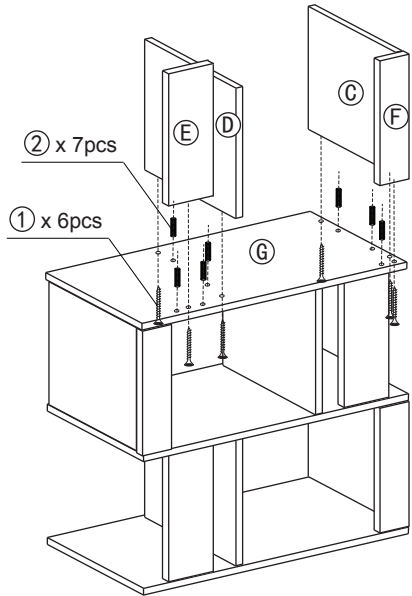


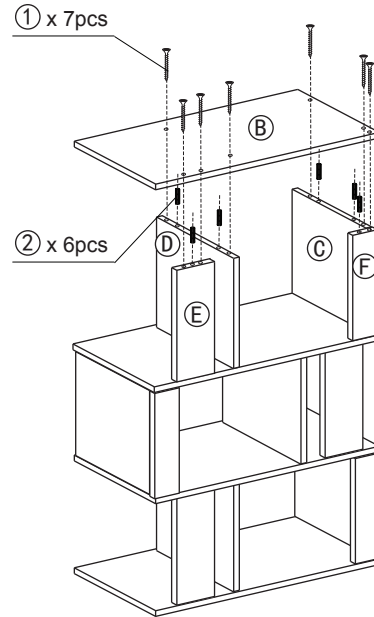
STEP 7

Attach another Side Panel (C), Back Support Panel (F), Divider Panel (D), Back Panel 1 (E) to Upper Shelf Panel (G) using Screw (1) & Wood Dowel (2), as shown.

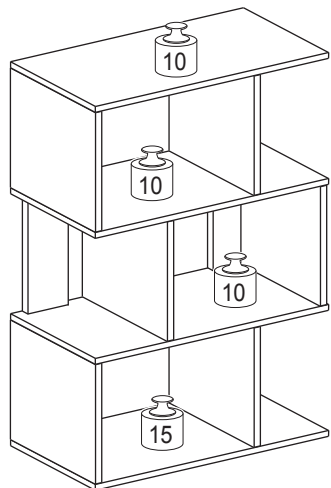


STEP 8

8.1 Attach Top Panel (B) to assembled unit using Screw (1) & Wood Dowel (2).
8.2 Cover screw head with Sticker (3).



Recommended Maximum Weight



*Unit in Pound(lbs)

WARNING:

>This unit has been designed to support the maximum loads shown. Exceeding these load limits could cause sagging, instability, product collapse, and/or serious injury.

>DO NOT allow children to climb on unit.

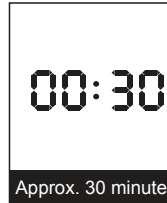
>Put heavier items on lower shelves.



Assembly Instruction

Furinno Simply Modern Open 3-Tier Open Book Shelf

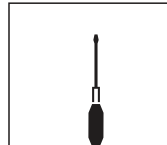
MODEL : **FR16120**



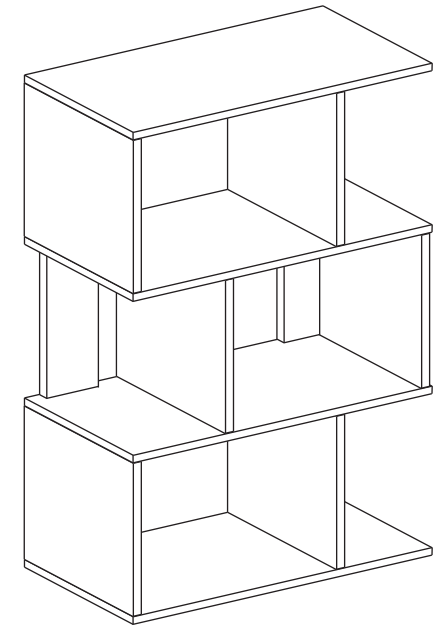
Approx. 30 minutes



Recomm. 2 Person



Tool Required















Customer Support

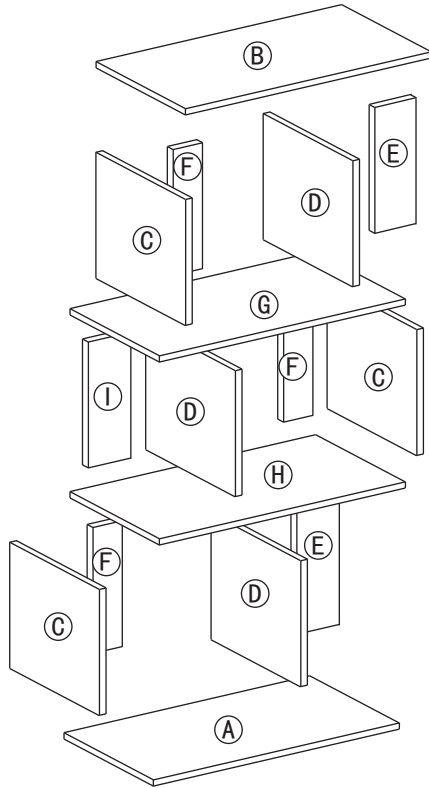
NEED HELP? For help with assembly, or if you are missing a part, please call Furinno Customer Service, 1-773-299-8111 from Mon-Fri, 9am-5pm (CST) or email: support@furinno.com

www.furinno.com



No	Hardware List	Qty
1	Screw 	44pcs
2	Wood Dowel 	40pcs
3	Stickers 	19pcs

No	Parts List	Qty
A	Bottom Panel 	1pc
B	Top Panel 	1pc
C	Side Panel 	3pcs
D	Divider Panel 	3pcs
E	Back Panel 1 	2pcs
F	Back Support Panel 	3pcs
G	Upper Shelf Panel 	1pc
H	Lower Shelf Panel 	1pc
I	Back Panel 2 	1pc

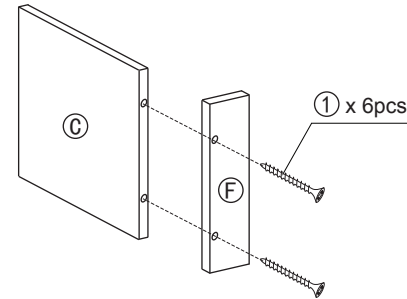


USEFUL HINTS BEFORE YOU START:

1. Read each step carefully before starting.
2. It is important that each step is performed in correct order to avoid difficulties.
3. Identify, sort and count the parts before assembly.
4. Assemble your furniture on packaging cardboard to prevent scratch or damage.
5. Clean the product with mild cleanser using soft damped cloth. Do not use harsh or abrasive cleanser.
6. Using incompatible hardware might cause damage to product.

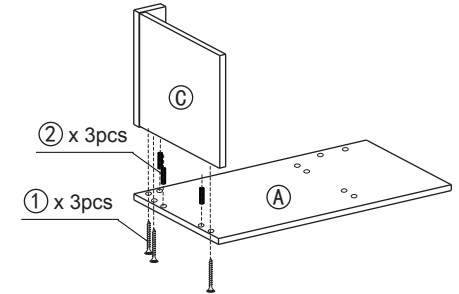
STEP 1

Attach Side Panel (C) to Back Support Panel (F) using Screw (1) as shown.



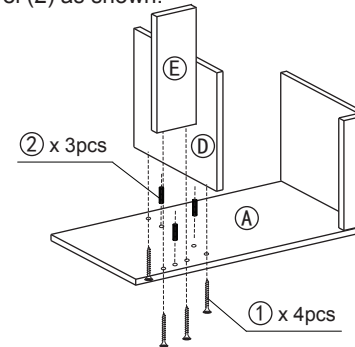
STEP 2

Attach Bottom Panel (A) to assembled unit using Screw (1) & Wood Dowel (2) as shown.



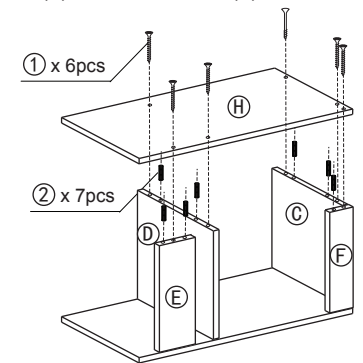
STEP 3

Attach Divider Panel (D), Back Panel 1 (E) to Bottom Panel (A) using Screw (1) & Wood Dowel (2) as shown.



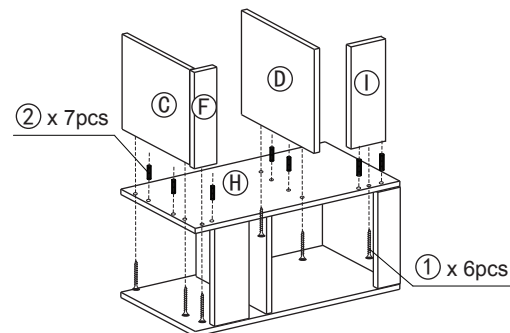
STEP 4

Attach Lower Shelf Panel (H) to assembled unit using Screw (1) & Wood Dowel (2) as shown.



STEP 5

Attach another Side Panel (C), Back Support Panel (F), Divider Panel (D), Back Panel (I) to Lower Shelf Panel (H) using Screw (1) & Wood Dowel (2) as shown.



STEP 6

Attach Upper Shelf Panel (G) to assembled unit using Screw (1) & Wood Dowel (2) as shown.

