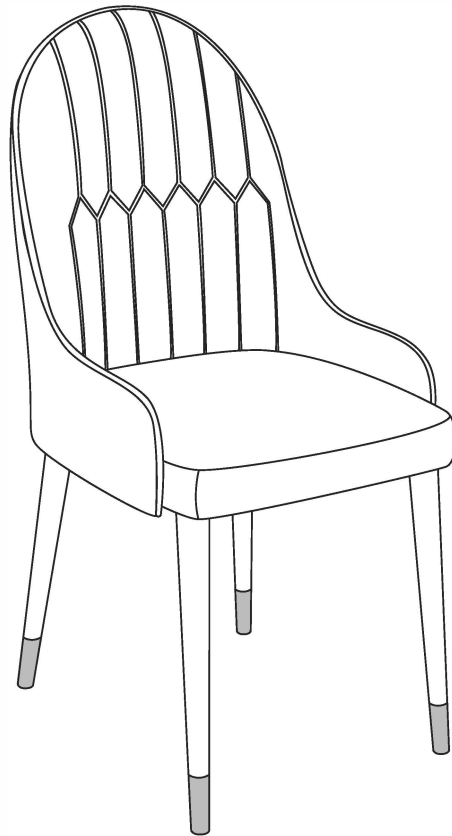


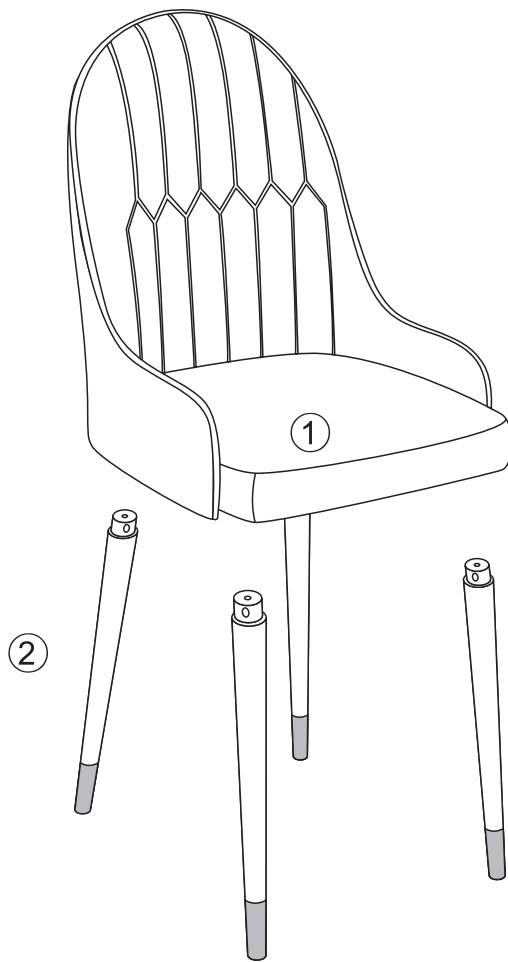
Dining Chair



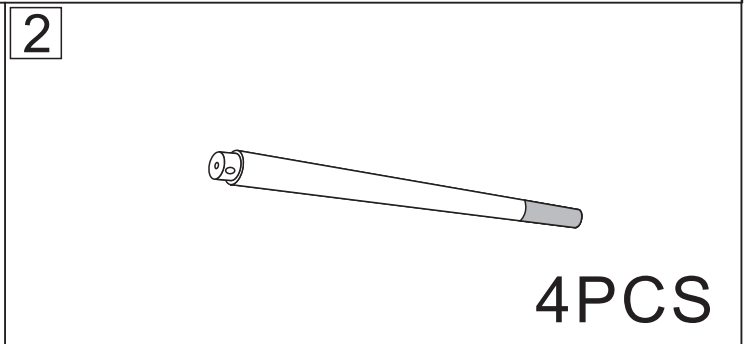
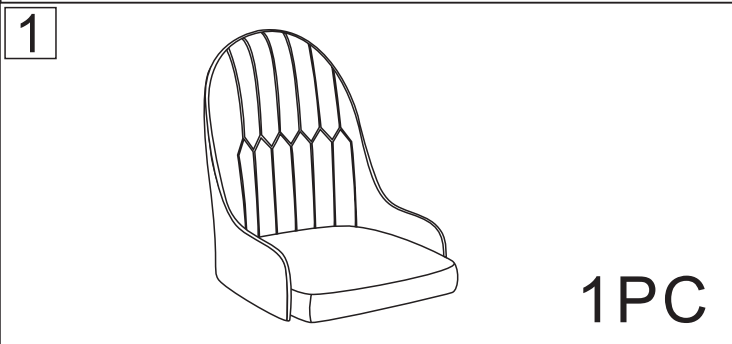
2 Persons


Installation Instructions

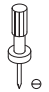
Notes: Don't tighten screws completely at first, just in case parts were assembled wrongly and need disassemble. Tighten screws at last when all parts are put together.



Disassembly and installation of accessories

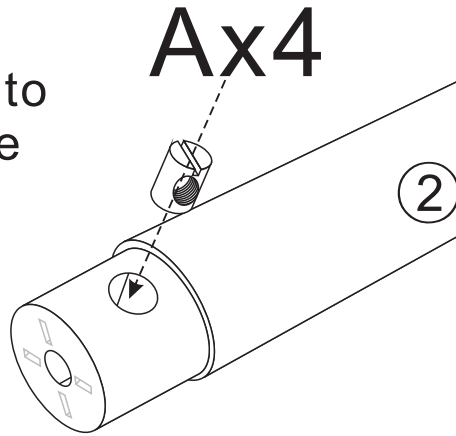



A	4PCS
	
15*10mm	


Tools Recommended

1

▲ Put the nut in to the hole of the chair foot



A	4PCS
	
15*10mm	

2

