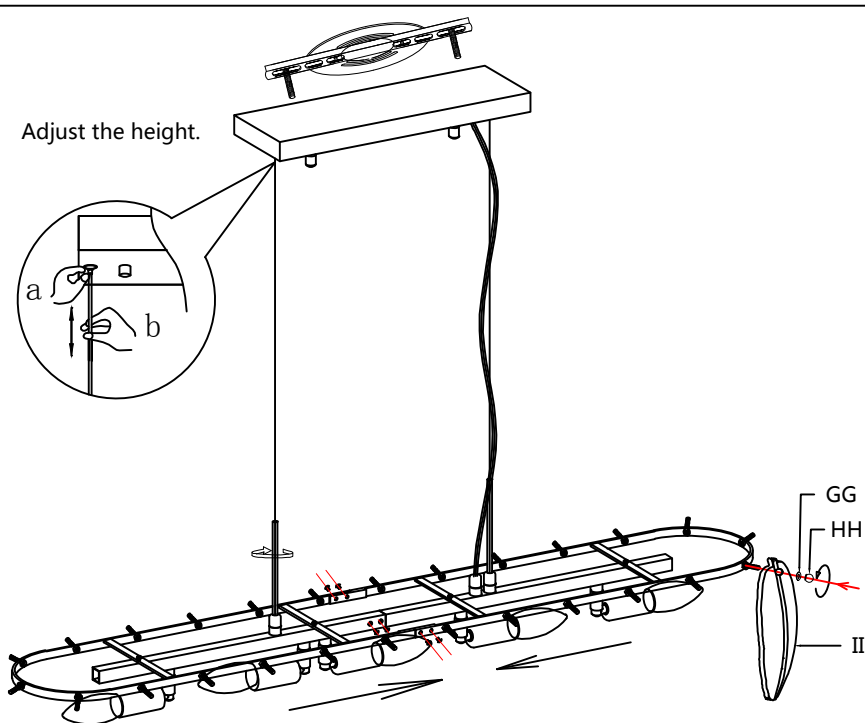


INSTALL BULBS AND CRYSTAL



Step 1: Install the E12 bulbs(not included).

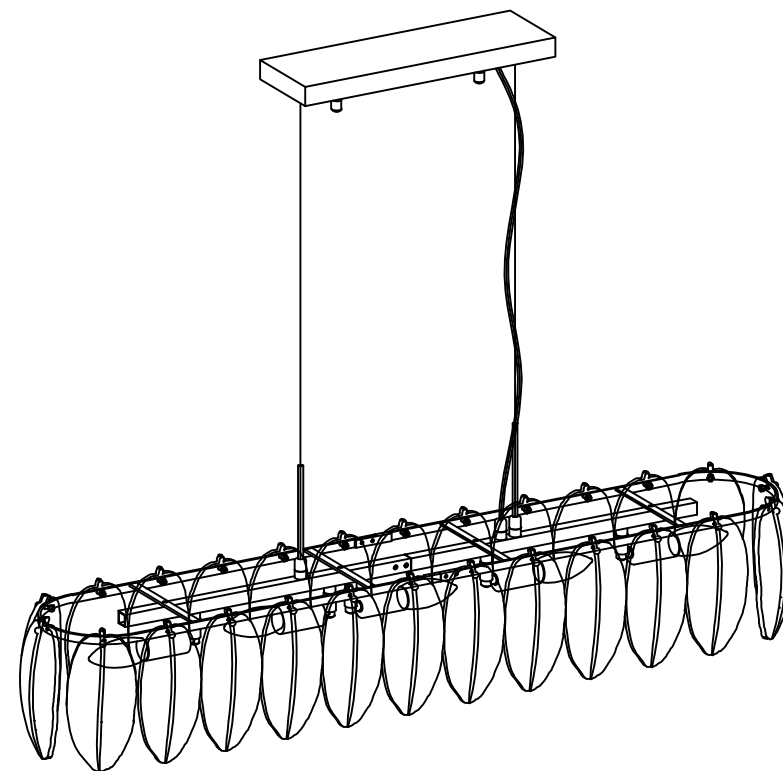
NOTE:



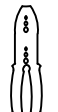
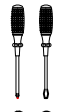
This Lamp uses E12 bulbs base and can only be used in conjunction with LED bulbs up to 40W. Fully dimmable when used with dimmable bulbs and compatible dimming switches(not included).

Step 2: Insert the Feather Glass (II) into the tooth bar of the Fixture Body (C) and secure it with a Plastic Gasket (GG)/M4 bead (HH).

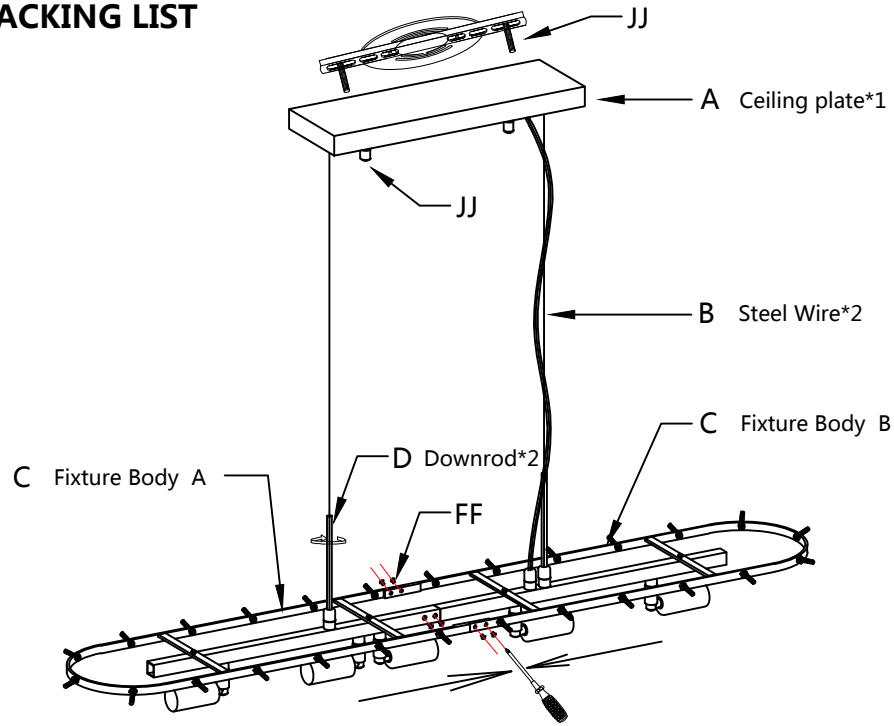
INSTALLATION MANUAL

CHANDELIER



TOOLS REQUIRED	 Ladder	 Pliers	 Wire Strippers	 Screwdrivers

PACKING LIST



INSTALLATION KIT

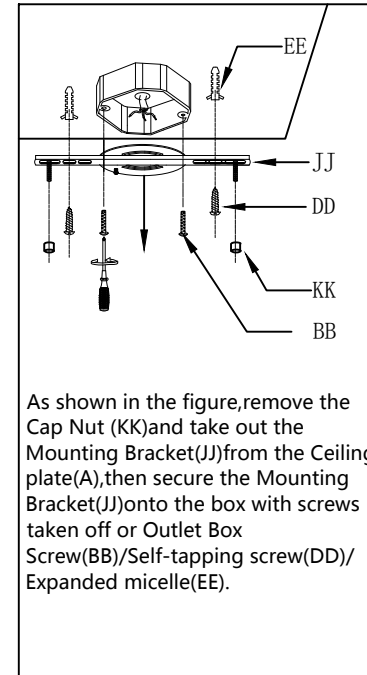
AA	3X	BB	2X	CC	1X	DD	2X	EE	2X
Wire nut		Outlet box screw		Ground screw		Self-tapping screw		Expanded micelle	
FF	8X	GG	26X	HH	26X	II	26X	JJ	1X
M4 Screw		Plastic gasket		M4 bead		Feather glass		Mounting Bracket	
KK	2X	LL	1X	MM		NN		OO	
Cap Nut		Gloves							

NOTE:

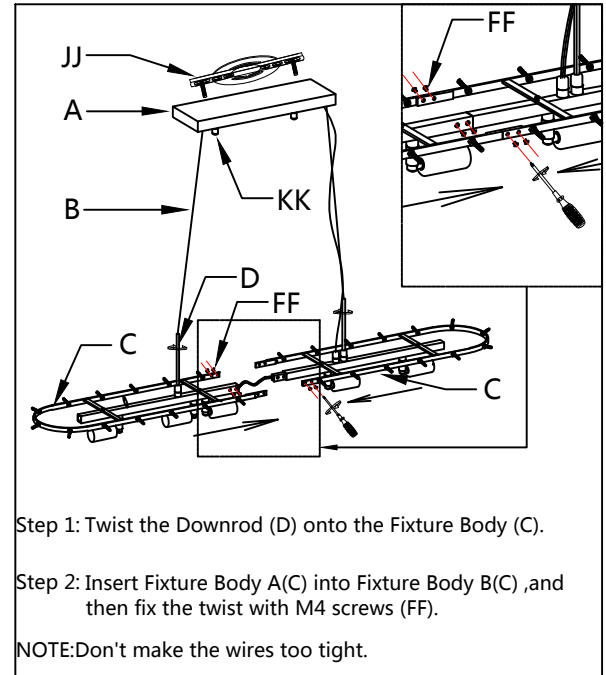
1. Have already been pre-installed together with Ceiling plate(A).
2. II have one spare part for back-up.

MOUNTING AND WIRING

1. Install the Mounting Bracket



2. Pass the Wires



3. Connect the wires

