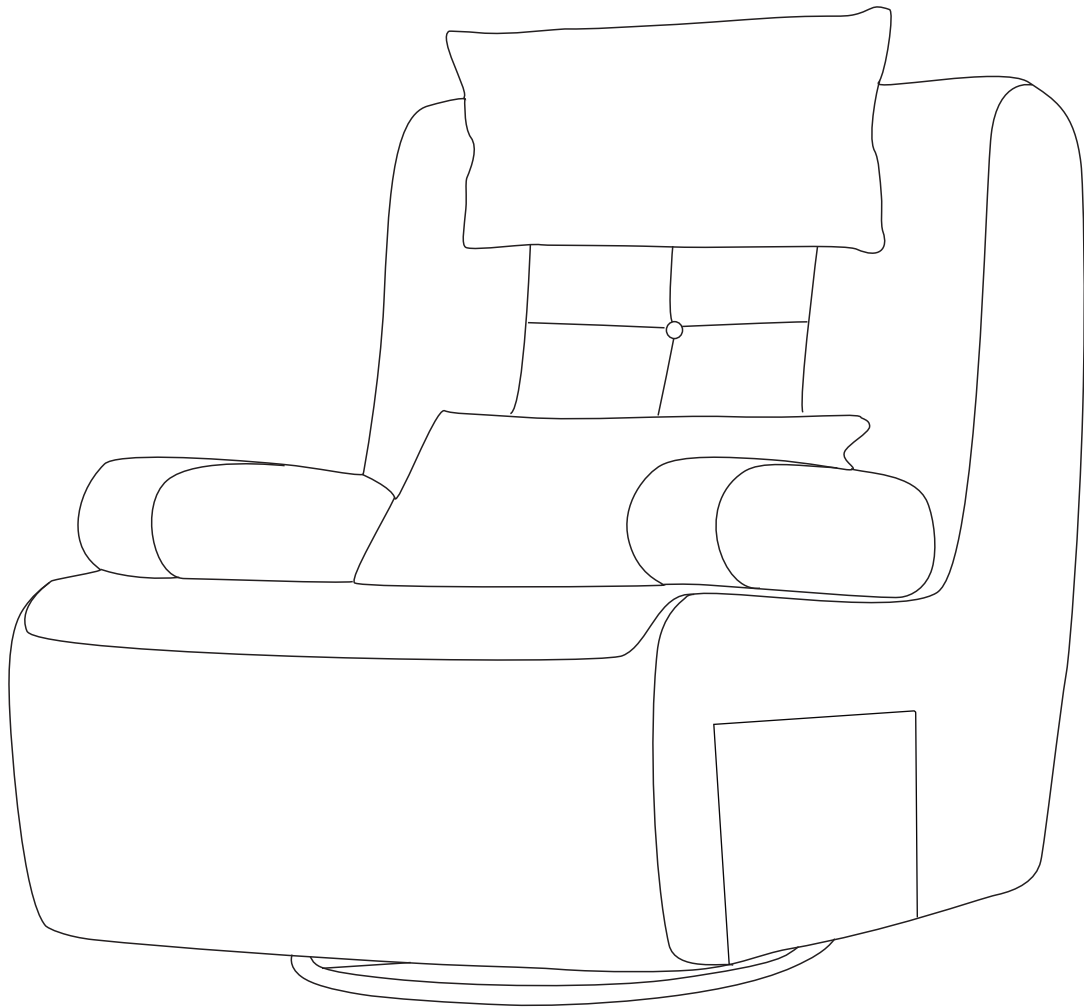


# INSTRUCTION MANUAL

## Sofa



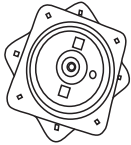

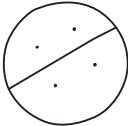
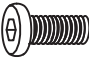




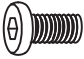
✉ Customer Service Email: [supportmanager@163.com](mailto:supportmanager@163.com)

ⓘ Please read all the instructions in the manual carefully before installing and using the product



# Accessories list

Note: When your sofa arrives, please confirm all parts are included. If not, email us: [supportmanager@163.com](mailto:supportmanager@163.com)

Part	Qty	PCS
A	 Square turntable	1PC
B	 Semi-circular iron frames	1PC
C	 Round wooden board	1PC
D	 M6*18 bolts	4PC
E	 Washers	20PC
F	 Allen Wrench	2PC
G	 M6*15 Nut	8PC
H	 M6*28 bolts	4PC
I	 M6*12 bolts	4PC

## ✉ Where to Get Help:



Hello Friend,

Thanks for choosing our sofa

Our sofa comes with product warranty services.

If you have any other questions, please feel free to contacting us via [supportmanager@163.com](mailto:supportmanager@163.com) with your Order number.

Please do not worry, we will provide you with a satisfactory solution within 24 hours.

Thanks again for your support and understanding!

## ⚠ Before Assembly

1. Suggest that two people work together for installation and movement the sofa.
2. Keep this instruction manual for future reference
3. It is important to only use this product on a firm, level surface
4. Keep all small parts out of reach of children and animals
5. Make sure you have all the components, as listed in this instruction manual
6. Unpack and place the components on top of the empty box or on a clean floor to prevent them from becoming scratched
7. Make sure you have the right tools and a clean, dry and spacious area for assembly
8. Assemble on a flat/firm surface to avoid damage.
9. Assemble in the room you intend to use the sofa or as close as possible to that room
10. Carefully follow each assembly step in the correct order to prevent incorrect assembly
11. Before use, ensure that the product is fully assembled, and only then should the screws and bolts be fully tightened, but not over-tightened.
12. Do not discard any packaging until the product is fully assembled. This will avoid disposing of any parts
- 13 .Do not use or attempt to assemble this product if parts are missing, damaged, or worn.

## Important Safety Instructions

When using this sofa, basic precautions should always be followed, including the following:

1. Do not use outdoors.
2. Close supervision is necessary when this appliance is used by one or children, invalids, or disabled persons.
3. This unit is not a toy. Children should not use it or play with it.
4. Do not use near the eyes or other highly sensitive areas.
5. Do not bounce in your sofa

Use this appliance only for its intended use as described in this manual. Do not use attachments not provided with the unit.

## To Store & Move

1. Place the unit in its box or a safe, dry, cool place. Avoid contact with sharp edges or pointed objects, which might cut or puncture the fabric.
2. When you need to move the sofa, please use two people to lift it to avoid damaging the carpet when pushing it.

## To clean

1. Do not place in any liquid to clean. Clean fabric cover by wiping with a damp sponge, using a mild detergent or suds. Pat dry with a clean, dry cloth.
2. Do not use abrasive cleaners, brushes, gasoline, kerosene, glass furniture polish, paint Thinner, or water hotter than 120 °C to clean the unit.
3. To clean the unit, wipe it down with a damp, clean cloth. Do not use any strong chemical cleaners.

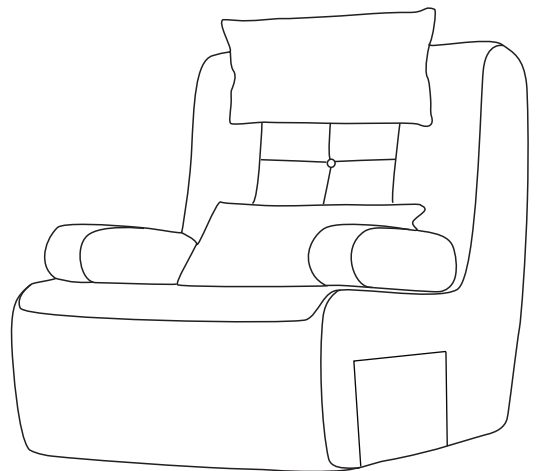
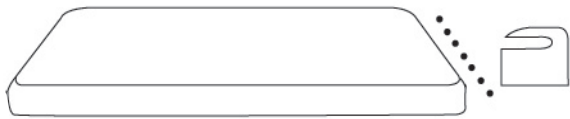
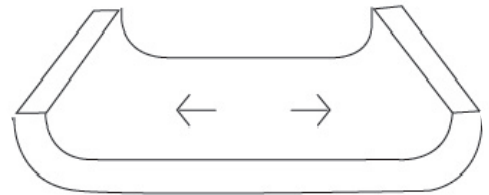
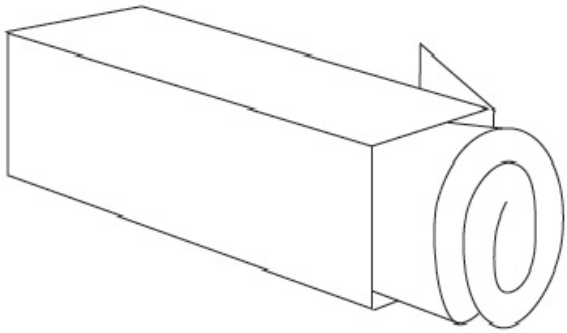
# ✂ Product Assembly

## Step 1

Take all parts and accessories from the packaging.

After unwrapping the wrapping film on the product, unfold the com-

Press the sofa and use the matching decompression tool to open the compression bag to decompress the sofa, to avoid cutting the sofa



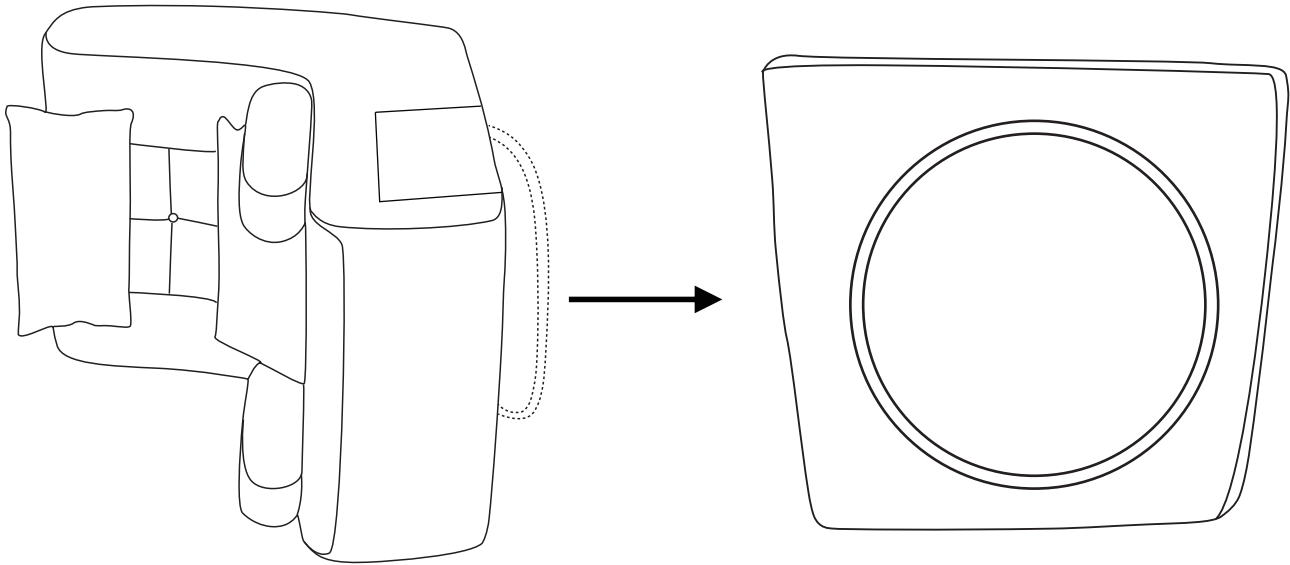
### ⚠ NOTE:

Do not use other knives to cut the stretch film

## Step 2

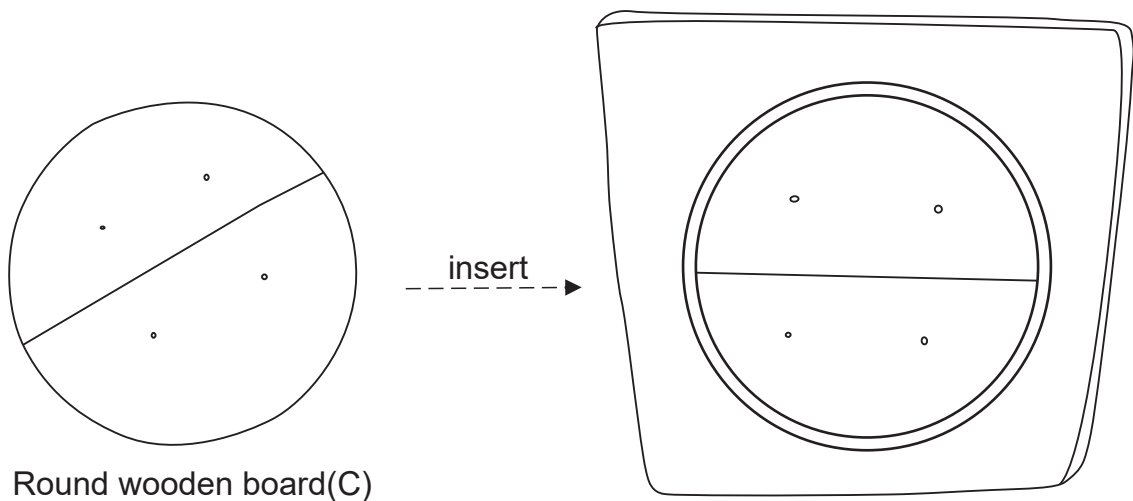


Turn the sofa out from the bottom and find a circular slot



## Step 3

Insert the round wooden board(C) into the round slot at the bottom of the sofa (you need to be patient and carefully put the round wooden board into the slot)



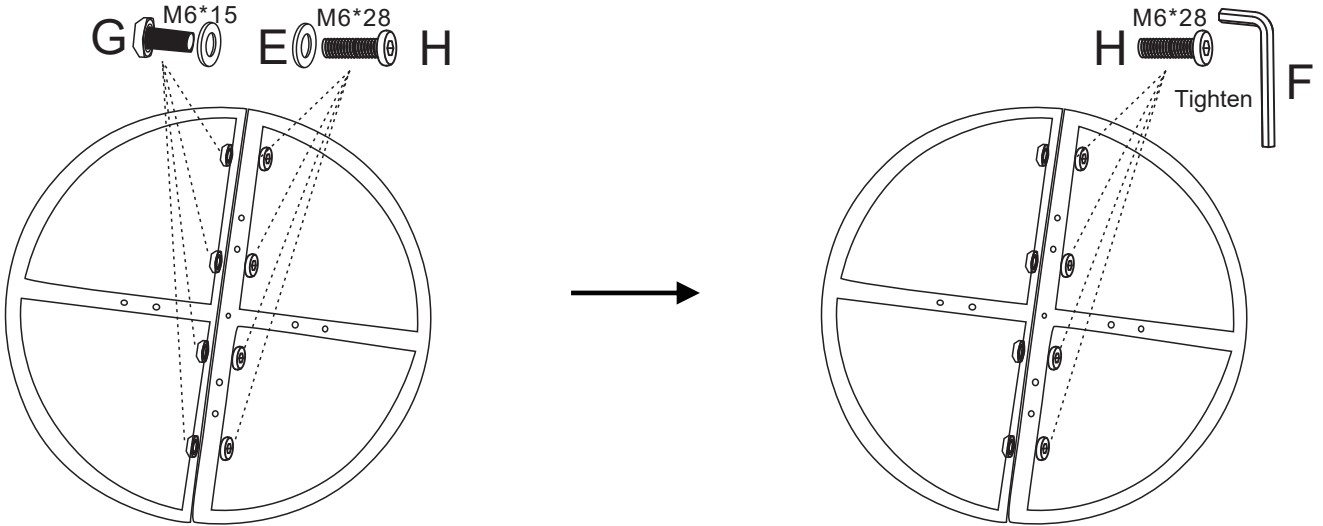
Round wooden board(C)

### NOTE:

- 1.Creases facing outwards, flat side facing inwards
- 2.Please make sure the round wooden board is fully engaged to prevent it from falling.

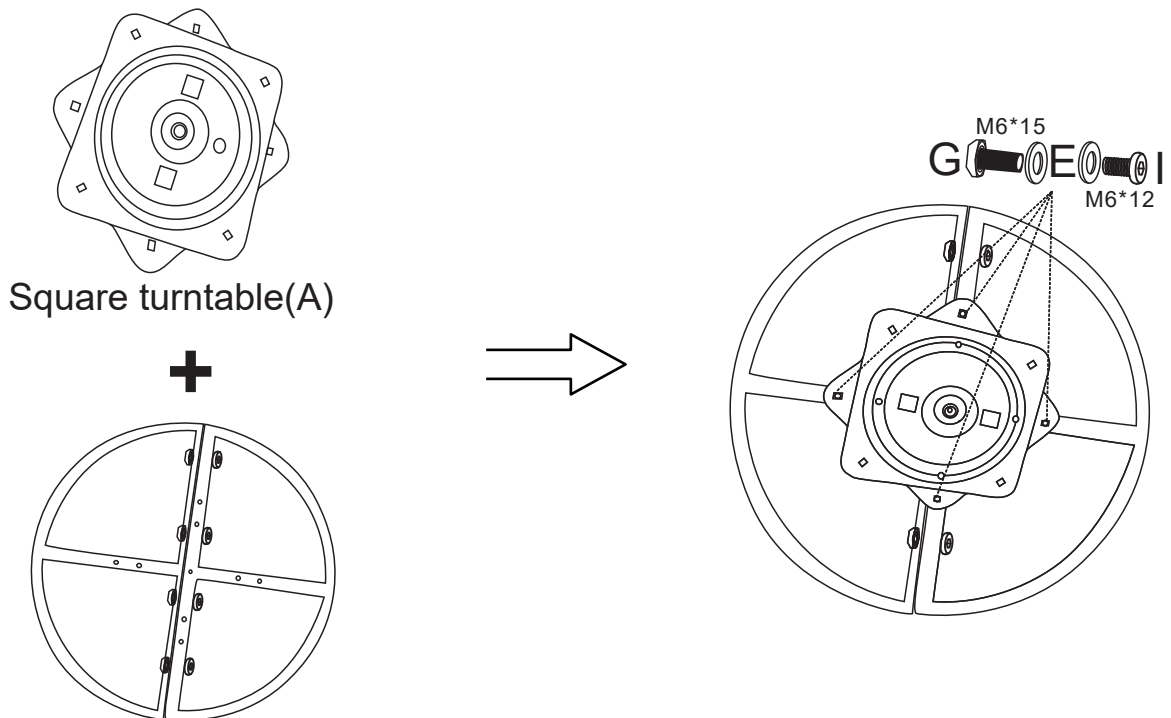
## Step 4

Assembling the iron frames: First, unwrap the wrapping cloth from the iron frames. Assemble the two semicircular iron frames (B). Install the eight washers (E) into the four M6\*28 screws (H) and four M6\*15 nuts (G). Align the screw holes and tighten the screws (H) with the Allen wrench (F).



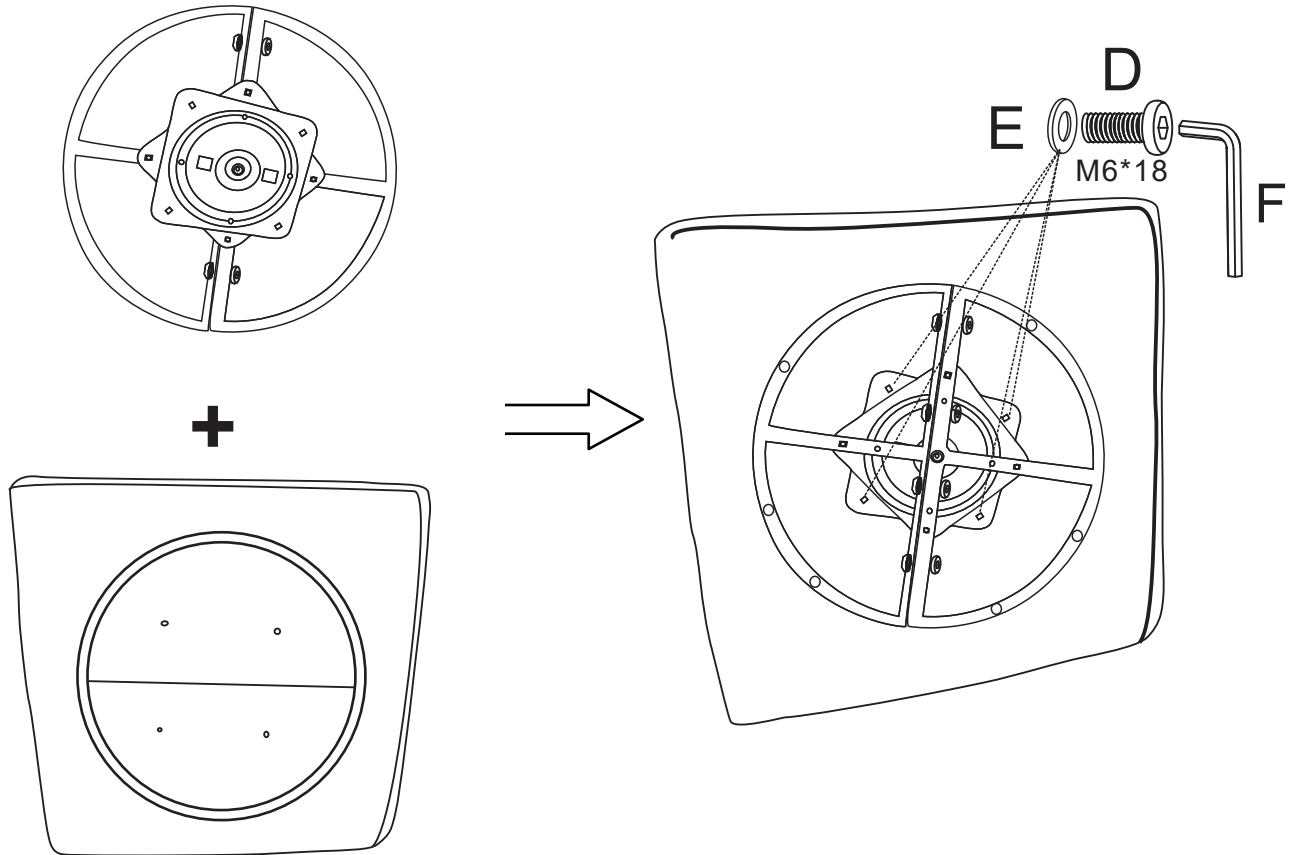
## Step 5

Take the square turntable (A) and open it as shown. Invert the open turntable and the assembled circular iron frame. Install 4 M6\*15 nuts (G) and 4 M6\*12 screws (I) with 8 washers (E). Align the screw holes and tighten with an Allen wrench (F).

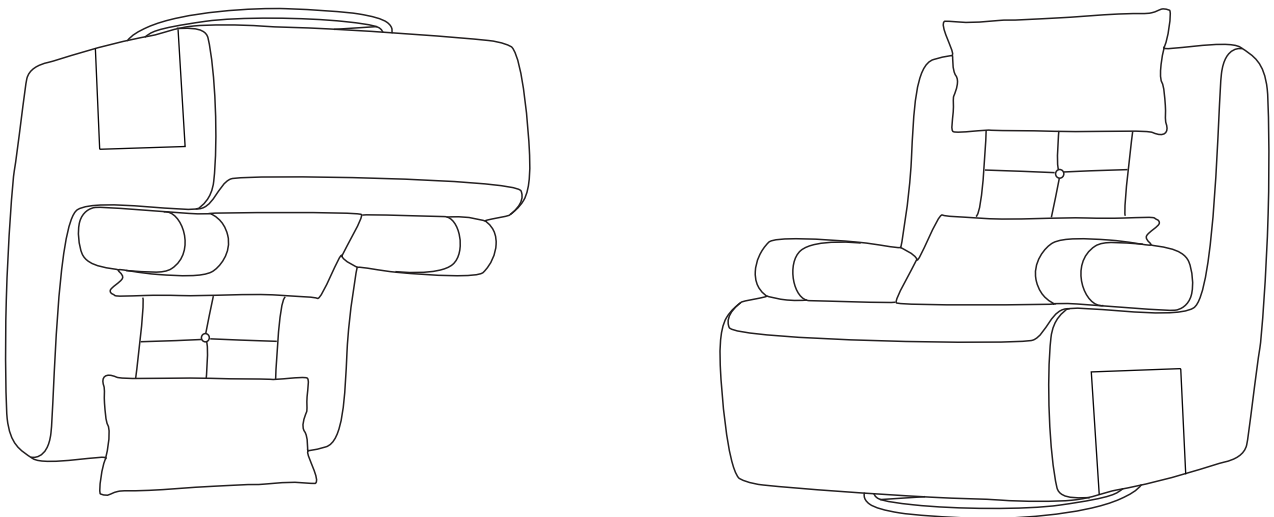


## Step 6

Align the assembled iron frame turntable with the screw holes on the round wooden board (C) on the sofa base. Use an Allen wrench (I) to install four M6\*18 screws (D) with washers (E) and screw them into the sofa base



**Step 7** Carefully flip the sofa over (being careful not to touch the feet).

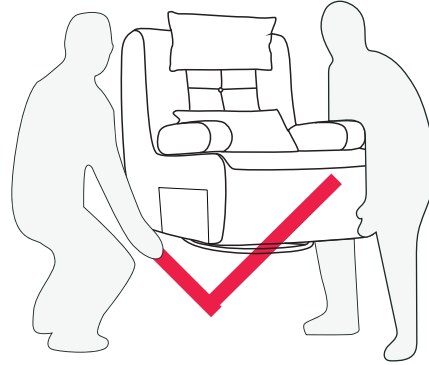


## ⚠ Tips

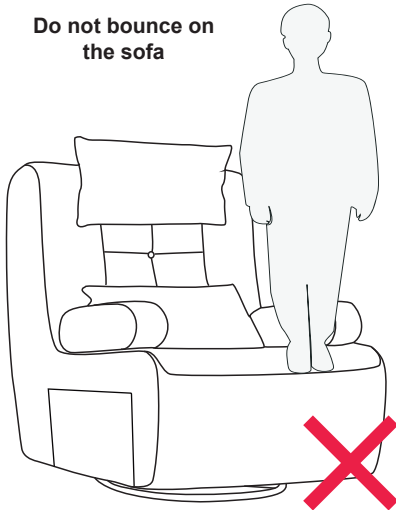
It takes 72 hours to fully expand. Suggest waiting 72 hours for it to fully expand before use.

# Warning

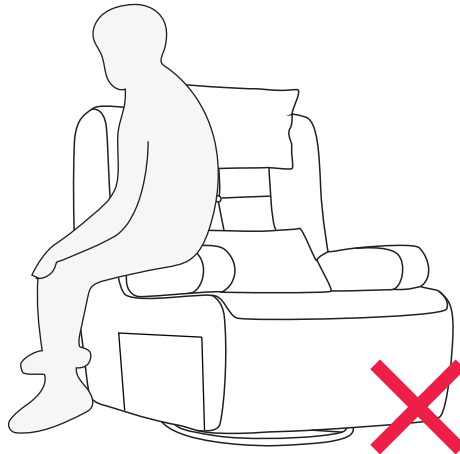
## Suggest a 2-person move



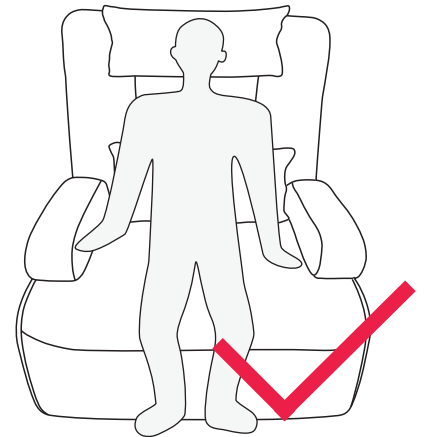
Do not bounce on the sofa



Do not sit on or press the sofa.



Suggest sitting in the middle of the sofa.



### ⚠ NOTE:

1. Make sure all bolts and screws are fully tightened before using the sofa.
2. Lubricate all moving parts and tighten all bolts/screws every 6 months or whenever needed

### AWARNING:

To ensure proper assembly, follow all steps and use all part.  
Failure to follow this warning can result in serious injury to yourself or others

## Frequently Asked Questions

Q1: What is the weight limit?

A: 440 Lbs/200 kg.

Q2: Where can I get installation instructions?

A: You can also contact us if you need an electronic instruction document or further assistance.

Q3. How long does it take for the seat to fully expand?

A: After 72 hours, the seat will fully expand.

Q4:Can I complete the installation independently?

A: Suggest that two people work together for the installation

Q5: If the screws are not aligned with the holes during installation, how can I adjust them?

A: You can put the screws into the corresponding holes first and tighten them halfway.And then fully tighten all the screws after the screws are set.

Q6: What should I do if the package is lacking or damaged some components?

A: Please feel free to contact us for prompt help