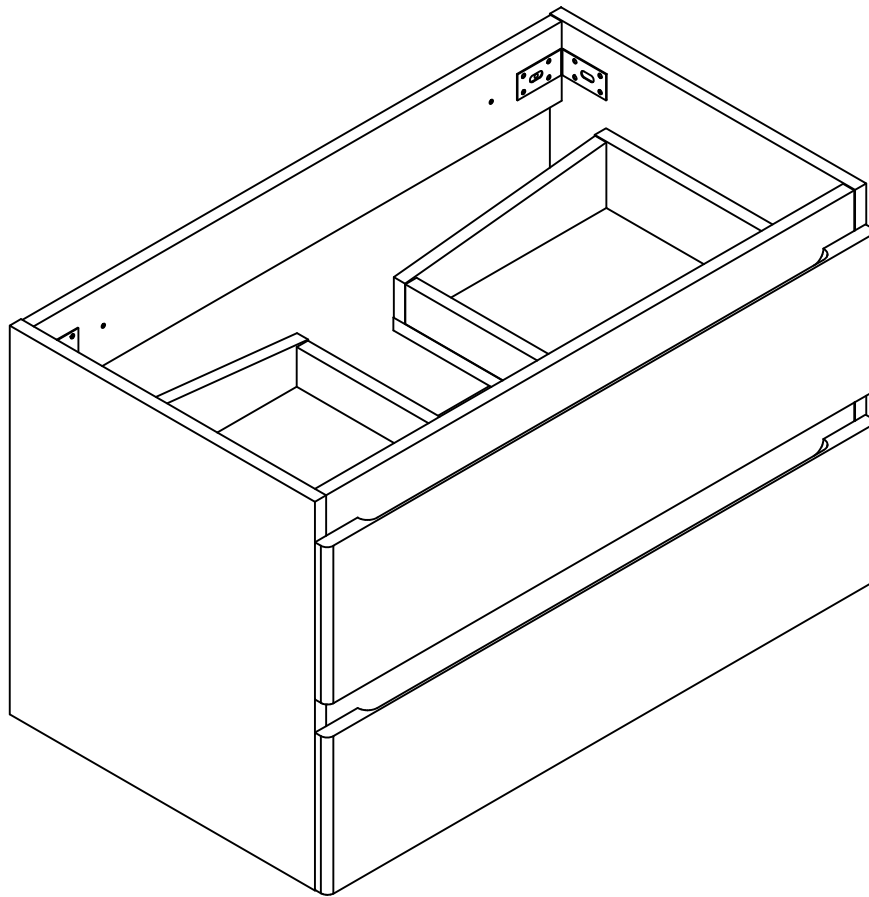


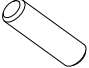

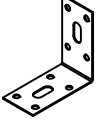
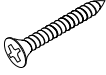
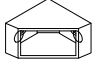
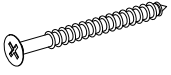

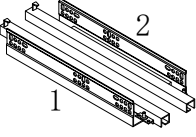
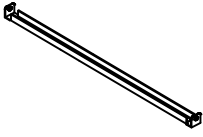


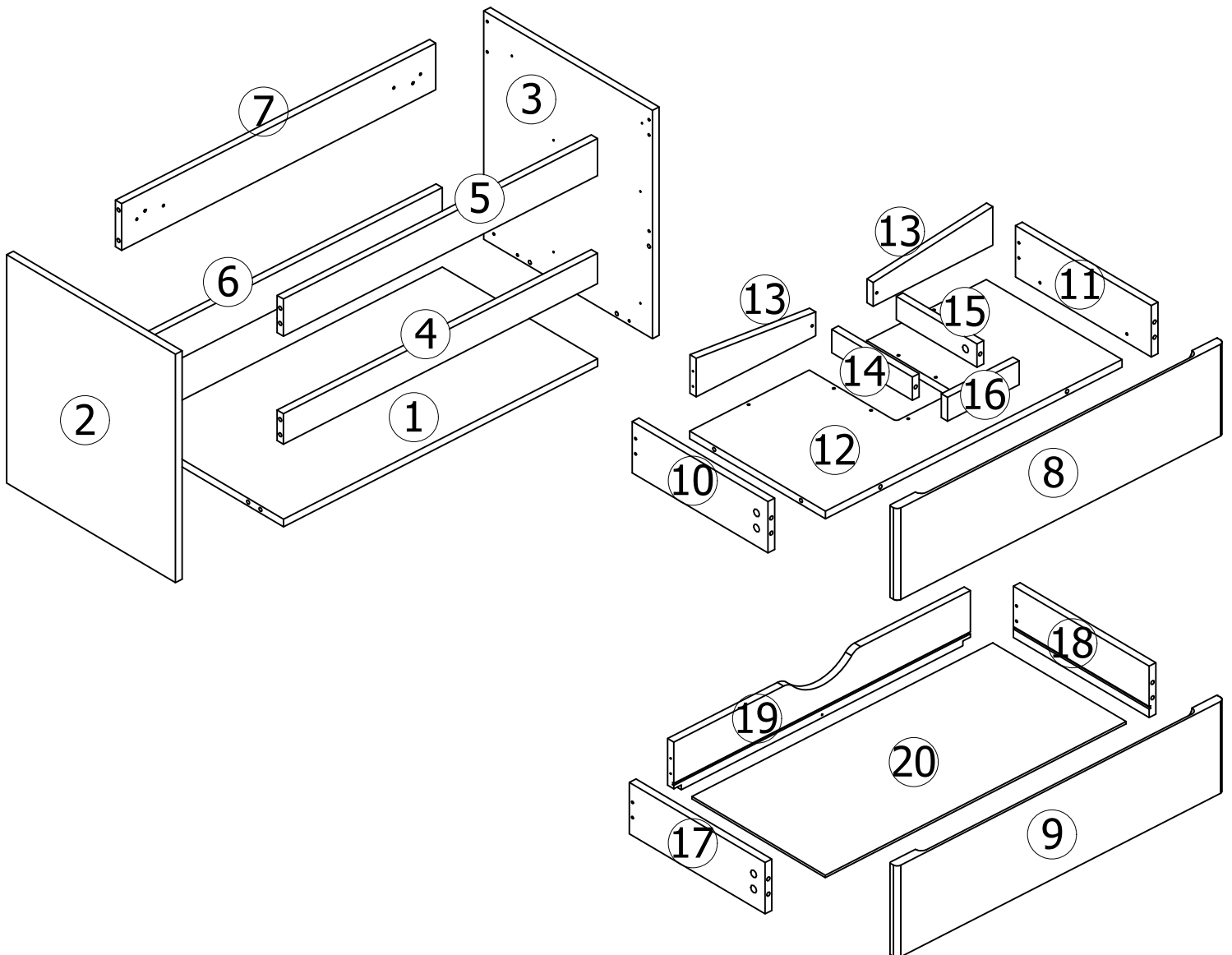
80H 2DRAWER

Assembly Instructions



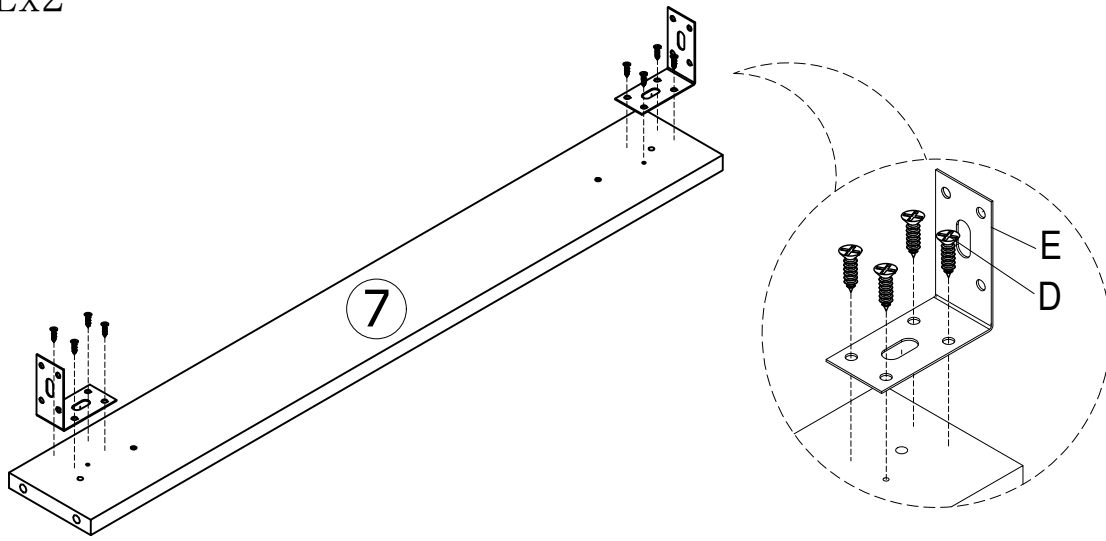
Assembly Instructions

<p>Ø15x12</p>  <p>A x 36</p>	<p>Ø7x35</p>  <p>B x 36</p>	<p>Ø8x30</p>  <p>C x 6</p>	<p>Ø3.5x14</p>  <p>D x 42</p>
<p>64x64x33</p>  <p>E x 2</p>	<p>Ø4x40</p>  <p>F x 18</p>	 <p>G x 2</p>	<p>Ø5x70</p>  <p>H x 4</p>
<p>Ø7.8x38</p>  <p>I x 4</p>	<p>14"</p>  <p>J x 2</p>	 <p>K x 1</p>	



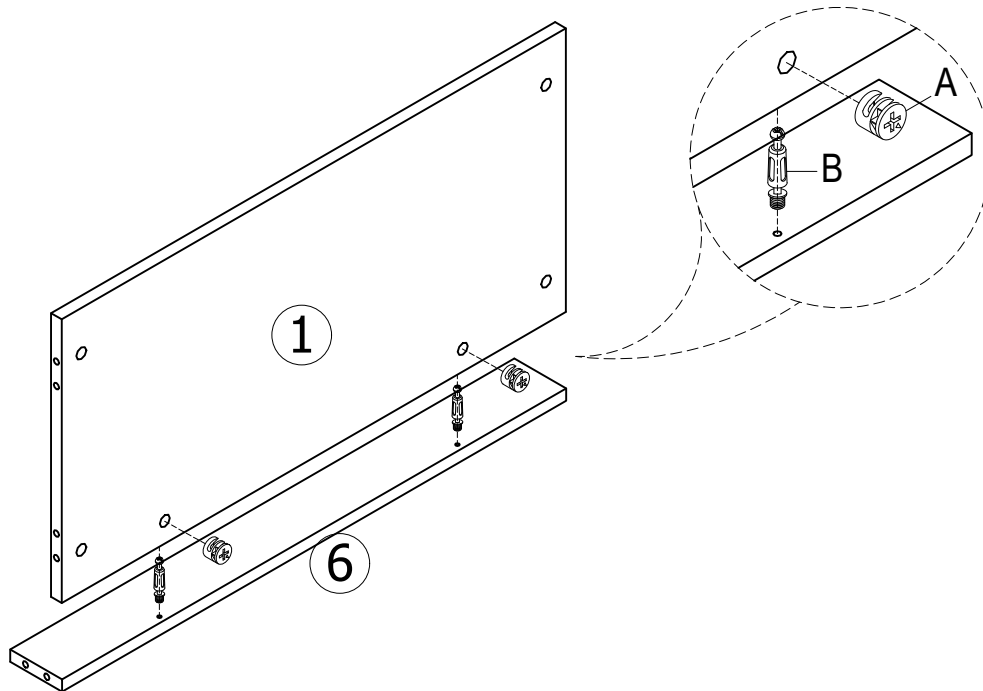
STEP 1

Dx8
Ex2



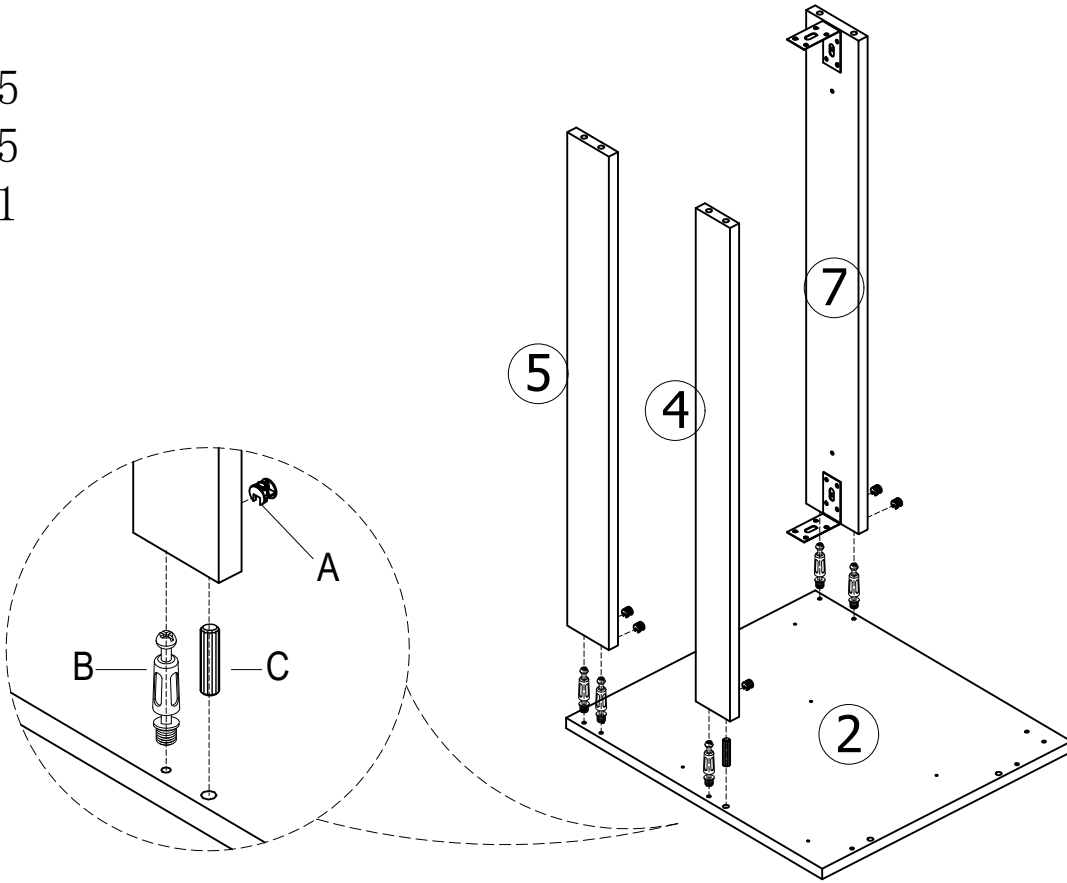
STEP 2

Ax2
Bx2



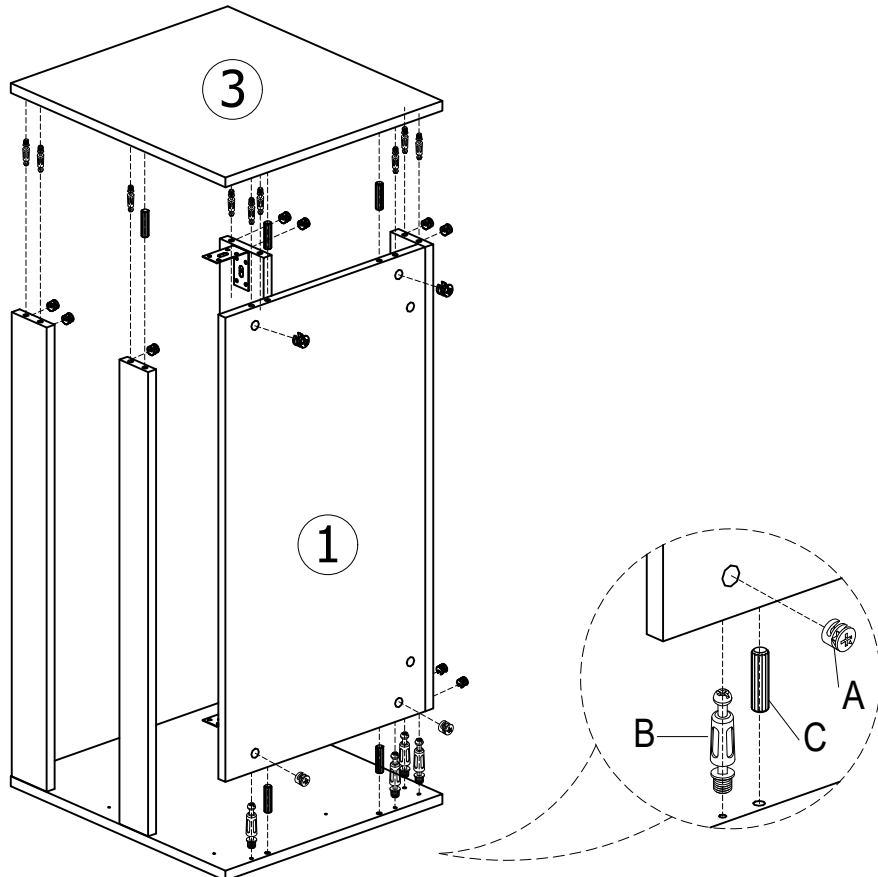
STEP 3

Ax5
Bx5
Cx1



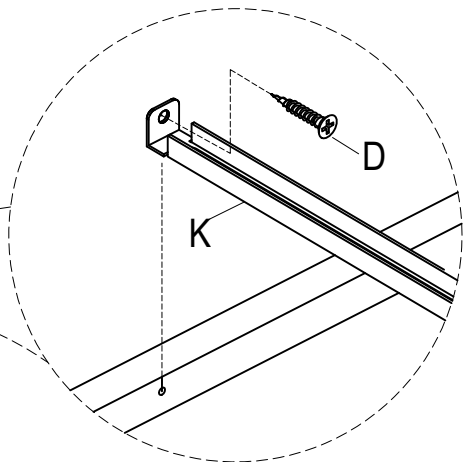
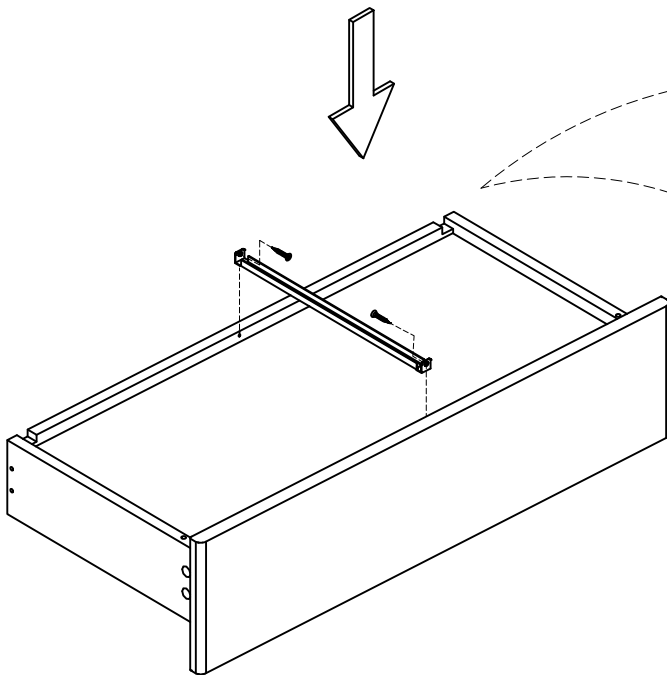
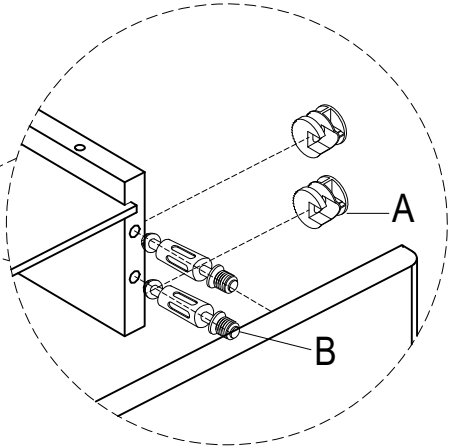
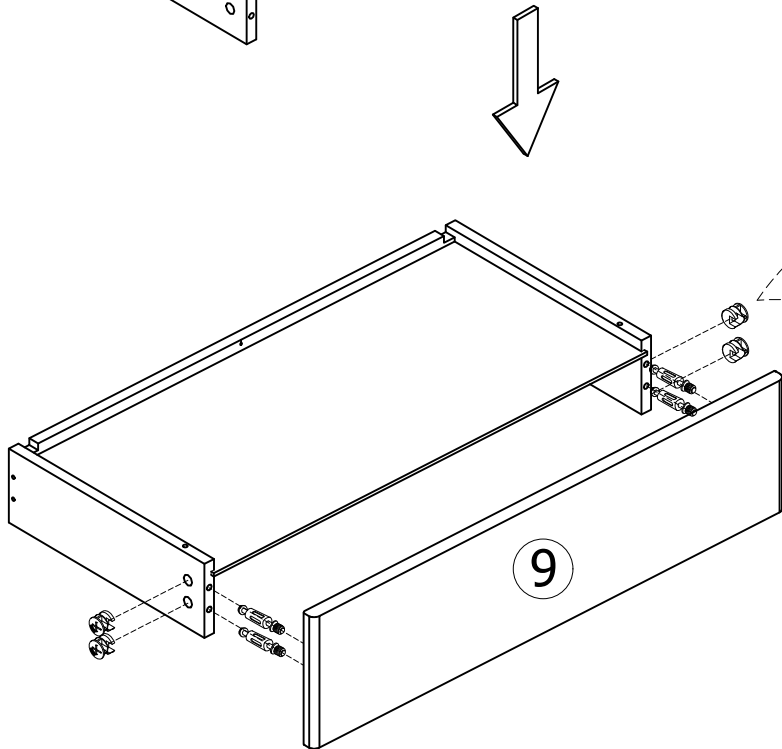
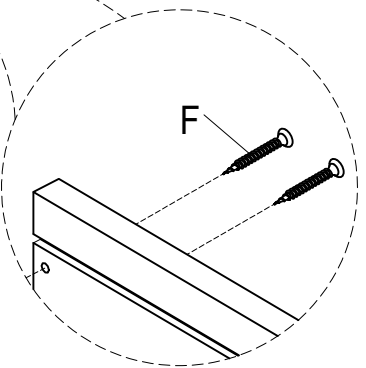
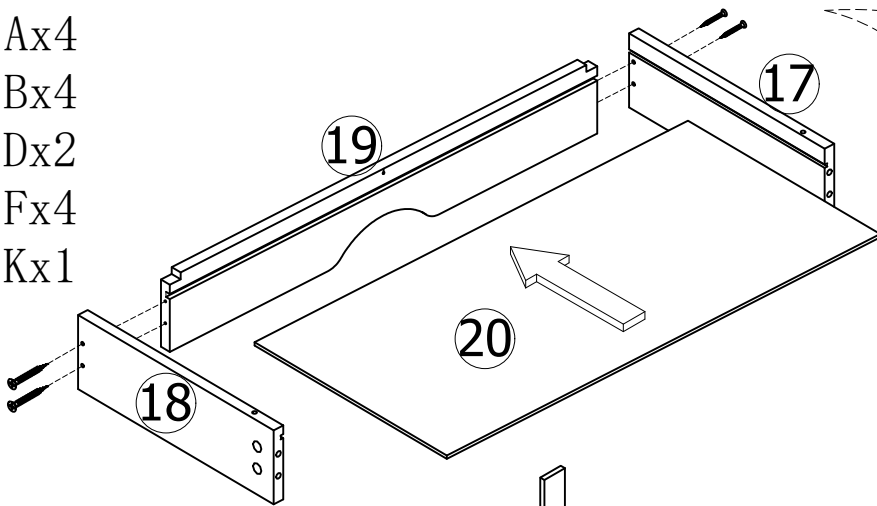
STEP 4

Ax13
Bx13
Cx5



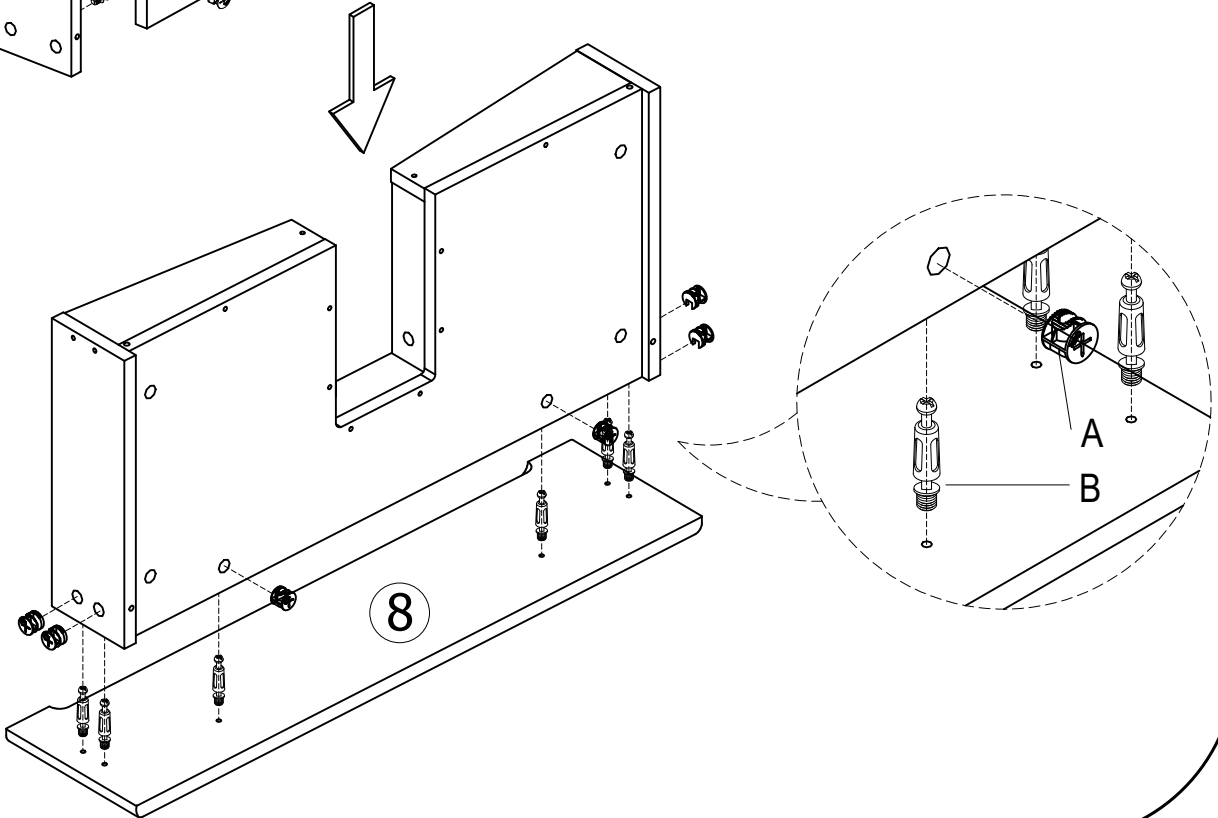
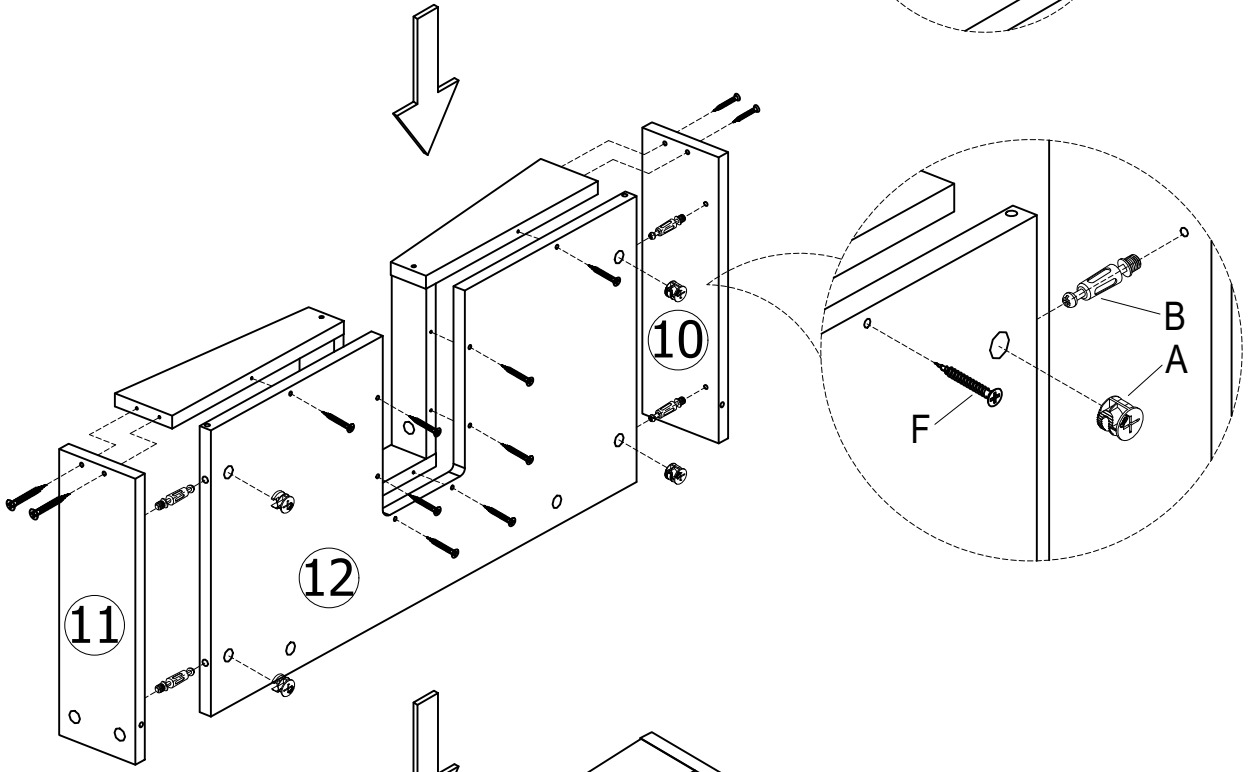
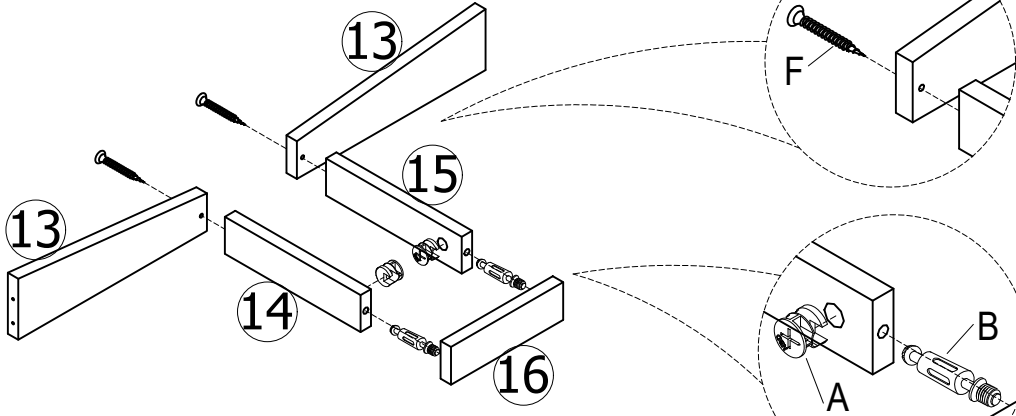
STEP 5

- Ax4
- Bx4
- Dx2
- Fx4
- Kx1



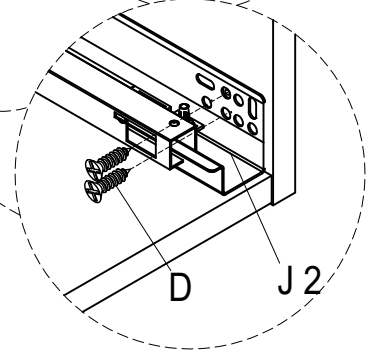
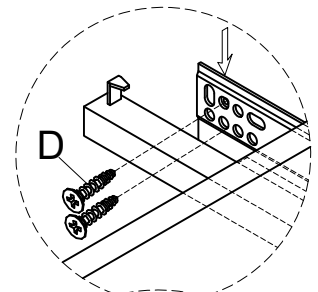
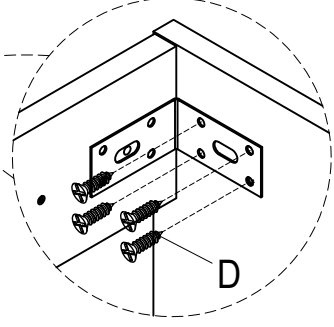
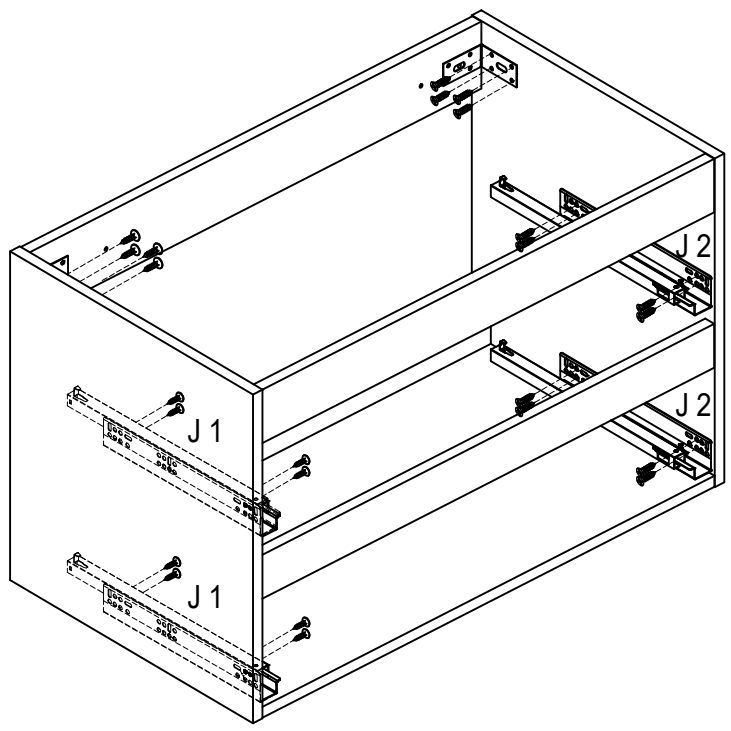
STEP 6

Ax12
Bx12
Fx14



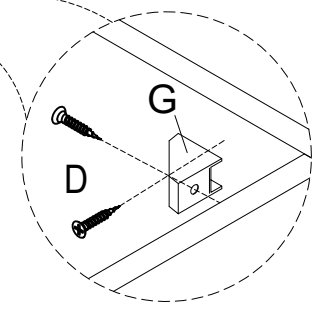
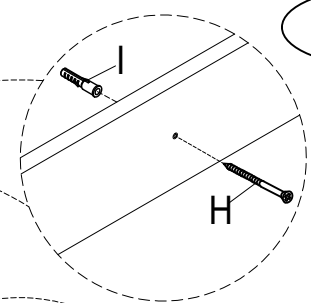
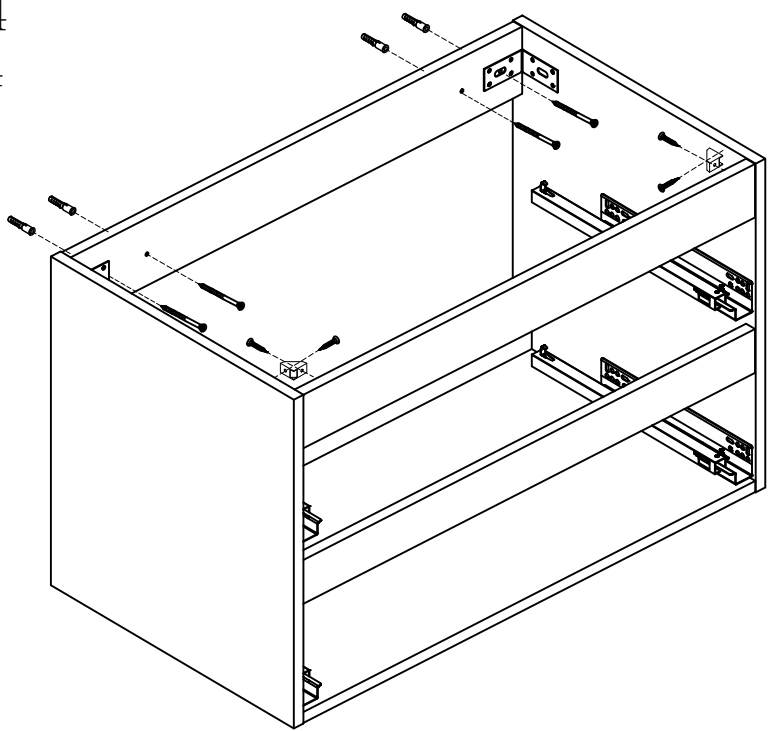
STEP 7

Dx24
Jx2

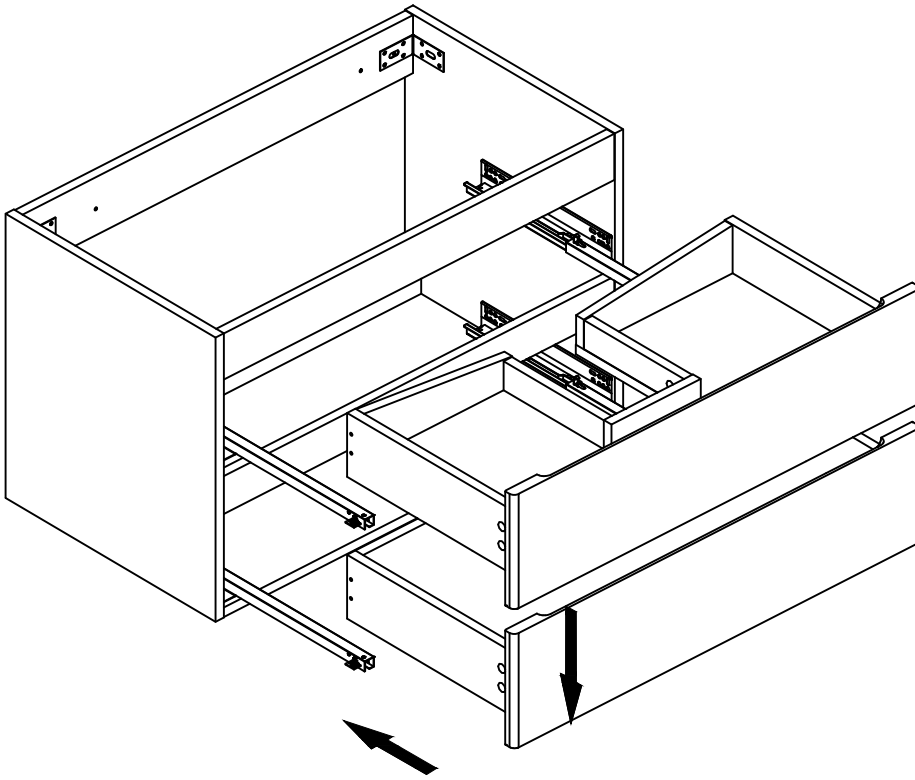


Dx4
Gx2
Hx4
Ix4

STEP 8

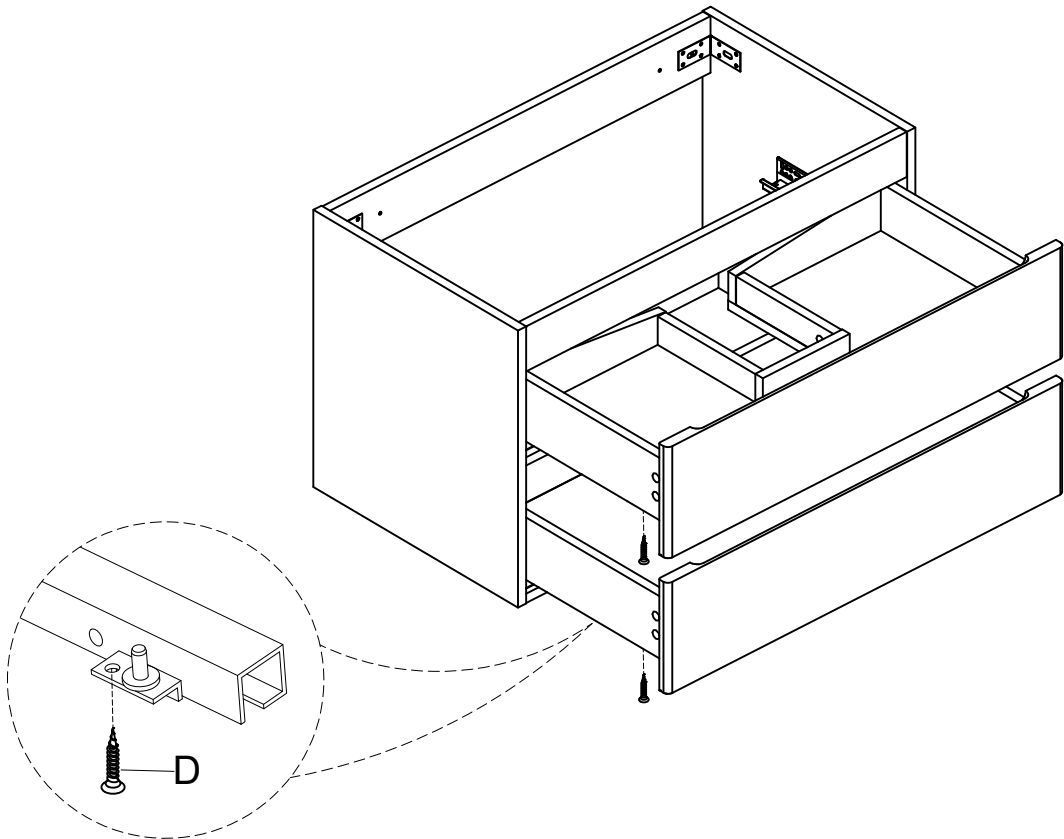


STEP 9

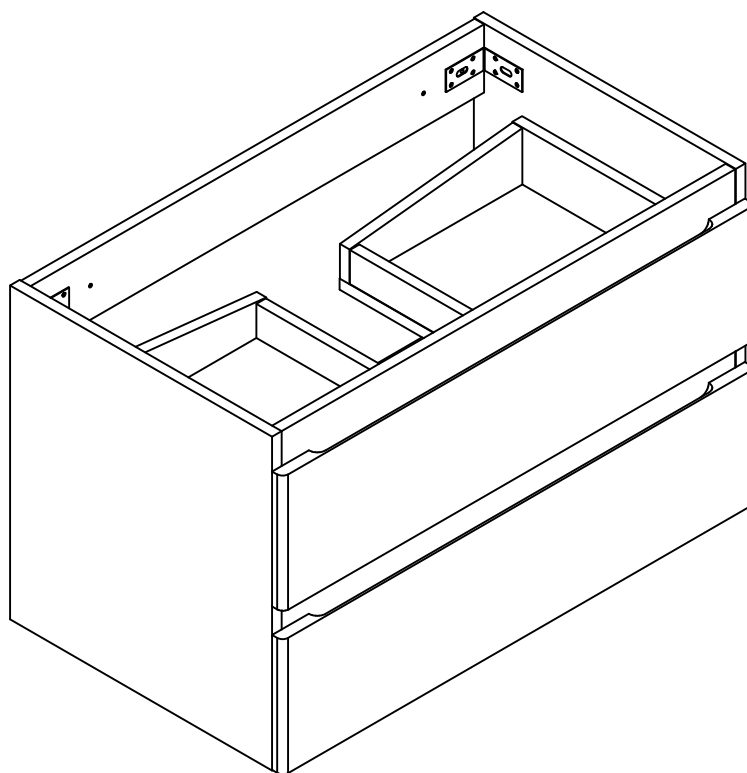


STEP 10

Dx4



Dx4
Gx2
Hx4
Ix4



FINISH