









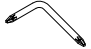
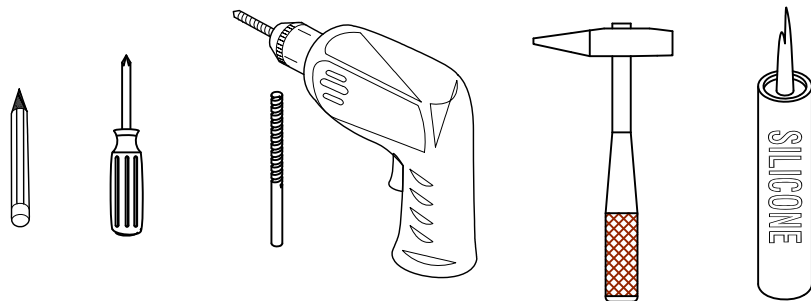


# Item NO.:BV B03524 / BV B03530 / BV B03536

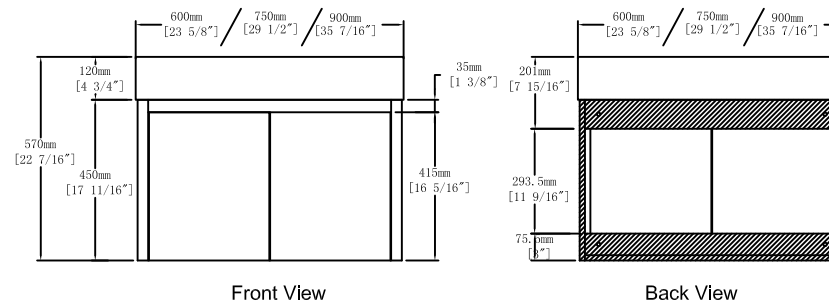
## Hardware

NO.	Draw	QTY	NO.	Draw	QTY
A	 Screws Ø4x14mm	44	F	 Screws for fix on the wall	4
B	 Two-in-one connector	17	G	 Bracket (53x70x44mm)	2
C	 Two-in-one connector	17	H	 Bracket (19x19x35mm)	2
D	 Wood plug	4	I	 Hinges ( Internal hiding )	4
E	 Plastic anchor(Ø10mm)	4	J	 Anti-collision gasket	4
			K	 Screwdriver	1

## Recommended tools



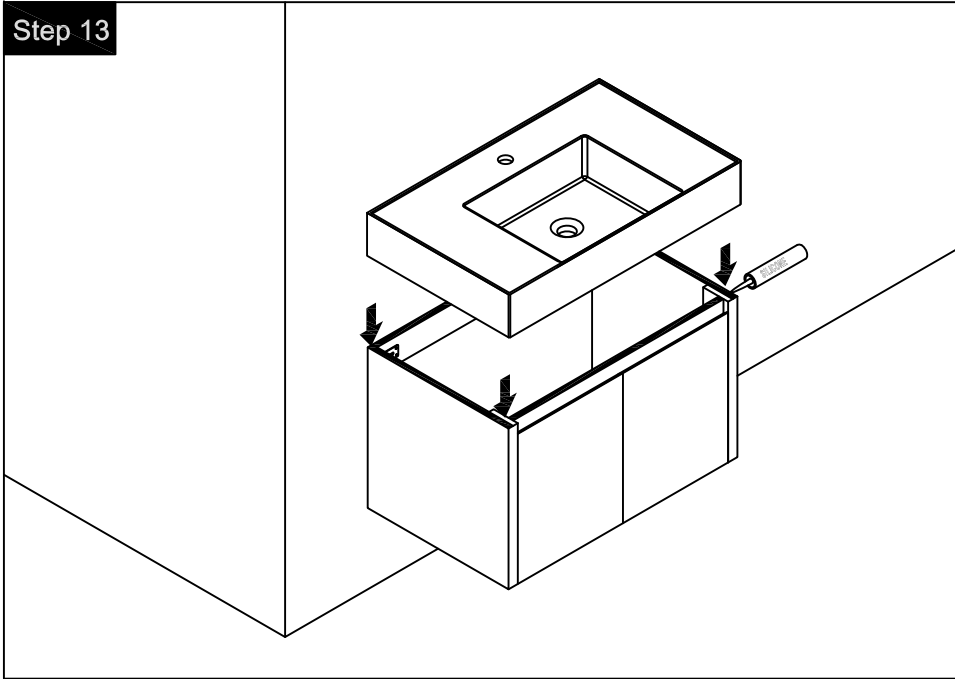
## Dimensions



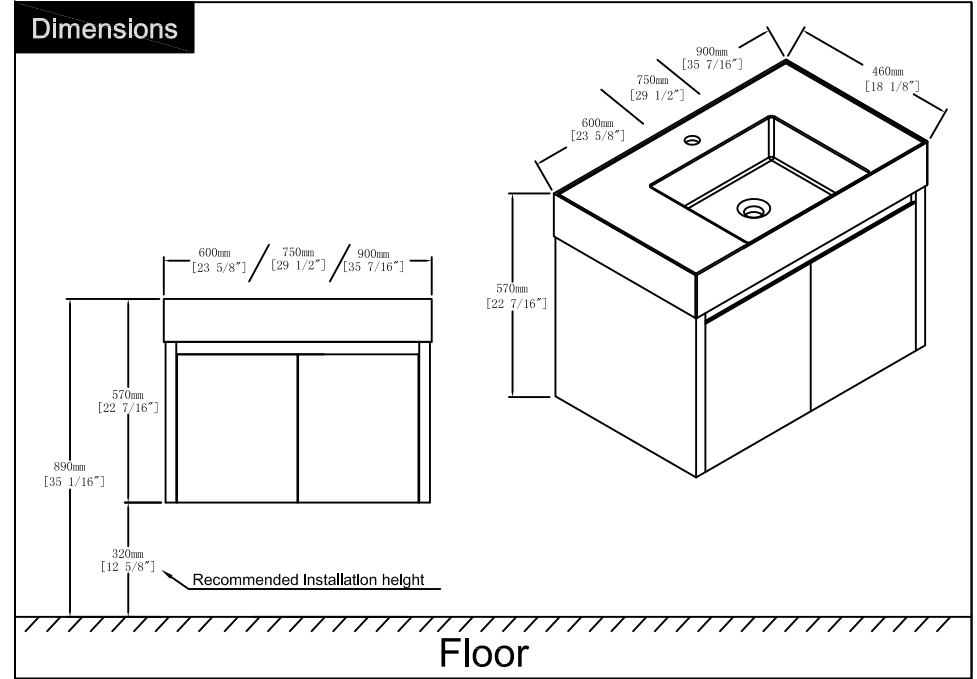
## CARE CLEANING AND MAINTENANCE

1. Dust regularly with a soft , dry cloth.
2. Avoid the use of all chemicals household cleaners, abrasives, or cleaners that contain lemon, vinegar, or other acids that may damage the finish.
3. Excessive exposure to sunlight and extreme changes in temperature and moisture can damage wood furniture.
4. The sink top is resilient, but care needs to be taken to preserve its appearance.
5. Do not place hot appliances, such as curling irons and hot hair dryers directly on the countertop. Wipe spills immediately.

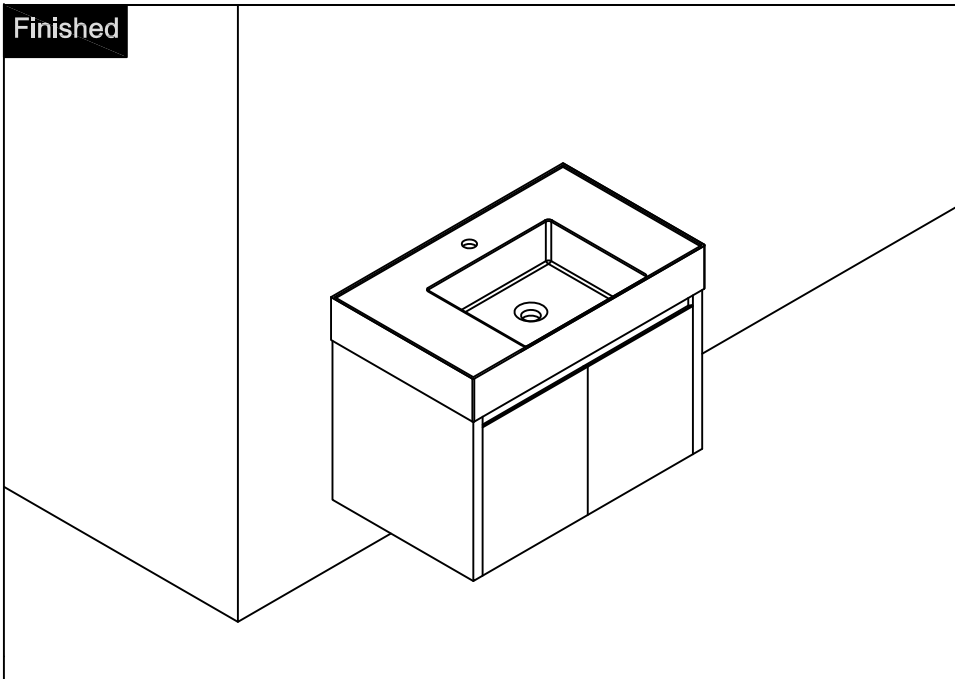
### Step 13



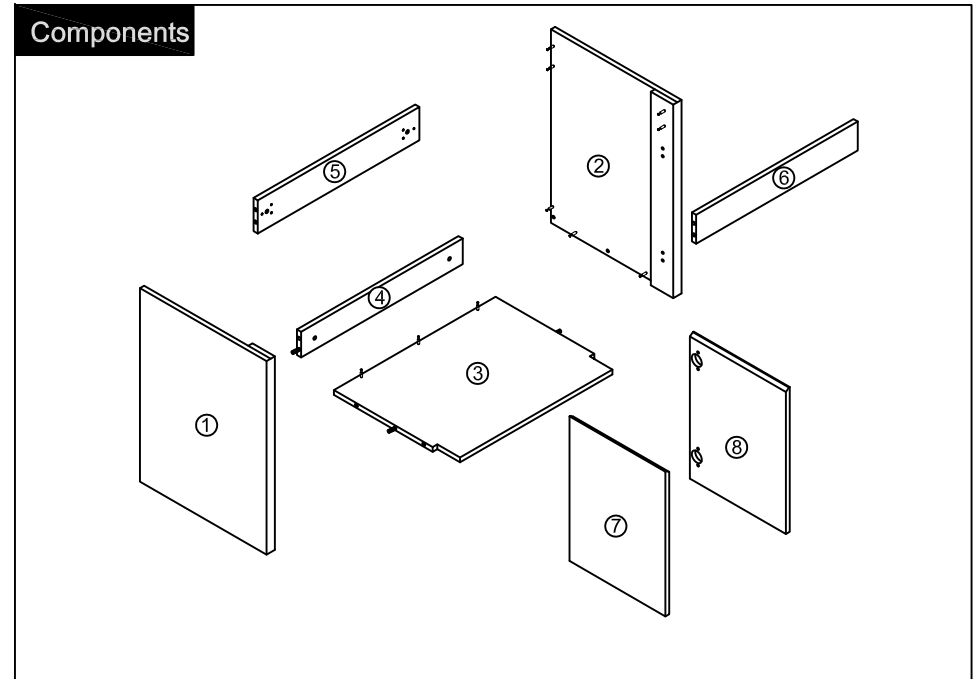
### Dimensions



### Finished



### Components



### Step 1

Attention: The lock handle arrow points to the side face.

Notes: Screw installation depth as shown

	x3
B	
	x3
C	
	x1
K	

### Step 2

Note: The D parts are used for these two holes

first step      second step      third step

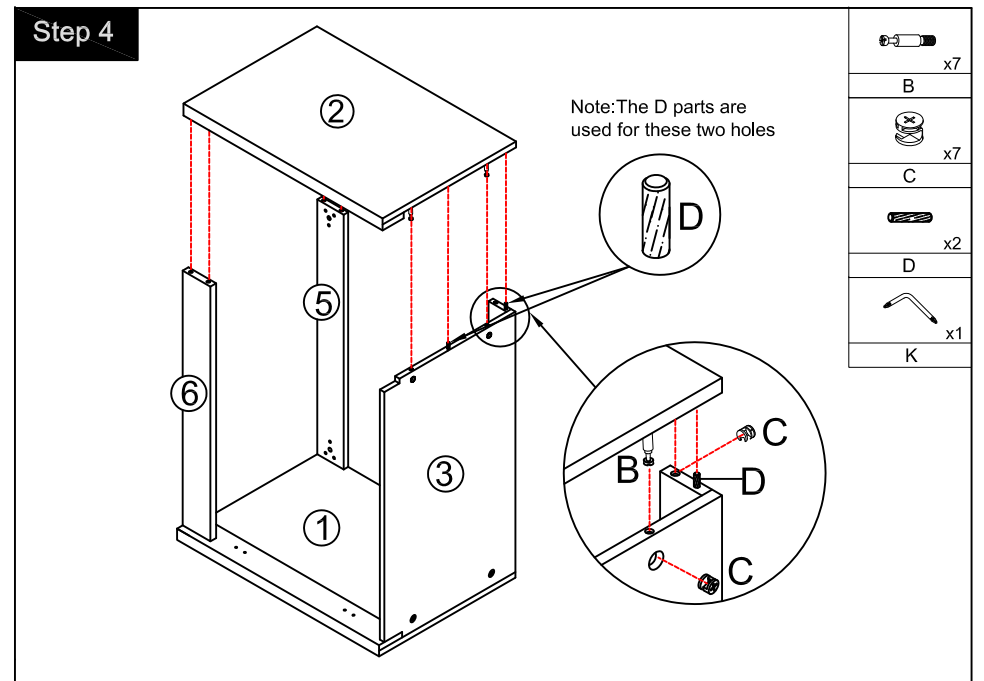
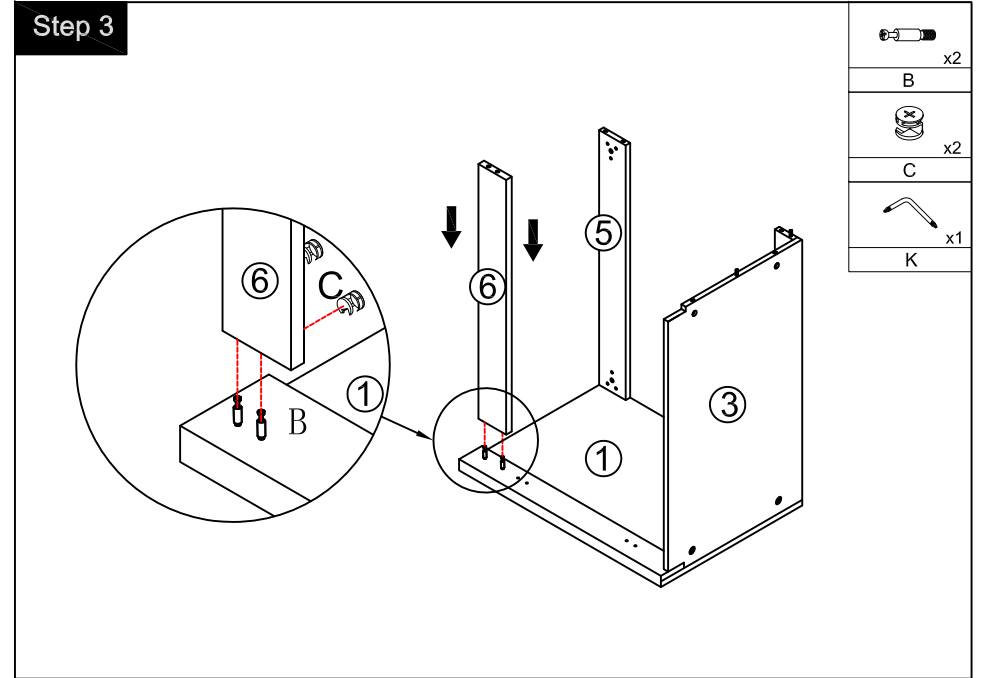
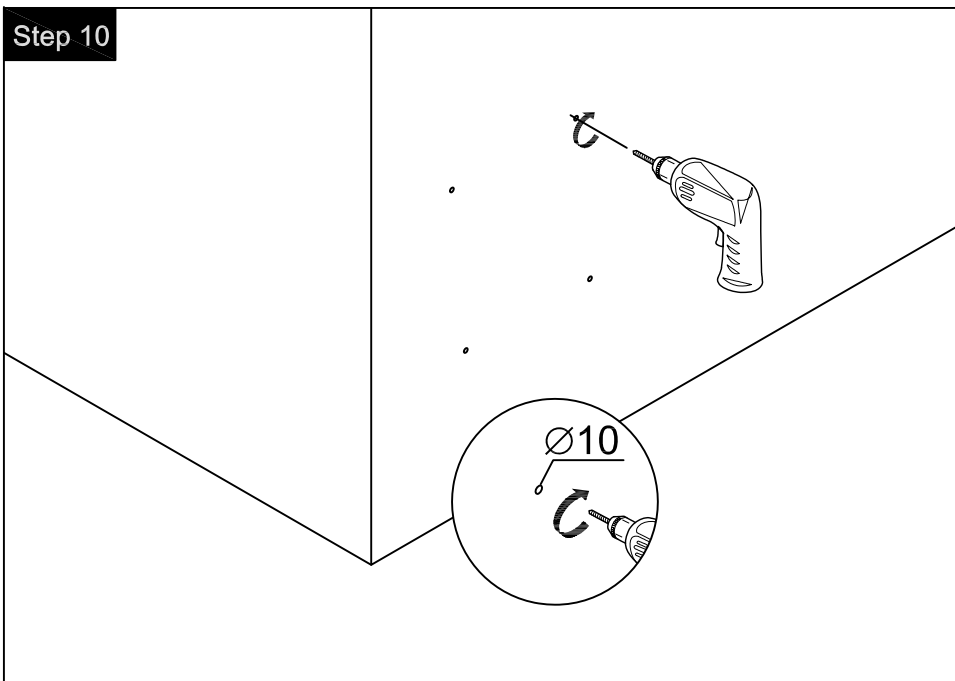
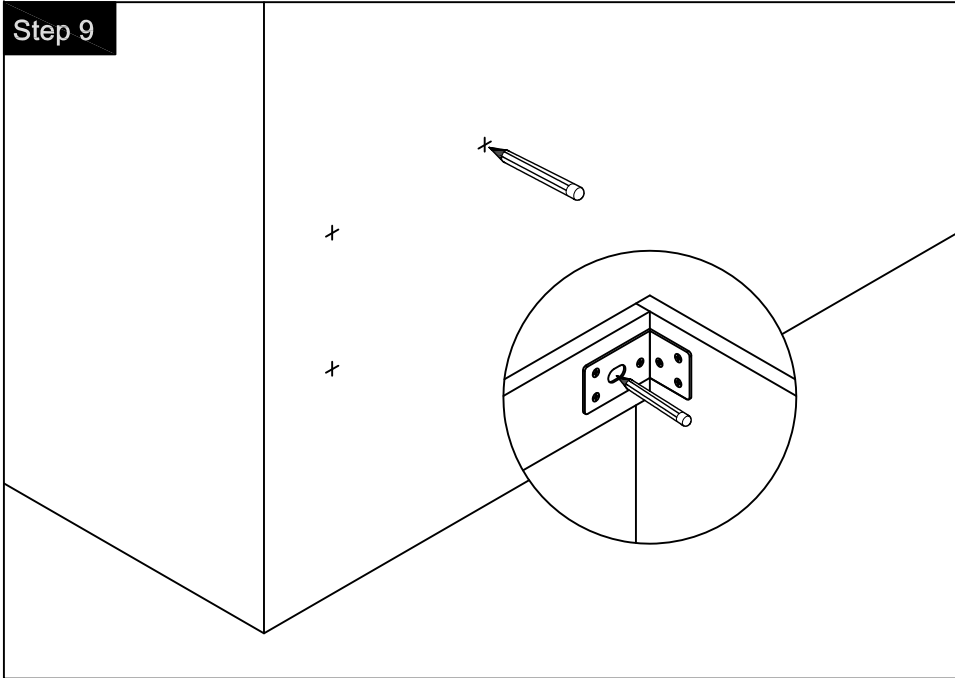
	x5
B	
	x5
C	
	x2
D	
	x1
K	

### Step 11

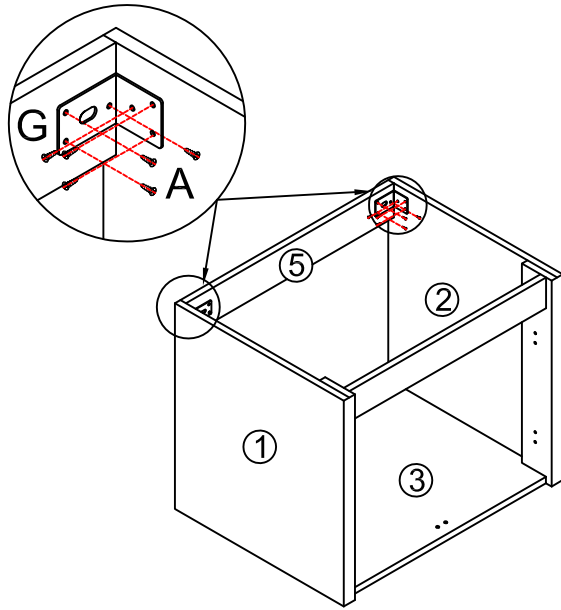
	x4
E	
Tool	




### Step 12

	x4
F	
Tool	

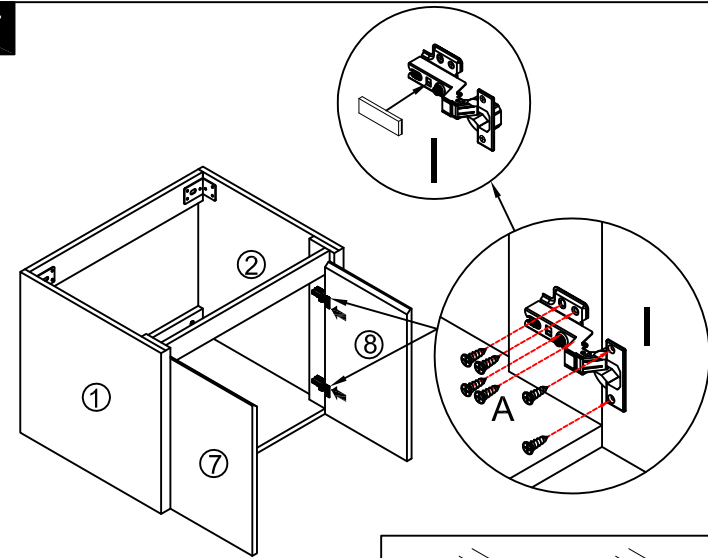


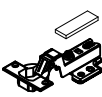


Step 5



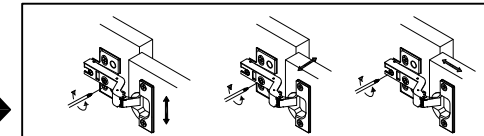
	x2
G	(∅4 x 14mm)
	x12
A	
	
Tool	

Step 7

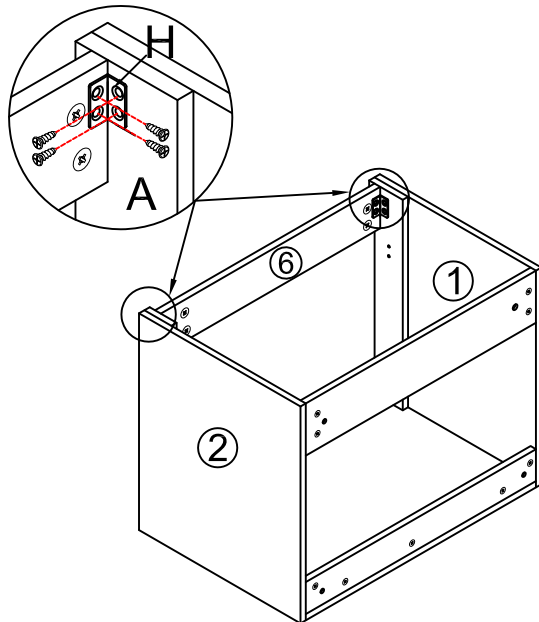





	x4
I	(∅4 x 14mm)
	x24
A	
	
Tool	

You can adjust the doors by tightening or loosening the screws on the hinge. →

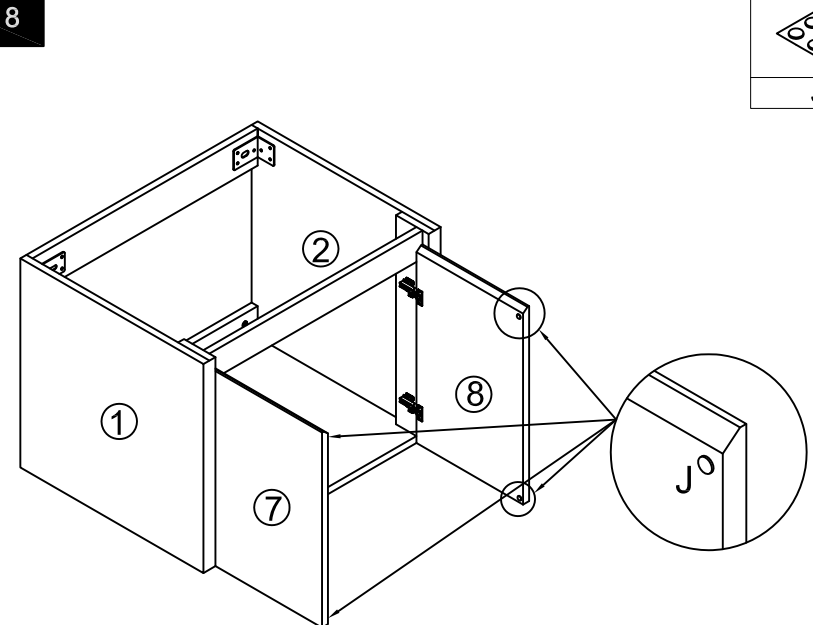



Step 6



	x2
H	(∅4 x 14mm)
	x8
A	
	
Tool	

Step 8



	x3
J	