

# INSTRUCTION MANUAL ENCLOSED

## **ATTENTION**

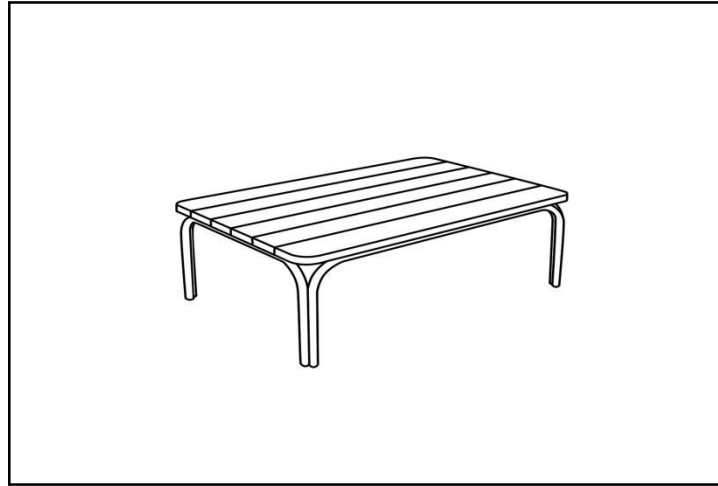
**IF YOU HAVE ANY PROBLEMS OR QUESTIONS, EMAIL OR CALL CUSTOMER SERVICE BEFORE YOU RETURN THIS PRODUCT TO THE STORE WHERE IT WAS PURCHASED.**

**\*\*When emailing Customer Service, please include your **Order Number** and **platform of purchase** in the email subject for quicker assistance.**

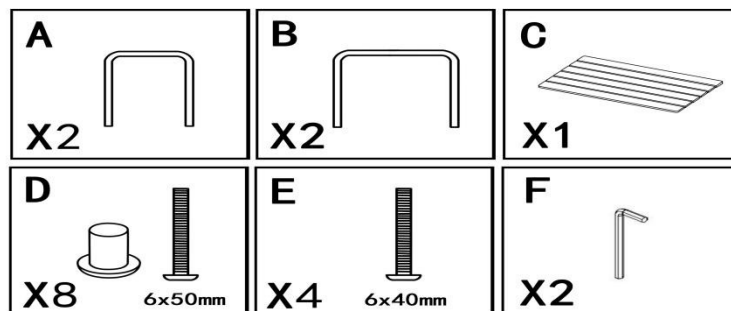
# INSTRUCTION MANUAL ENCLOSED

## OUTDOOR DINNING TABLE

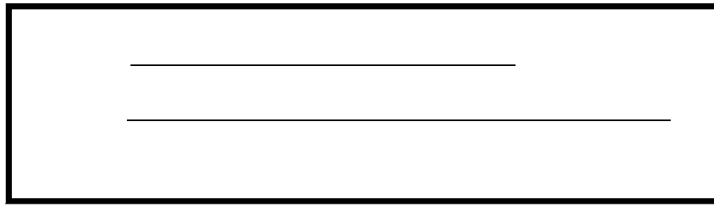
### OUTDOOR DINNING TABLE ASSEMBLY INSTRUCTION



Part	PARTS LIST Description	Quantity
<i>PARTS</i>		
A	Table Feet	2
B	Table Feet	2
C	Table Top	1
<i>HARDWARE</i>		
D	Bolts(6X50mm)	8
E	Bolts(6X40mm)	4
F	Allen Key	2



For Customer Service:



## PLEASE READ AND FOLLOW ALL SAFETY TIPS

### GETTING STARTED

1. Before assembly, CAREFULLY use scissors or utility knife to cut and unwrap all parts. Make sure you do not discard the hardware.
2. Make sure that you have all the parts listed. If you are missing any parts, please email Customer Service:

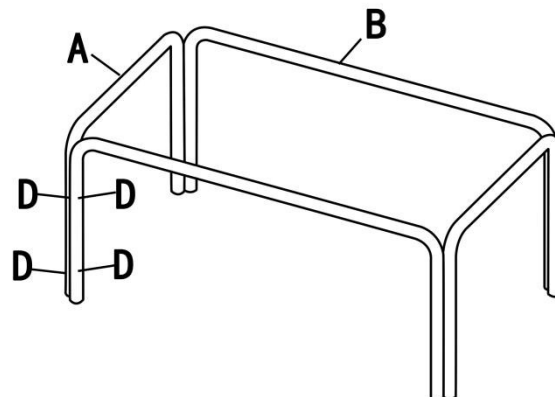
3. Please include your **Order Number** and **platform of purchase** in the email subject, and one of our customer service representative will get back to you.

#### Warm Tips:

1. The plastic covers on some metal parts are just for product protection. Please remove it before assembly.
2. Please follow the sequence of AI during assembly.
3. Do not tighten the screws until all of them are in right positions.

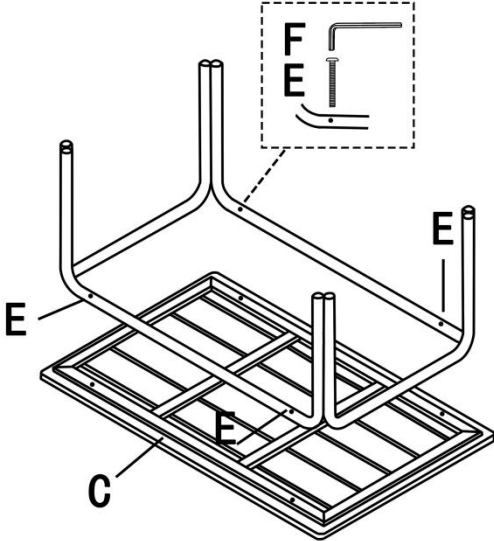
1. Position each Table Foot(B) to the Table Foot(A) by the pre-drilled threads. Use two Allen Key(F) to secured and fasten Bolts(D). Each foot should have 2 bolts fastened, total have 8 bolts fastened.(Photo 1)

### STEP1



2.Put the Feet frame to the Table Top carefully,Use Allen Key(E) to fasten Bolts(D),Then turn over the Table to the upright position carefully. (photo 2)

**STEP2**



You have completed assembling the furniture – enjoy!