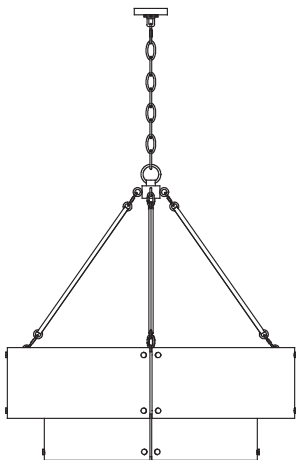




Chandeliers

SKU: HCDL12B
[Instruction Manual]



Please pay attention to the warning signs
Read the instructions with caution before operating
and keep it properly

Warning:

Risk of fire. Min 167°F/75°C supply conductors. Consult a qualified electrician to ensure correct installation. Before installation, please turn off the main power of the circuit breaker to prevent possible electric shock.

Installation Instructions

FIG.1. Turn the wall switch to the "OFF" position. Depending on which type of fuse box in your home:

FIG.2. Either turn the main (Master) switch to the "OFF" position to cut off the power supply of the entire home, or turn off the individual switch that supplies power to where the fixture will be installed.

OR

FIG.3. Either turn the main (Master) switch to the "OFF" position to cut off the power supply of the entire home, or unscrew the fuse that supplies power to where the fuse will be installed.

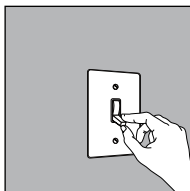


FIG.1 WALL SWITCH

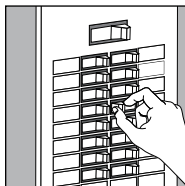


FIG.2 BREAKER PANEL

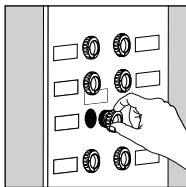
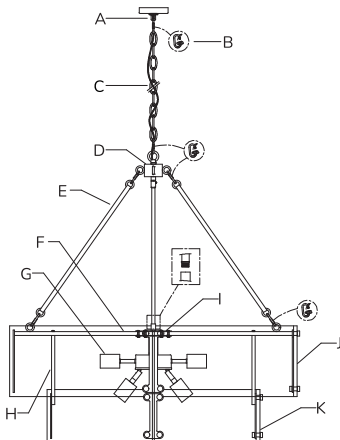


FIG.3 FUSE BOX







PACKING LIST



- | | |
|------------------------------|------------------|
| A. Canopy x 1 | G. Lamp Body x 1 |
| B. Quick Link x 10 | H. Connector x 4 |
| C. Chain x 1 | I. Wafer x 2 |
| D. Pipe Rack x 1 | J. Glass D1 x 4 |
| E. Pipe x 4 | K. Glass D2 x 4 |
| F. Seven-Character Stand x 4 | |

1. Pass the power cord of Lamp Body (G) through Pipe Rack (D), Chain (C), Quick Link (B), and Canopy (A).
2. Use Wafer (I) to fix and lock the Seven-Character Stand (F).
3. After loosening Quick Link (B), connect Pipe (E) and Seven-Character Stand (F) and lock them together. Then fix Glass D1 (J) in sequence.
4. Use screws to connect Connector (H) with Seven-Character Stand (F), and fix Glass D2 (K) in sequence.

INSTALLATION KIT

AA	x1	BB	x2	CC	x1	DD	x3
							
Mounting Bracket		Outlet Box Screw		Ground Screw		Wire Nut	
EE	x64	FF	x32				
							
Silicon Washer		Decorative Panel Base					

1. Silicon Washer (EE) have been pre-installed on Decorative Panel Base (HH).
2. Ground Screw (CC) have been pre-installed on Mounting Bracket (AA).

INSTALLATION

Step 1:

Tighten the connection between the Pipe Rack (D) frame and the Lamp Body (G).

Step 2:

Insert the Seven-Character Stand (F) into the Wafer (I) and secure it with a screw.

Step 3:

Use the Quick Link (B) to securely fasten the Pipe (E) to the Seven-Character Stand (F).

Step 4:

Loosen the Quick Link (B) fastener and remove the Canopy Loop.

Step 5:

Pass the wire through the Chain (C) and extend it to the hanging board until it reaches the ceiling.

Step 6:

Take off the screws from the outlet box, and secure the Mounting Bracket (AA) onto the box with the screws taken off or Outlet Box Screw (BB).

Step 7:

1. Wrap the ground wire from the outlet box around the Ground Screw (CC) on the Mounting Bracket (AA), and then connect the ground wire from the fixture to the ground wire from the outlet box.
2. Connect the wires from the fixture to the house supply wires, neutral wire (white) to neutral wire, and hot wire (black) to hot wire.
3. Spread apart the wires so that the hot wires are on one side of the outlet box and the neutral wires are on the other side.

Step 8:

Tie Canopy (A) tightly to the ceiling, tighten the hanger, and lock QuickLink (B).

Step 9:

Use Decorative Panel Base (FF) to lock fix Glass D1 (J) onto Seven-Character Stand (F), and attach the Silicon Washer (II) pads on both the inner and outer sides of Glass D1 (J).

Step 10:

Use Golden Screws to fix the circular tube Pipe (E) onto Seven-Character Stand (F).

Step 11:

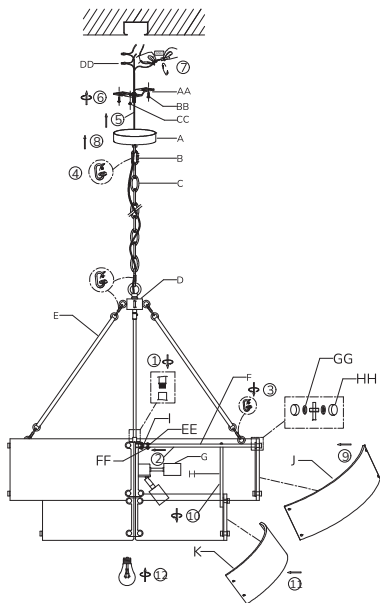
Use Decorative Panel Base (HH) again to lock Glass D2 (K) onto Connector (H), and attach the Silicon Washer (GG) pads on both the inner and outer sides of fix Glass D2 (K).

Step 12:

E26 Bulbs X 12
(Max 60W each, not included)

NOTE:

To make it easier for you to install, the screws on the Seven-Character Stand (F) frame can be loosened a little first. After the entire lamp is assembled, then tighten them back.



Specifications

- Input Voltage: 120VAC 60Hz
- Max.load Power: Incandescent Bulb 60w
- Socket Type: Standard Medium E26

One Year Limited Warranty

Supported by our professional R&D team and QC team, we provide One Year Warranty for materials and workmanship from the purchase date. Please note that the warranty does not cover damage caused by personal misuse or improper installation. Please attach your Order ID and Name so that our dedicated customer service team can help you better.



Made in China