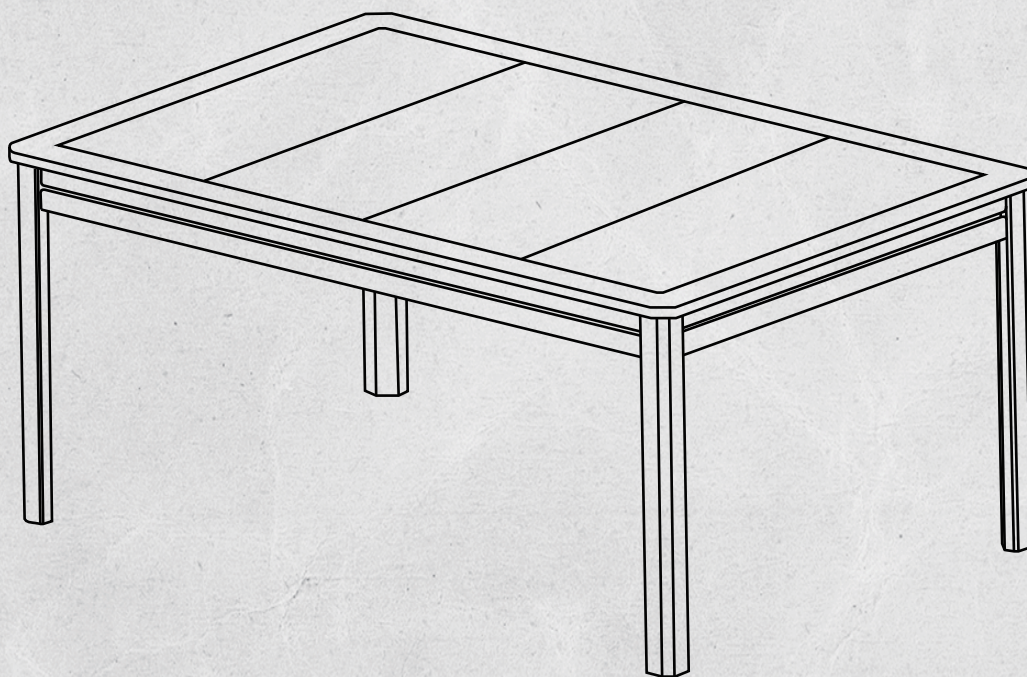


# INSTRUCTION MANUAL





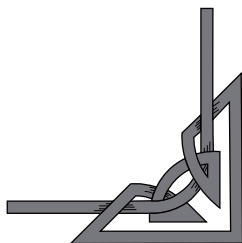
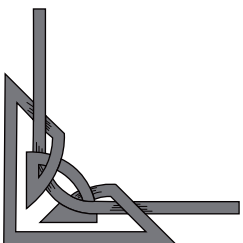
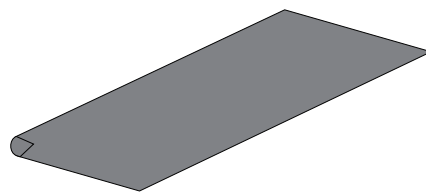
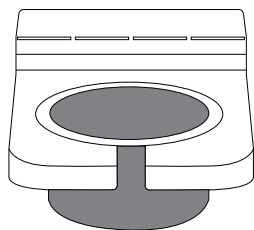
## SAFETY WARNINGS

- After assembly, tighten all screws and bolts every 4-6 months.
- This table contains SMALL PARTS - Keep children under 3years old AWAY from the table at all times!
- Maximum table load is 40kg (88lbs).
- Maximum table load of table with Bar Height Extenders is 30kg (66lbs).
- For best care, keep Project Ironside out of direct sunlight and in an environment between 19-29°C (66-84°F).
- To clean wood, use a slightly damp cloth.
- Do not use Project Ironside if the environmental temperature is under 5°C (41F) or over 35°C (95°F)
- Parts of Project Ironside have been treated, coated and/or polished, but do not use Project Ironside if any parts contain rust or jagged edges.
- Keep metal surfaces dry, and dry immediately if wet.

Gift items :

One 1400\*790\*2mm Black Game Mat (purchased separately)

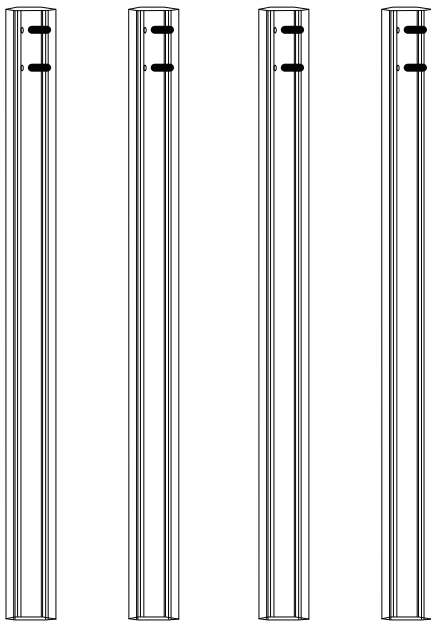
Wooden Cup Holders 4pcs;



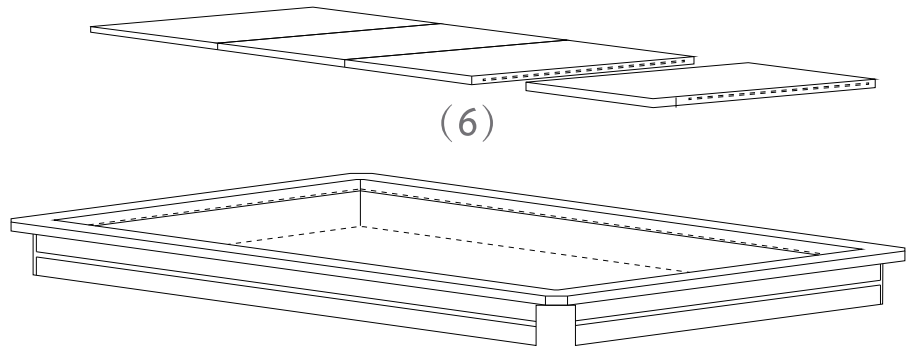
## Step 1: Prepare the Components

Required components:

- Tabletop ×1 (Size: 62.59\*38.58in Inner Size: 55.11\*31.1in)
- 2. Table legs ×4 ( Size: 2.3\*2.3in high 29.33in)
- 3. Metal rod ×1
- 4. Screws ×8
- 5. Wrench ×1
- 6. The cover plate of the wooden table;

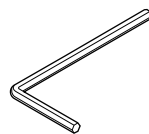


(2)

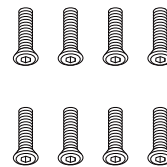


(6)

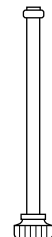
(1)



(5)



(4)

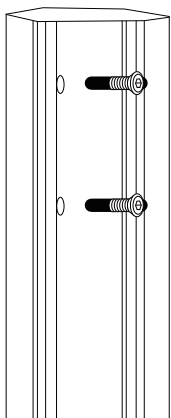
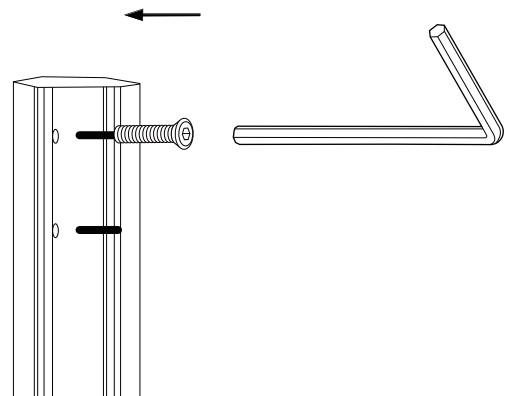
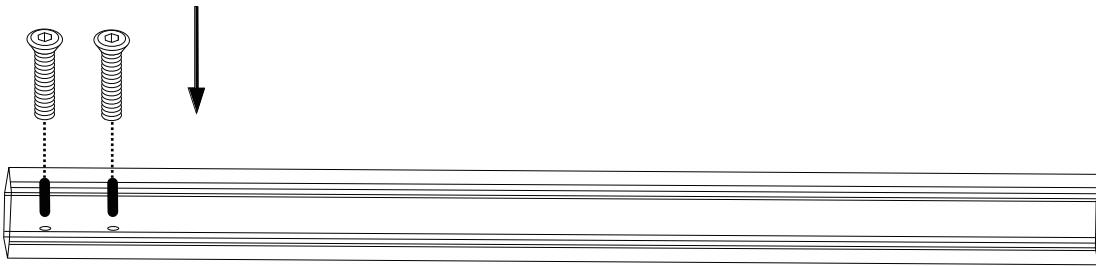


(3)



## Step 2: Pre-install the Screws

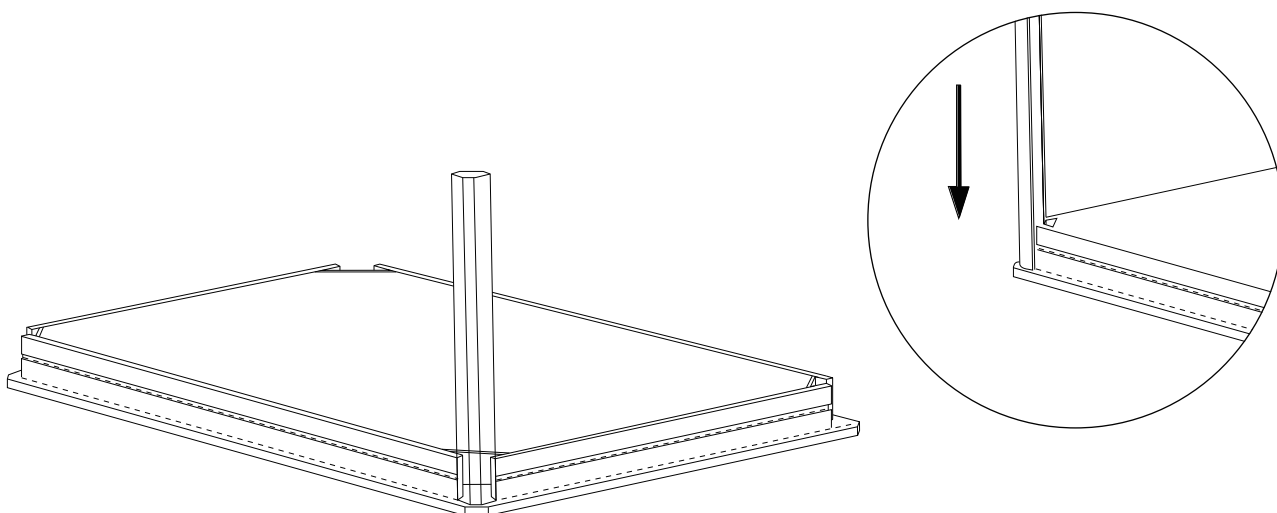
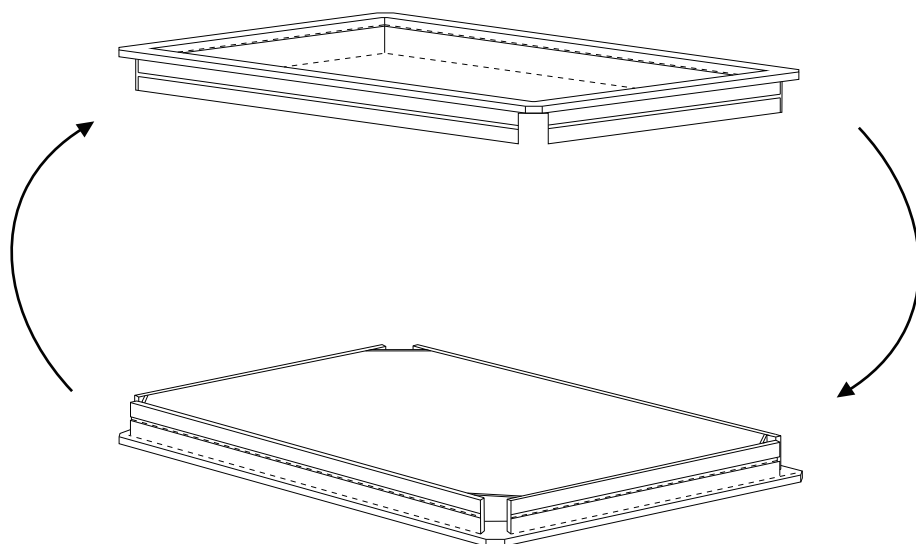
- Take one table leg and insert 2 screws into the screw holes on the leg, Use the wrench to tighten the screws, but leave half of the screw exposed for later assembly.
- Follow the same process to install the remaining 6 screws into the other table legs.



### Step 3: Attach the Table Legs

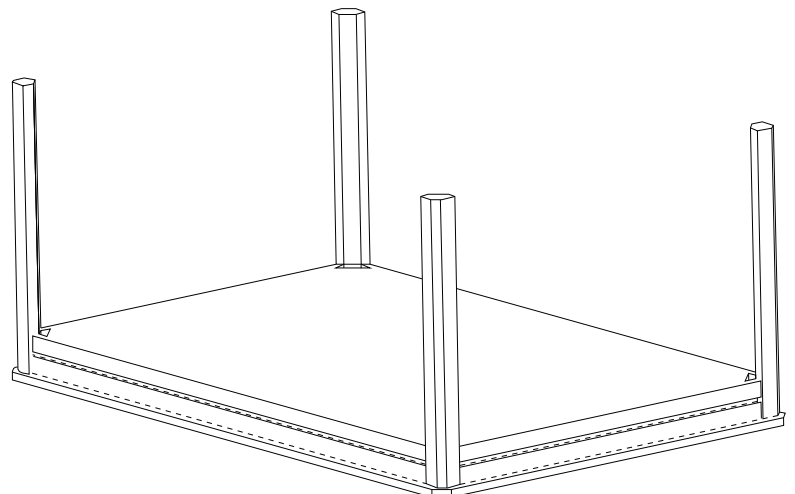
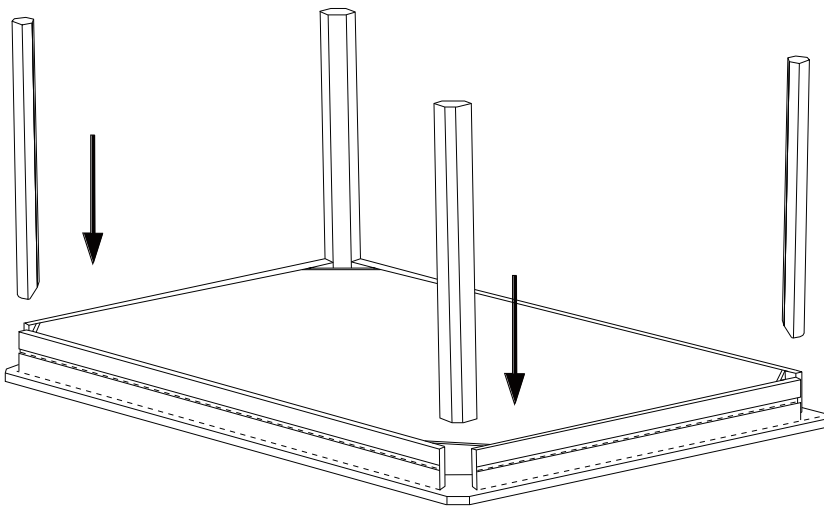
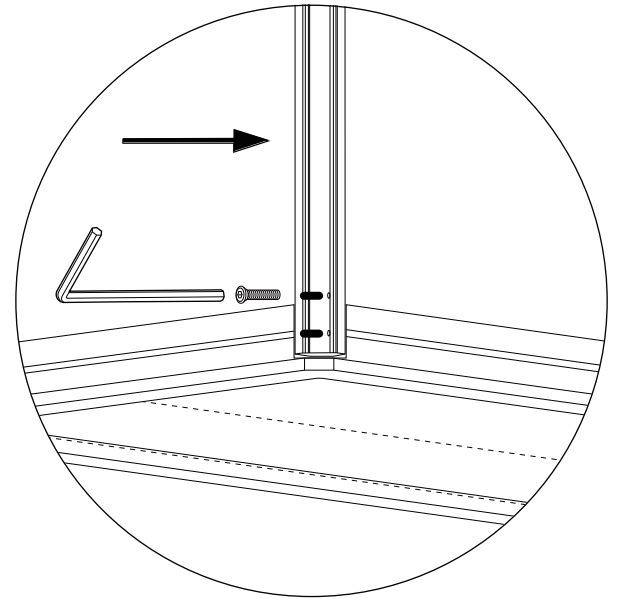
---

- Turn the tabletop upside down and place it flat on the ground.
- Take a table leg and align the side with screws to one of the corner holes on the tabletop, press down to insert the table leg into the hole.



## Step 4: Tighten the Screws

- Use the wrench to fully tighten the two screws in the hole, ensuring the leg is firmly fixed.
- Repeat the same process for the other three table legs, aligning them with the triangular holes on the tabletop, use the wrench to tighten all screws securely.

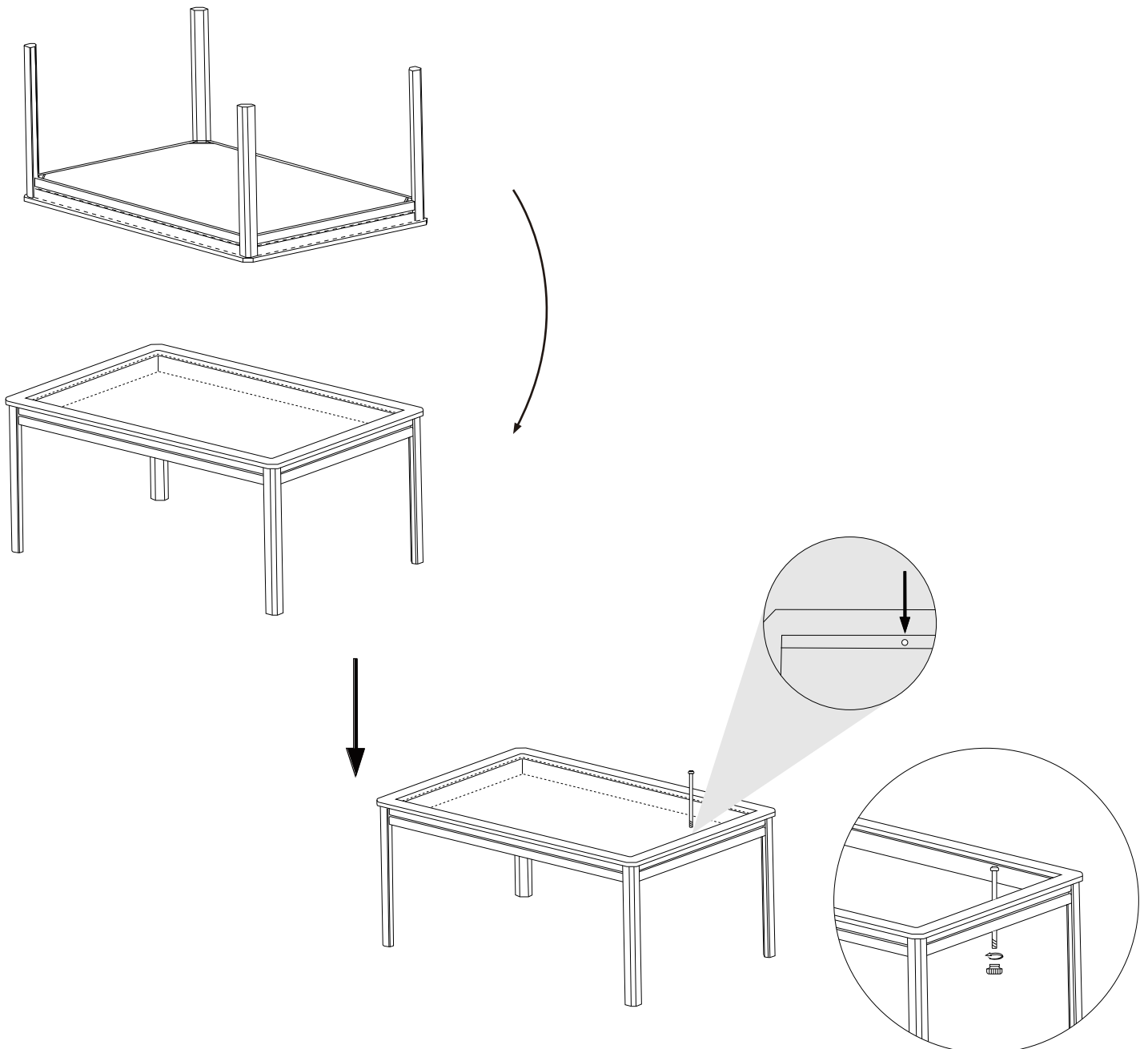


## Step 5: Install the Top Accessories

---

- Once all the legs are secured, flip the table upright so the tabletop is facing up.
- is facing up.

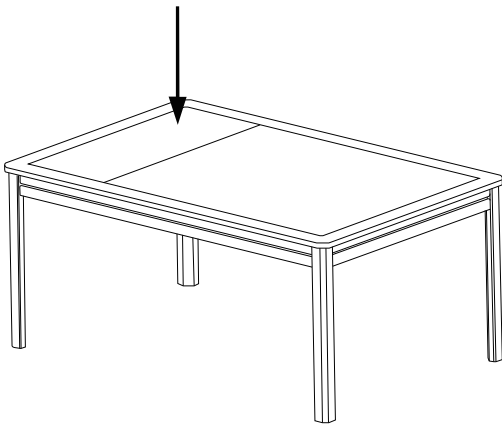
Insert the metal rod into the designated hole on one side of the tabletop, from underneath the table, tighten the nut on the metal rod's thread to secure it.



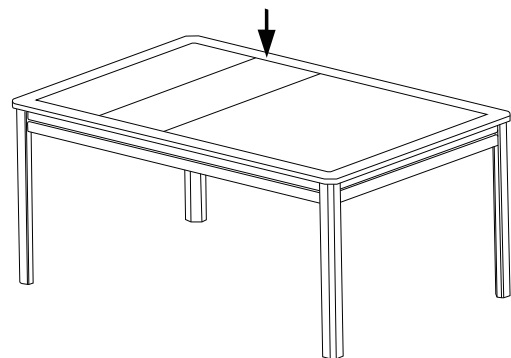


## Step 6: Complete the Assembly

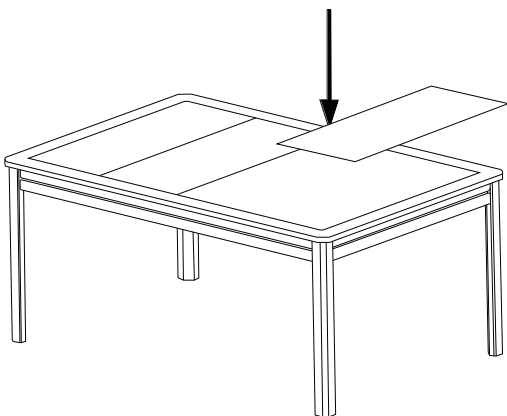
- Place the five wooden cover panels into the recessed slots on the tabletop, assembly is now complete!



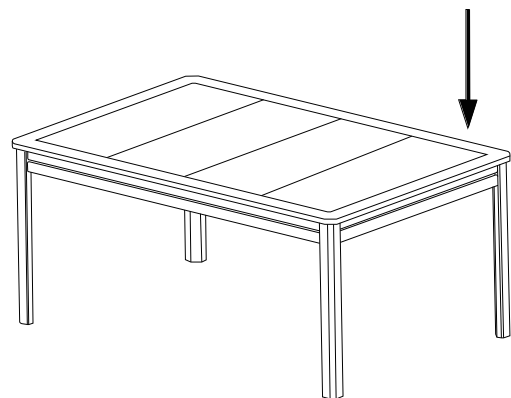
①



②



③



④