

Modern Farmhouse Single Kitchen Island Pendant Lighting

Caution. Please turn off power before installation and read the manual carefully, we advise you contact professional electricians to install for safety purpose.

Product Features

Style: Modern Farmhouse

Material: Metal

Base Type: E12

Light Source Included: No

Voltage: 120V AC

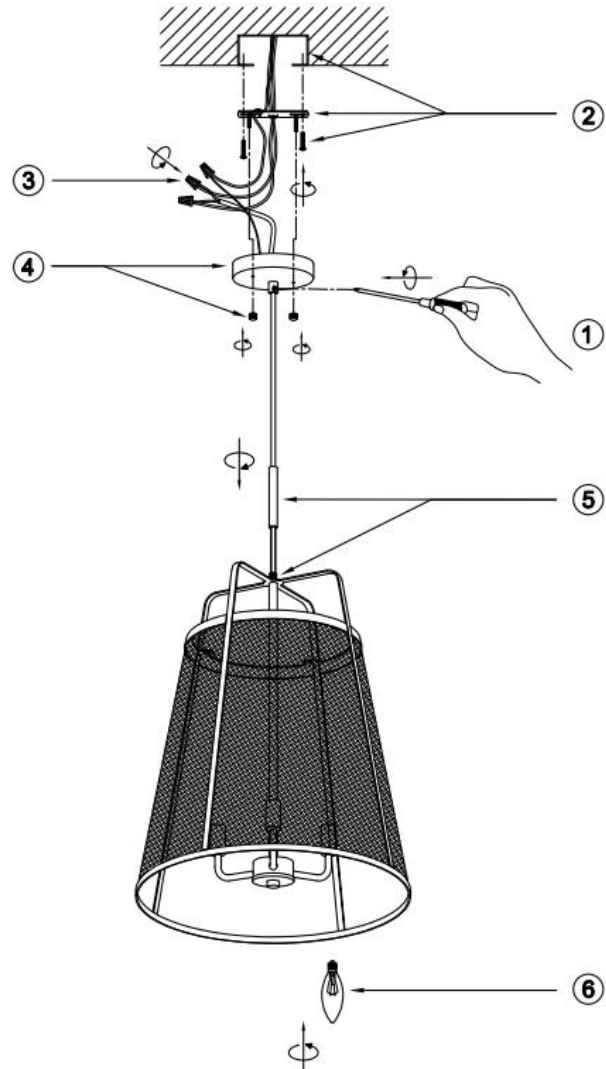
Wattage: 60W Max

Package includes

1 x Pendant Light

1 x Accessories Kit

1 x User's Manual



Installation Instructions

1. Loosen the screws inside the metal part to adjust the height of the suspension wire, then tighten the screws to secure the wire at the desired height.
2. Use the mounting plate screws to secure the mounting plate to the standard US junction box.
3. Connect the main lines and ground wire from the fixture with lines reserved on the ceiling. Take care to avoid exposing any wire when making connections.
4. Secure the ceiling plate to the mounting plate using the knurled nuts.
5. Install the mounting rod into the threaded socket at the top of the lampshade.
6. Install the bulb into the socket.
7. Turn on the power to check if the bulb is functioning properly.

Note: please use this product accordingly to its intended purpose, do not retrofit or remodeling the product. The warranty does not cover if the failure is caused by the third party product, or natural disasters.

Made in China