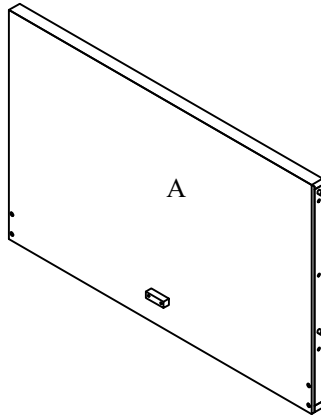


FULL / QUEEN BED ASSEMBLY INSTRUCTIONS

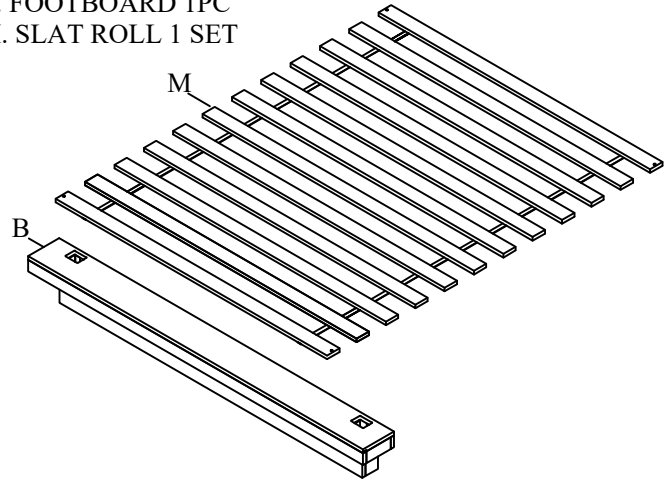
BOX #1.

A. HEADBOARD 1 PC



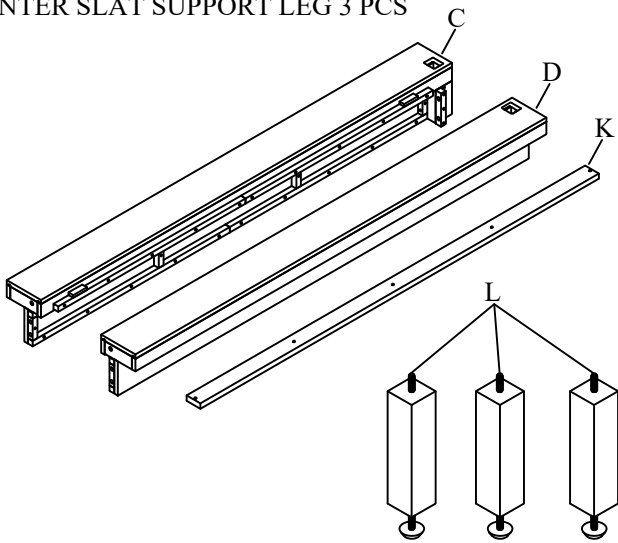
BOX #2

B. FOOTBOARD 1PC
M. SLAT ROLL 1 SET



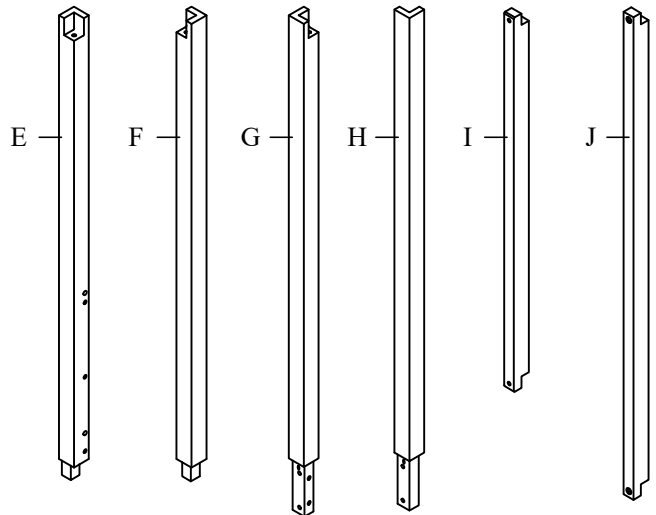
BOX #3

C. LEFT SIDE RAIL 1 PC
D. RIGHT SIDE RAIL 1 PC
K. CENTER SLAT SUPPORT 1 PC
L. CENTER SLAT SUPPORT LEG 3 PCS



BOX #4

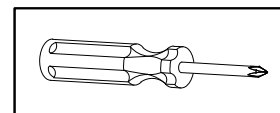
E. LEFT HEADBOARD POST 1PC
F. RIGHT HEADBOARD POST 1PC
G. LEFT FOOTBOARD POST 1 PC
H. RIGHT FOOTBOARD POST 1 PC
I. SHORT CROSSBAR 2 PCS
J. LONG CROSSBAR 2 PCS



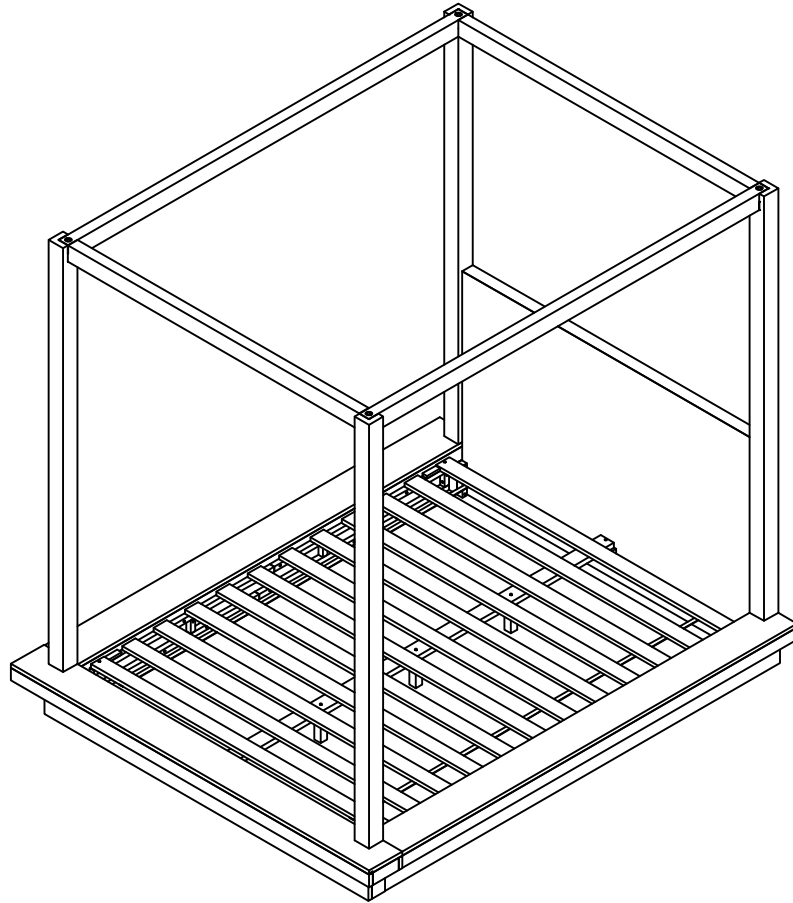
HARDWARE PACKED IN BOX #2

1	ALLEN BOLT (M8X90)		4 PCS
2	ALLEN BOLT (M8X70)		4 PCS
3	ALLEN BOLT (M8X45)		18 PCS
4	ALLEN BOLT (M8X40)		4 PCS
5	SPRING WASHER (M8)		30 PCS
6	FLAT WASHER (M8)		30 PCS
7	WOOD SCREW (M4X30)		6 PCS
8	ALLEN KEY		1 PC

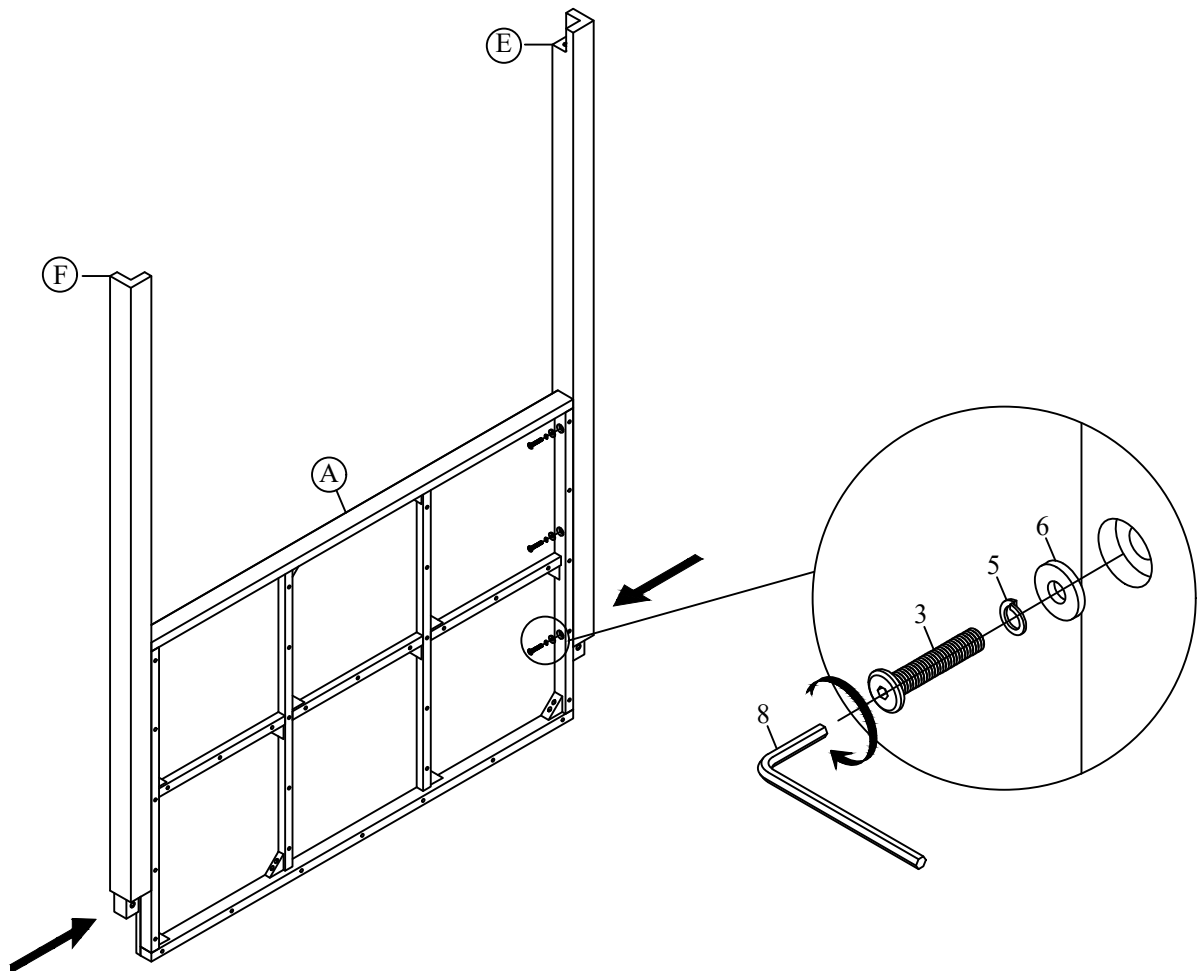
TOOL REQUIRED
PHILLIPS HEAD SCREW DRIVER AND LADDER
(NOT PROVIDED)



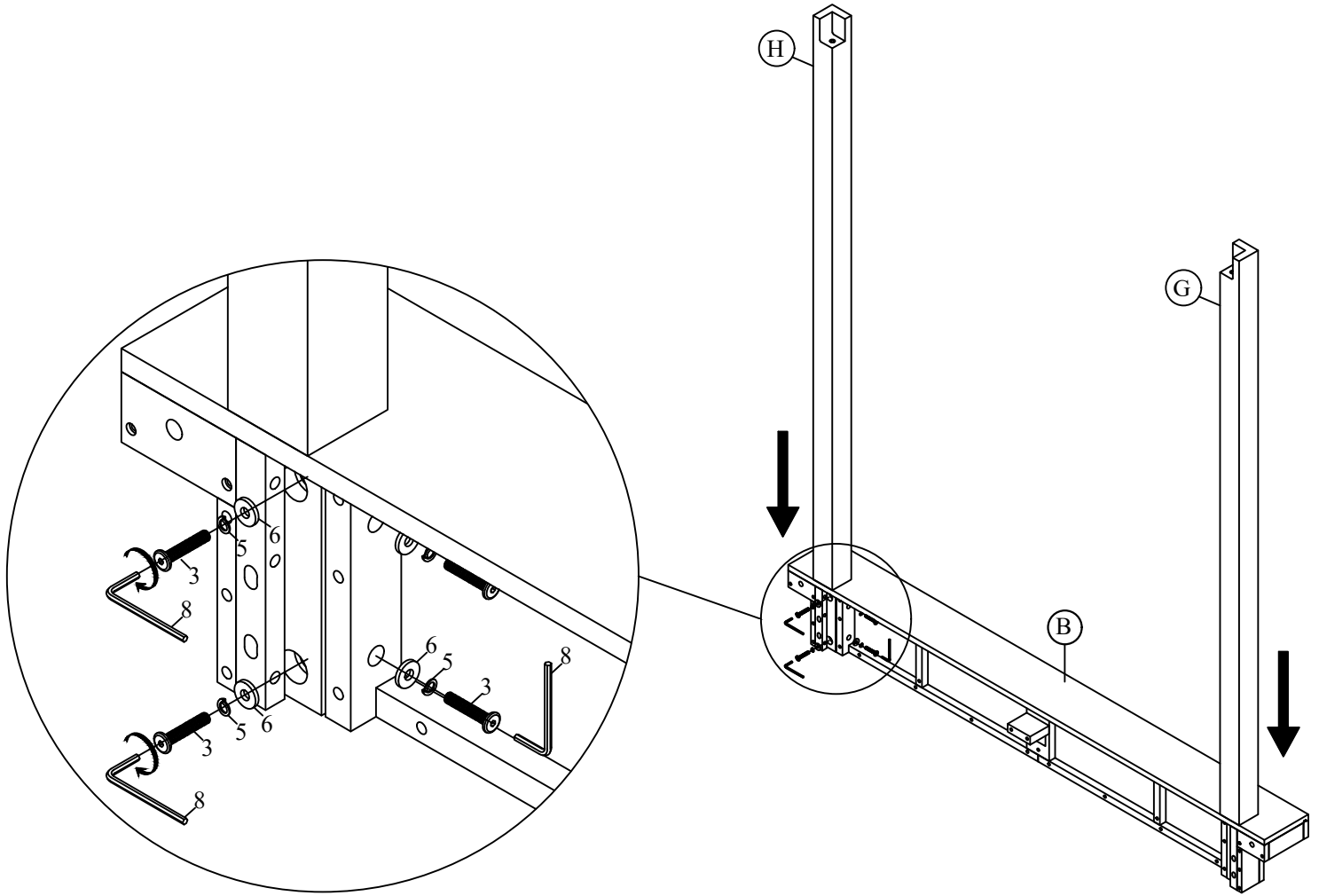
BED FULLY ASSEMBLED



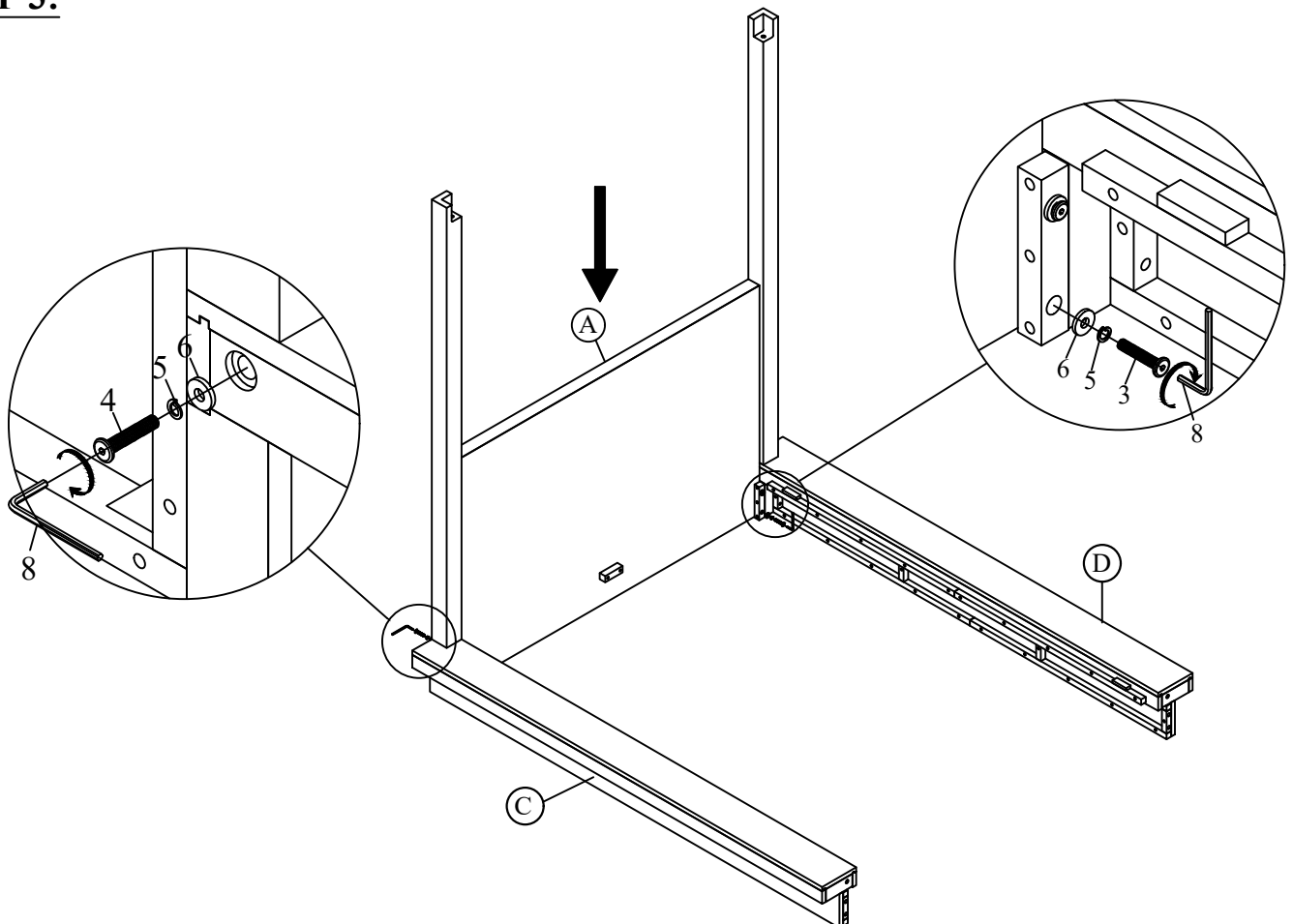
STEP 1:



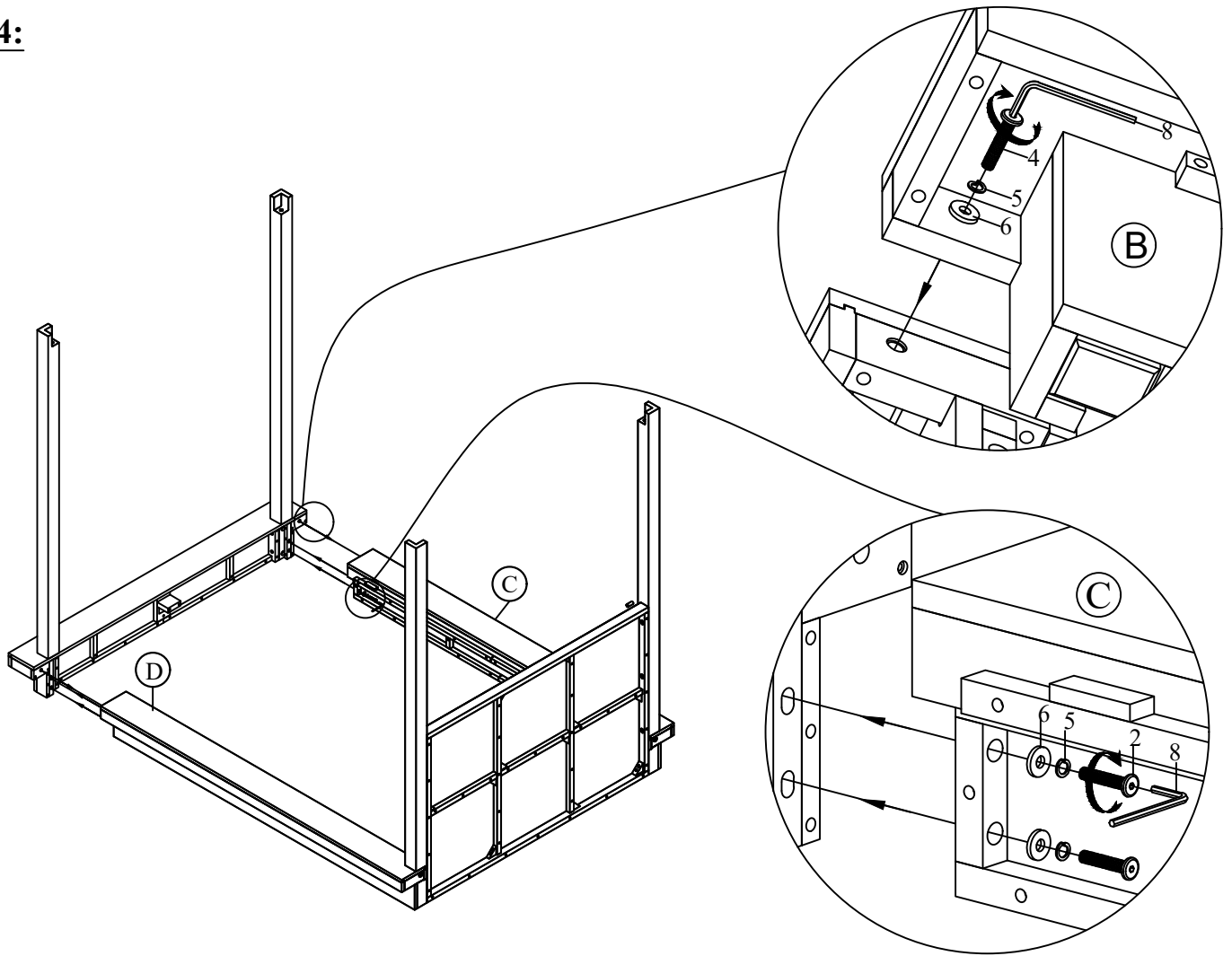
STEP 2:



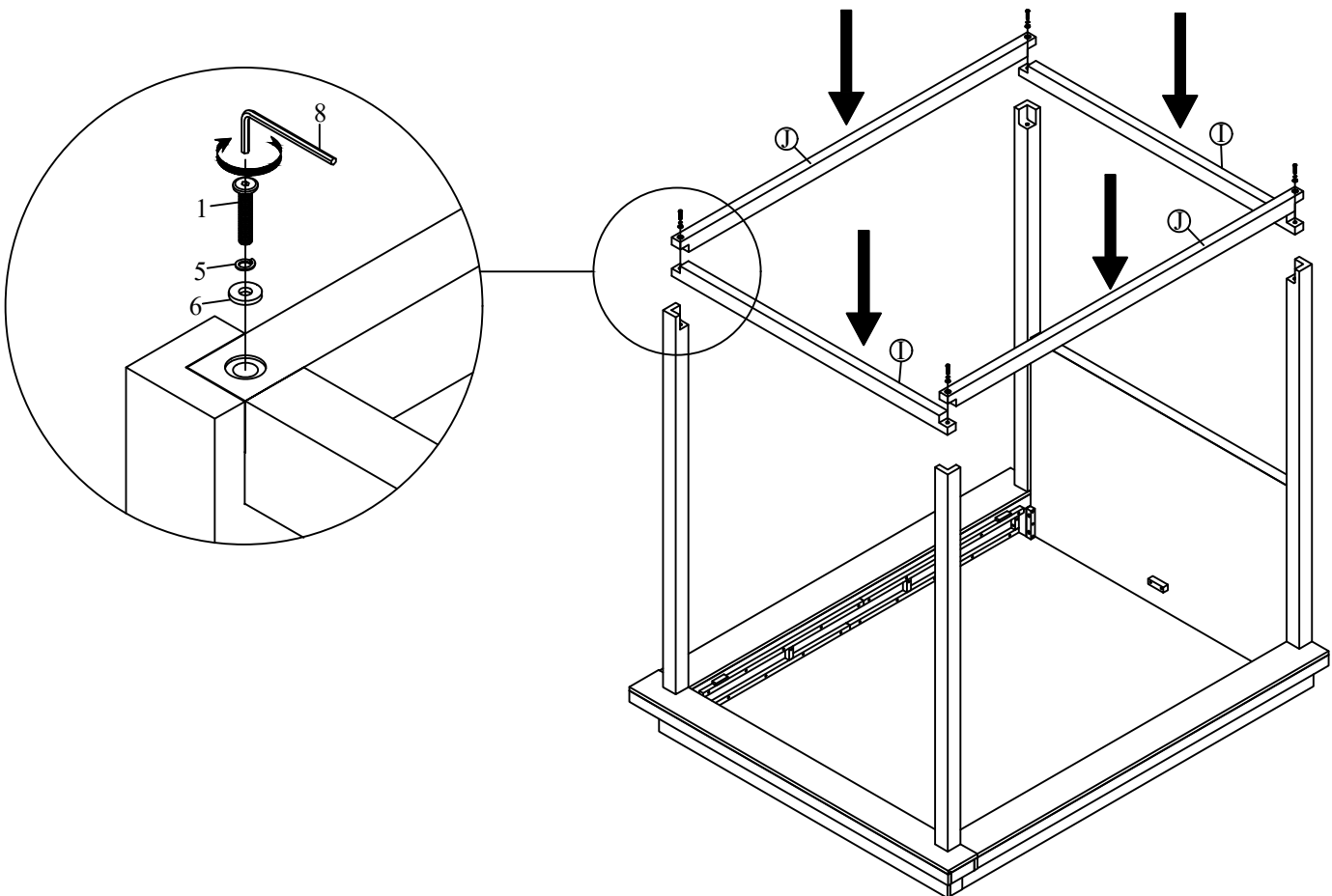
STEP 3:



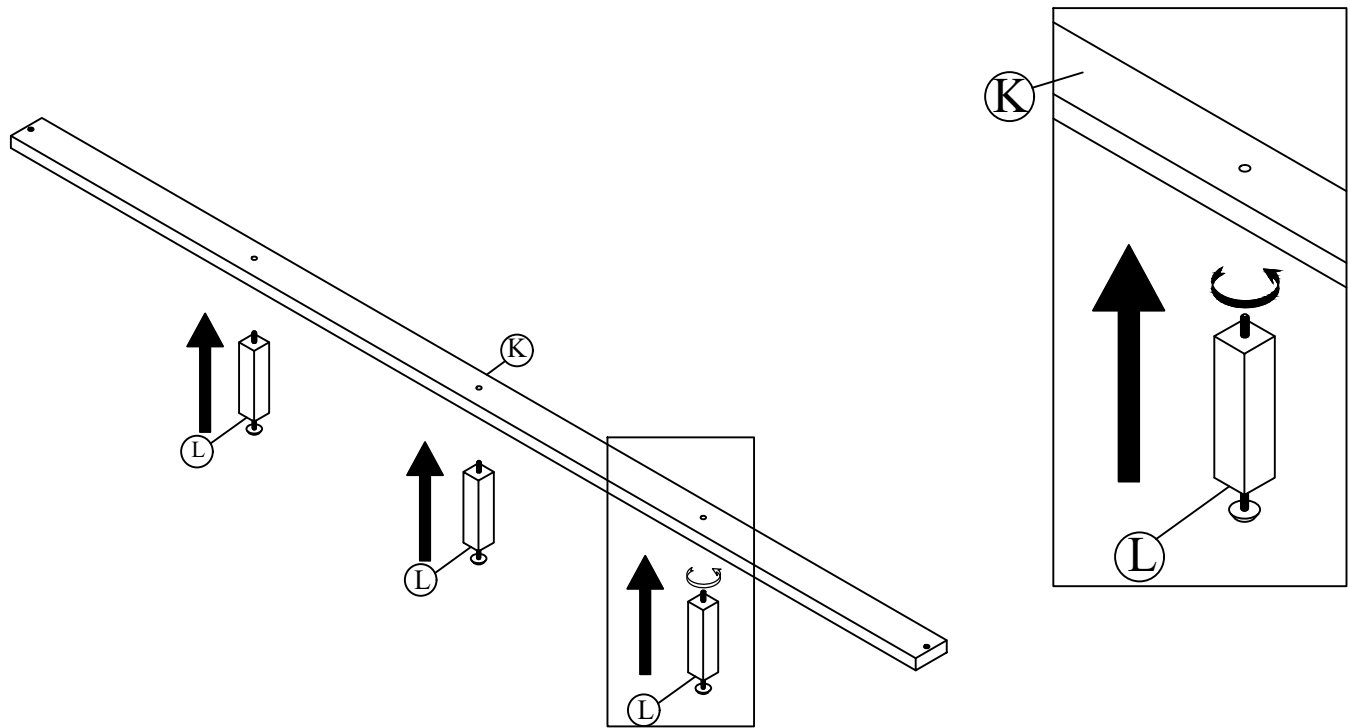
STEP 4:



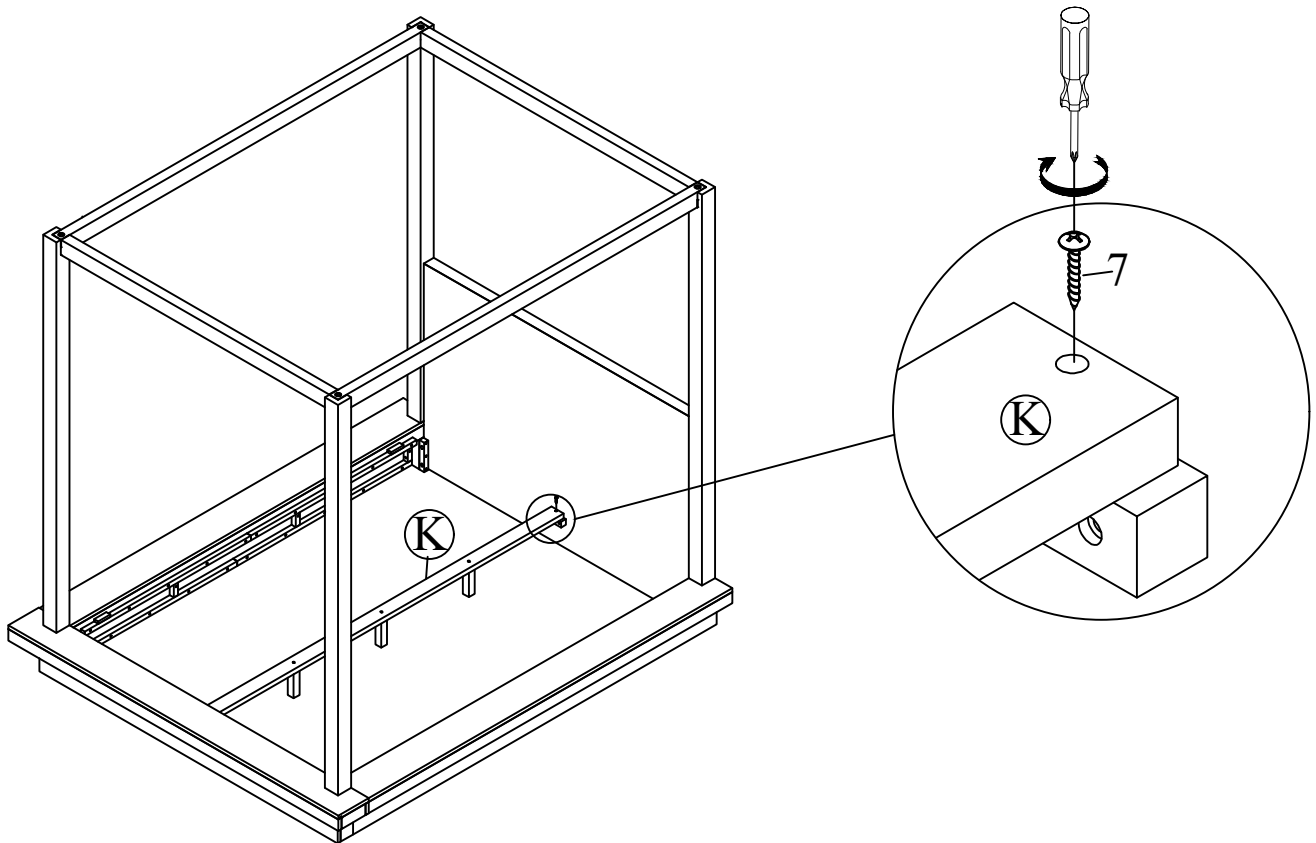
STEP 5:



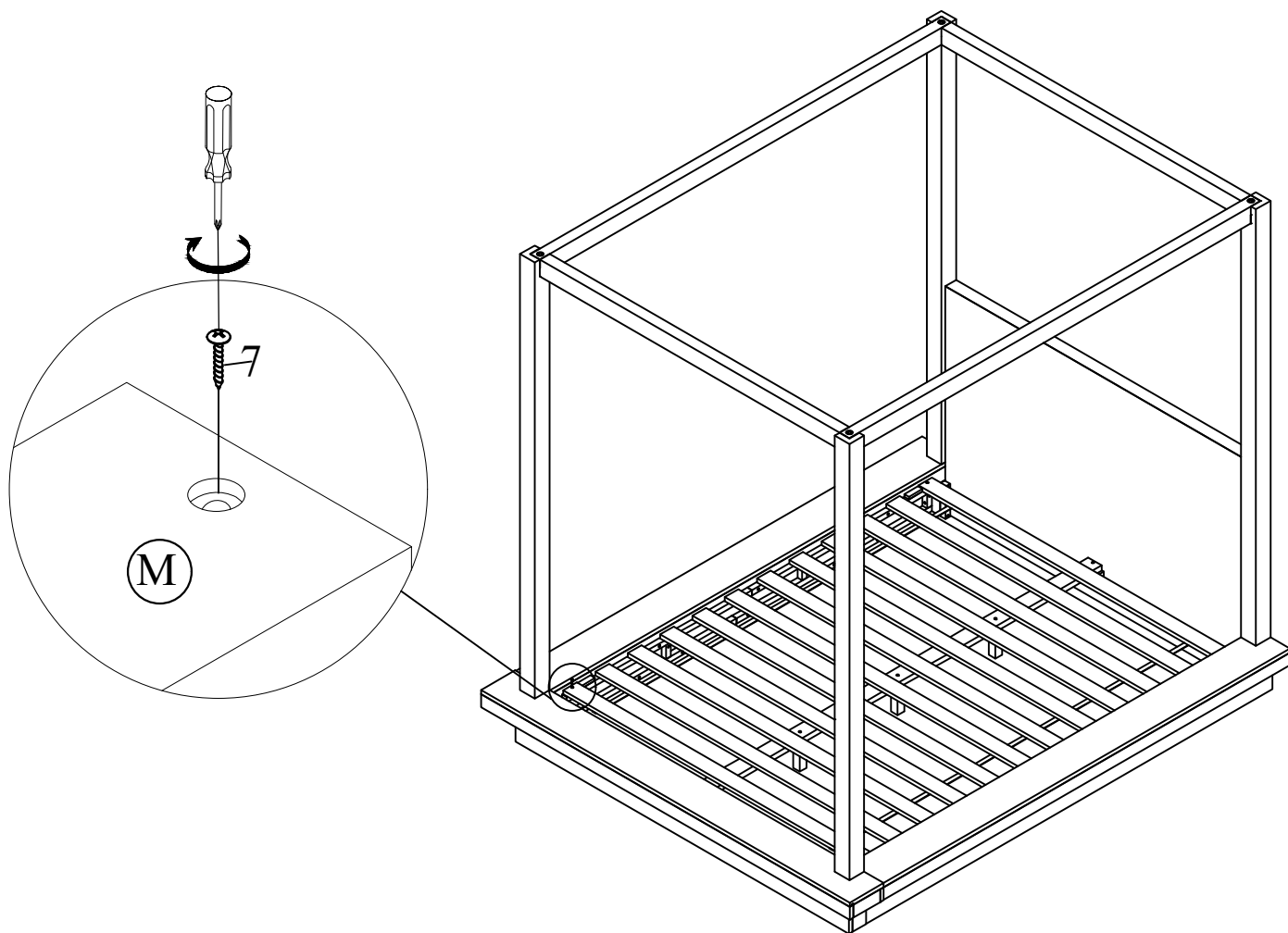
STEP 6:



STEP 7:



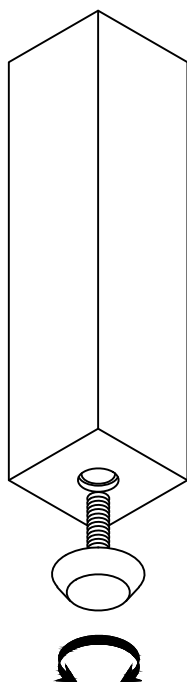
STEP 8:



INSTRUCTIONS FOR ADJUSTING LEVELER:

POSITION THE BED IN YOUR SPACE AND LOCATE THE LEVELER UNDER EACH SUPPORT LEG. TURN THE LEVELER COUNTER-CLOCKWISE TO EXTEND THE LEVELER AND CLOCKWISE TO RETRACT IT.

ADJUST EACH LEVELER UNTIL EACH SUPPORT LEG IS APPLYING EQUAL, UPWARD PRESSURE ON THE SUPPORT SLAT.



MAINTENANCE INSTRUCTIONS:

REMOVE YOUR MATTRESS, AND BOX SPRING IF APPLICABLE, BEFORE MOVING YOUR BED.

LIFT YOUR BED WHEN MOVING IT; DRAGGING CAN DAMAGE THE SUPPORTS.

RE-ADJUST THE LEVELERS AFTER MOVING YOUR BED.