


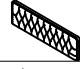


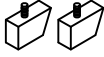
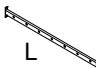
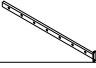

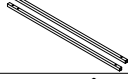
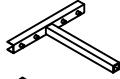
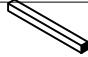


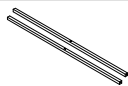
# ASSEMBLY INSTRUCTION

Item No : WF306746/ WF306747












Description : QUEEN BED/ FULL BED

Thank you for purchasing this quality product. Be sure to check all packing material carefully for small part that may have come loose inside the carton during shipment





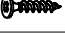

## PART LIST OF BED:

| No. | Description                | Sketch  | Quantity |
|-----|----------------------------|---|----------|
| A   | Headboard                  |    | 1PC      |
| B   | Footboard                  |    | 1PC      |
| C1  | Left Post                  |    | 1PC      |
| C2  | Right Post                 |    | 1PC      |
| D   | Wood Legs                  |    | 2PCS     |
| E1  | Side Rail                  |    | 2PCS     |
| E2  | Side Rail                  |   | 2PCS     |
| F   | Side Rail Support Legs     |  | 2PCS     |
| G   | Middle Support Slats       |  | 2PCS     |
| H   | Middle Legs                |  | 1PC      |
| J   | Reinforcement Legs         |  | 2PCS     |
| K   | Slats                      |  | 10PCS    |
| I   | Round Slats (use Bolt)     |  | 2PCS     |
| R   | Rectangle Slats (use Bolt) |  | 2PCS     |

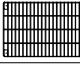


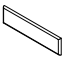
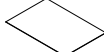
## HARDWARE LIST OF BED:

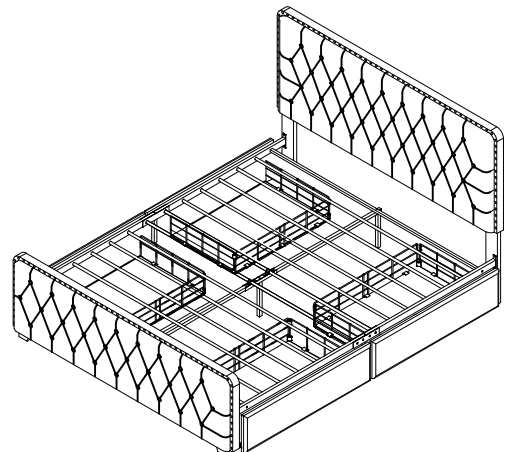
| No. | Description   | Sketch  | Size         | Quantity |
|-----|---------------|---|--------------|----------|
| 1   | Flat Bolt     |    | Ø5/16"x45mmL | 4PCS     |
| 2   | Flat Bolt     |    | Ø5/16"x25mmL | 8PCS     |
| 3   | Flat Bolt     |    | Ø1/4"x50mmL  | 6PCS     |
| 4   | Flat Bolt     |    | Ø1/4"x35mmL  | 4PCS     |
| 5   | Flat Bolt     |    | Ø1/4"x20mmL  | 8PCS     |
| 6   | Spring Washer |    | Ø5/16"       | 12PCS    |
| 7   | Flat Washer   |    | Ø5/16"       | 12PCS    |
| 8   | Spring Washer |    | Ø1/4"        | 12PCS    |
| 9   | Flat Washer   |   | Ø1/4"        | 18PCS    |
| 10  | Allen Key     |  | M4           | 1PC      |
| 11  | Strap 2 Holes |  | -            | 2PCS     |

## HARDWARE LIST OF DRAWERS:

|                |                            |   |             |       |
|----------------|----------------------------|---|-------------|-------|
| 12             | Wheel                      |  | -           | 16PCS |
| 13             | Flat Bolt                  |  | Ø1/4"*8mm   | 16PCS |
| 14             | Plastic Double Pipe Clamps |  | -           | 44PCS |
| 15             | Plastic Pipe Strap         |  | -           | 32PCS |
| 16             | Screw                      |  | Ø4*15mm     | 32PCS |
| (NOT PROVIDED) |                            |  | SCREWDRIVER |       |

## PART LIST OF DRAWERS:

|   |                              |   |      |
|---|------------------------------|---|------|
| L | Bottom Panel                 |  | 4PCS |
| M | Behind Side Panel            |  | 4PCS |
| N | Quarter Side Panel           |  | 8PCS |
| P | Upholstered Front Side Panel |  | 4PCS |
| Q | Bottom Cover Panel           |  | 4PCS |

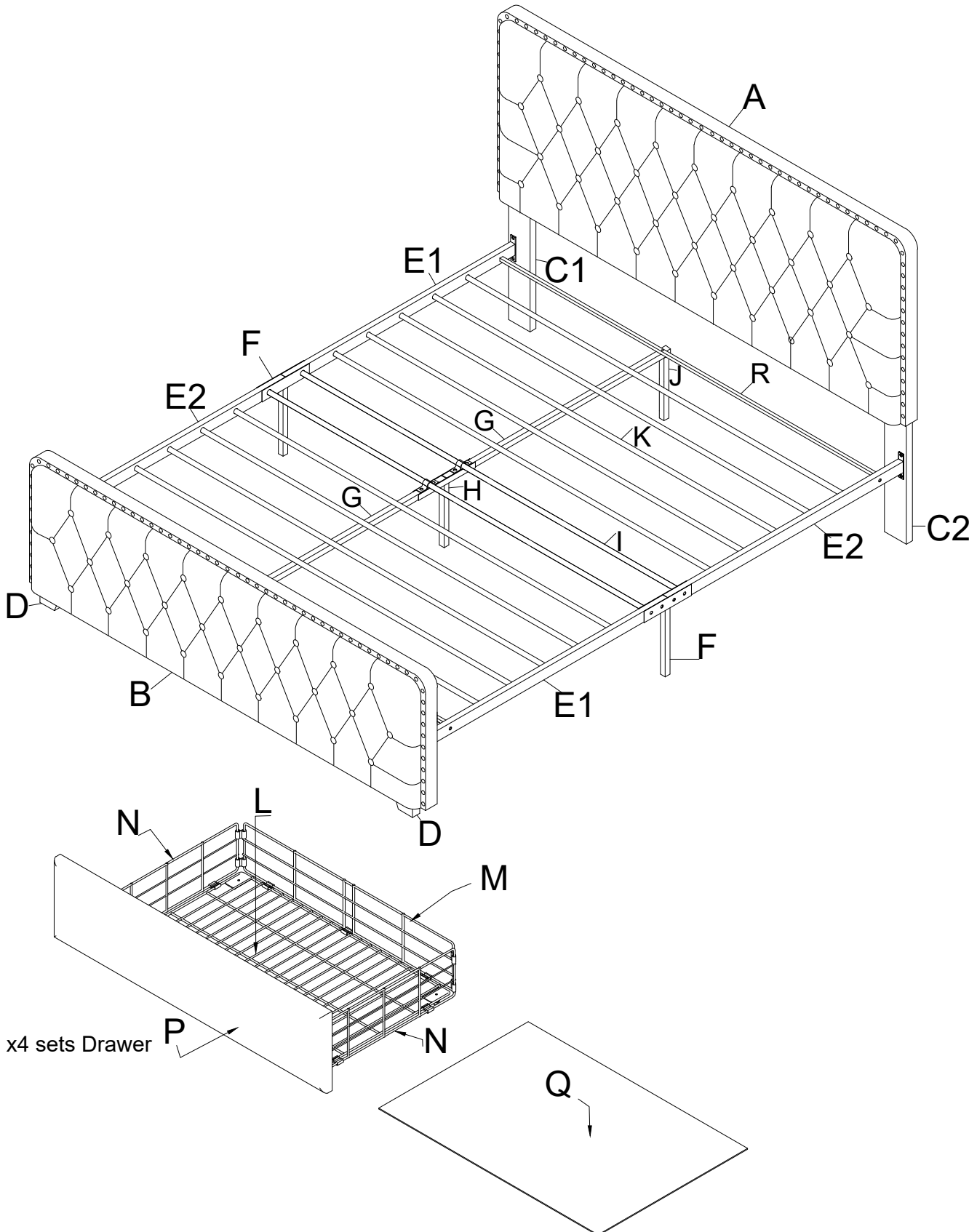


# ASSEMBLY INSTRUCTION

Item No : WF306746/ WF306747

Description : QUEEN BED/ FULL BED

Thank you for purchasing this quality product. Be sure to check all packing material carefully for small part that may have come loose inside the carton during shipment

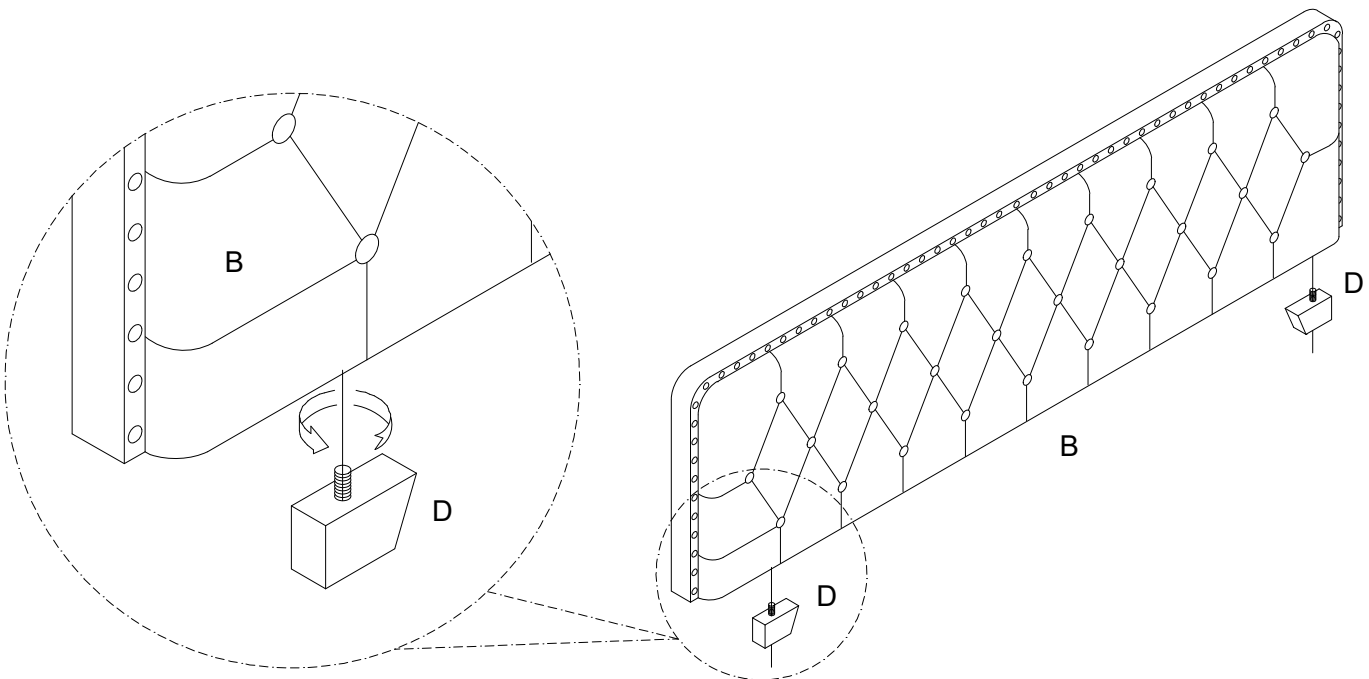
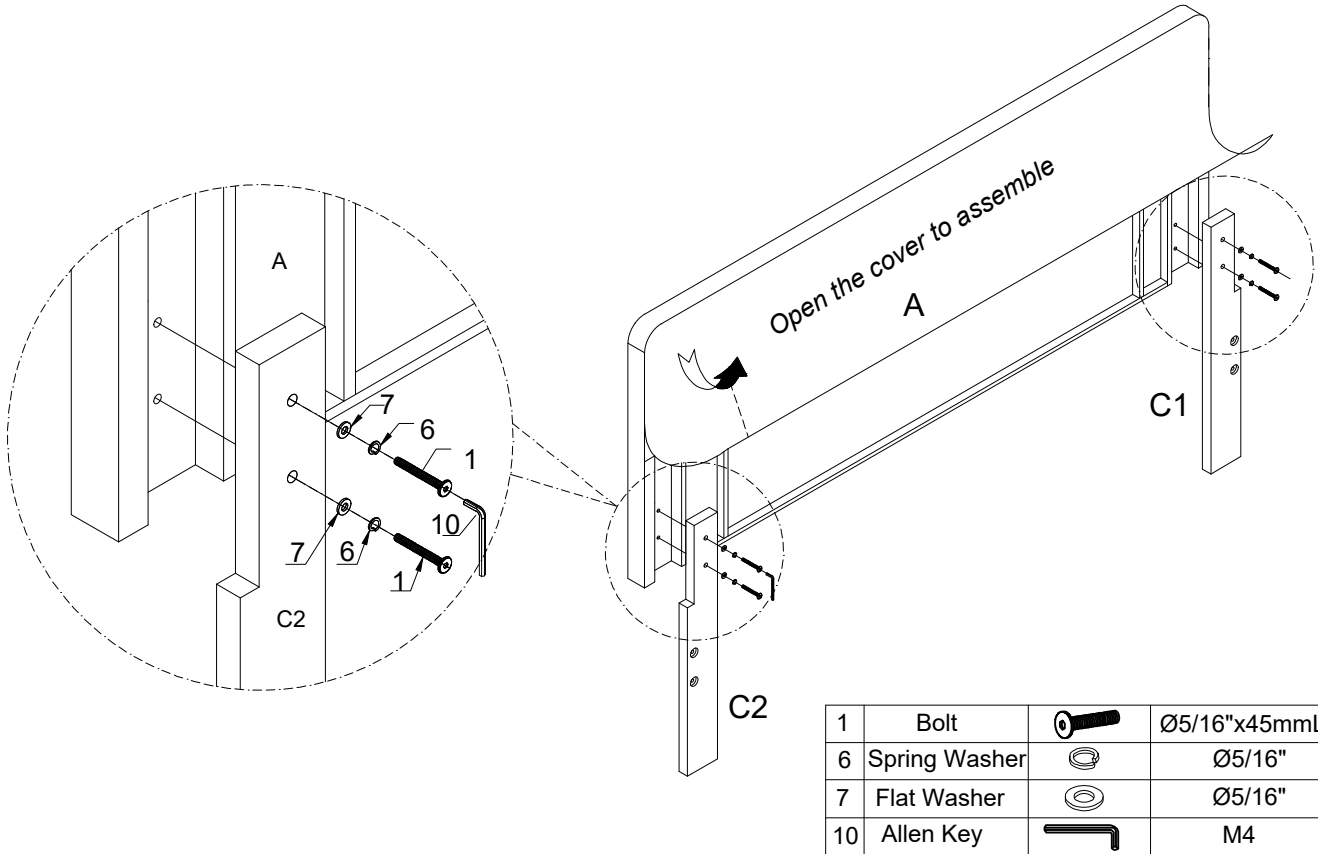


# ASSEMBLY INSTRUCTION

Item No : WF306746/ WF306747

Description : QUEEN BED/ FULL BED

Thank you for purchasing this quality product. Be sure to check all packing material carefully for small part that may have come loose inside the carton during shipment

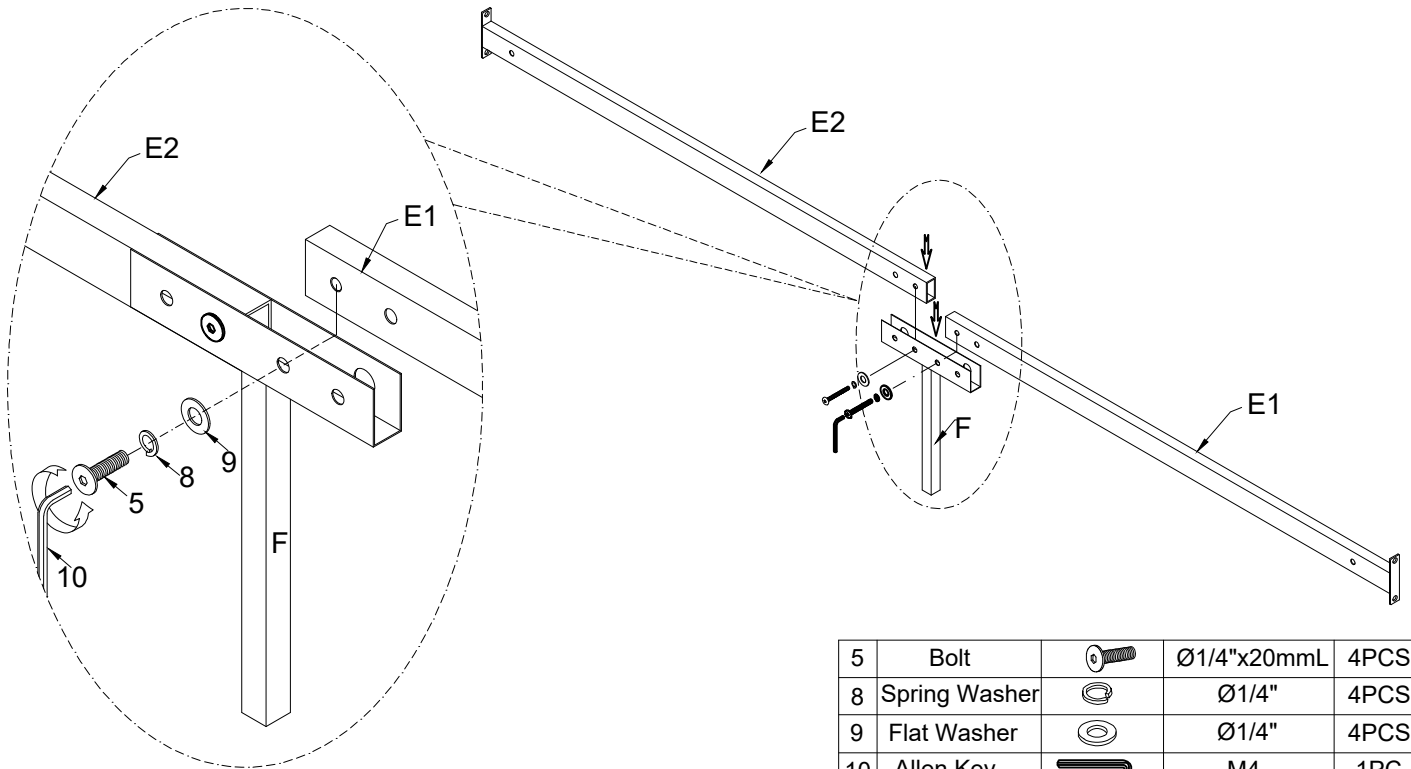






# ASSEMBLY INSTRUCTION

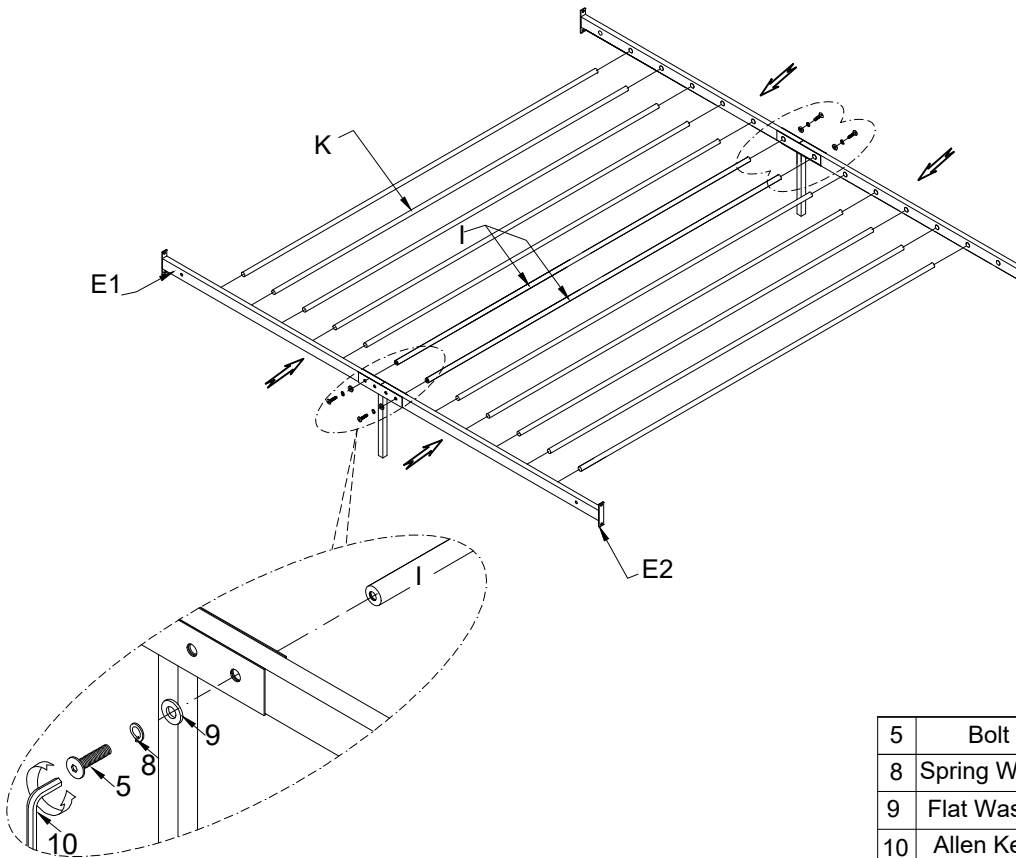
Item No : WF306746/ WF306747





Description : QUEEN BED/ FULL BED

Thank you for purchasing this quality product. Be sure to check all packing material carefully for small part that may have come loose inside the carton during shipment



|    |               |   |             |      |
|----|---------------|---|-------------|------|
| 5  | Bolt          |  | Ø1/4"x20mmL | 4PCS |
| 8  | Spring Washer |  | Ø1/4"       | 4PCS |
| 9  | Flat Washer   |  | Ø1/4"       | 4PCS |
| 10 | Allen Key     |  | M4          | 1PC  |



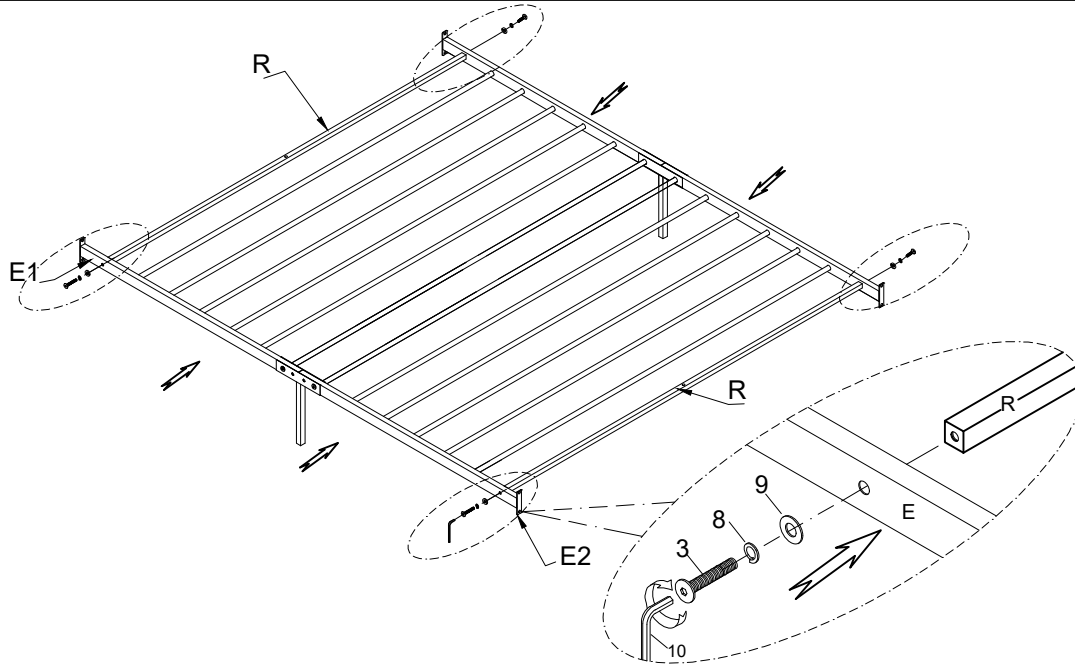
|    |               |   |             |      |
|----|---------------|---|-------------|------|
| 5  | Bolt          |  | Ø1/4"x20mmL | 4PCS |
| 8  | Spring Washer |  | Ø1/4"       | 4PCS |
| 9  | Flat Washer   |  | Ø1/4"       | 4PCS |
| 10 | Allen Key     |  | M4          | 1PC  |





# ASSEMBLY INSTRUCTION

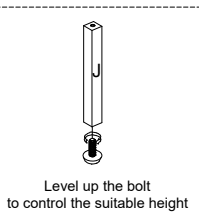
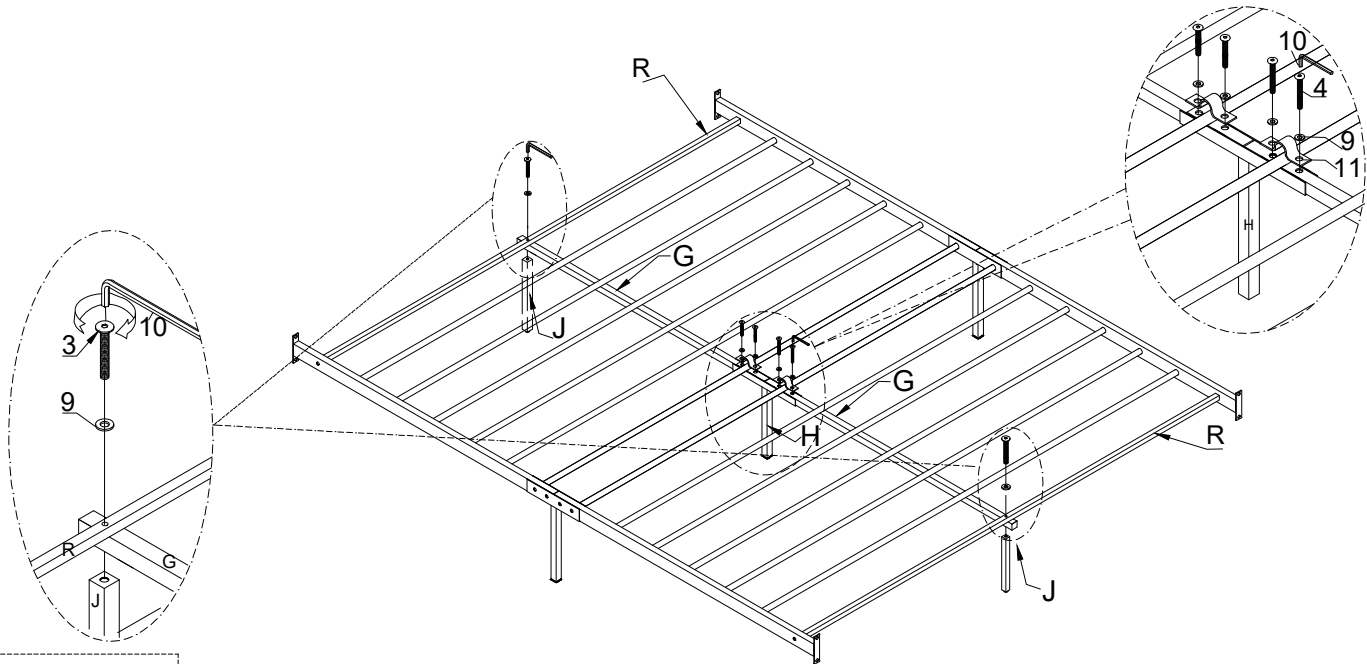
Item No : WF306746/ WF306747



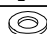


Description : QUEEN BED/ FULL BED

Thank you for purchasing this quality product. Be sure to check all packing material carefully for small part that may have come loose inside the carton during shipment



|    |               |   |             |      |
|----|---------------|---|-------------|------|
| 3  | Bolt          |  | Ø1/4"x50mmL | 4PCS |
| 8  | Spring Washer |  | Ø1/4"       | 4PCS |
| 9  | Flat Washer   |  | Ø1/4"       | 4PCS |
| 10 | Allen Key     |  | M4          | 1PC  |



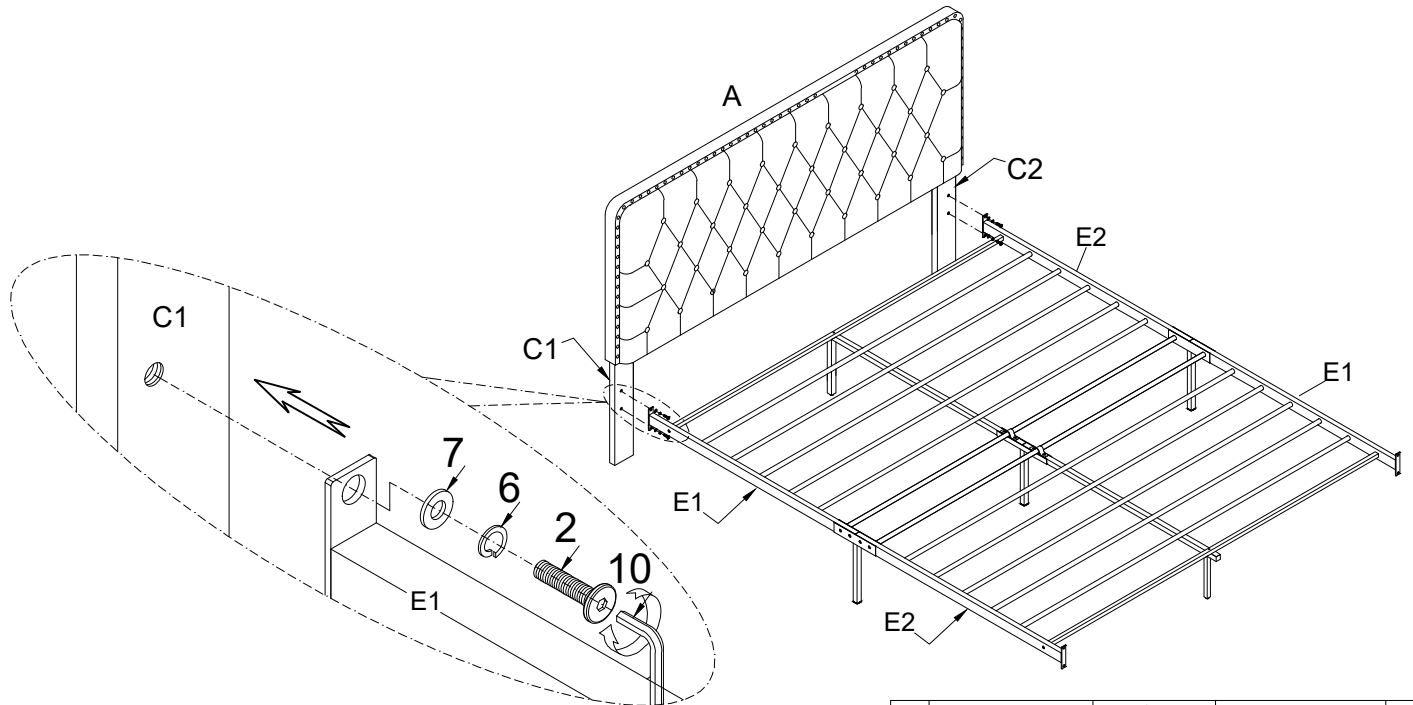
|    |               |   |             |      |
|----|---------------|---|-------------|------|
| 3  | Bolt          |  | Ø1/4"x50mmL | 2PCS |
| 4  | Bolt          |  | Ø1/4"x35mmL | 4PCS |
| 9  | Flat Washer   |  | Ø1/4"       | 6PCS |
| 10 | Allen Key     |  | M4          | 1PC  |
| 11 | Strap 2 Holes |  | -           | 2PCS |





# ASSEMBLY INSTRUCTION

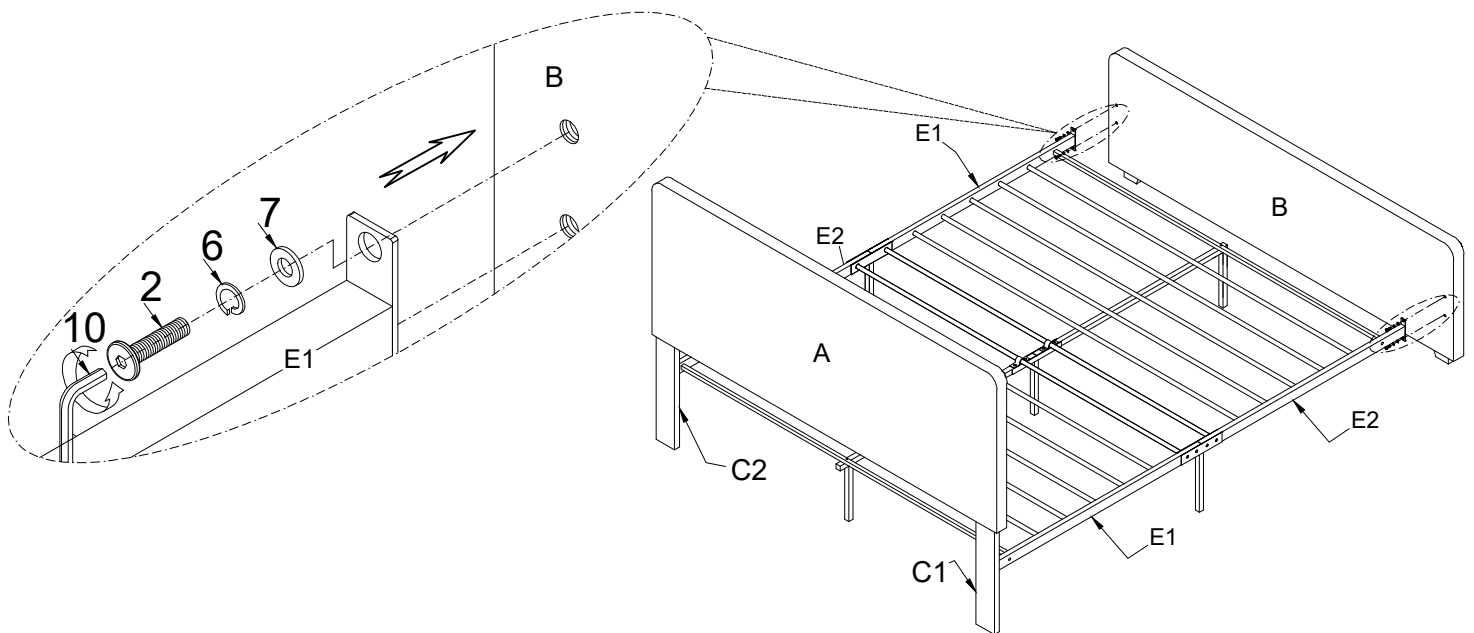
Item No : WF306746/ WF306747


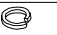
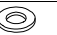

Description : QUEEN BED/ FULL BED

Thank you for purchasing this quality product. Be sure to check all packing material carefully for small part that may have come loose inside the carton during shipment



|    |               |   |              |      |
|----|---------------|---|--------------|------|
| 2  | Bolt          |  | Ø5/16"x25mmL | 4PCS |
| 6  | Spring Washer |  | Ø5/16"       | 4PCS |
| 7  | Flat Washer   |  | Ø5/16"       | 4PCS |
| 10 | Allen Key     |  | M4           | 1PC  |



|    |               |   |              |      |
|----|---------------|---|--------------|------|
| 2  | Bolt          |  | Ø5/16"x25mmL | 4PCS |
| 6  | Spring Washer |  | Ø5/16"       | 4PCS |
| 7  | Flat Washer   |  | Ø5/16"       | 4PCS |
| 10 | Allen Key     |  | M4           | 1PC  |

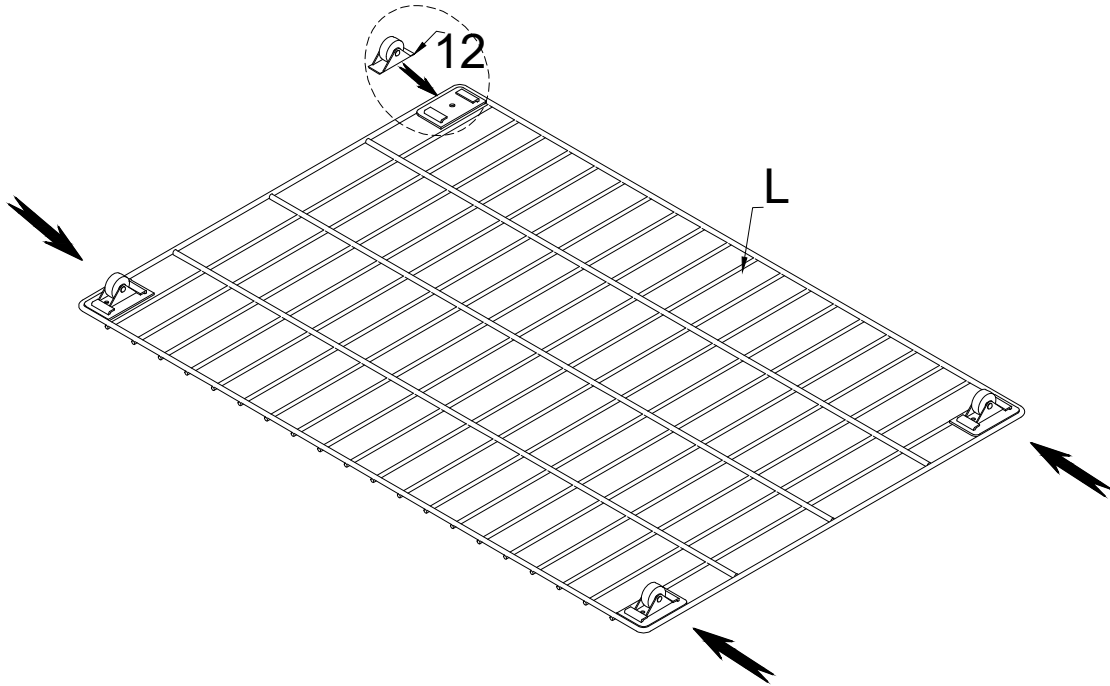
# ASSEMBLY INSTRUCTION


Item No : WF306746/ WF306747

Description : QUEEN BED/ FULL BED

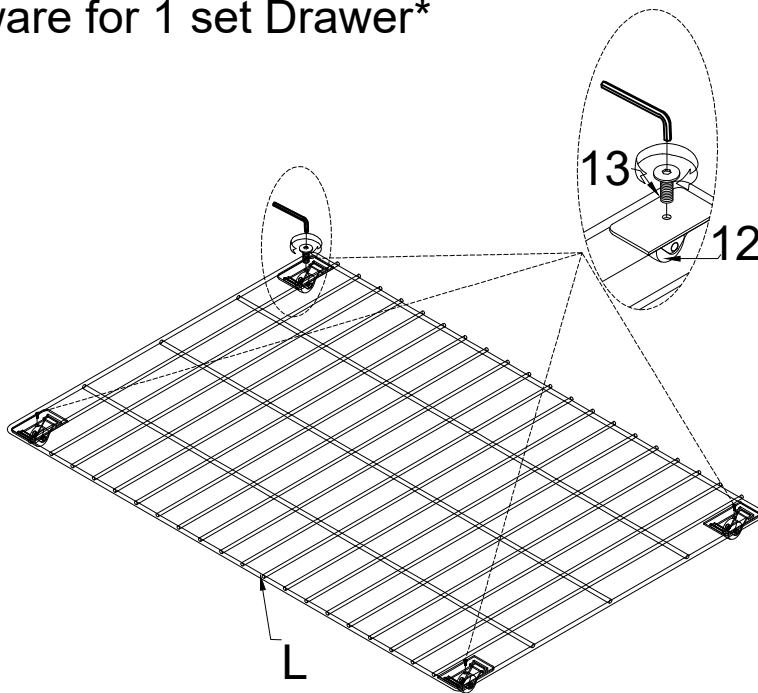
Thank you for purchasing this quality product. Be sure to check all packing material carefully for small part that may have come loose inside the carton during shipment

## \*Hardware for 1 set Drawer\*



|    |       |   |   |      |
|----|-------|---|---|------|
| 12 | Wheel |  | - | 4PCS |
|----|-------|---|---|------|

## \*Hardware for 1 set Drawer\*



|    |           |   |           |      |
|----|-----------|---|-----------|------|
| 13 | Flat Bolt |  | Ø1/4"*8mm | 4PCS |
|----|-----------|---|-----------|------|

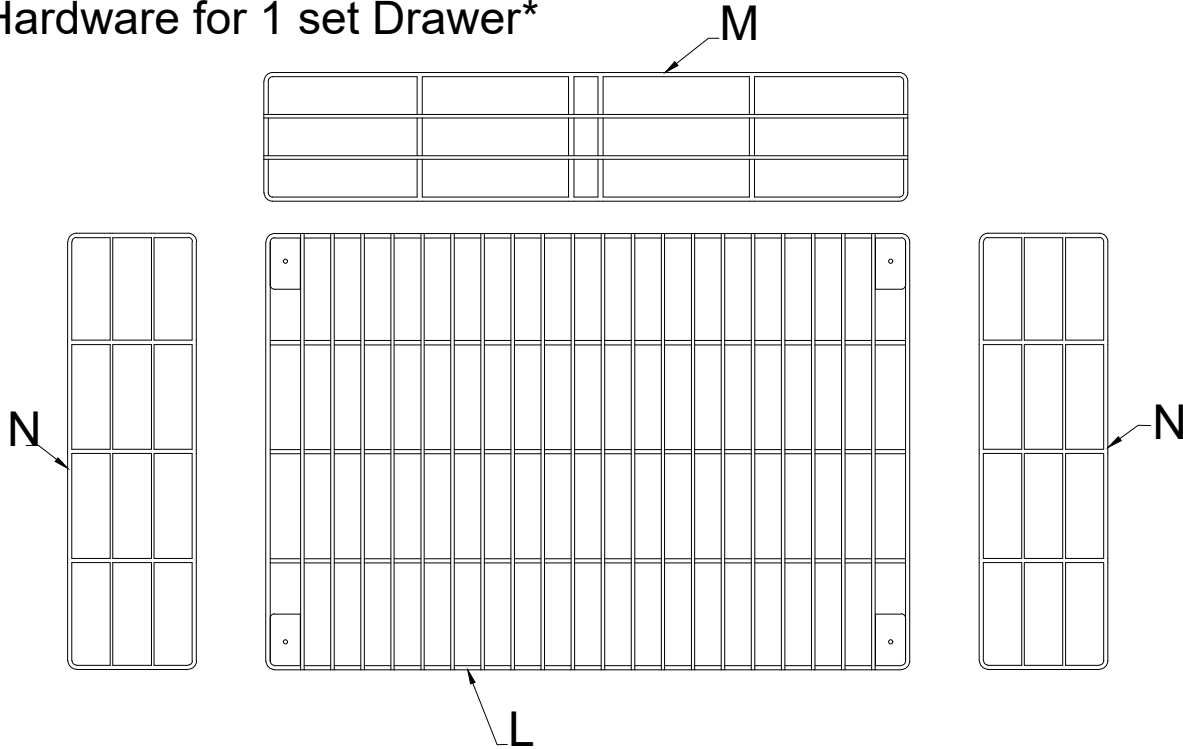
# ASSEMBLY INSTRUCTION

Item No : WF306746/ WF306747

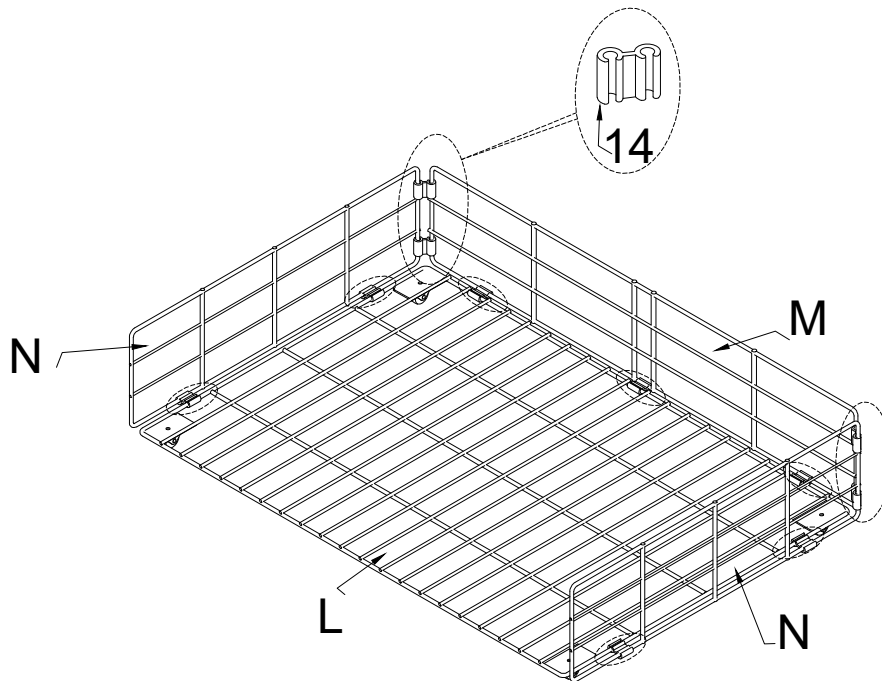
Description : QUEEN BED/ FULL BED

Thank you for purchasing this quality product. Be sure to check all packing material carefully for small part that may have come loose inside the carton during shipment

\*Hardware for 1 set Drawer\*



\*Hardware for 1 set Drawer\*



|    |                            |  |   |       |
|----|----------------------------|--|---|-------|
| 14 | Plastic Double Pipe Clamps |  | - | 11PCS |
|----|----------------------------|--|---|-------|

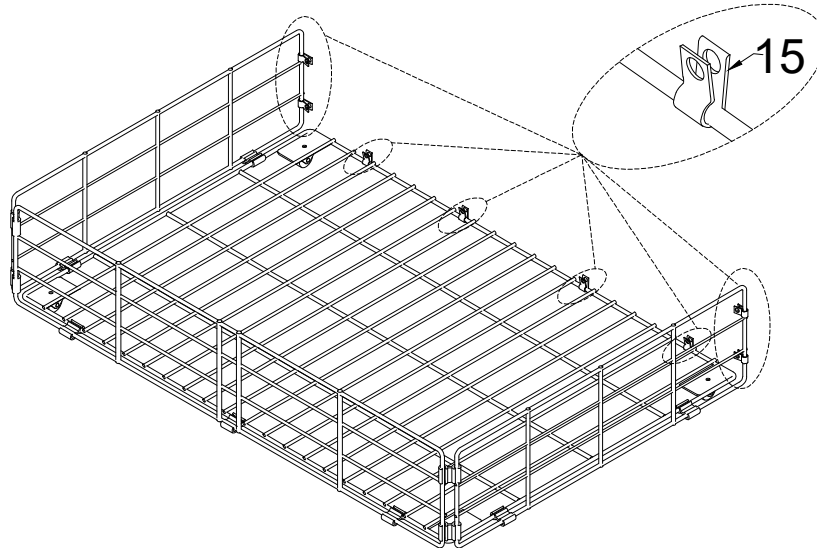
# ASSEMBLY INSTRUCTION

Item No : WF306746/ WF306747

Description : QUEEN BED/ FULL BED

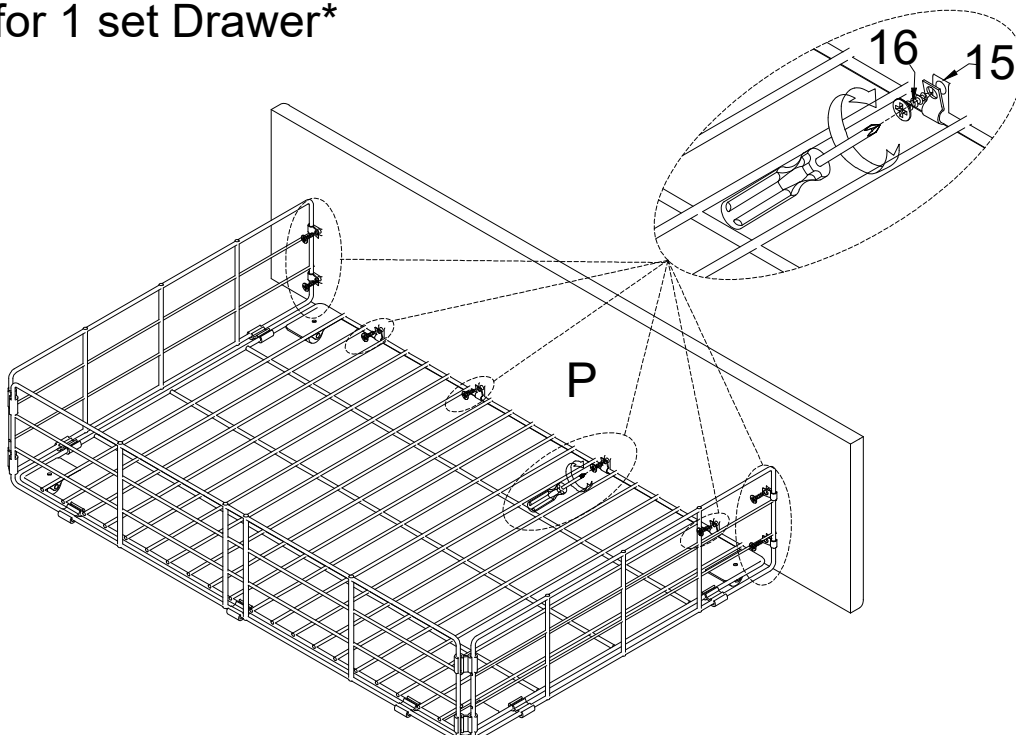
Thank you for purchasing this quality product. Be sure to check all packing material carefully for small part that may have come loose inside the carton during shipment

## \*Hardware for 1 set Drawer\*



|    |                    |  |   |      |
|----|--------------------|--|---|------|
| 15 | Plastic Pipe Strap |  | - | 8PCS |
|----|--------------------|--|---|------|

## \*Hardware for 1 set Drawer\*



|                |       |  |             |      |
|----------------|-------|--|-------------|------|
| 16             | Screw |  | Ø4*15mm     | 8PCS |
| (NOT PROVIDED) |       |  | SCREWDRIVER |      |

# ASSEMBLY INSTRUCTION

Item No : WF306746/ WF306747

Description : QUEEN BED/ FULL BED

Thank you for purchasing this quality product. Be sure to check all packing material carefully for small part that may have come loose inside the carton during shipment

\*Hardware for 1 set Drawer\*

