

ASSEMBLY INSTRUCTIONS



ASSEMBLY INSTRUCTIONS

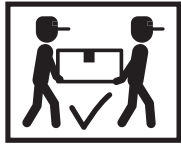
ASSEMBLY TIPS:

1. Remove hardware from box and sort by size.
2. Please check to see that all hardware and parts are present prior to start of assembly.
3. Please follow attached instructions in the same sequence as numbered to assure fast & easy assembly.



WARNING!

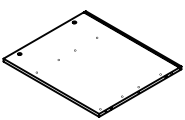
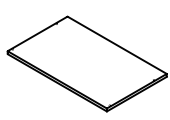
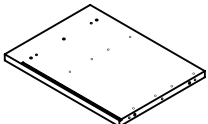
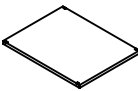
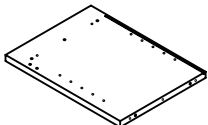
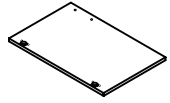
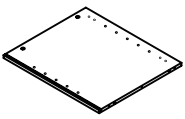
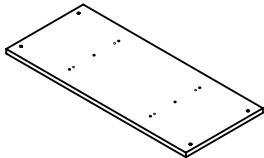
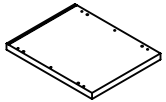
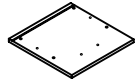
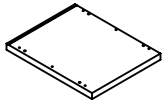
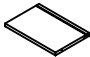
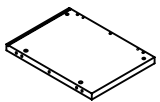
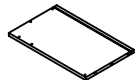
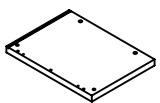
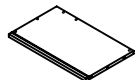
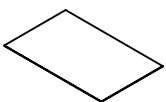

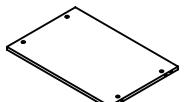

1. Don't attempt to repair or modify parts that are broken or defective. Please contact the store immediately.
2. This product is for home use only and not intended for commercial establishments.



ASSEMBLY TIME

70 MINUTES

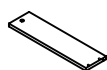
PARTS IDENTIFICATION

| | | | | | | | |
|---|-----------------------|---|------|---|-------------------------------|---|------|
| A | LEFT SIDE PANEL |  | 1 PC | K | KEYBOARD SHELF |  | 1 PC |
| B | LEFT DIVIDER PANEL |  | 1 PC | L | ADJUSTABLE SHELF |  | 1 PC |
| C | RIGHT DIVIDER PANEL |  | 1 PC | M | DOOR |  | 1 PC |
| D | RIGHT SIDE PANEL |  | 1 PC | N | LARGE TOP PANEL |  | 1 PC |
| E | LEFT BOTTOM PANEL |  | 1 PC | O | LARGE DRAWER FRONT PANEL |  | 1 PC |
| F | RIGHT BOTTOM PANEL |  | 1 PC | P | LARGE DRAWER BACK PANEL |  | 1 PC |
| G | SMALL LEFT TOP PANEL |  | 1 PC | Q | LARGE LEFT DRAWER SIDE PANEL |  | 1 PC |
| H | SMALL RIGHT TOP PANEL |  | 1 PC | R | LARGE RIGHT DRAWER SIDE PANEL |  | 1 PC |
| I | SMALL BACK PANEL |  | 2PCS | S | SMALL DRAWER FRONT PANEL |  | 1 PC |
| J | LARGE BACK PANEL |  | 1 PC | T | SMALL DRAWER BACK PANEL |  | 1 PC |

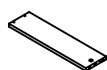
NOTE:

Phillips head screw driver is required in the assembly process; however, manufacturer does not provide this item.

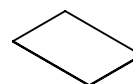
U SMALL LEFT
DRAWER SIDE
PANEL 1 PC



V SMALL RIGHT
DRAWER SIDE
PANEL 1 PC



W DRAWER
BOTTOM PANEL 2 PCS



Z

HARDWARE IDENTIFICATION

| NO | DESCRIPTION | FIGURE | Q'TY | NO | DESCRIPTION | FIGURE | Q'TY |
|----|--|--------|--------|----|---------------------------------------|--------|--------|
| 1 | GLUE 40g | | 1 PC | 12 | SCREW FOR EURO SLIDE (Ø 3x12mm SR) | | 28 PCS |
| 2 | WOODEN DOWEL Ø 8x30mm | | 38 PCS | 13 | HANDLE L=120mm | | 3 PCS |
| 3 | CAM BOLT (Ø 7x35.5mm SR) | | 20 PCS | 14 | HANDLE BOLT (Ø 4x28mm SR) | | 6 PCS |
| 4 | CAM LOCK (Ø15x12mm SR) | | 20 PCS | 15 | FOOT 50x50x18mm | | 8 PCS |
| 5 | BOLT (Ø 9.5x55mm) FOR BOTTOM PANEL | | 12 PCS | 16 | LONG SCREW (Ø 5x23mm BLK) | | 16 PCS |
| 6 | SCREW FOR DRAWER (Ø4.3x35mm SR) | | 8 PCS | 17 | HINGE (Ø 26 SR) | | 2 PCS |
| 7 | DOOR CATCH | | 1 PC | 18 | SCREW FOR HINGE (Ø 4x15mm SR) | | 8 PCS |
| 8 | PIN (Ø 4.9x8mm SR) | | 4 PCS | 19 | IRON BAR L=80mm | | 4 PCS |
| 9 | RAIL (L = 350mm SR) | | 1 SET | 20 | BOLT FOR IRON BAR (M6x42mm SR) | | 4 PCS |
| 10 | SCREW FOR RAIL (Ø 3.5x12mm SR) | | 10 PCS | 21 | IRON BAR Ø 9.5x311mm SR | | 2 PCS |
| 11 | EURO SLIDE (L = 450mm WHT) | | 2 SET | 22 | STICKER Ø 20mm | | 4 PCS |

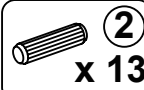

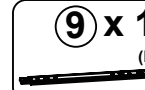
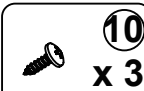
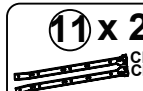
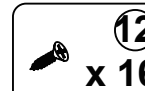
Z9,Z10,Z11,Z13,Z14,Z15,Z17,Z19,Z21 not included in blister packaging.

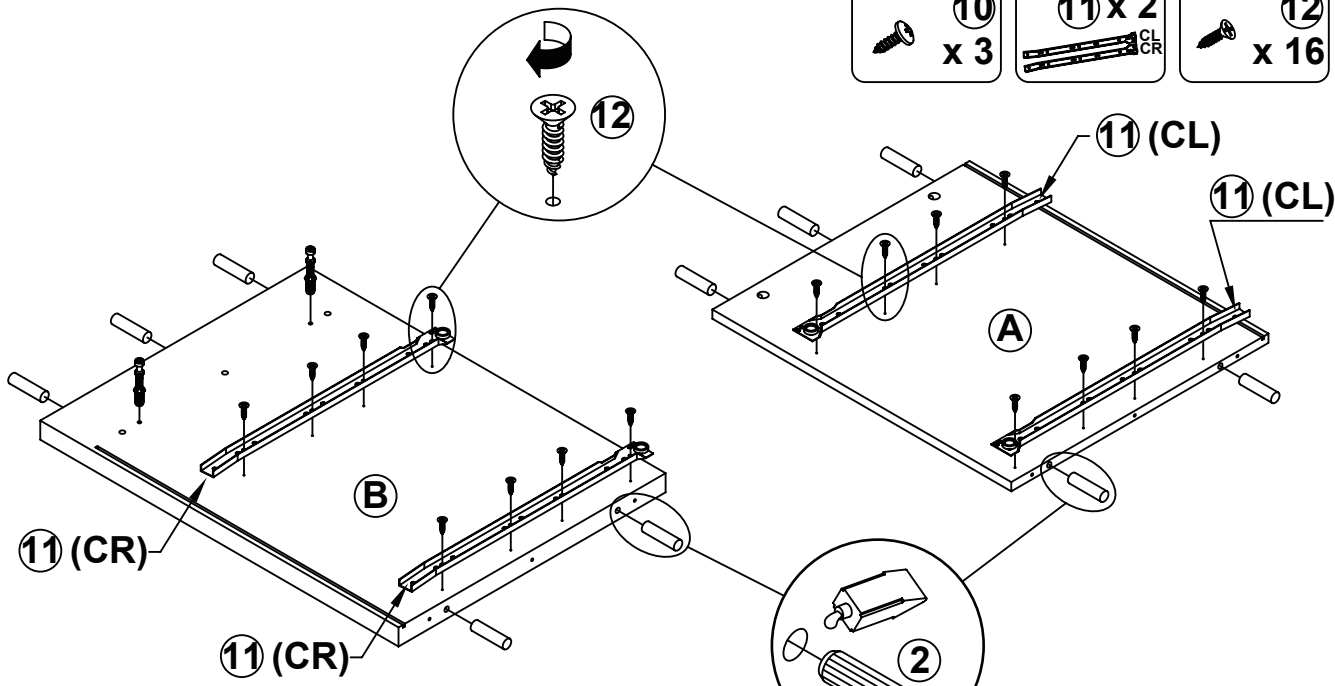
NOTE:

Phillips head screw driver is required in the assembly process; however, manufacturer does not provide this item.

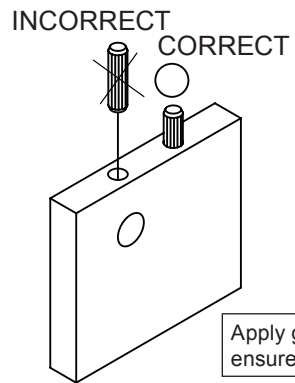
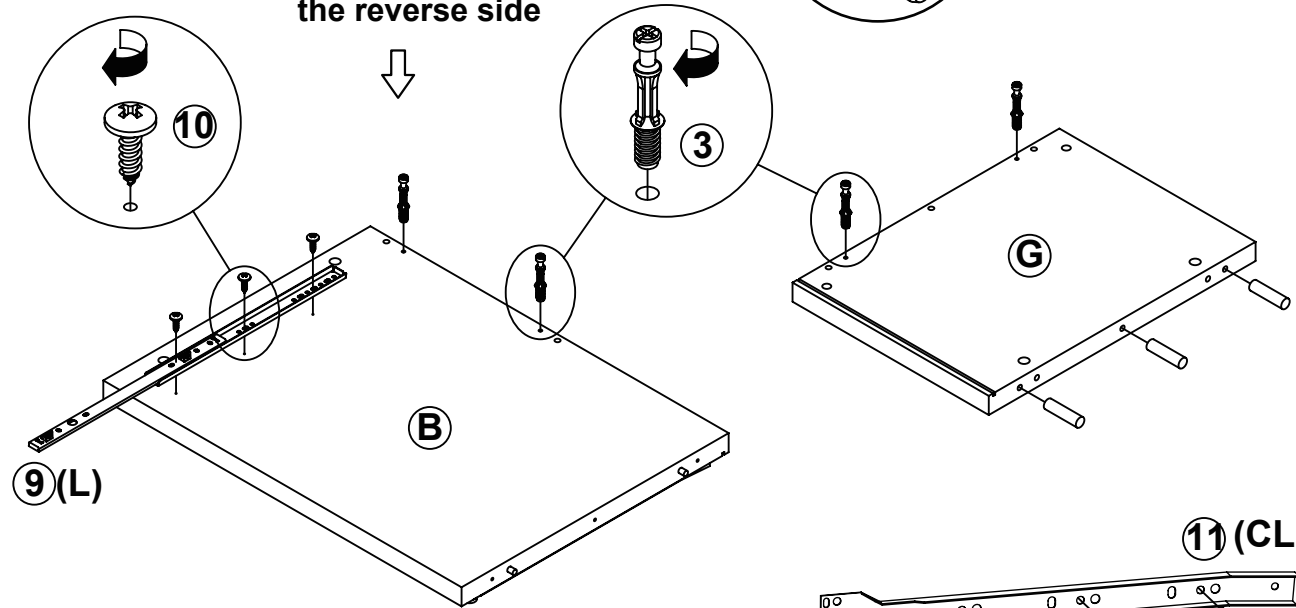
ITEM:

STEP 1

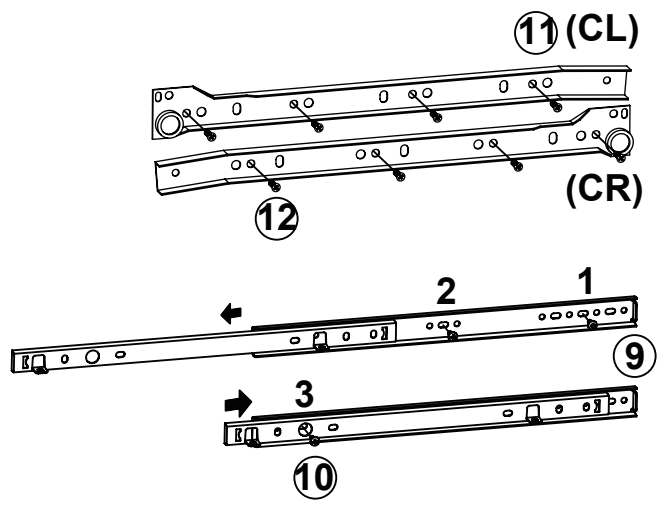
- | | | |
|--|---|--|
|  ② x 13 |  ③ x 6 |  ⑨ x 1 (L) |
|  ⑩ x 3 |  ⑪ x 2 CL CR |  ⑫ x 16 |



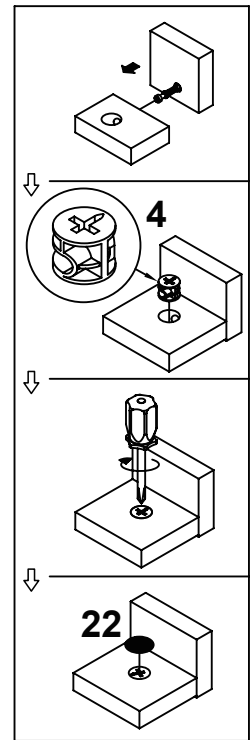
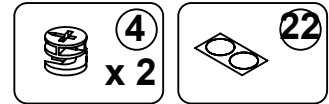
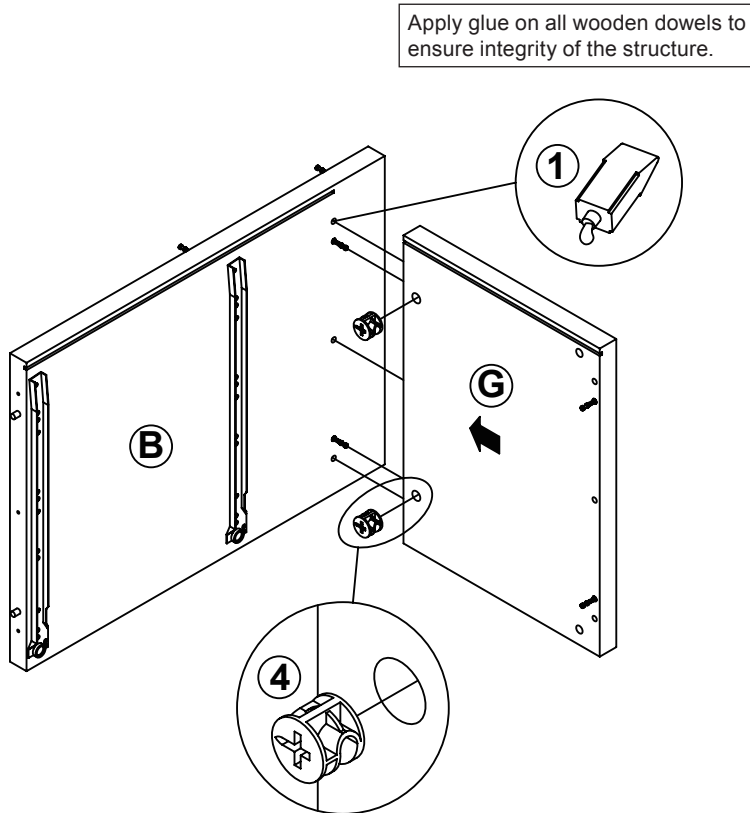
the reverse side



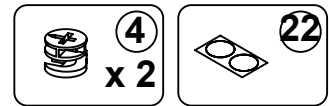
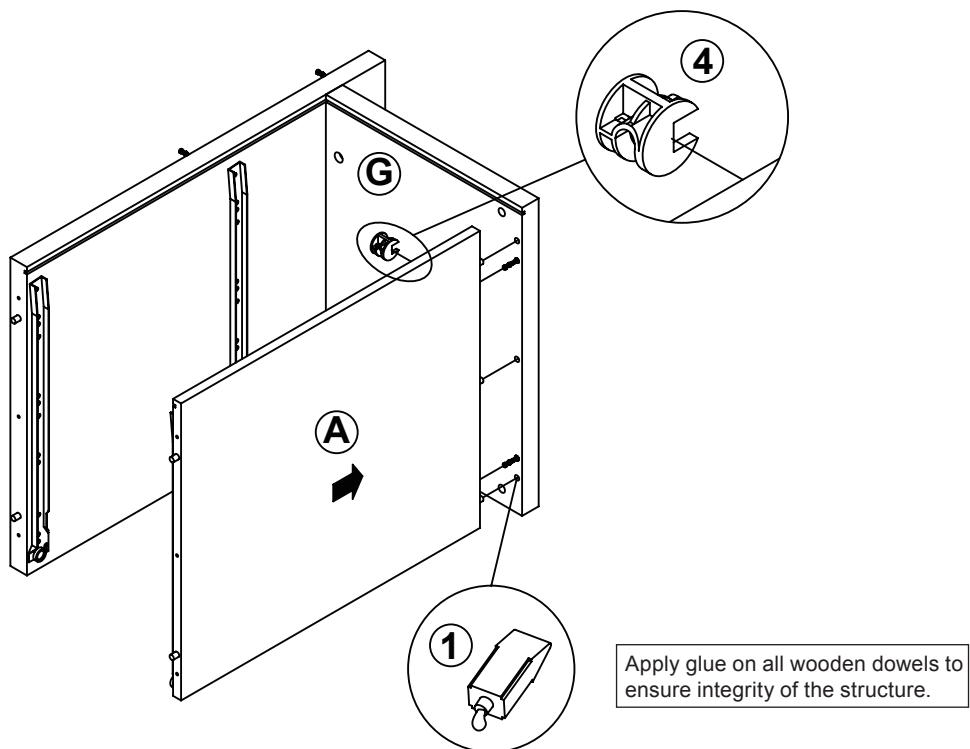
Apply glue on all wooden dowels to ensure integrity of the structure.



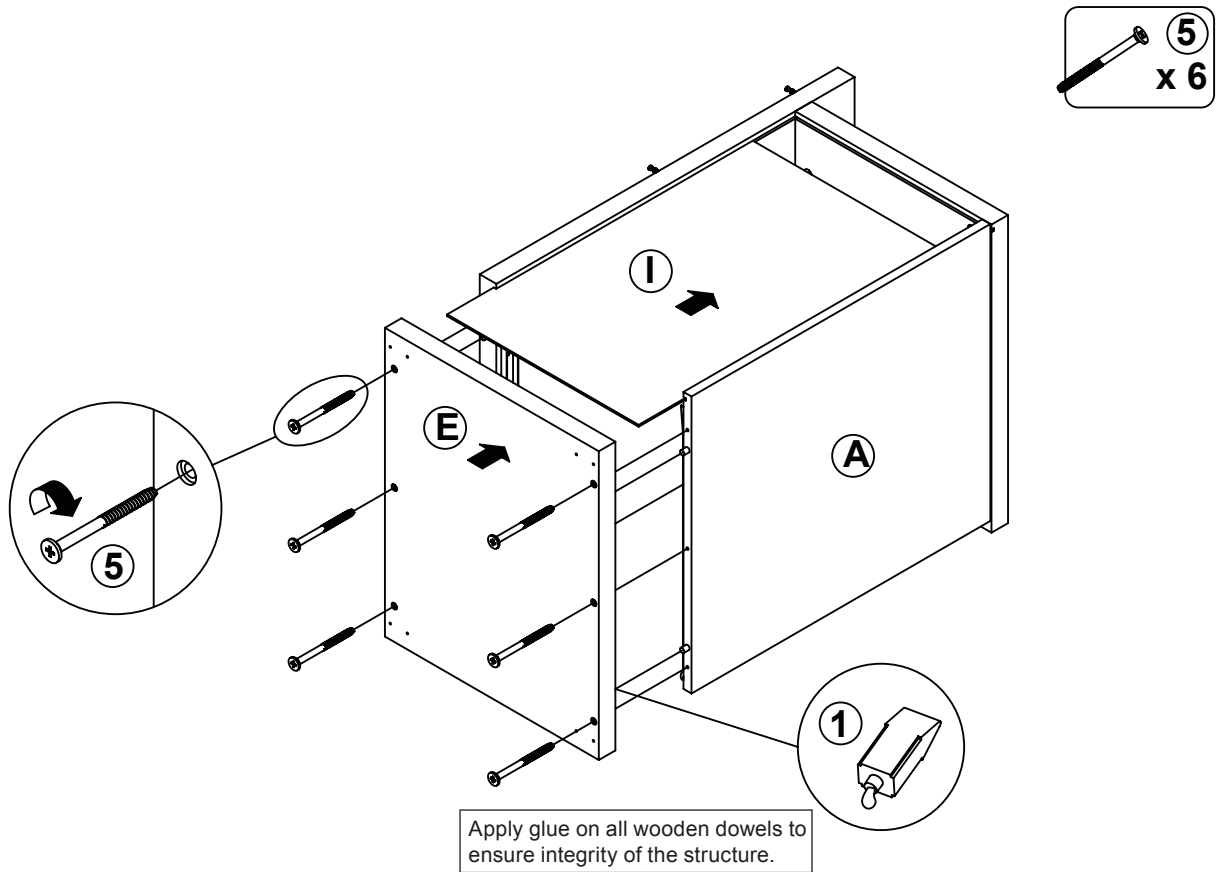
STEP 2



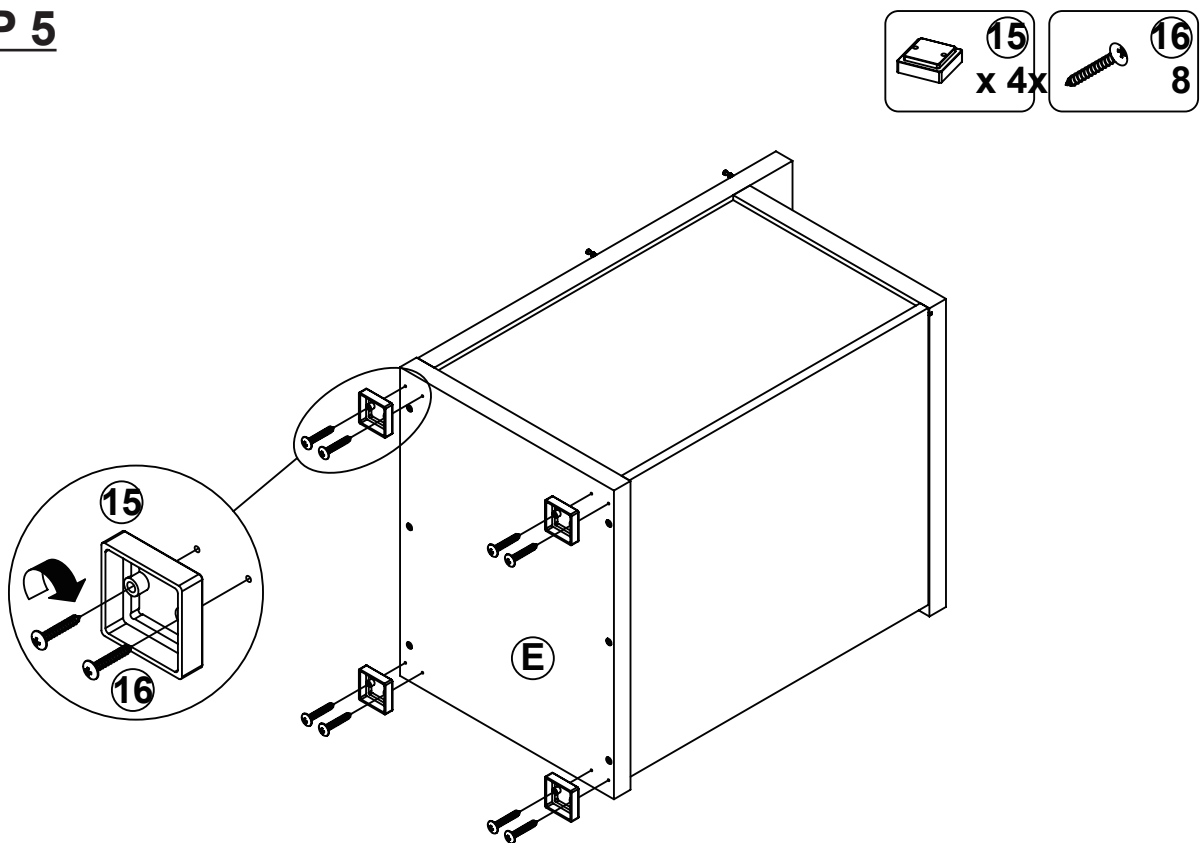
STEP 3



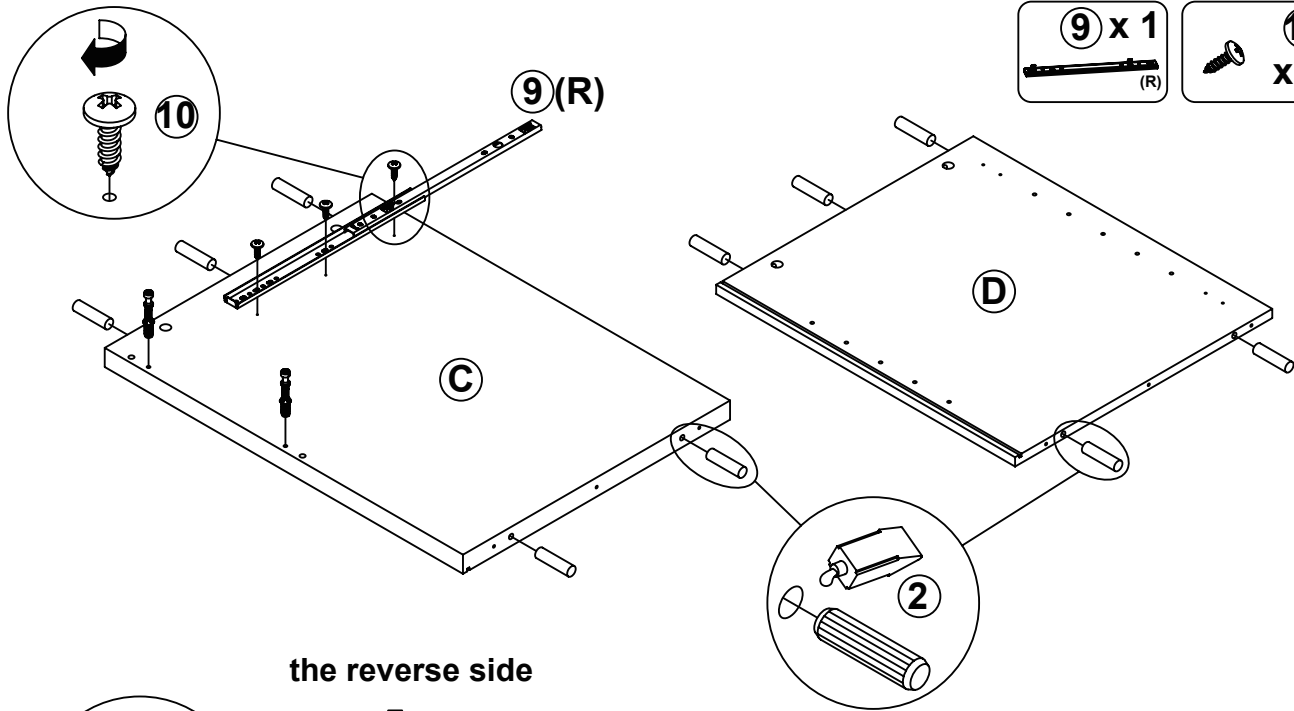
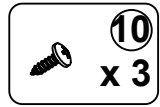
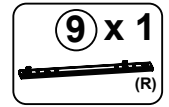
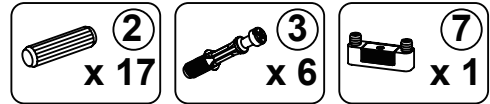
STEP 4



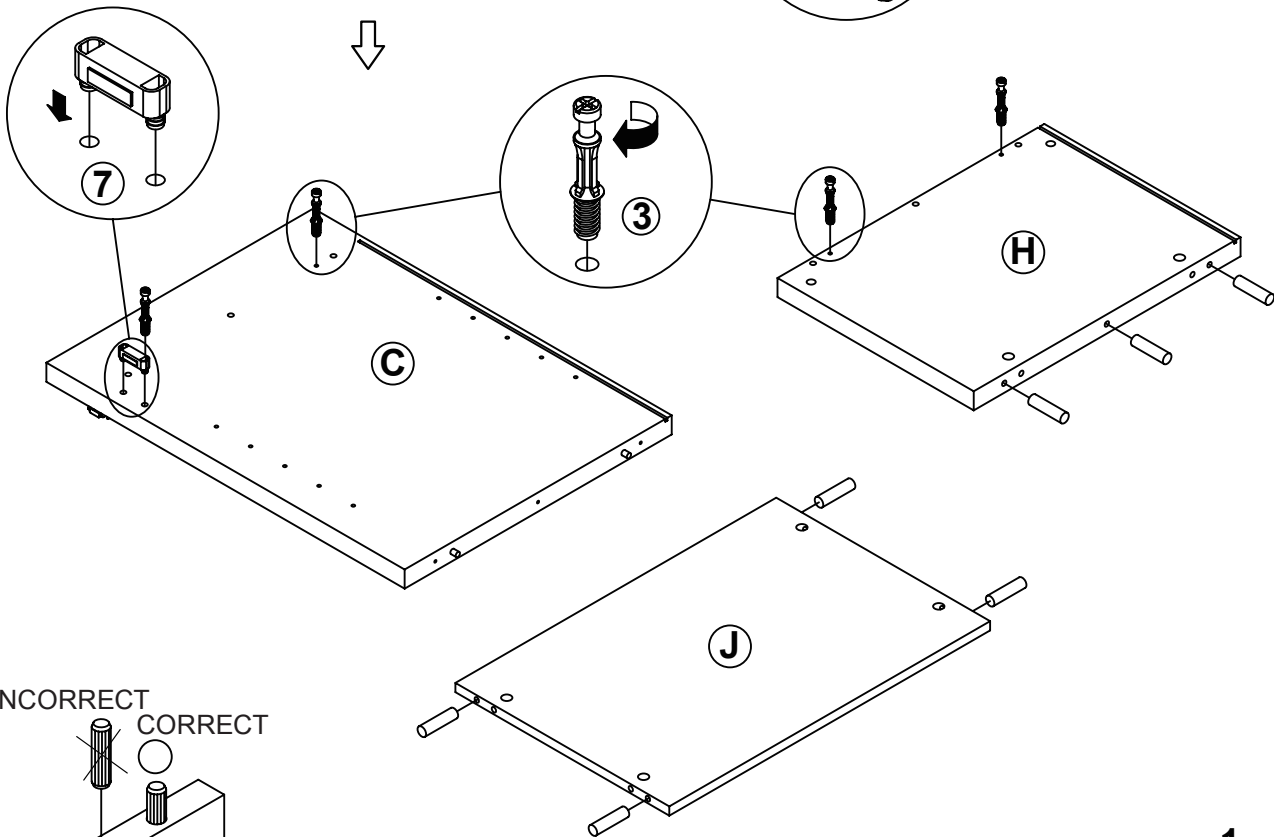
STEP 5



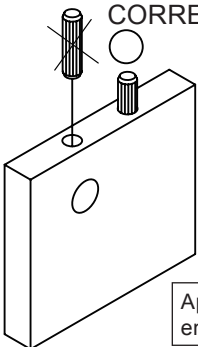
STEP 6



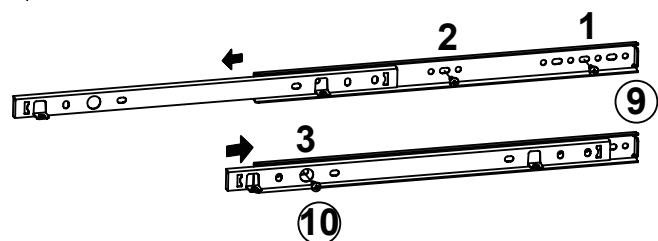
the reverse side



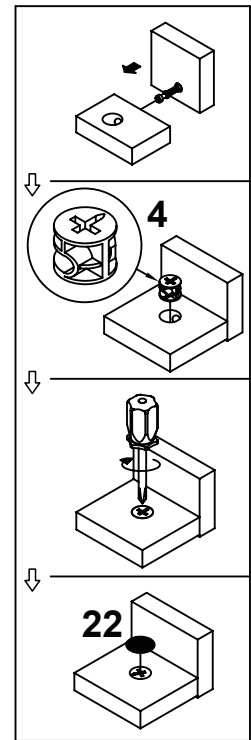
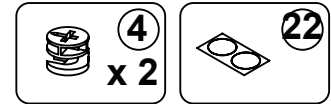
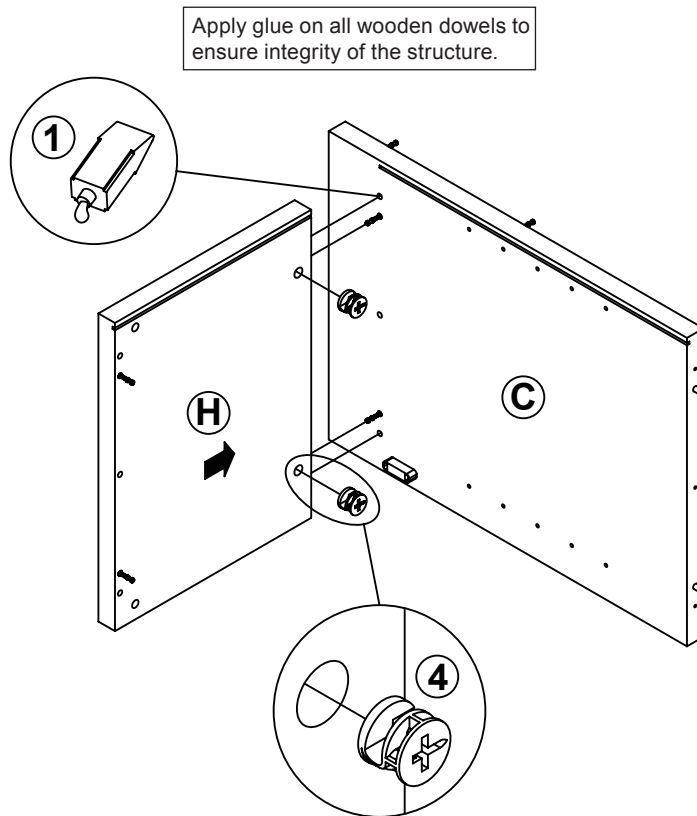
INCORRECT
CORRECT



Apply glue on all wooden dowels to ensure integrity of the structure.

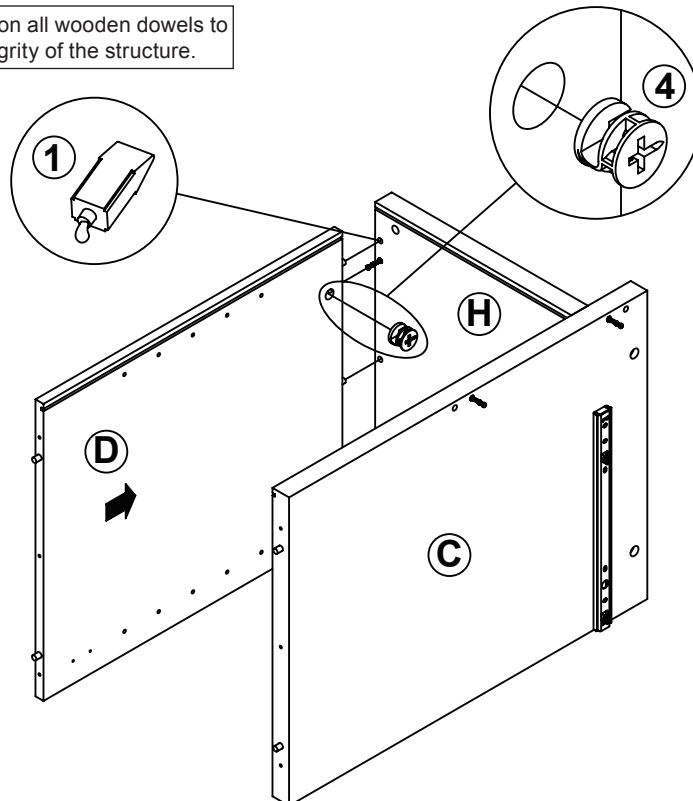


ITEM:
STEP 7

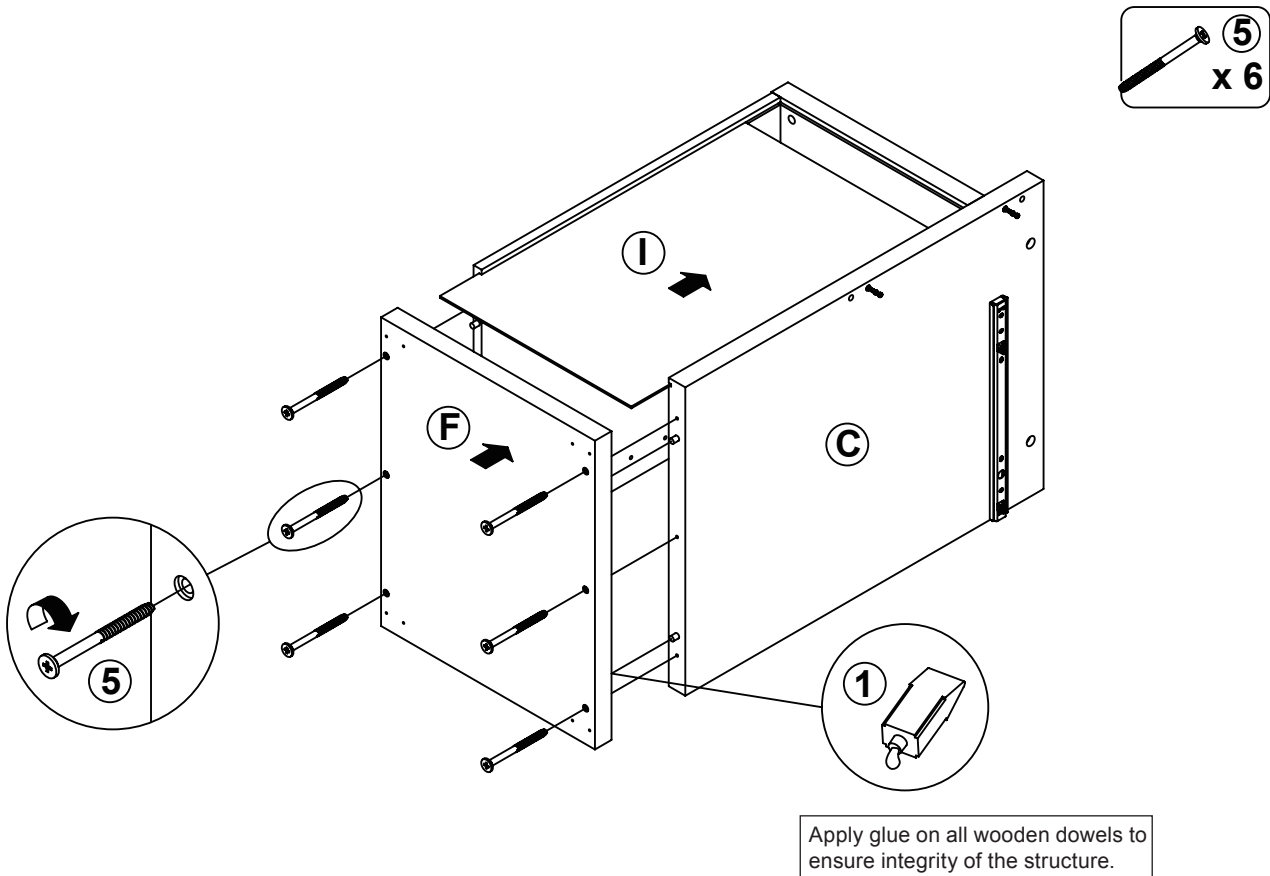


STEP 8

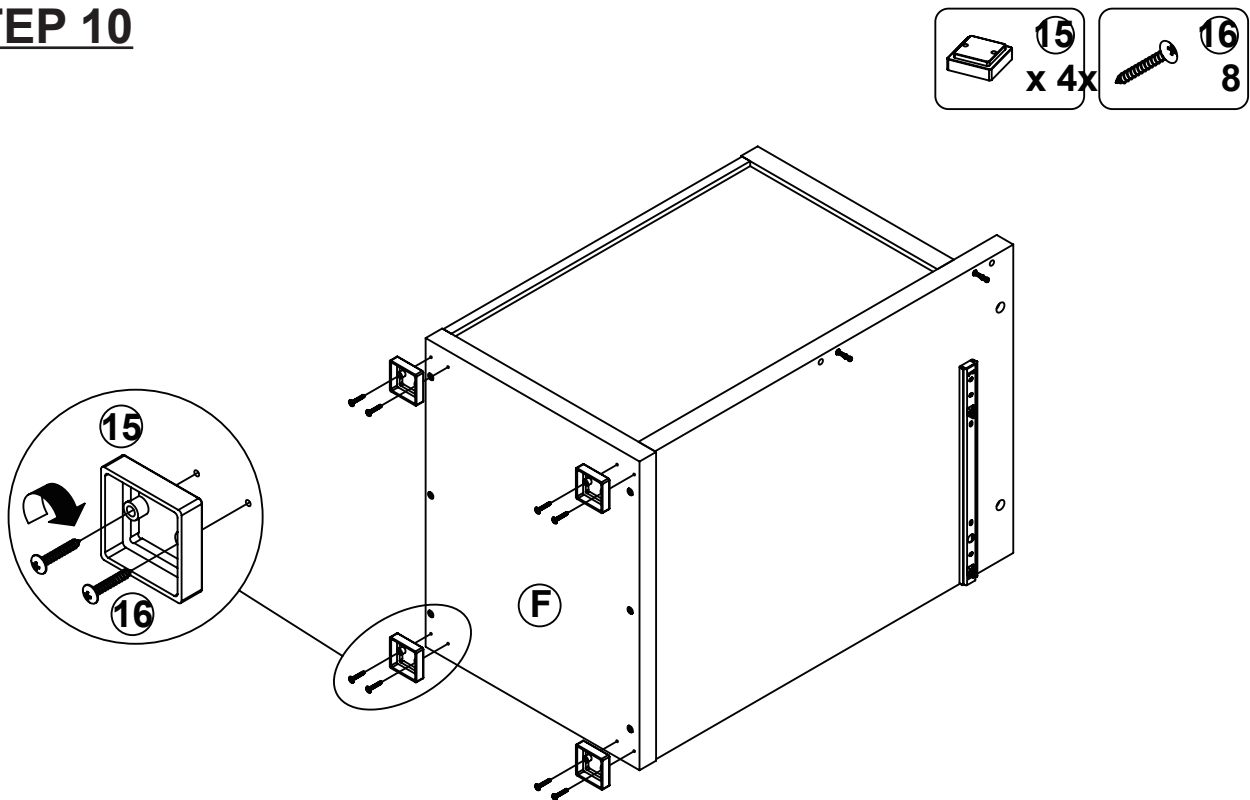
Apply glue on all wooden dowels to ensure integrity of the structure.



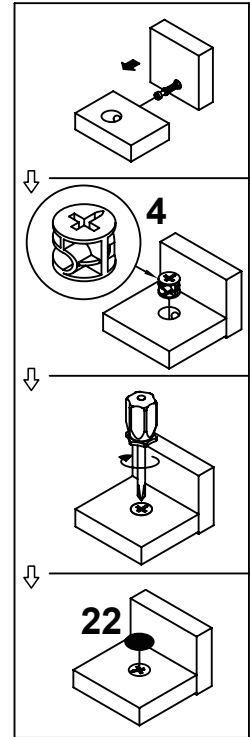
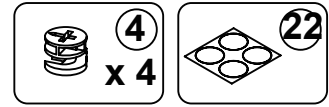
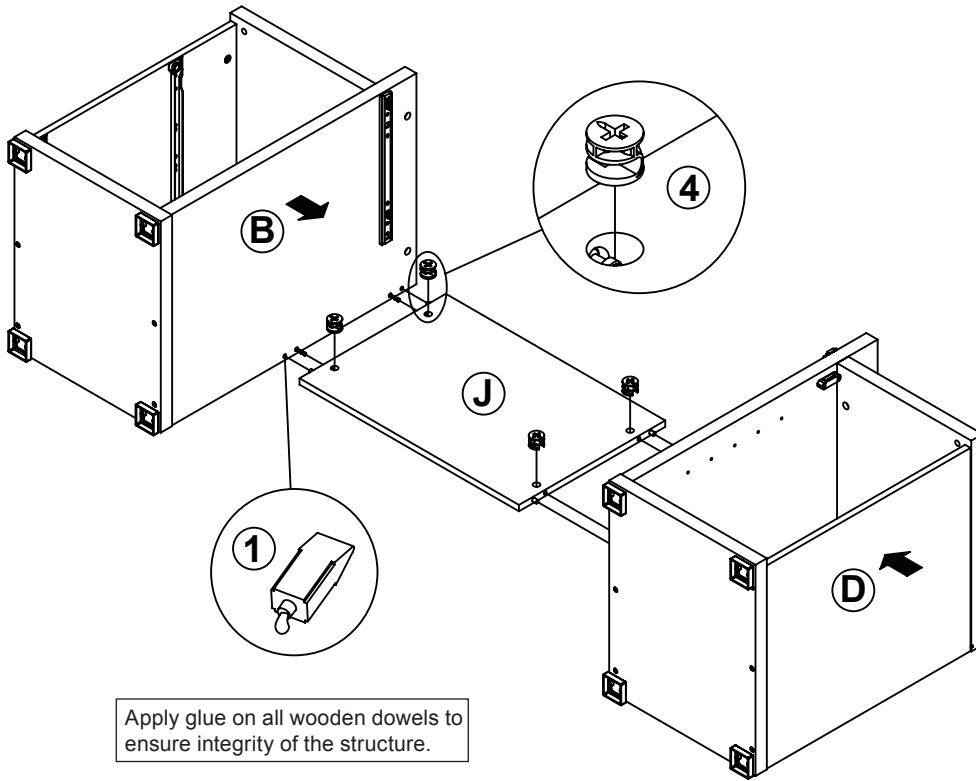
STEP 9



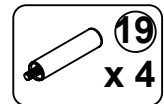
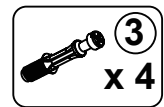
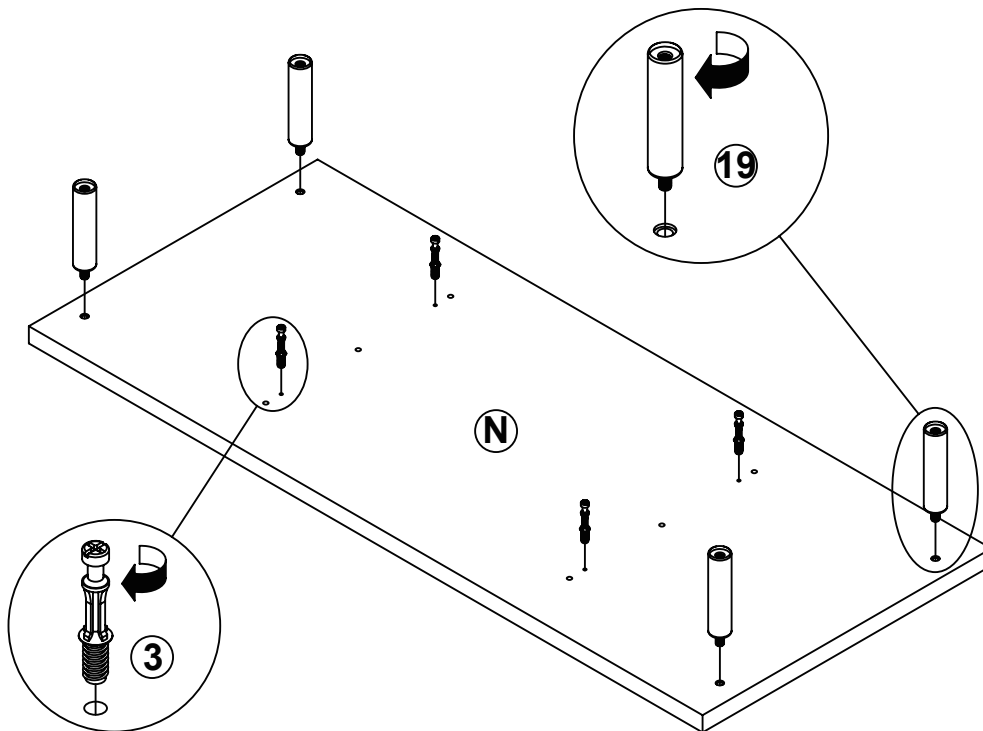
STEP 10



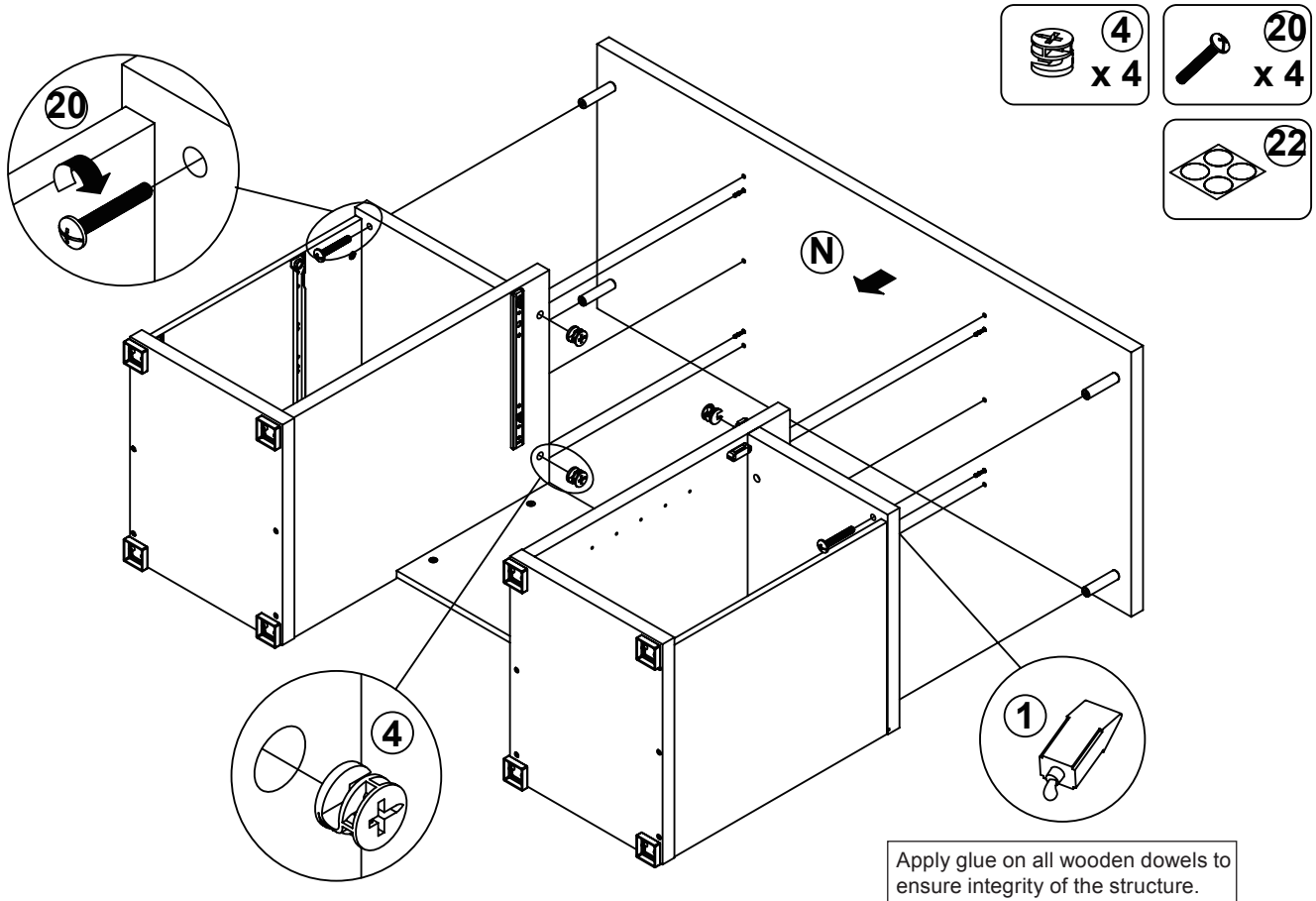
STEP 11



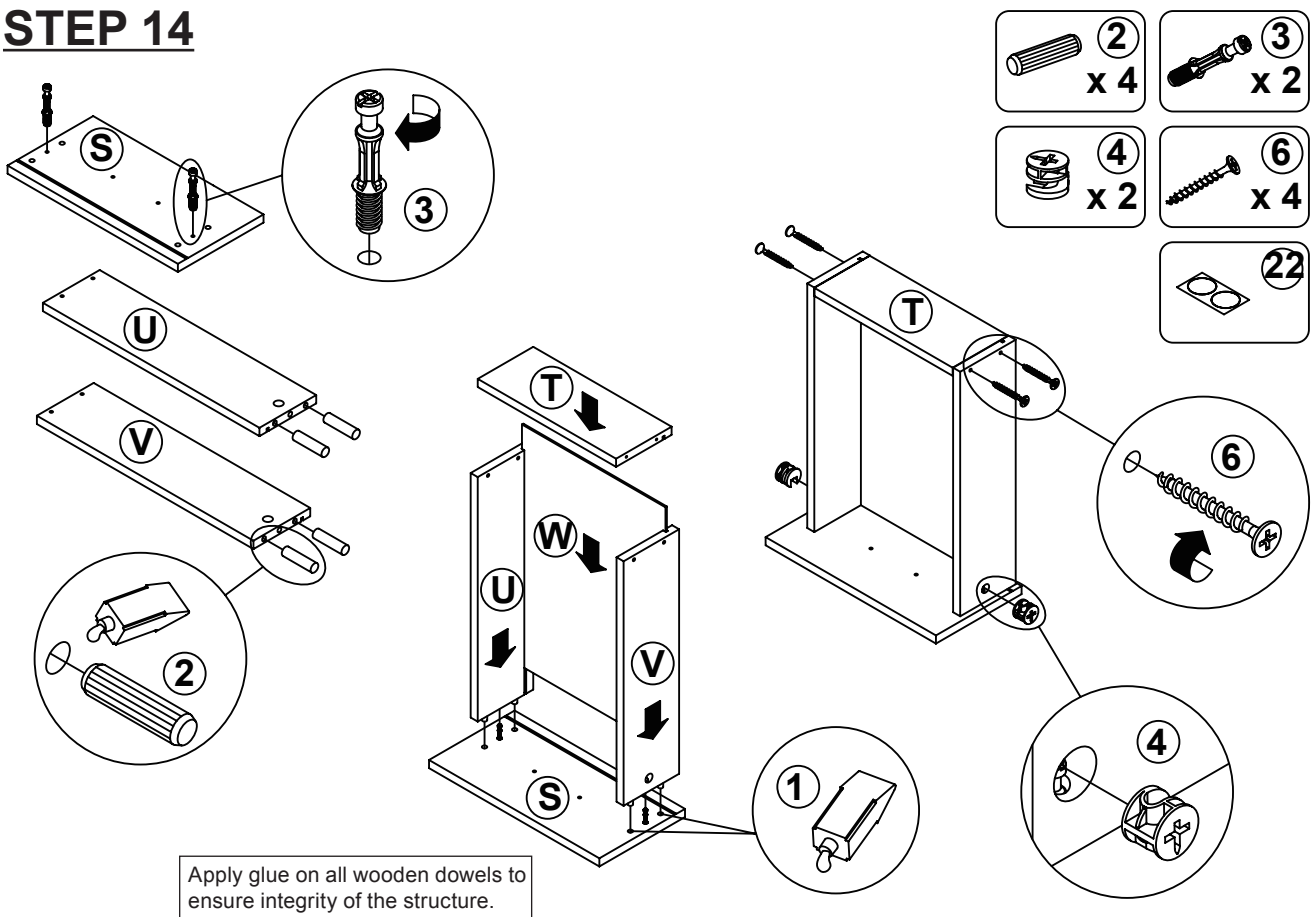
STEP 12



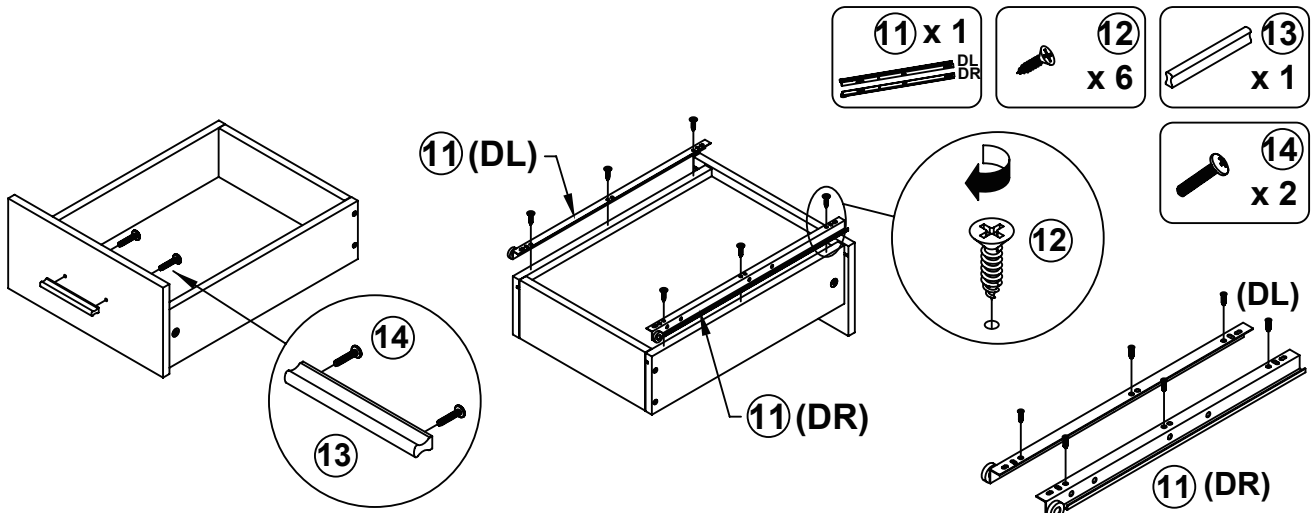
STEP 13



STEP 14

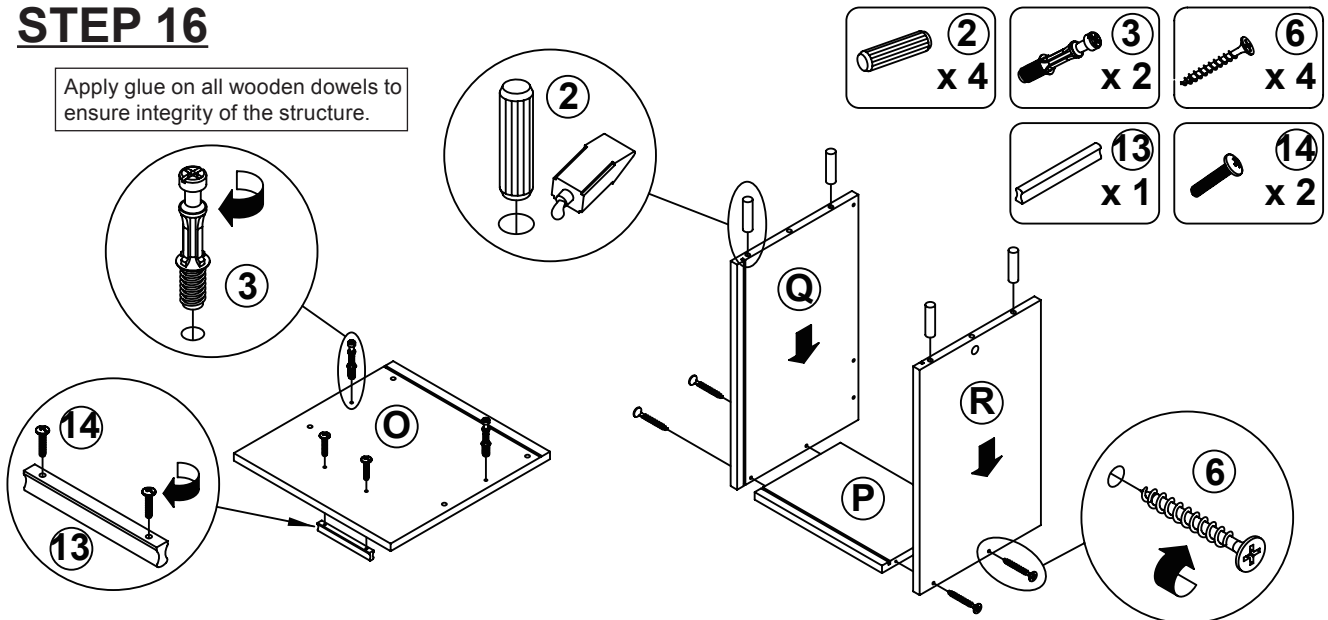


STEP 15



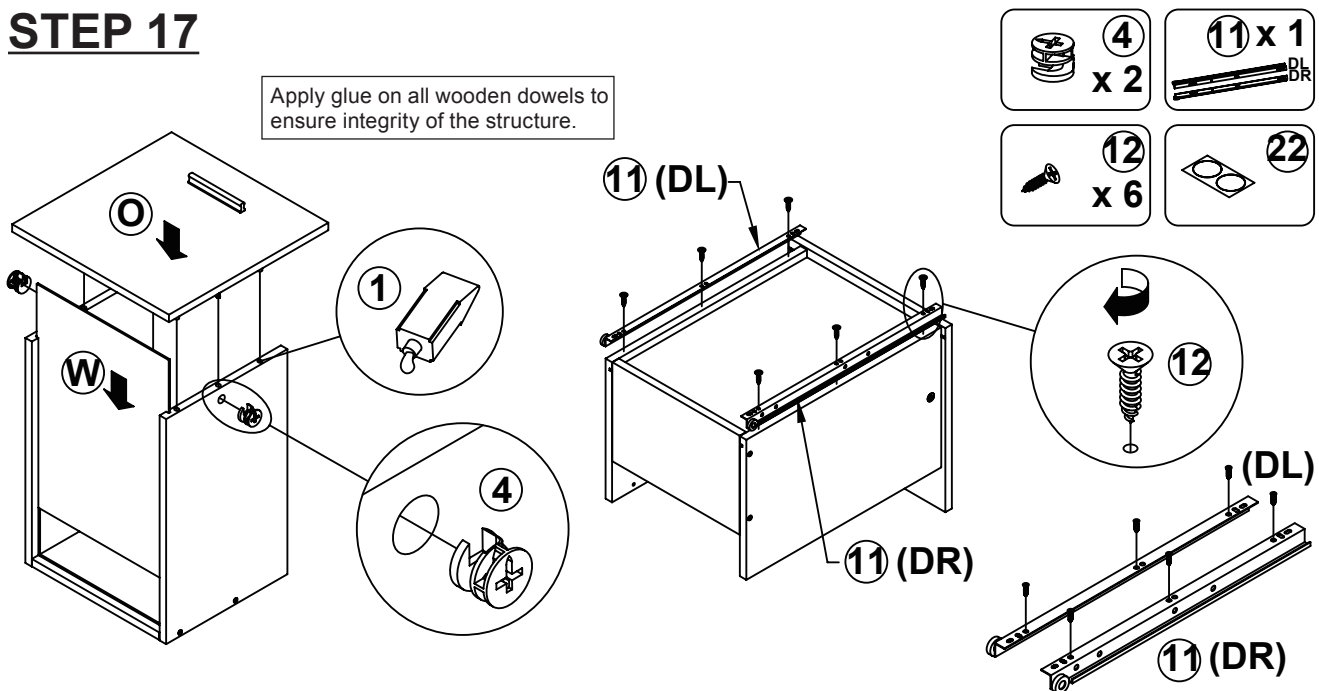
STEP 16

Apply glue on all wooden dowels to ensure integrity of the structure.

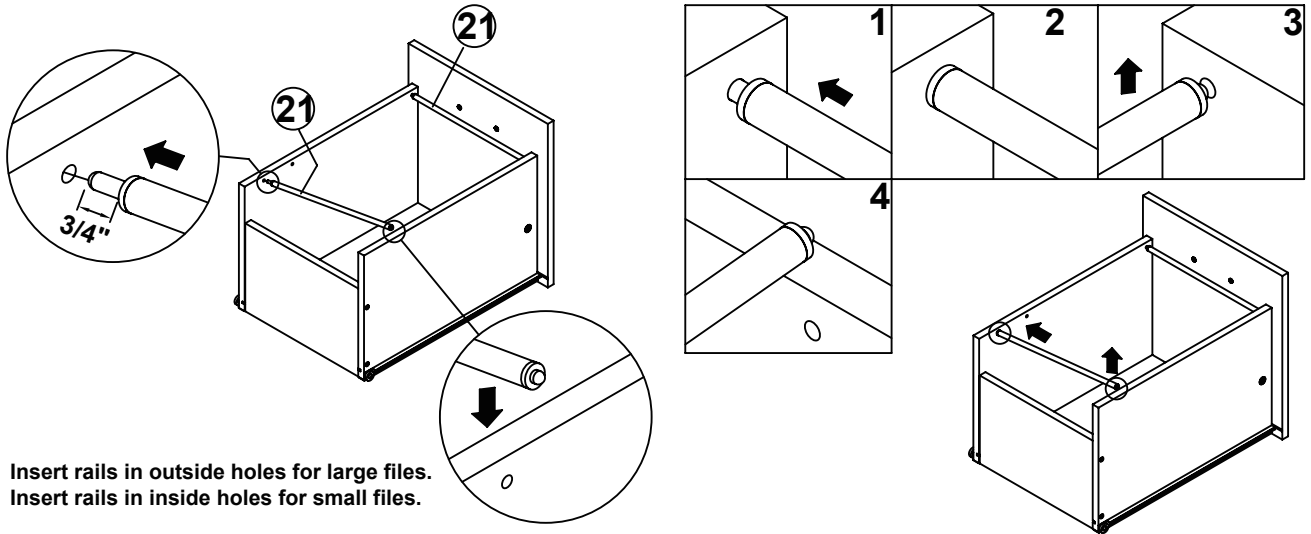


STEP 17

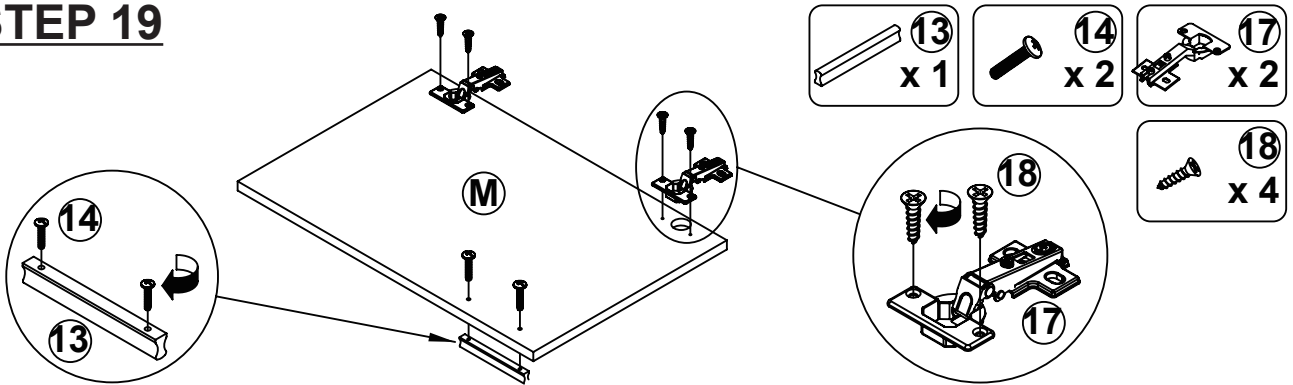
Apply glue on all wooden dowels to ensure integrity of the structure.



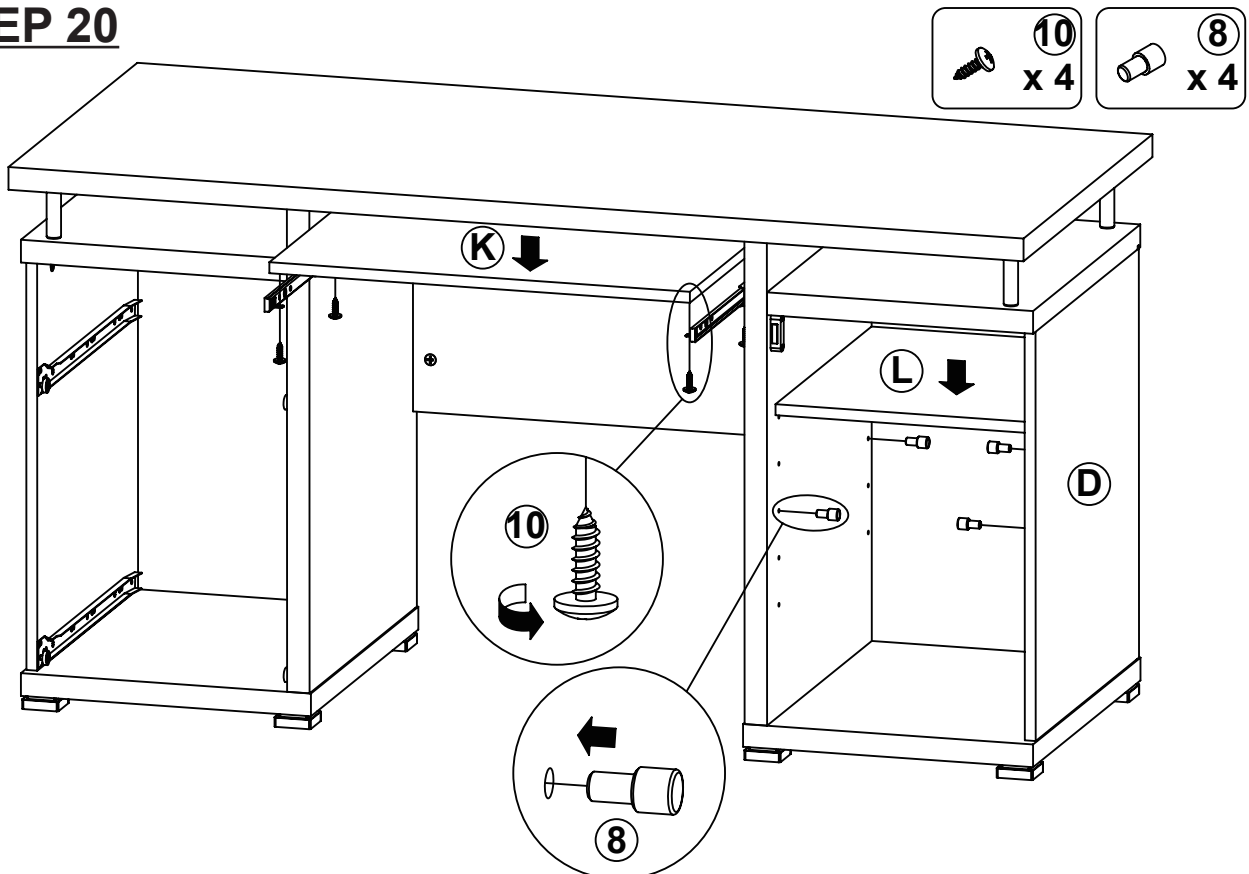
STEP 18



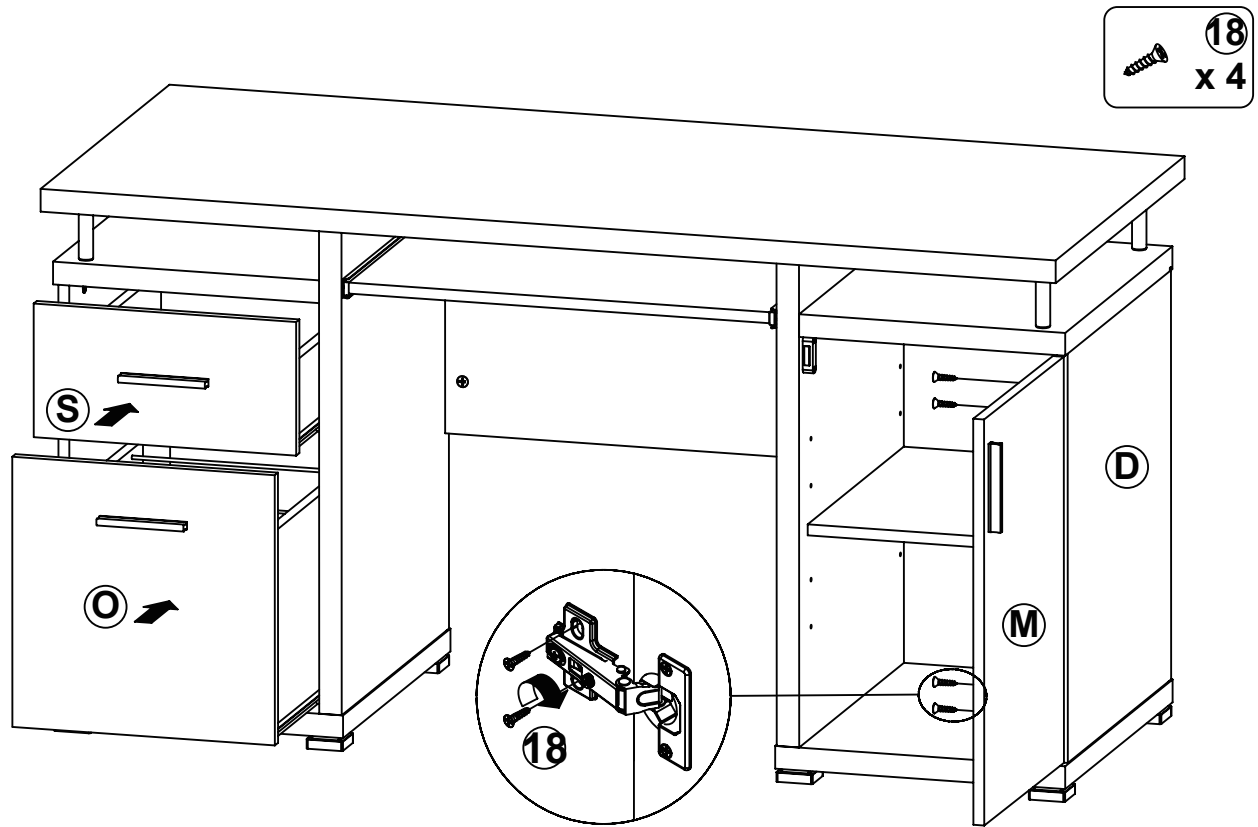
STEP 19



STEP 20



STEP 21



STEP 22 COMPLETE

