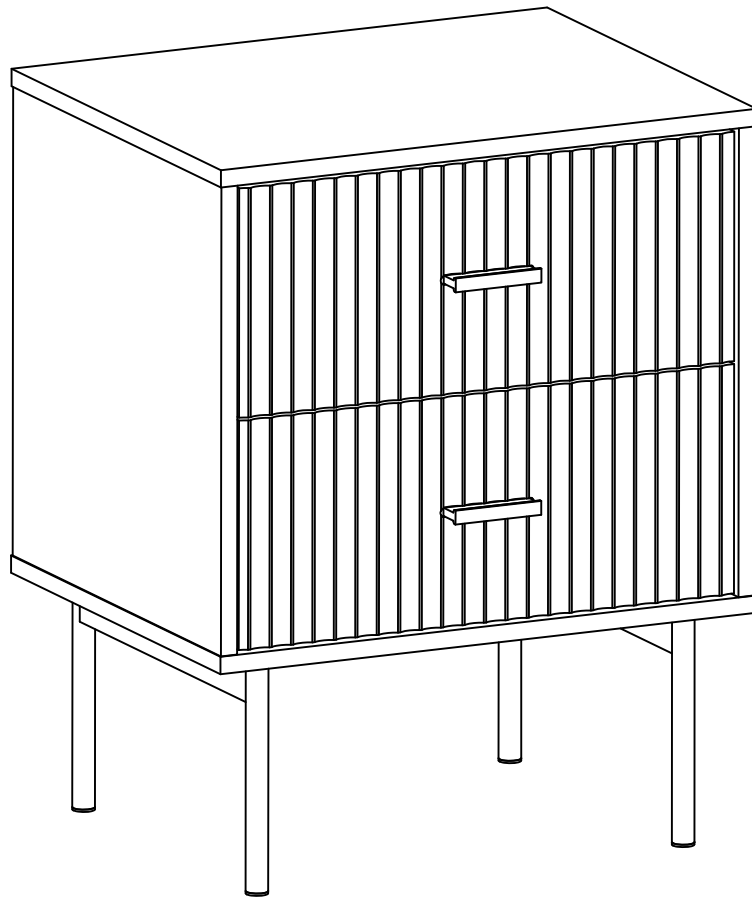


# Owner Manual



---

## **NOTE:**

This brochure contains **IMPORTANT** safety info. Please read and keep for future reference.

# MAINTAINANCE

## AND WARNING

- Keep furniture away from heat.
- Do not clean furniture with harsh cleansers or polish. Do not use detergents, Solvents, abrasives, spray packs or leather cleaner. Use non-color mild soap with warm water clean spills(Mix 1:10 soap to water)
- Do not place furniture under direct sunlight, material will possibly fade over time.
- Do not use on site dry Cleaning machine.
- Children should not climb or jump on the furniture.
- Do not write on furniture without a padded barrier to protect the surface.
- Not for commercial use, For residential use only.



Weight Limitation

**80LBS**

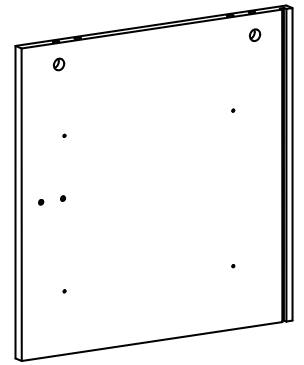
# PARTS LIST



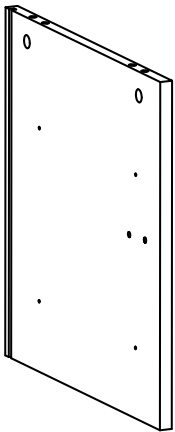
① x1



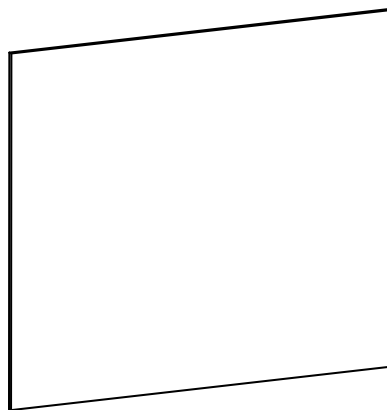
② x1



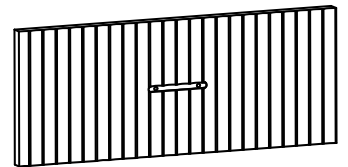
③ x1



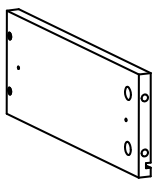
④ x1



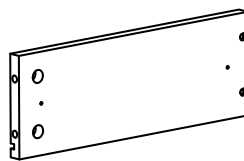
⑤ x1



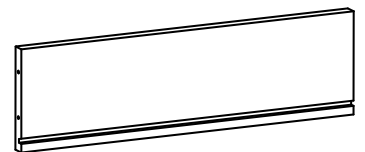
⑥ x2



⑦ x2



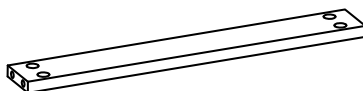
⑧ x2



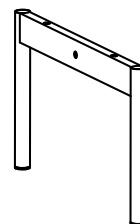
⑨ x2



⑩ x2



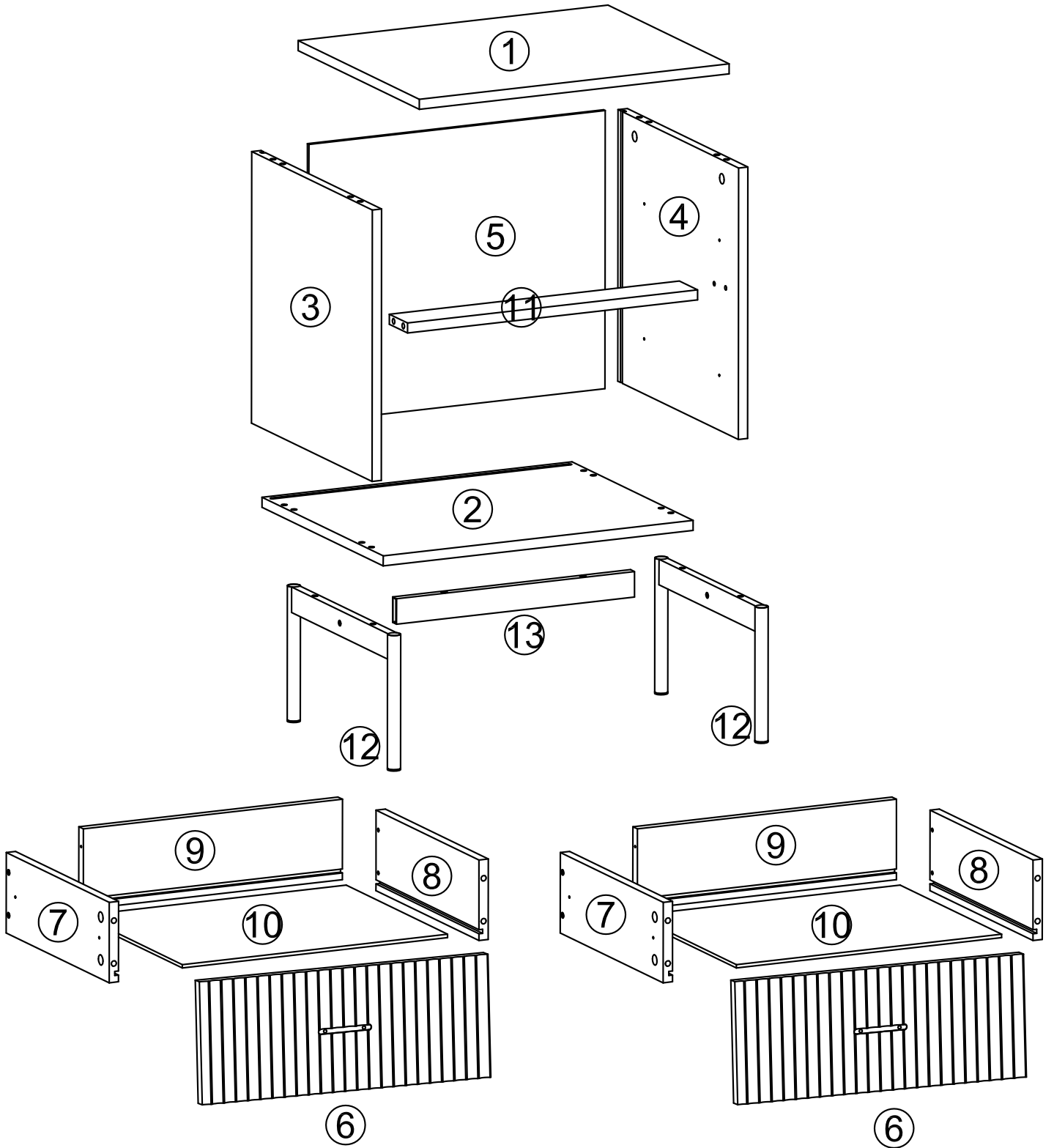
⑪ x1



⑫ x2



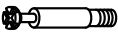





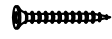



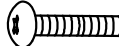
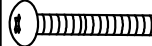







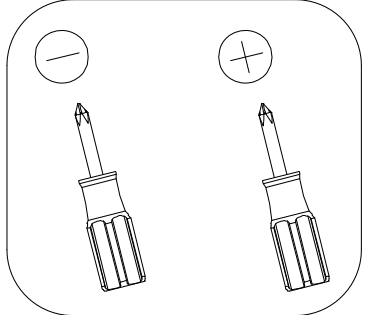
⑬ x1



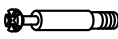


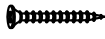
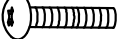
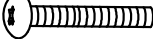

Explosive View

# HARDWARE

## LIST

A   x16  M6*35mm	B   x16  Ø15mm	C   x4  M7*50mm	D   x8  Ø8*30mm	E   x22  Ø3.5*14mm	F   x4 	G   x10  Ø4*35mm
H   x4  340mm	I   x4  340mm	J   x2 	K   x2  M6*40mm	L   x6  M6*50mm	M   x6  Ø13*Ø6.5*1	N   x16 
O   x4  M4*18mm	P   x1  M4	Q   x2 	R   x1 	S   x2 		

## SPARE

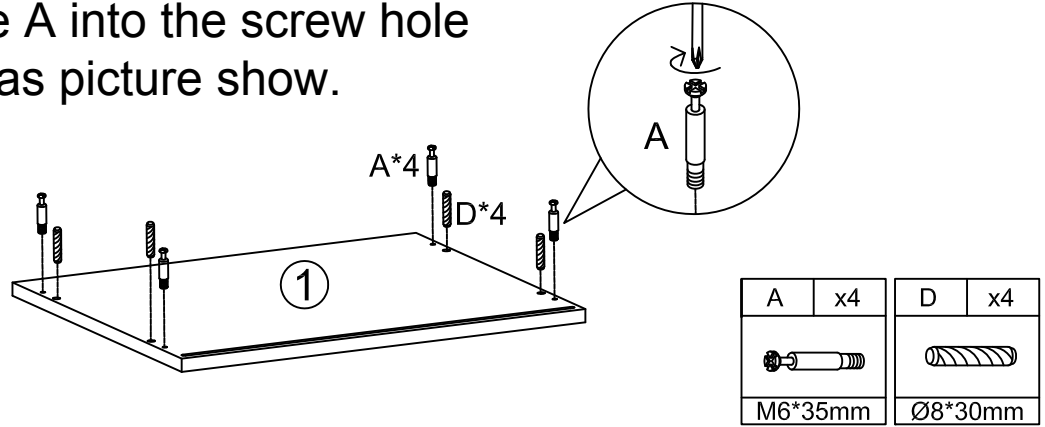
A   x1  M6*35mm	C   x1  M7*50mm	E   x1  Ø3.5*14mm	G   x1  Ø4*35mm	K   x1  M6*40mm	L   x1  M6*50mm	O   x1  M4*18mm
--	--	--	--	--	--	--

Be sure to check all packing material carefully for small parts, which may have come loose inside the carton during shipment.

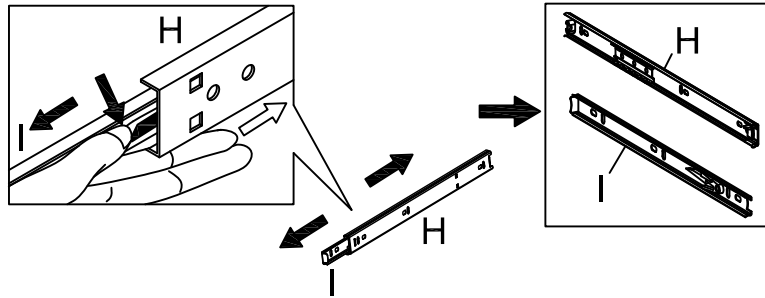
# ASSEMBLY INSTRUCTIONS

## STEP 1

Prepare the part #1. Align the hole on the part#1, insert part wooden dowel D by hand, screw hardware A into the screw hole by screwdriver as picture show.

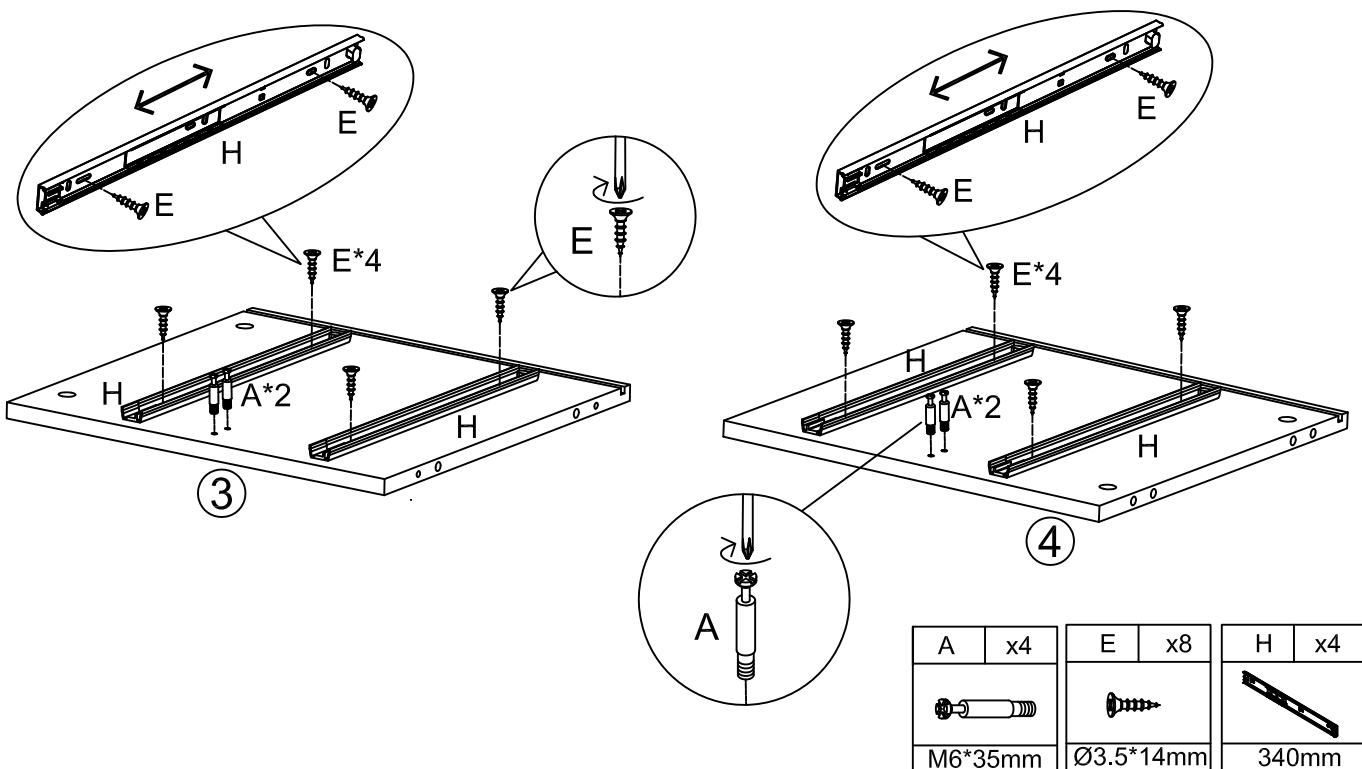


## STEP 2



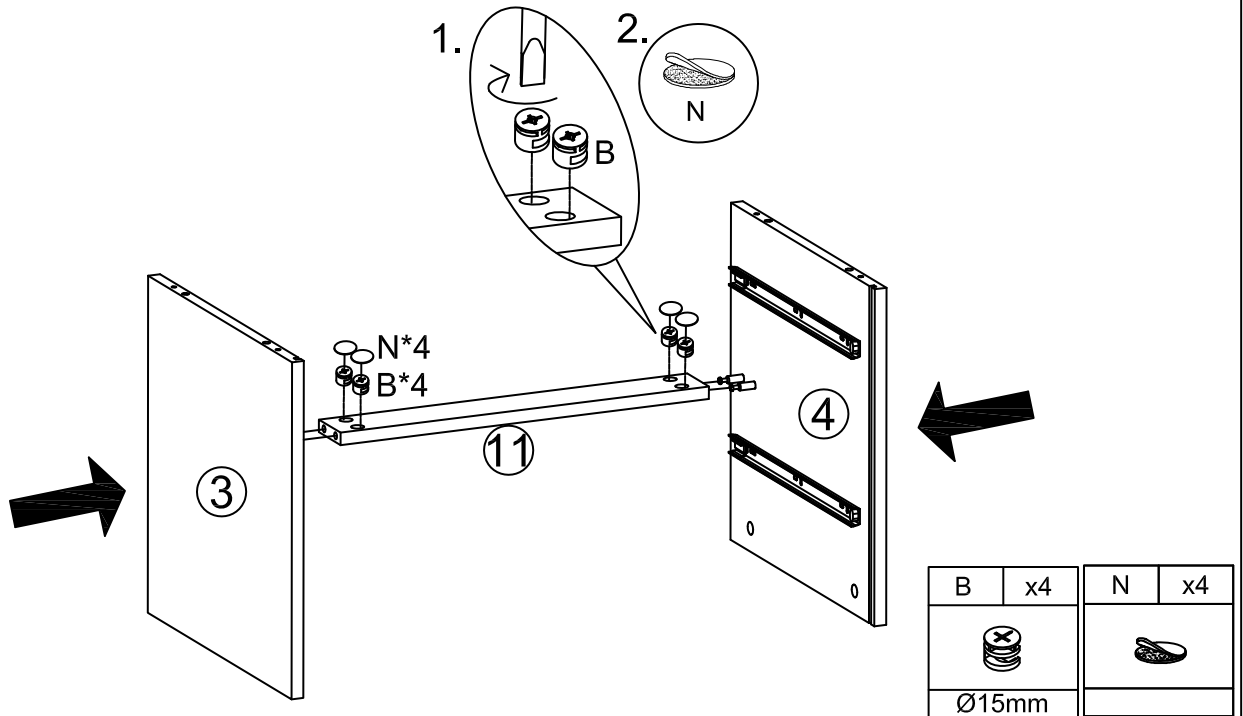
Attach the metal drawer slider.

1. Separate the metal drawer slider as the picture show. Then you will get female metal slider H and male metal slider I.
2. Align the hole in the female slider H and the hole in the panel 3 and 4, screw in and tighten the screw E by screwdriver.



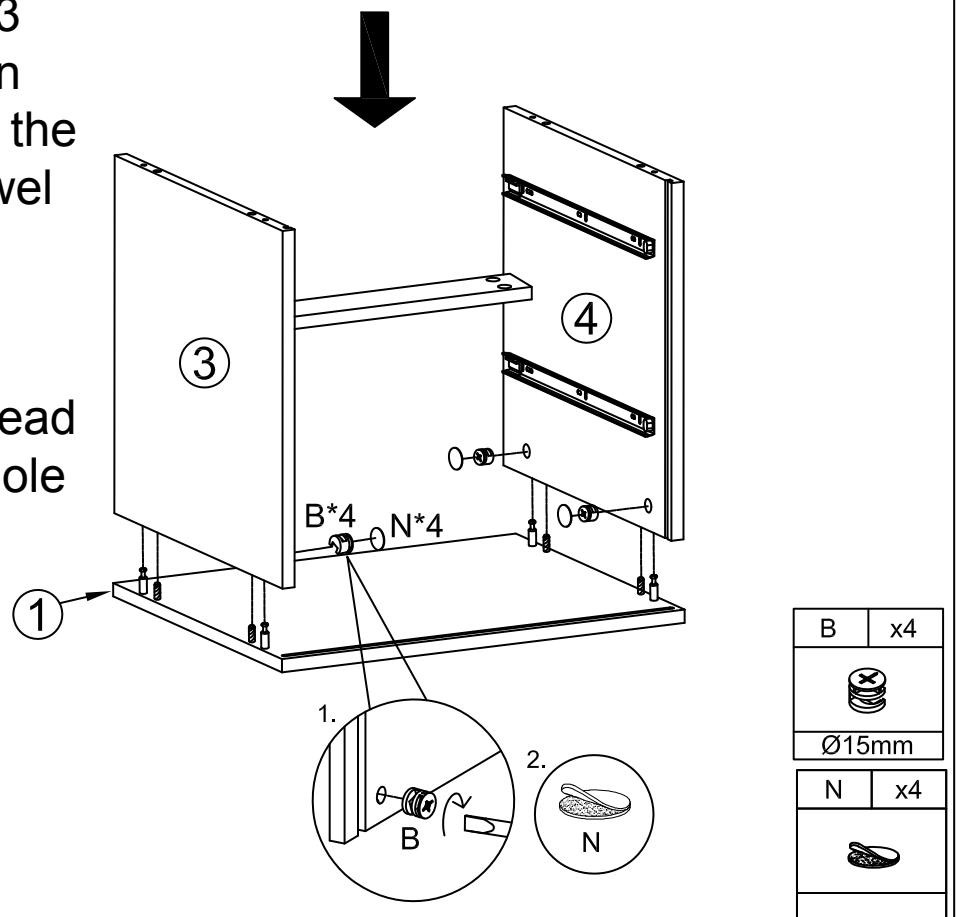
## STEP 3

connect part 3 and 4 with part 11. Align the hole in the part 11 to the bolts on part 3 and 4. tighten the hardware B by screwdriver, then cover the hole by hardware N as the picture show.



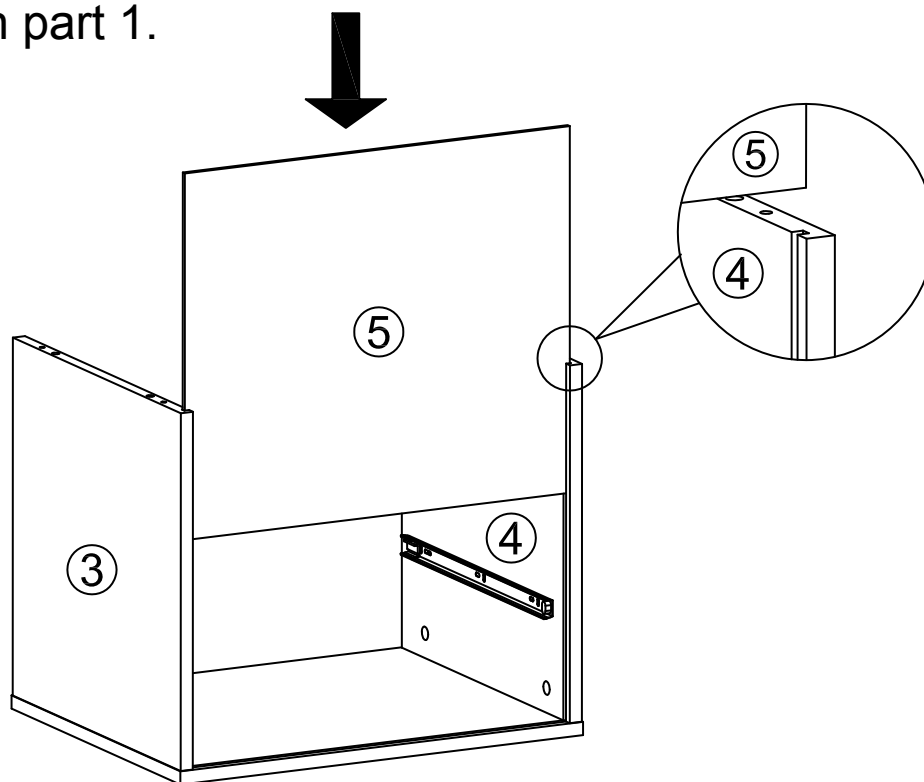
## STEP 4

Connect part 1 to part 3 and 4. Align the hole on the part 3 and 4, insert the bolt A and wooden dowel D into part 3 and 4 as picture show. Then tighten the bolt with hardware B by cross-head crewdriver. cover the hole by N.



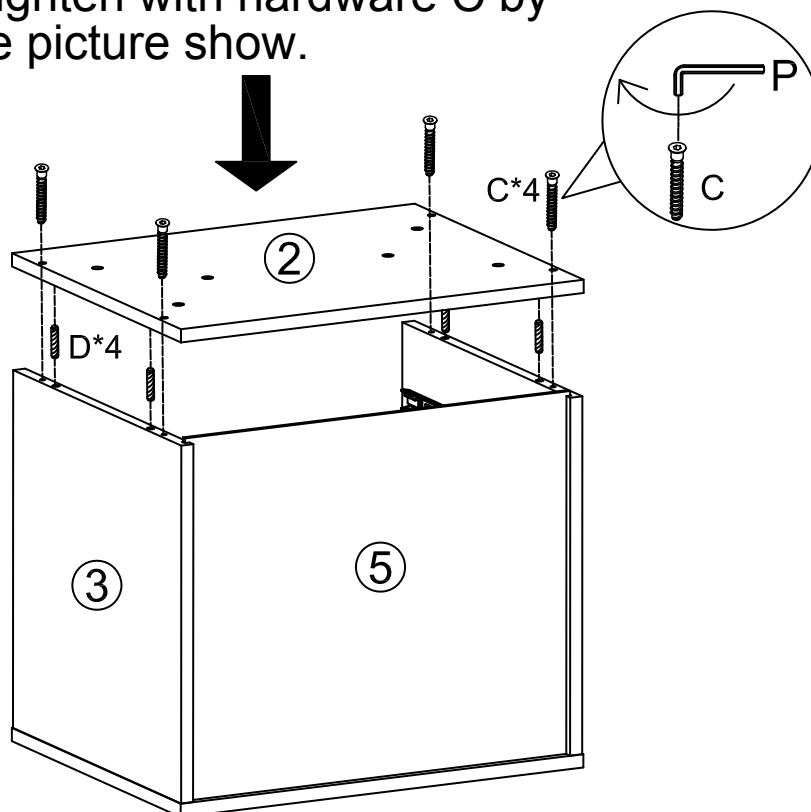
## STEP 5




Slide the part 5 into the groove on part 1,3,4. Make sure part 5 into the groove in part 1.



## STEP 6

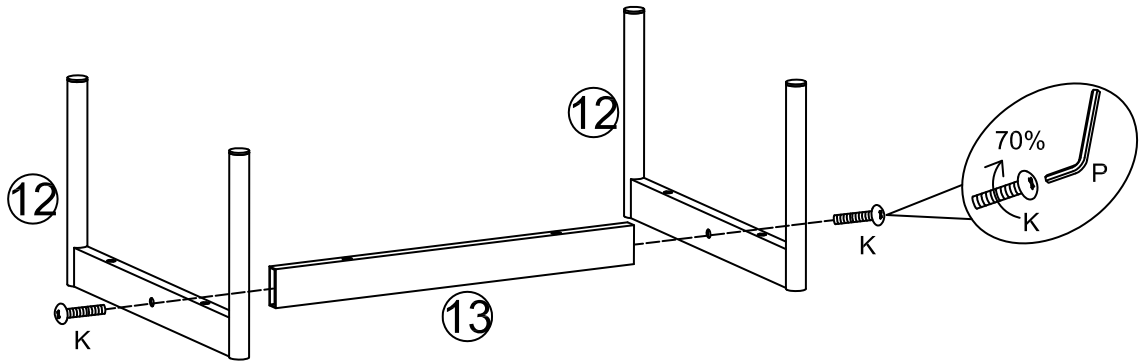
Connect part 2 with part 3,4 and 5. insert the wooden dowel D into the hole in part 3 and 4. align the hole in part 2 and insert D into part 2. then screw and tighten with hardware C by Allenkey P as the picture show.

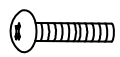



C	x4
	
M7*50mm	
D	x4
	
Ø8*30mm	
P	x1
	
M4	

## STEP 7

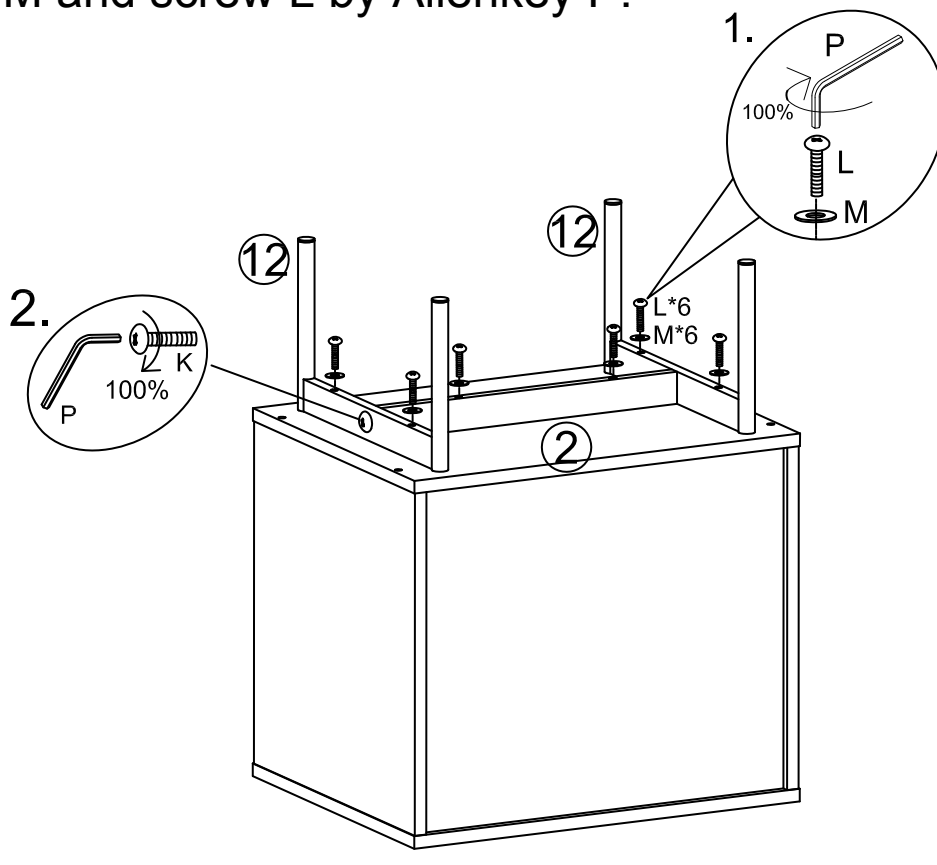
Preparing the legs. Align the hole in the part 12 to the hole in part 13, screw and tighten the hardware K by Allenkey P.

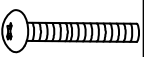




K	x2	P	x1
			
M6*40mm		M4	

## STEP 8

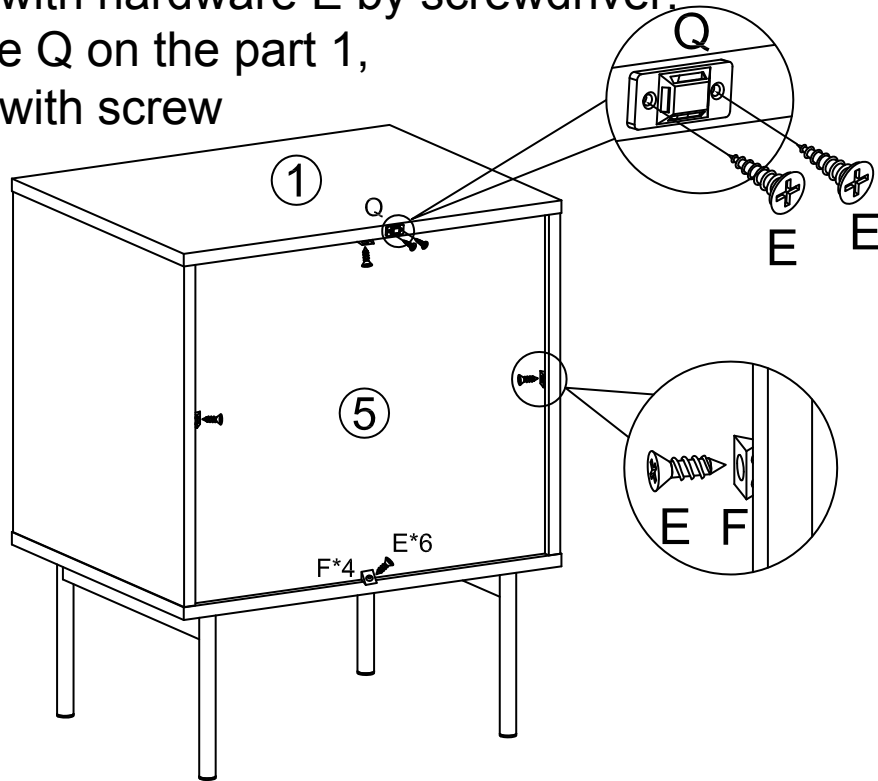
Connect the legs to the part 2. Align the hole in the leg frame to the hole in part 2. screw in and tighten with washer M and screw L by Allenkey P.

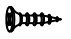




L	x6	P	x1
			
M6*50mm		M4	
M	x6		
			
Ø13*Ø6.5*1			

## STEP 9

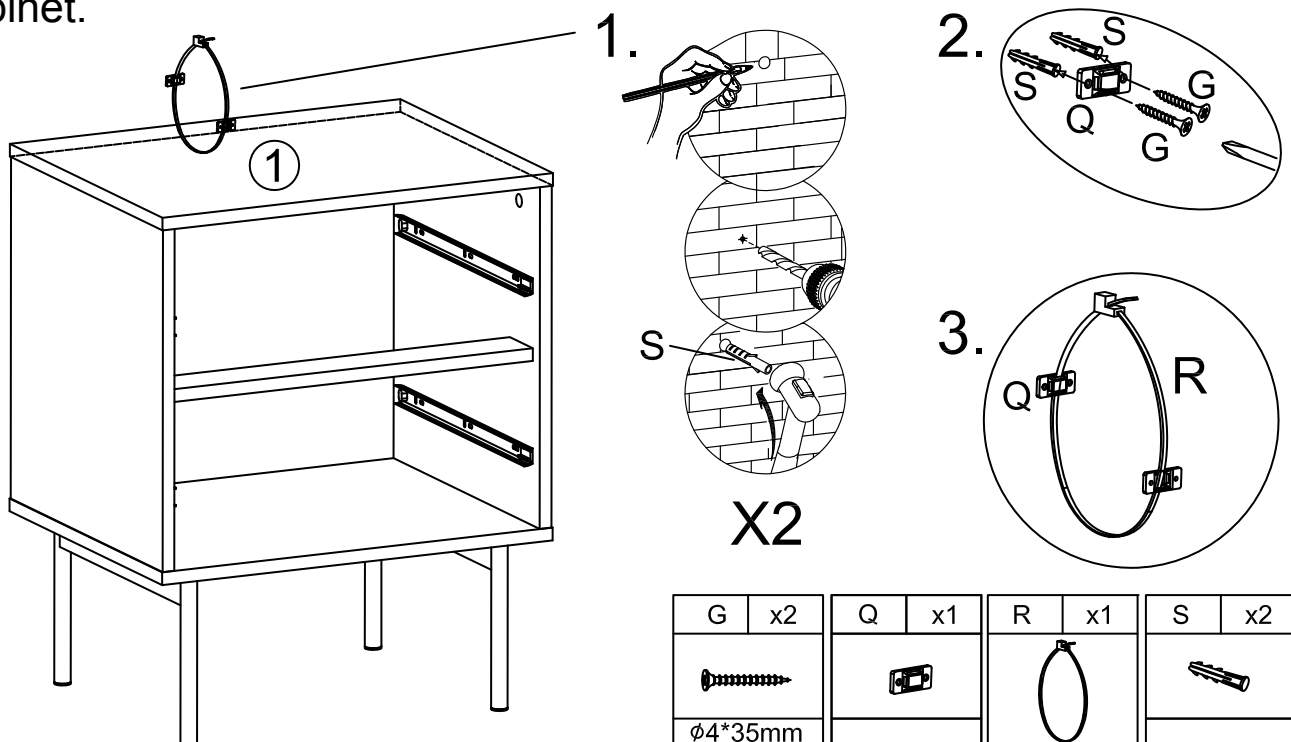
insert hardware F into the position between part 5 and part 1, 2, 3, 4.  
 screw and tighten with hardware E by screwdriver.  
 Attaching hardware Q on the part 1,  
 screw and tighten with screw E by screwdriver.

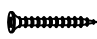





E	x6
	
Ø3.5*14mm	
F	x4
	
Q	x1
	

## STEP 10

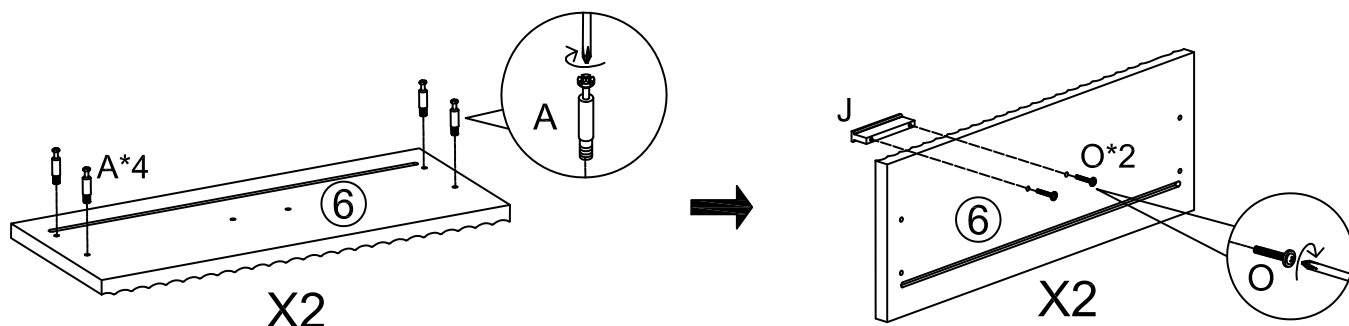
Put the cabinet against wall to mark the connect point on the wall. Then move away cabinet. Drilling the wall on that marked point, insert the hardware S by hammer and tighten the hardware G by screwdriver. move back the cabinet and insert the plastic belt R and go through the Q on the cabinet and wall as the picture show, tighten the plastic belt R to secure the cabinet.

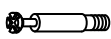




G	x2	Q	x1	R	x1	S	x2
							
ø4*35mm							

## STEP 11

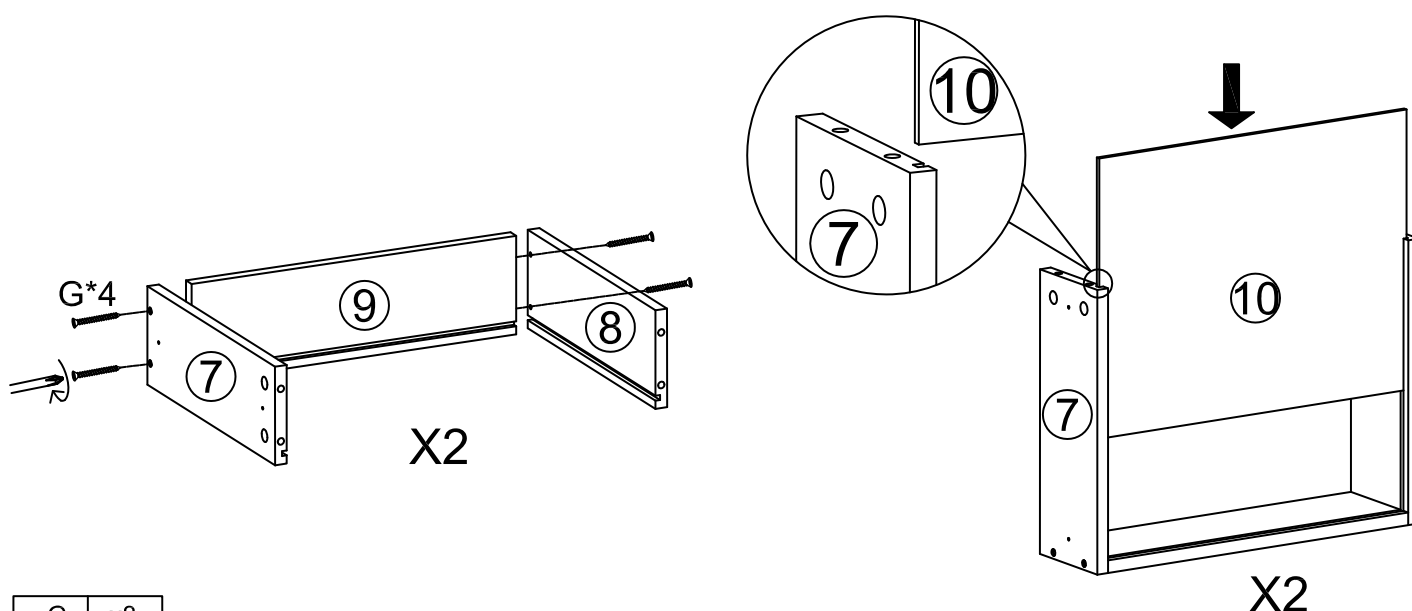
Preparing the part 6. insert the hardware A by screwdriver as the picture show. Then attaching the handler J with screw O by screwdriver.

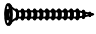


A	x8	J	x2	O	x4
					
M6*35mm				M4*18mm	

## STEP 12

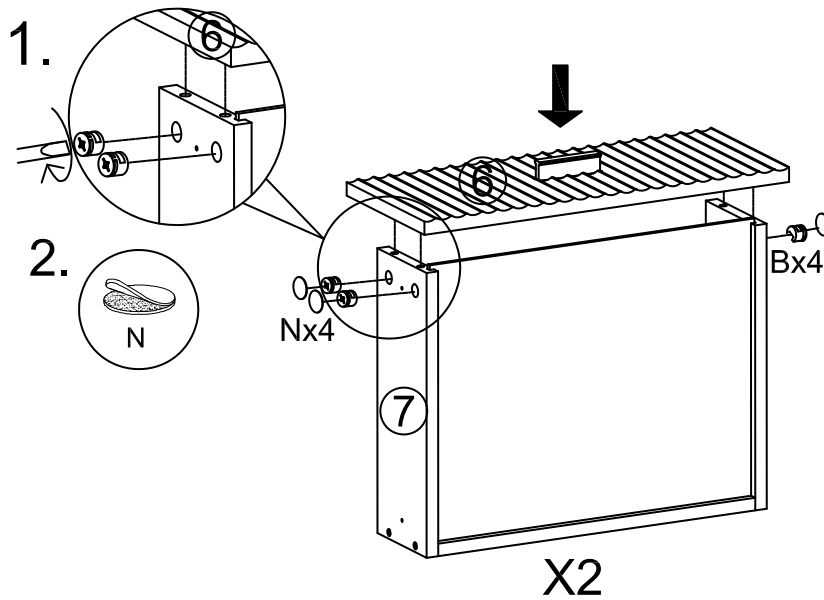
Connect part 7,8,9. align the hole between 7,8 and 9, tighten screw G by screwdriver. Then insert part 10 into the groove on 7,8,9.





G	x8
	
ø4*35mm	

# STEP 13

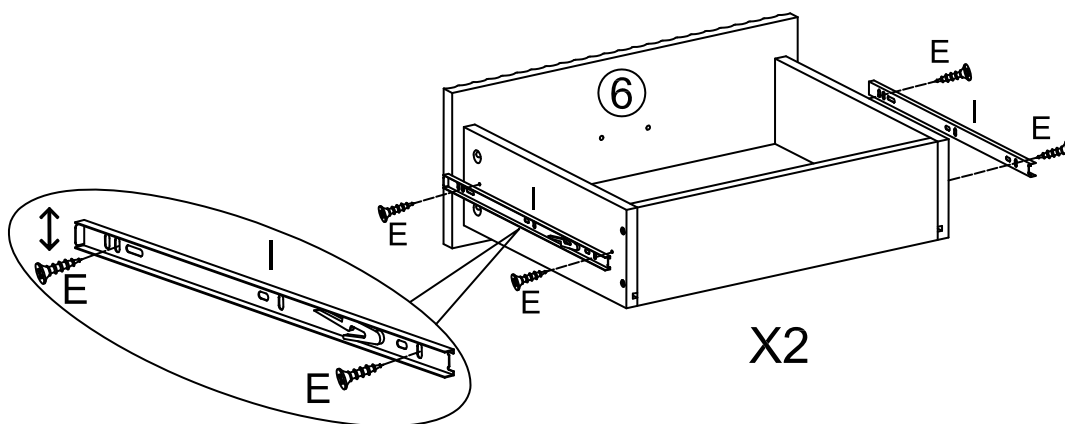
Connect the part 6 with part 7 and 9. align the hole in the part 7 and 9, tighten the bolt with B by screwdriver. Cover by N after it is installed.





B	x8	N	x8
			
Ø15mm			

# STEP 14

Attaching the hardware I to the part 7 and 8, screw and tighten with E by screwdriver.

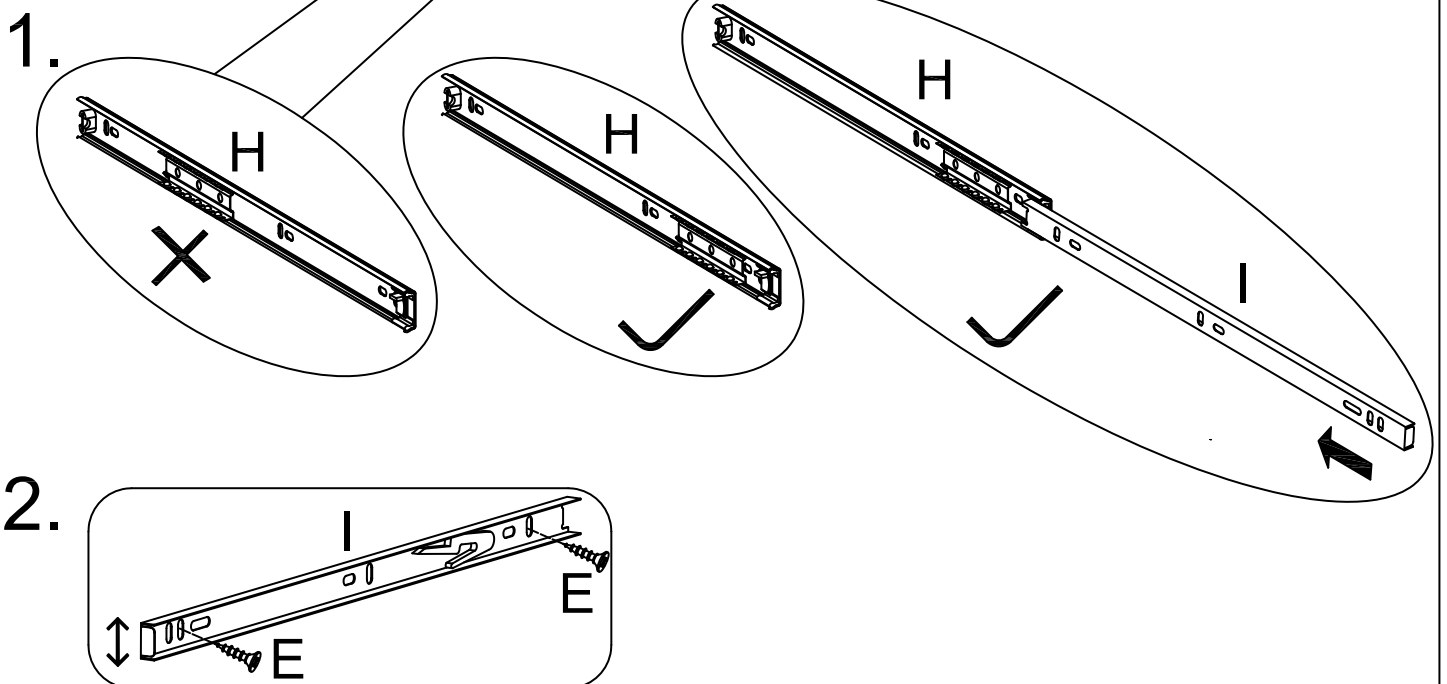
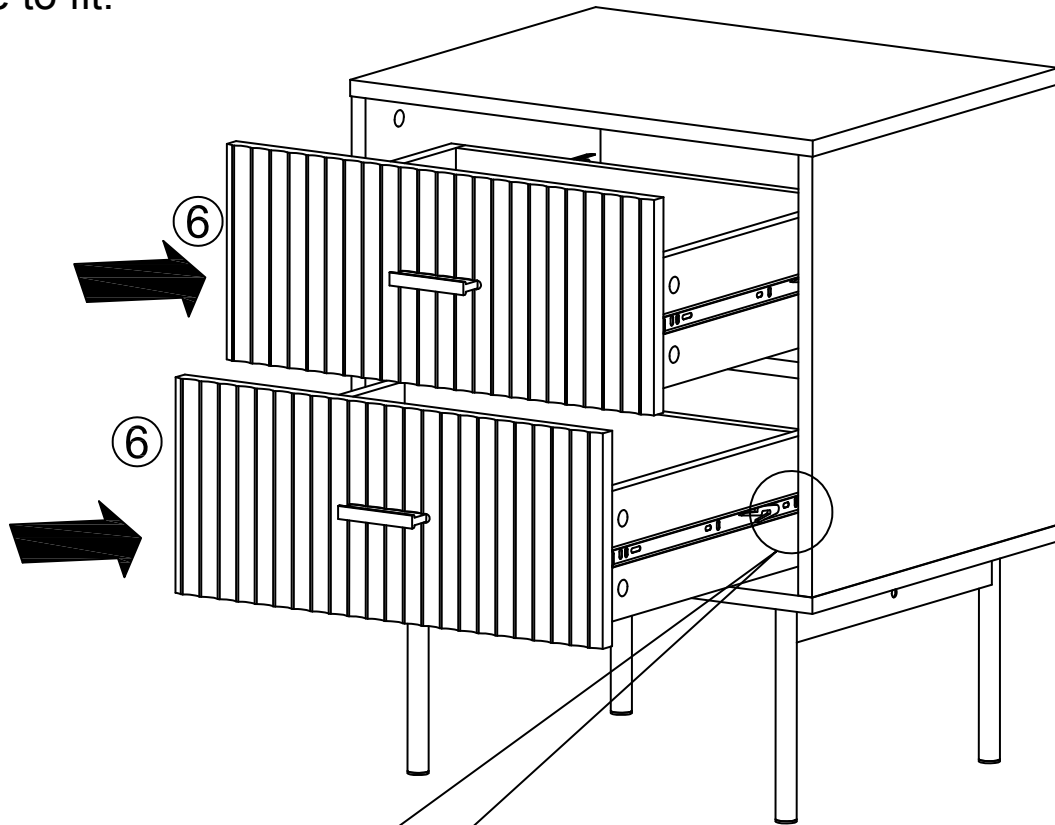


E	x8	I	x4
			
Ø3.5*14mm		340mm	

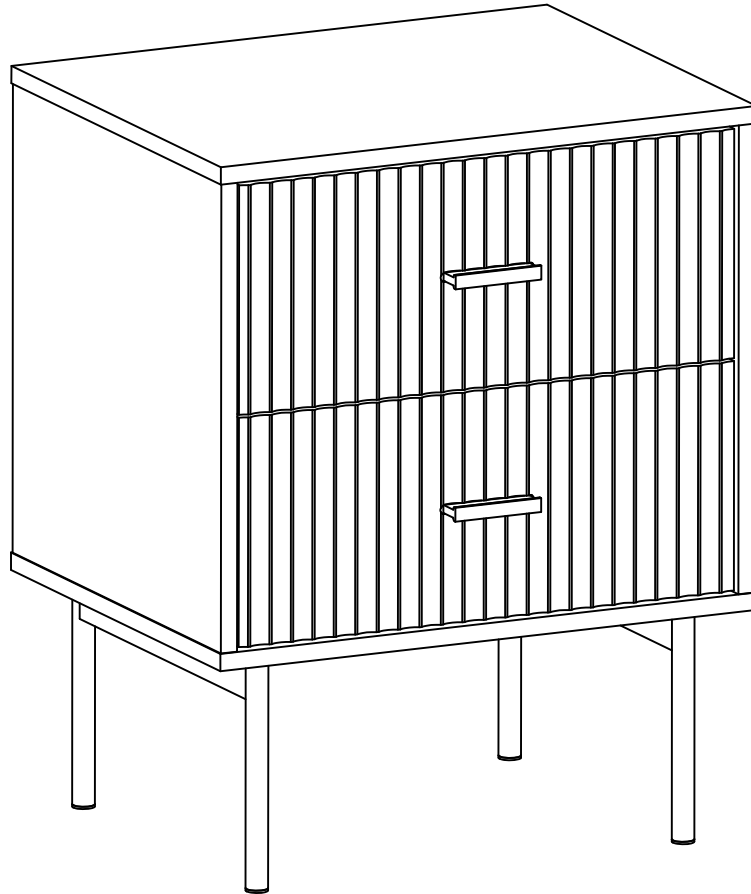
# STEP 15

insert and slide drawer into cabinet. Connect the hardware H and I as the picture show.

You can move the I to adjust the part 6 to fit the cabinet in case have issue to fit.



# STEP 16



your cabinet is ready to use.  
Assembly completed

# WARRANTY

We strive to offer high-quality products, and we also try our best to satisfy each and every customer that orders from us with product or service as needed. We provide 30 days warranty starting from the time you receive the item. Each customer must provide a record of their order such as the order number, or item receipt for any items that are out of the warranty period you may also still receive replacement parts by purchasing them with our company if they are available.