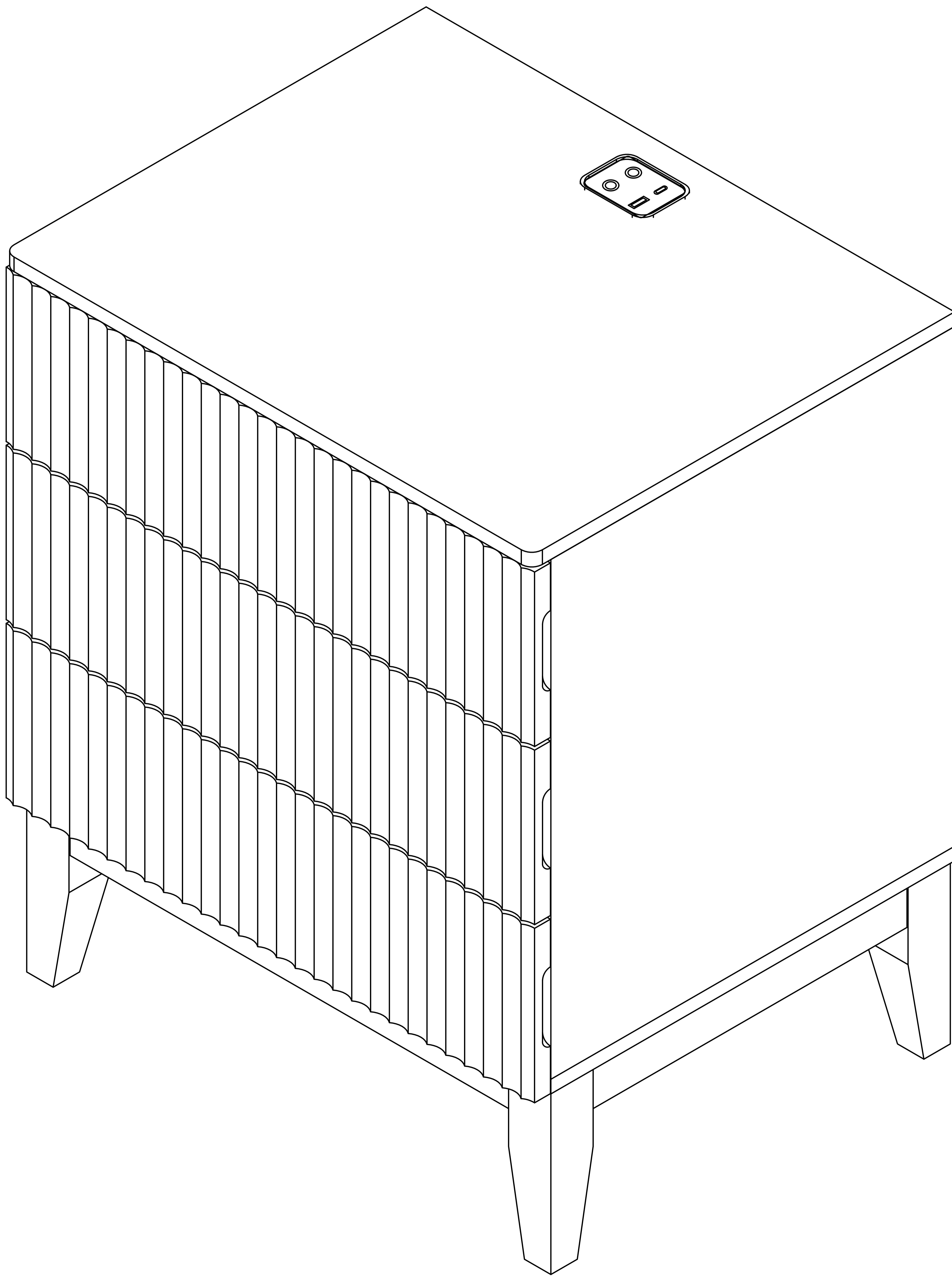
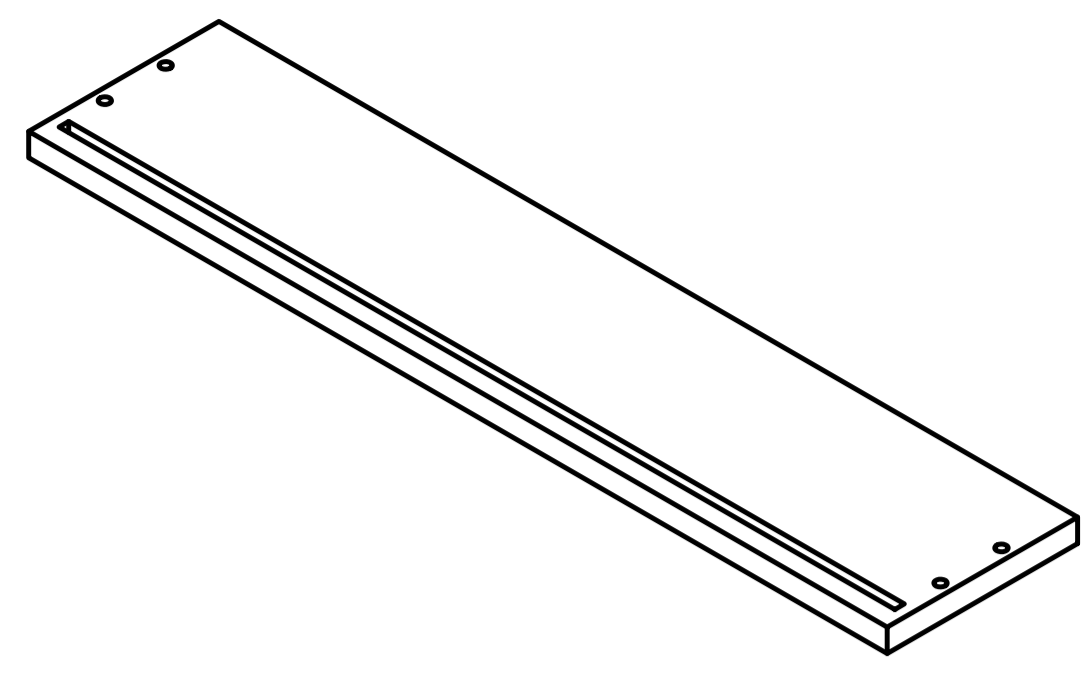
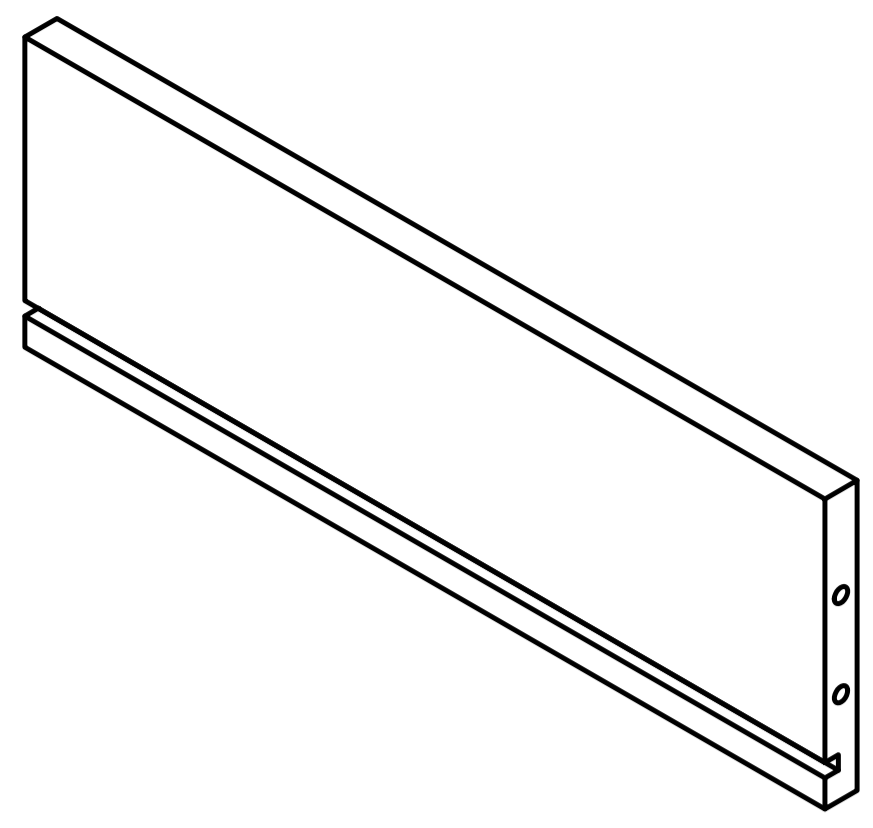


Product Installation Instructions

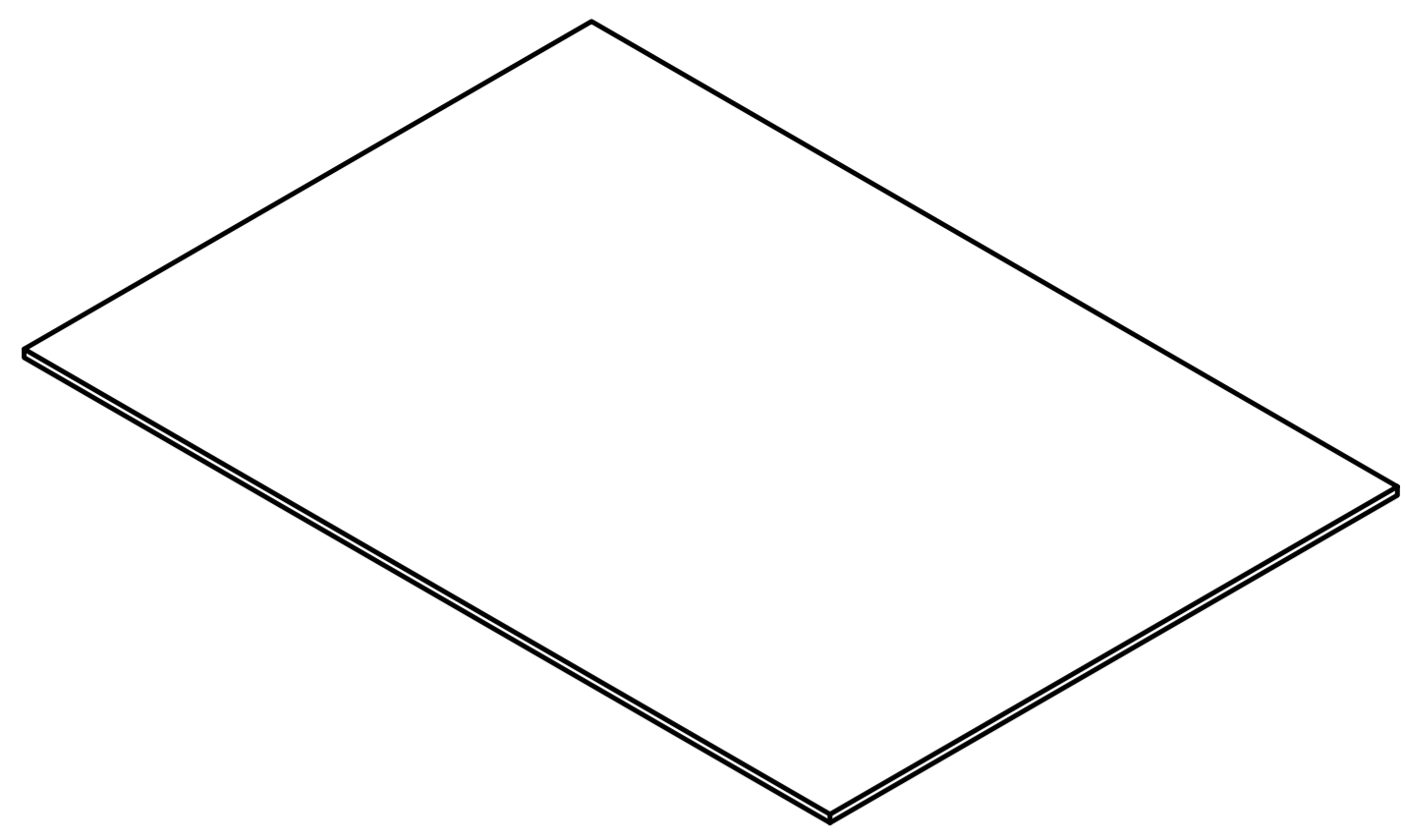




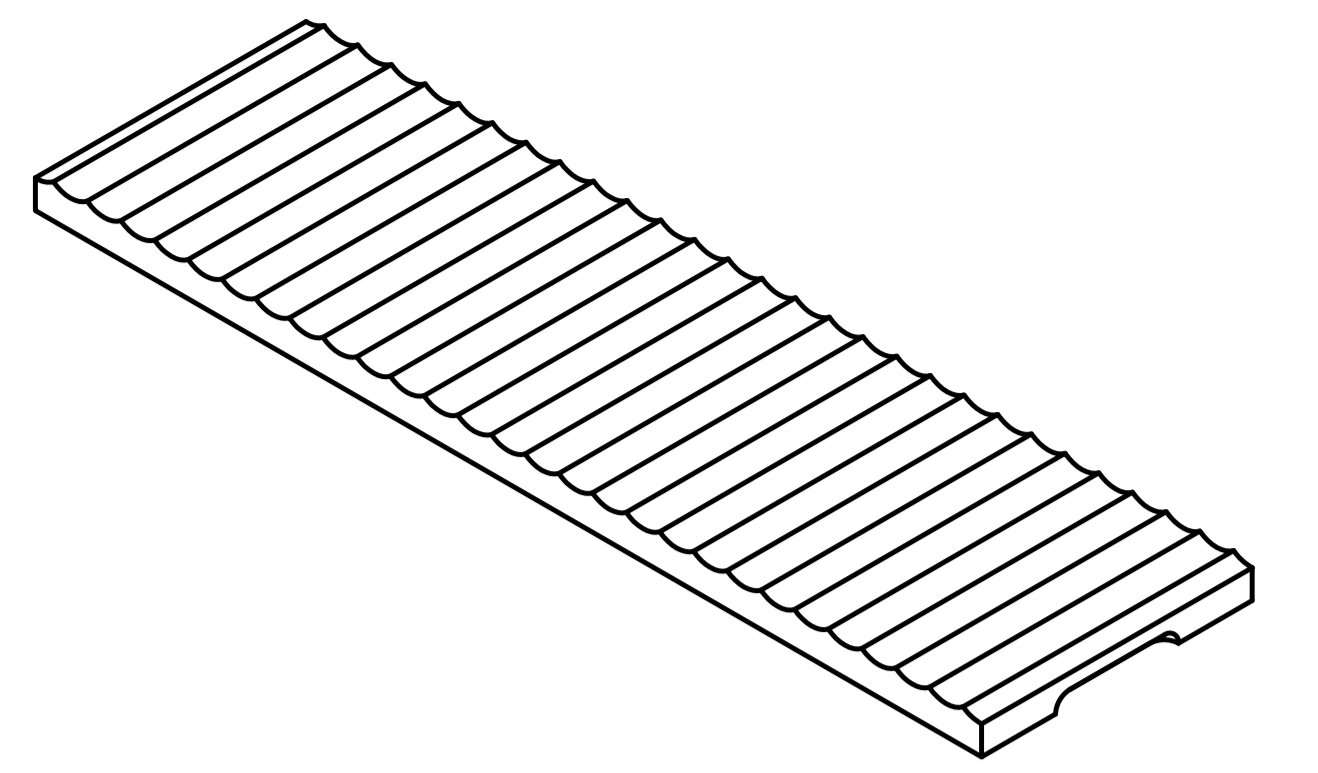
A x3



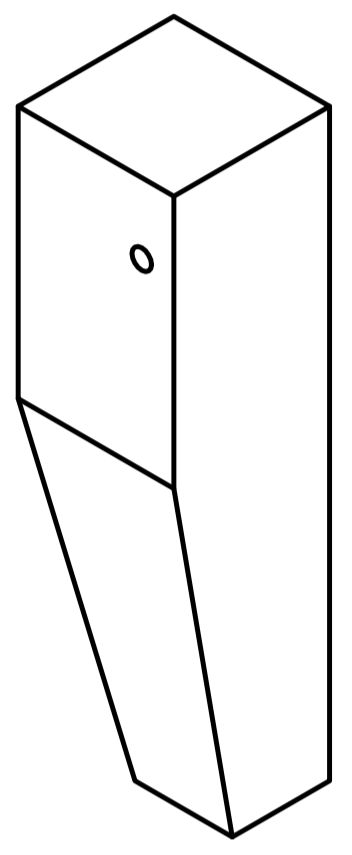
B x6



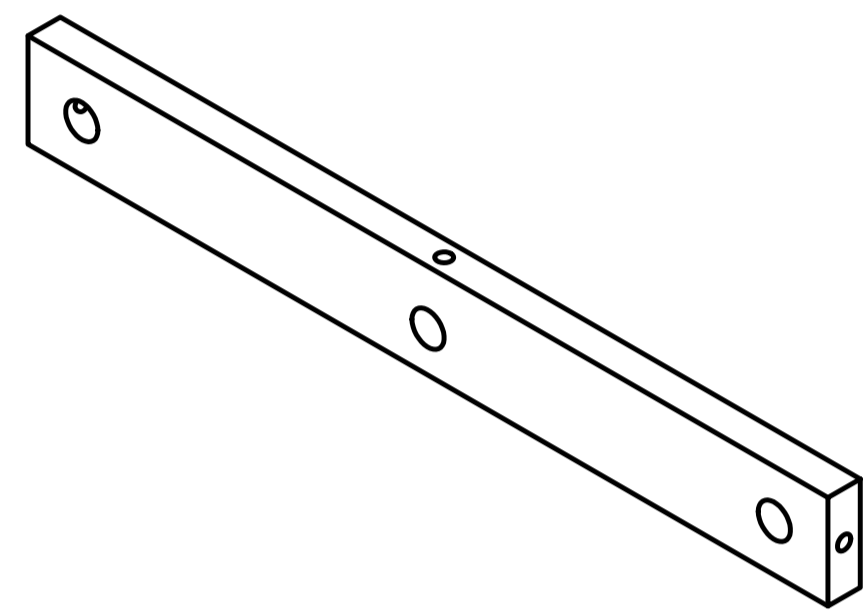
C x3



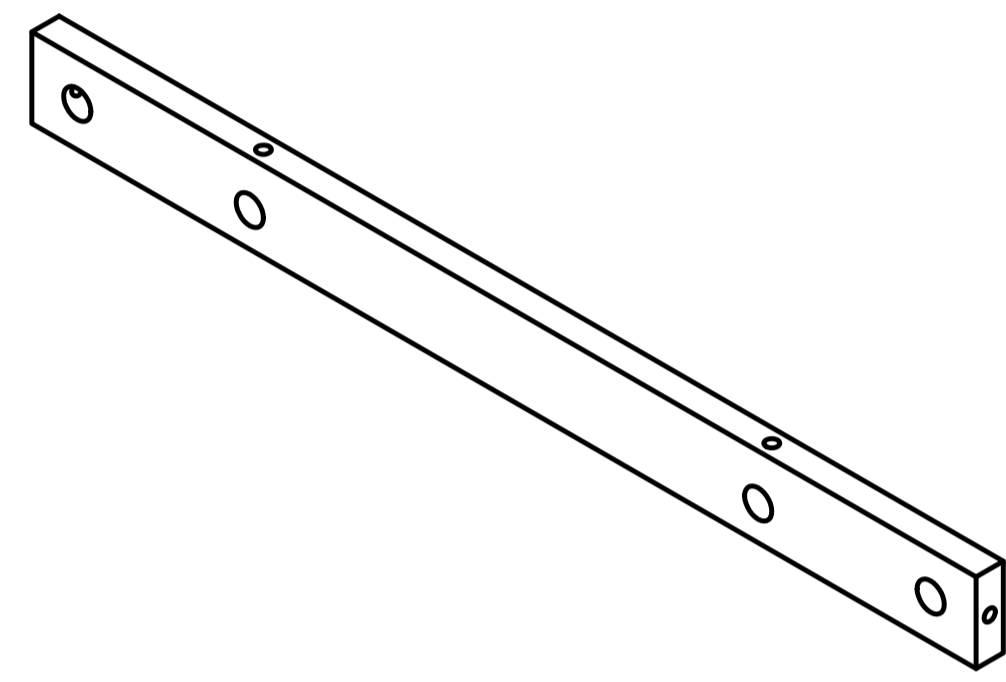
D x3



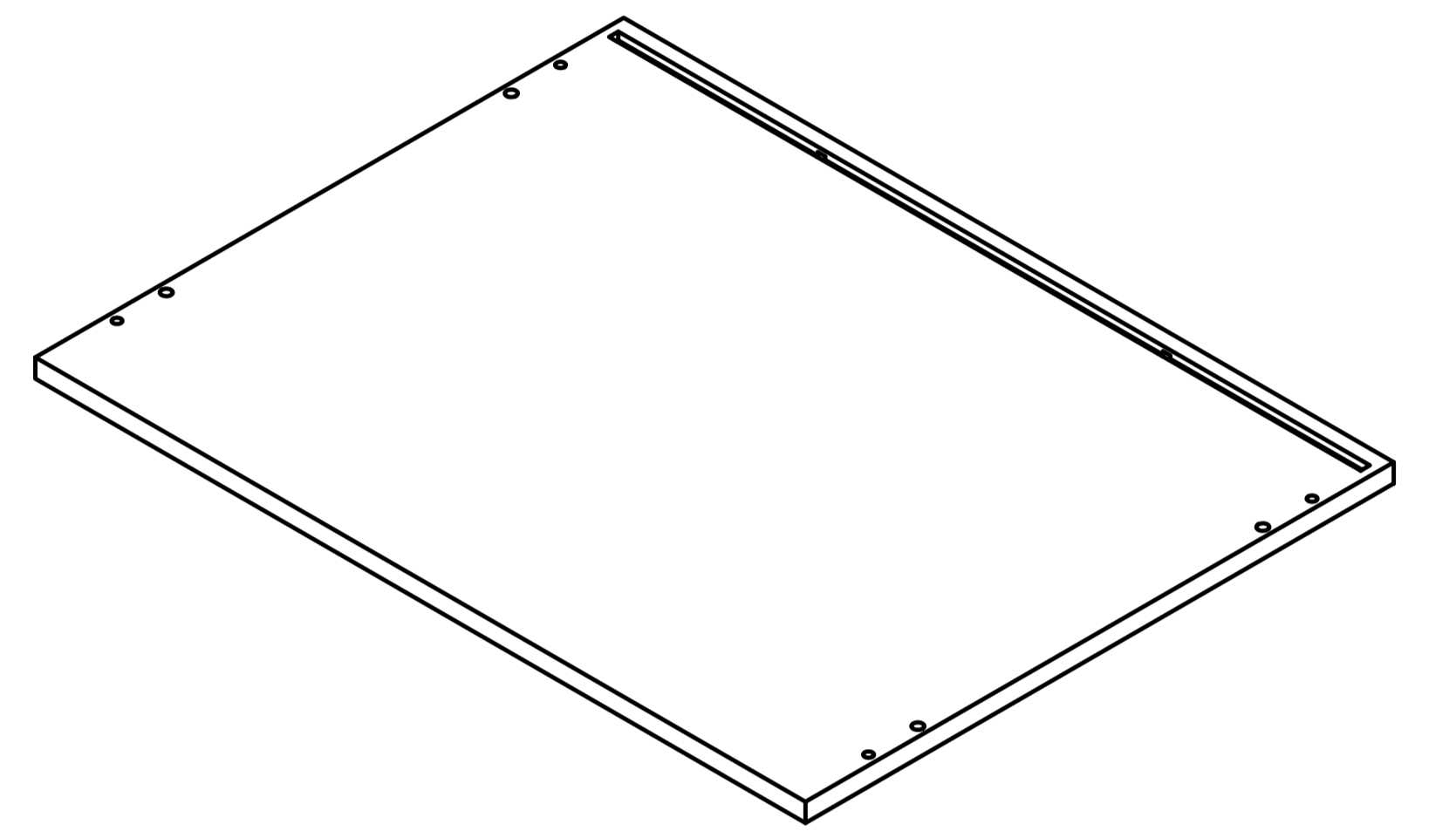
E x4



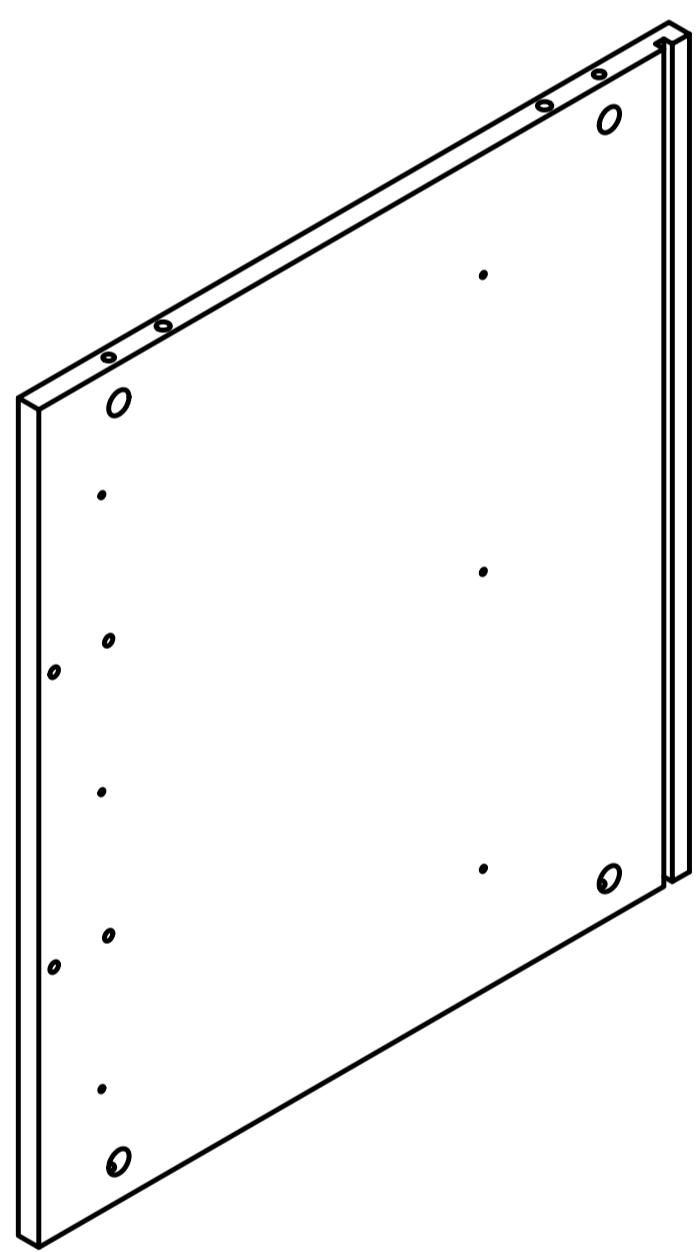
F x2



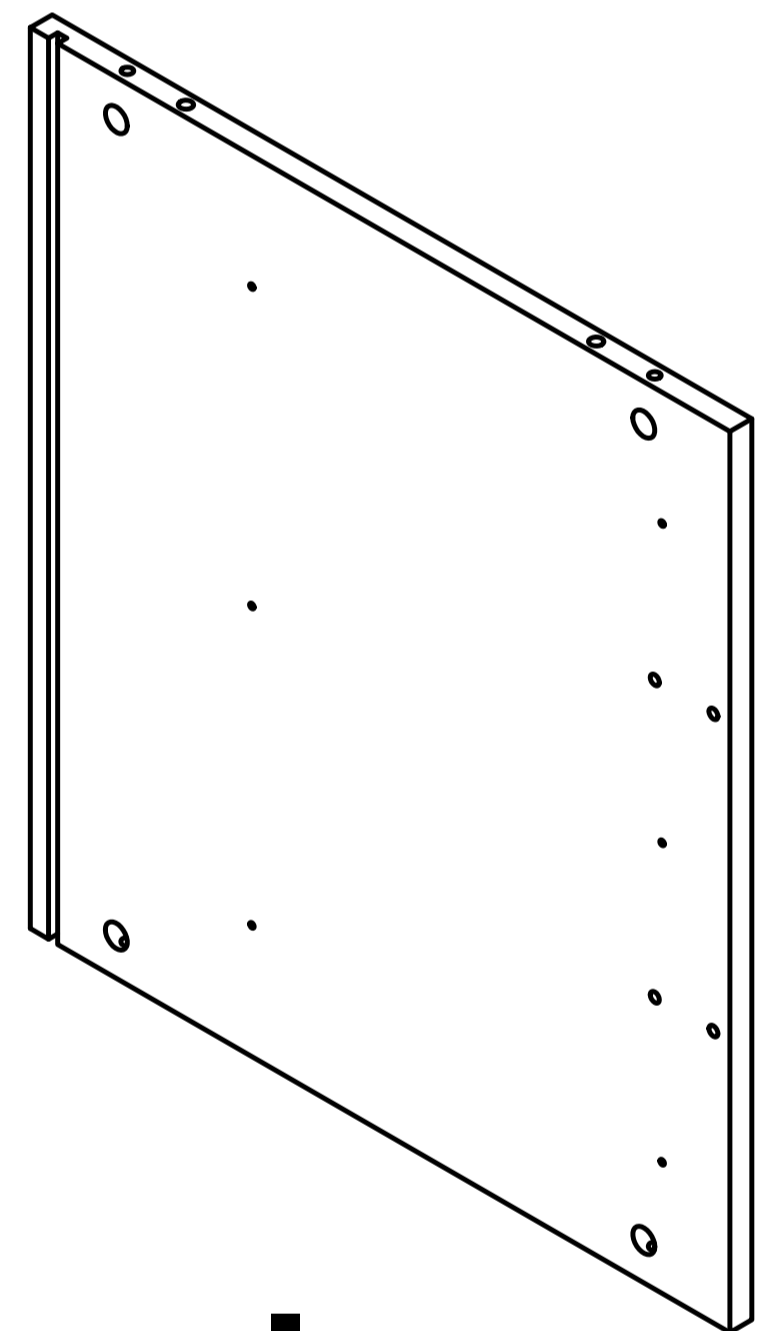
G x2



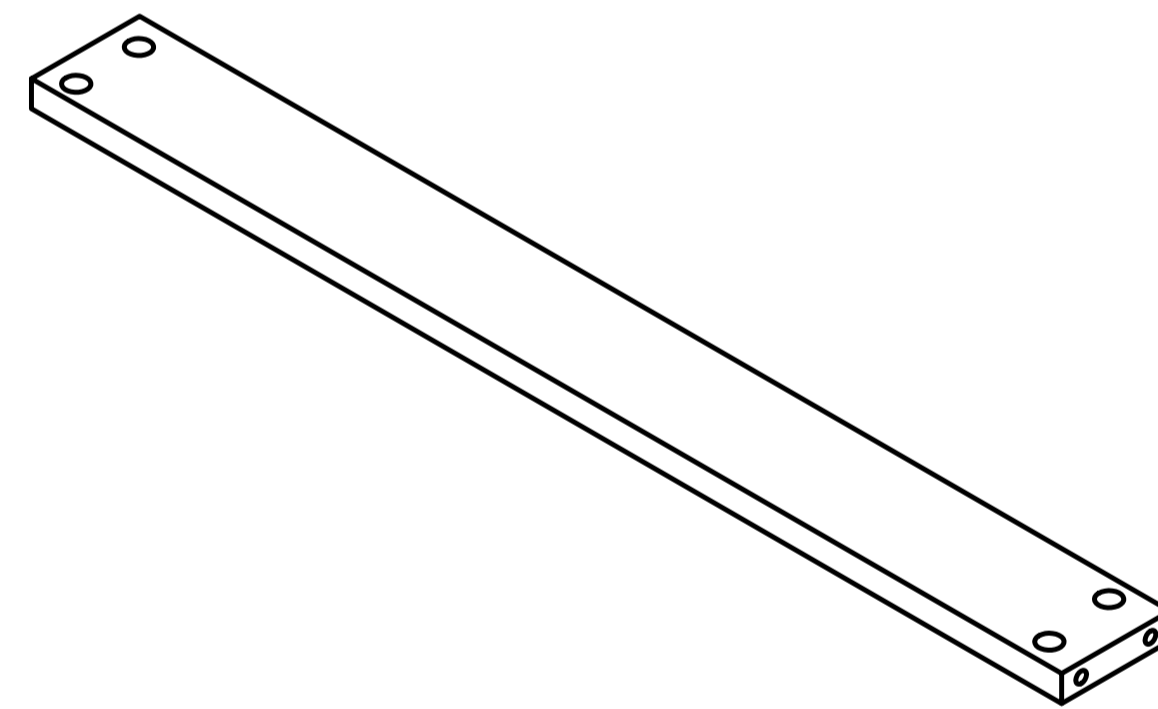
H x1



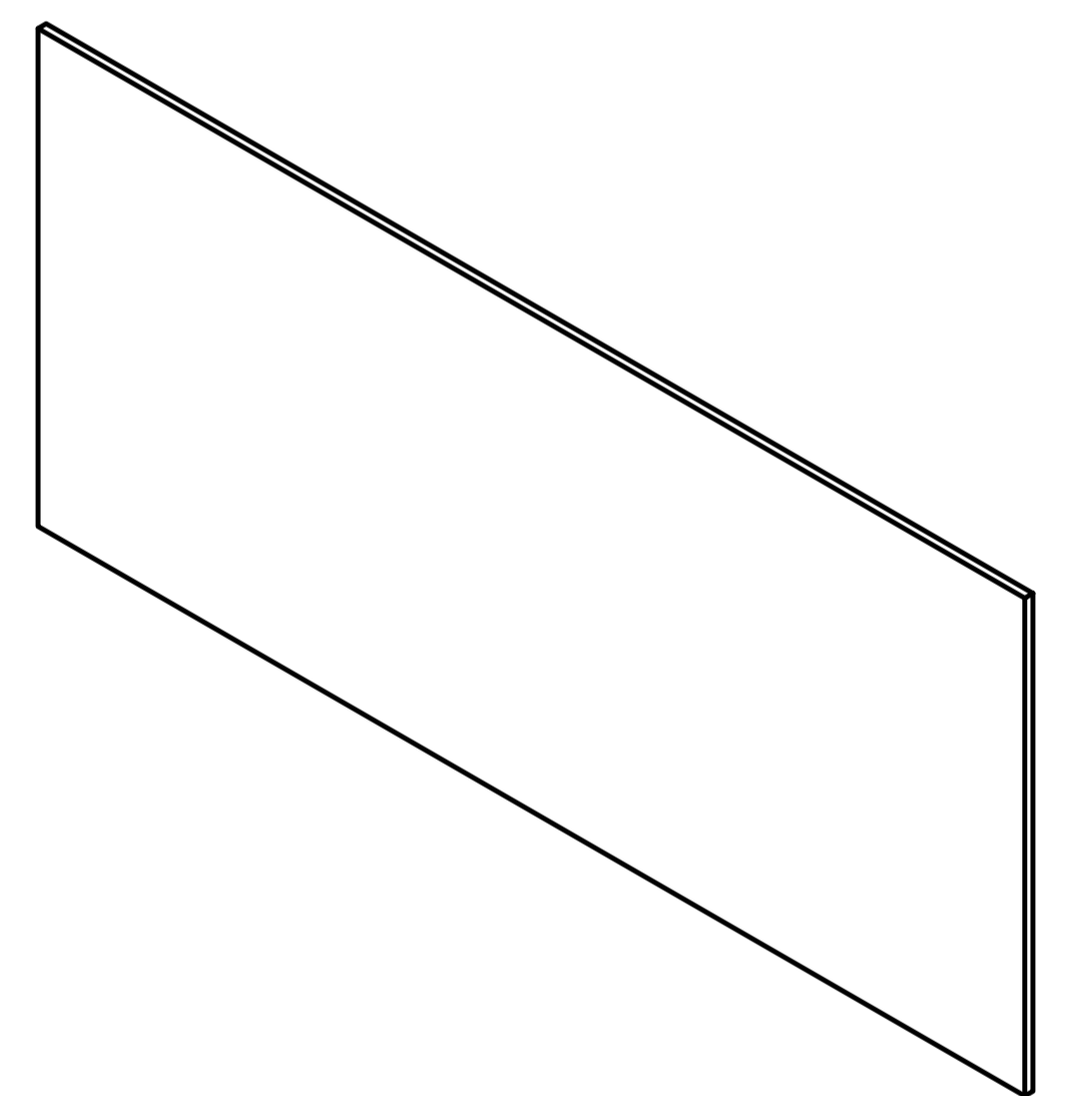
I1 x1



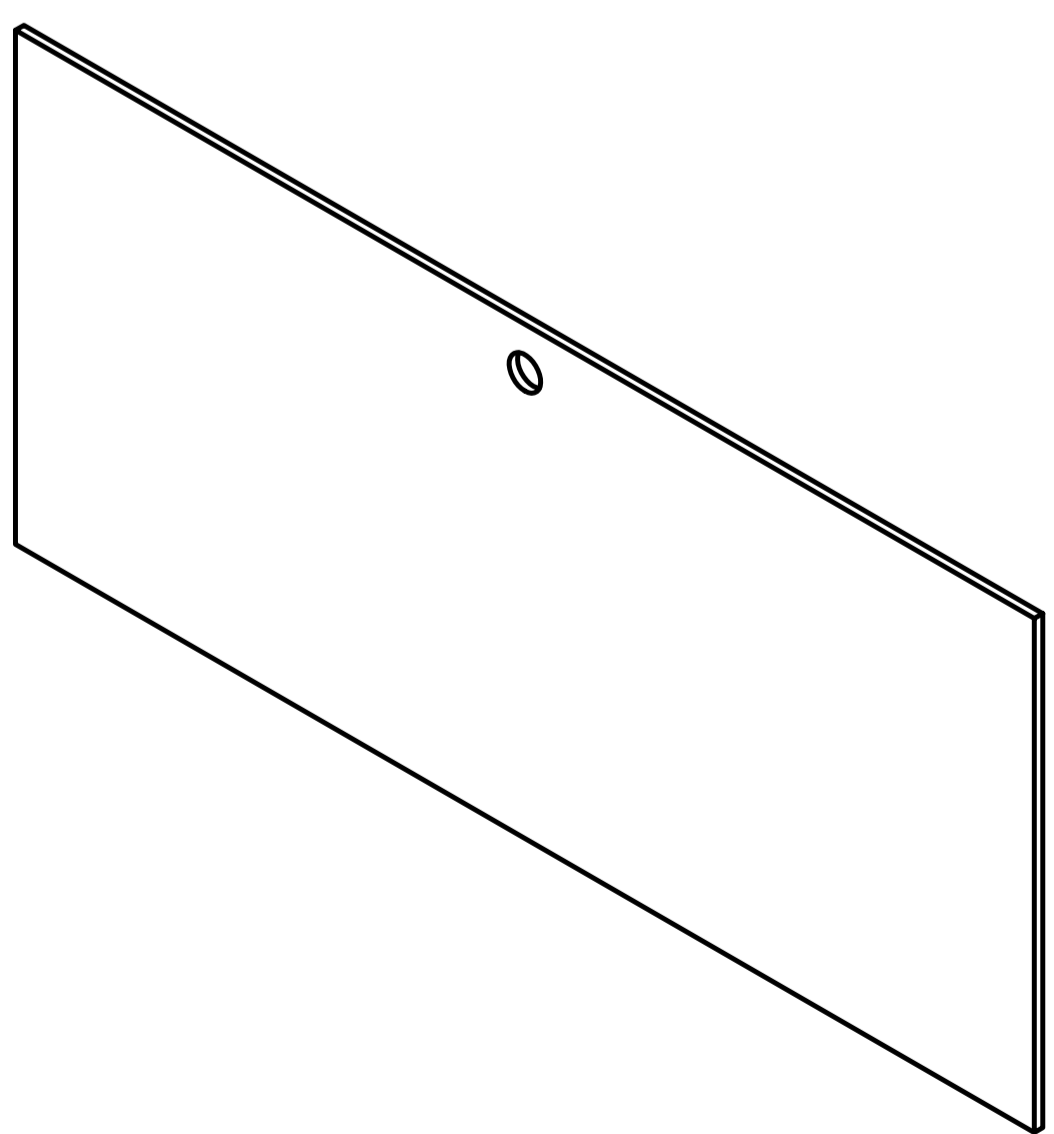
I2 x1



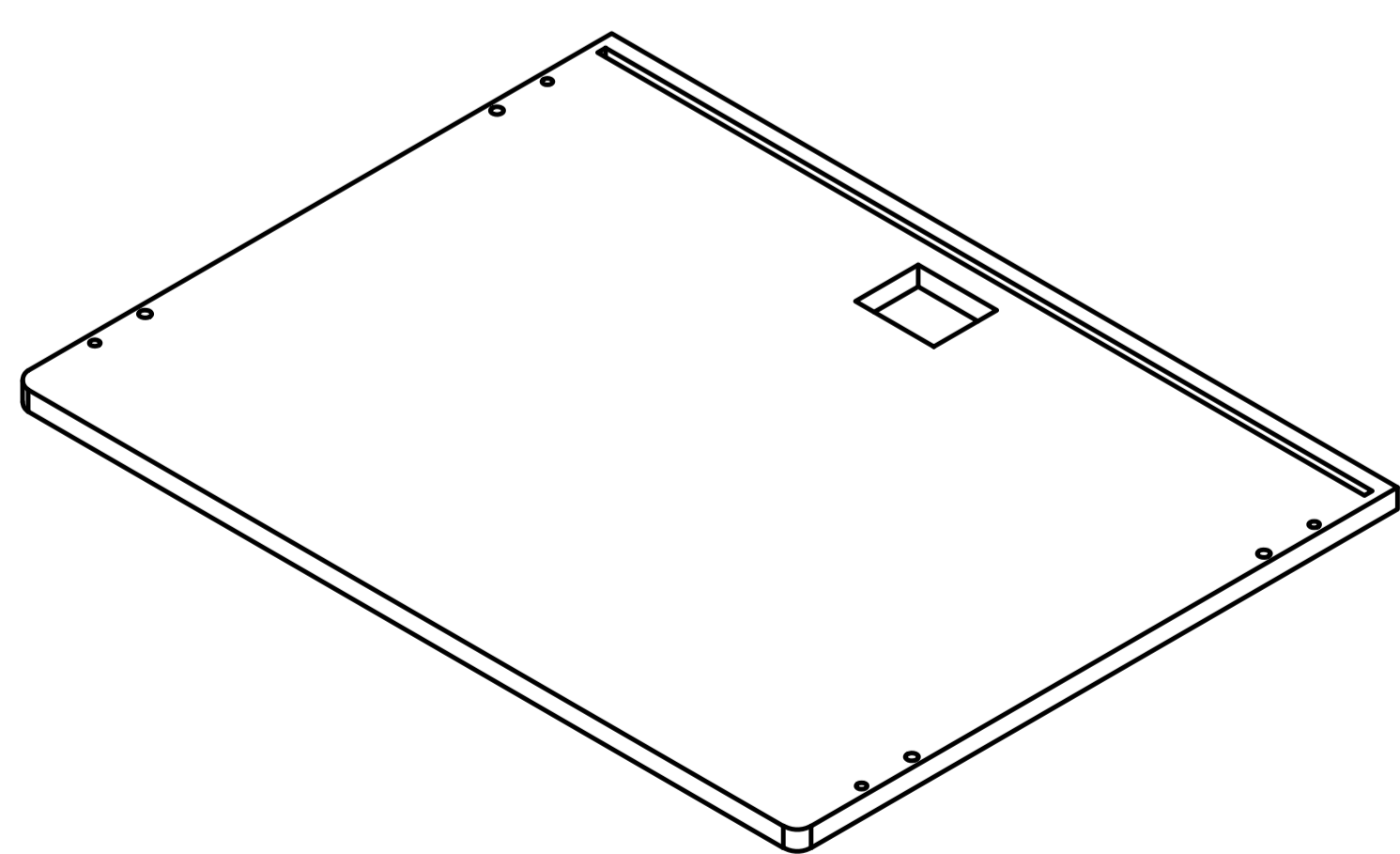
J x2



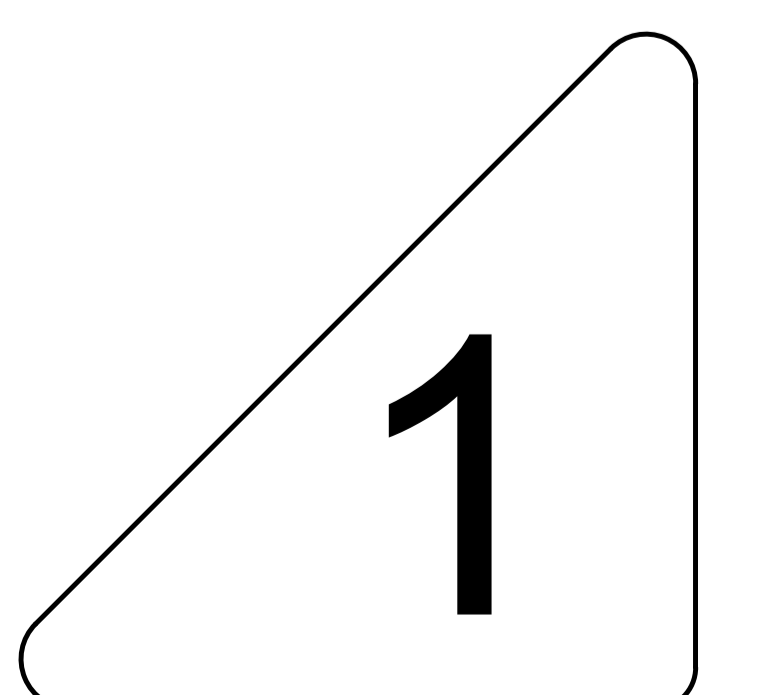
K1 x1



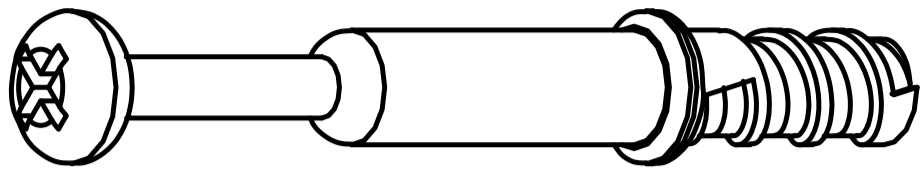
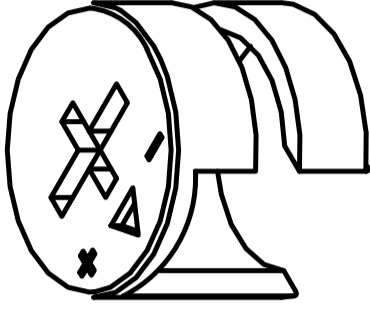

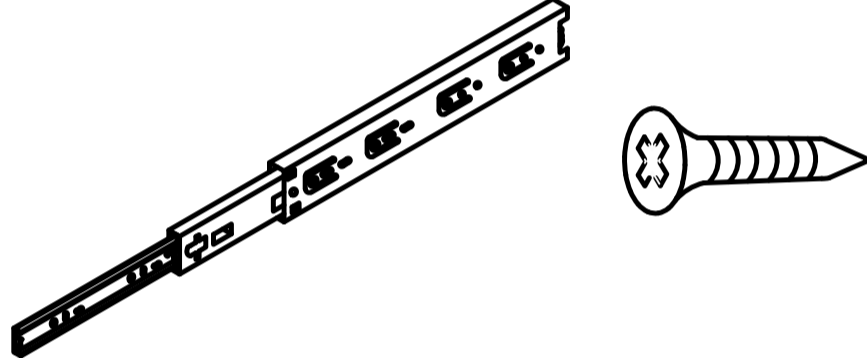

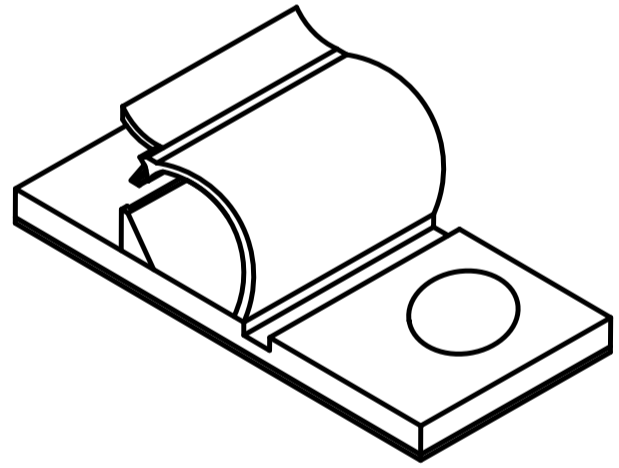
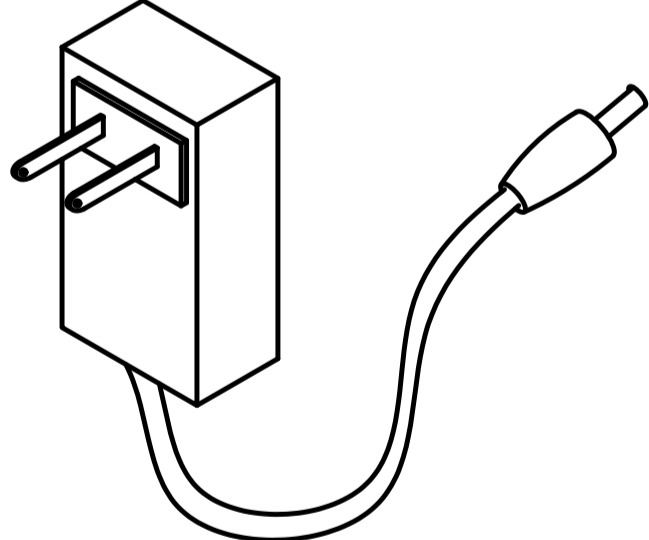
K2 x1

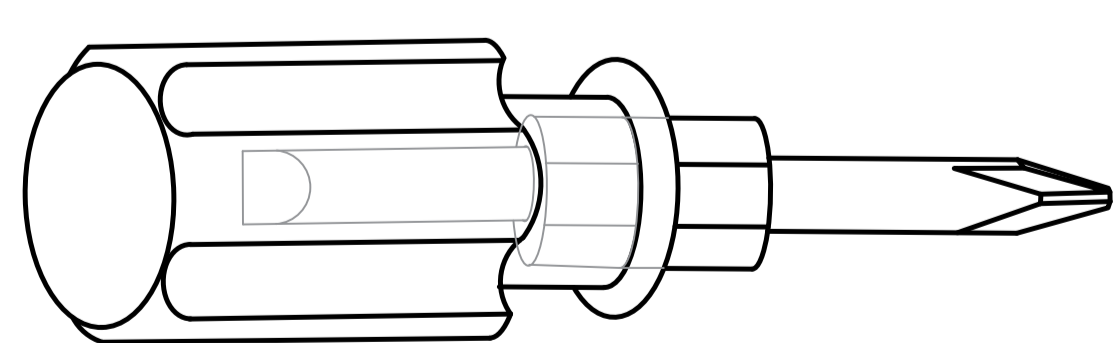


L x1

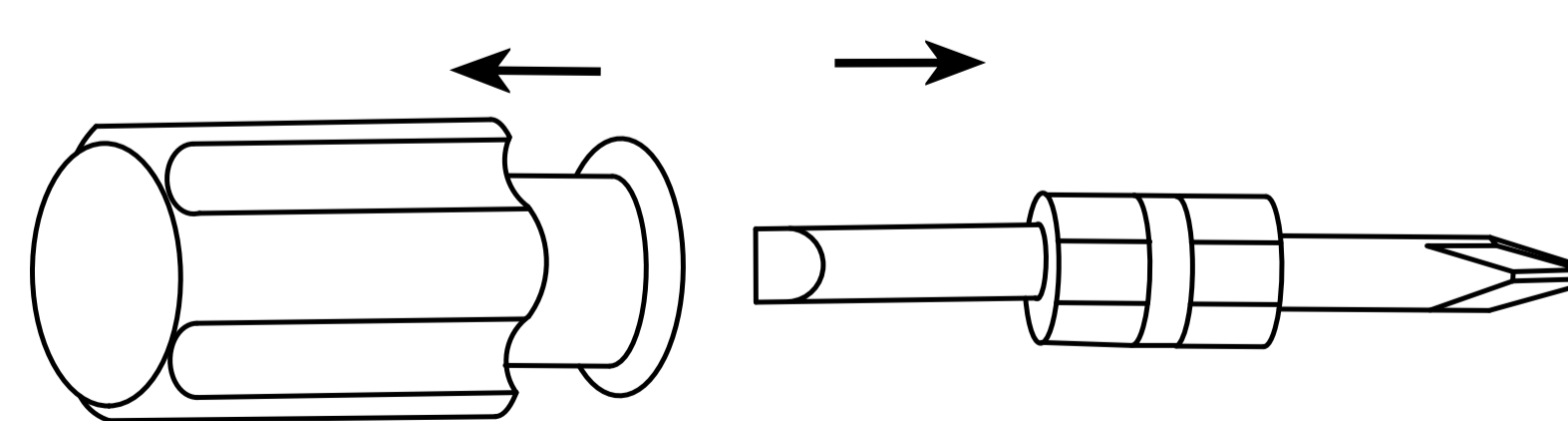


Accessories list

<p>①</p>		<p>Two In One Screw (6x28mm)</p>	<p>54pcs +5pcs</p>
<p>②</p>		<p>Two In One Nut (10x12mm)</p>	<p>54pcs +5pcs</p>
<p>③</p>		<p>Wood Chipping (6x30mm)</p>	<p>8pcs +1pcs</p>
<p>④</p>		<p>Guide rails & screws (3x12mm) 29cm</p>	<p>30pcs +6pcs 6pcs</p>
<p>⑤</p>		<p>Fixing Clip & Screw (3x16mm)</p>	<p>10pcs +1pcs</p>
<p>⑥</p>		<p>Wire Clamp</p>	<p>1pcs</p>
		<p>AC/DC Adapter (12V=2.0A)</p>	<p>1pcs</p>

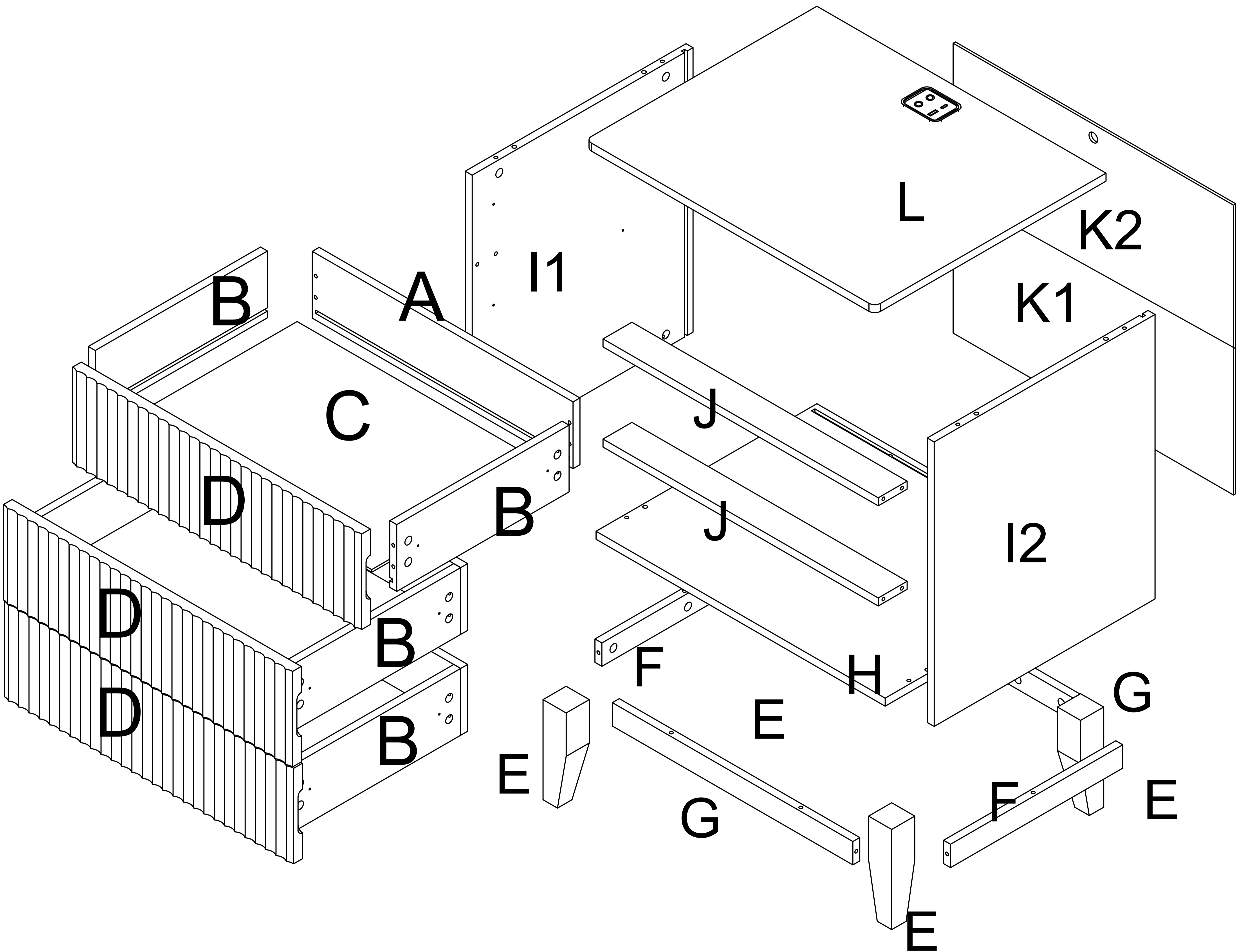


1pcs



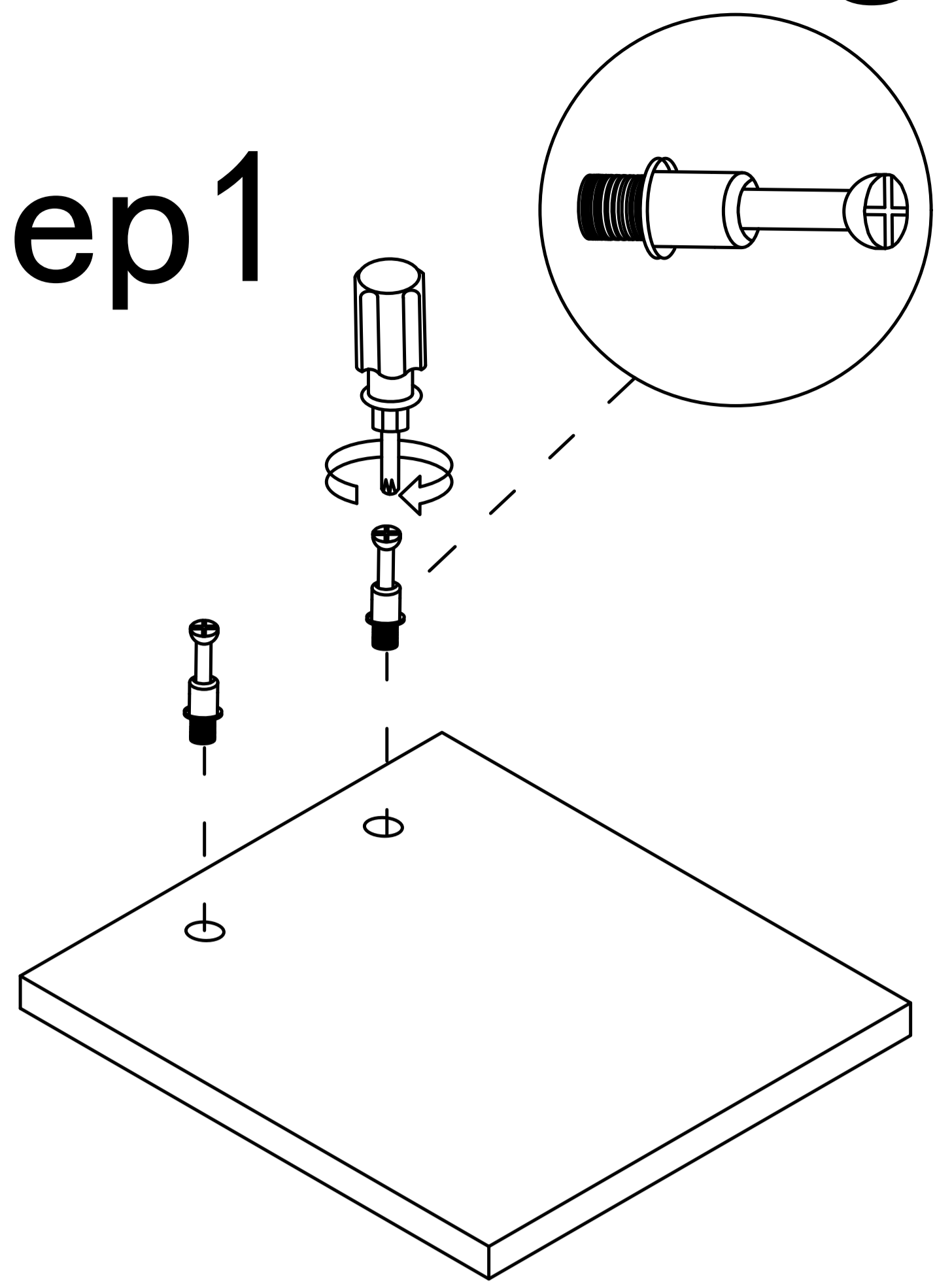
Double-head screwdriver, use as required

Product structure decomposition

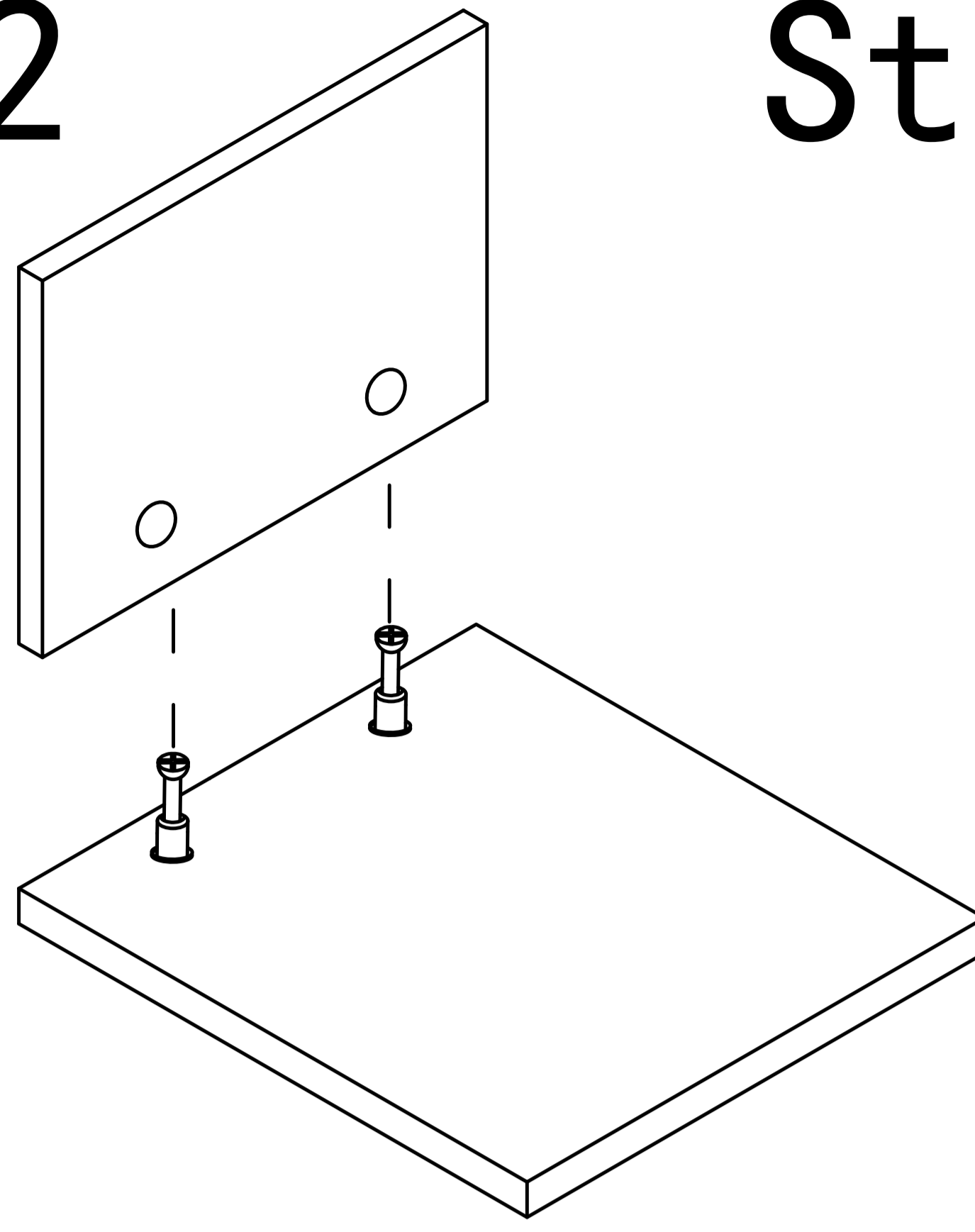


Use parts ① and ②

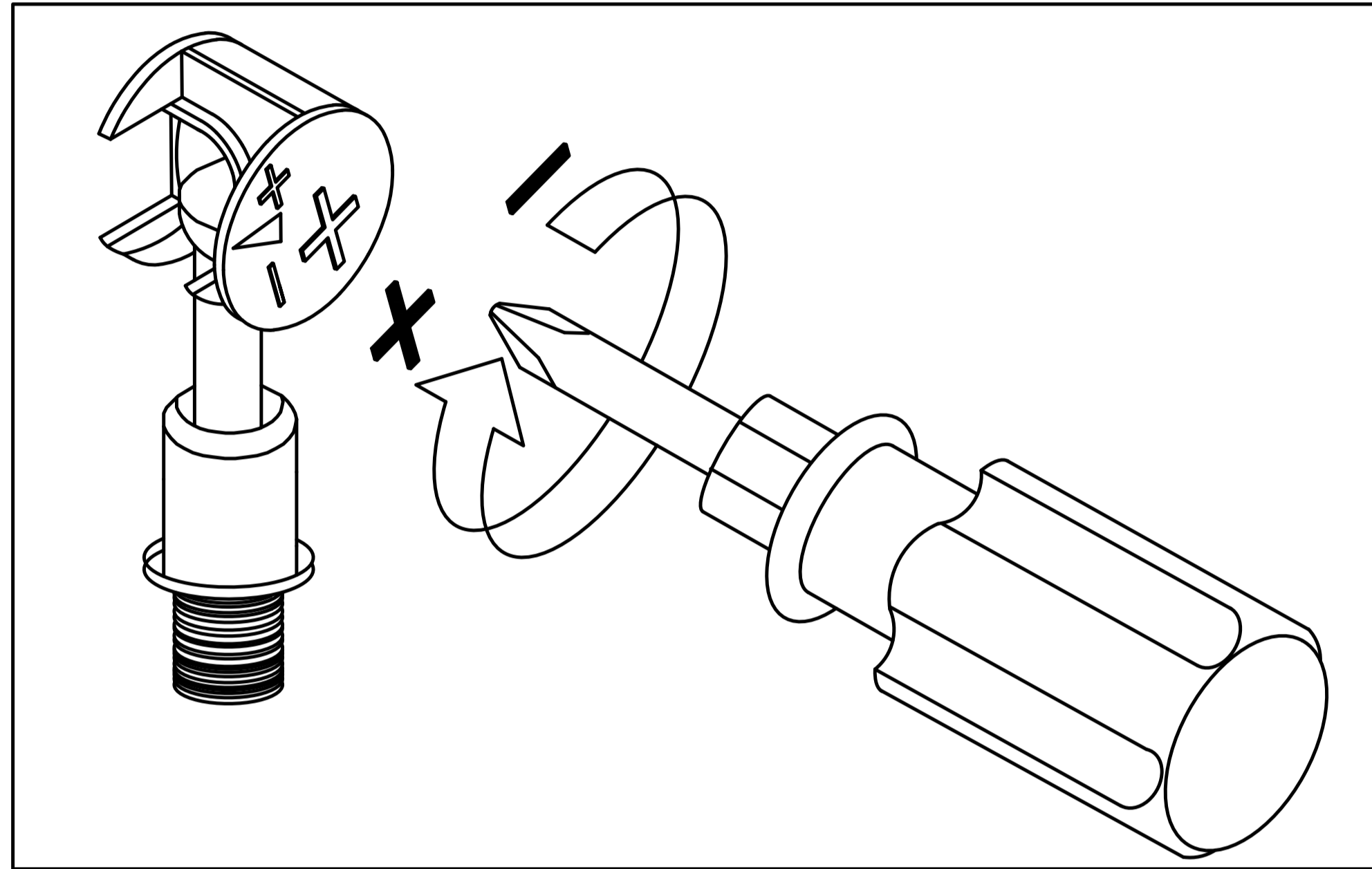
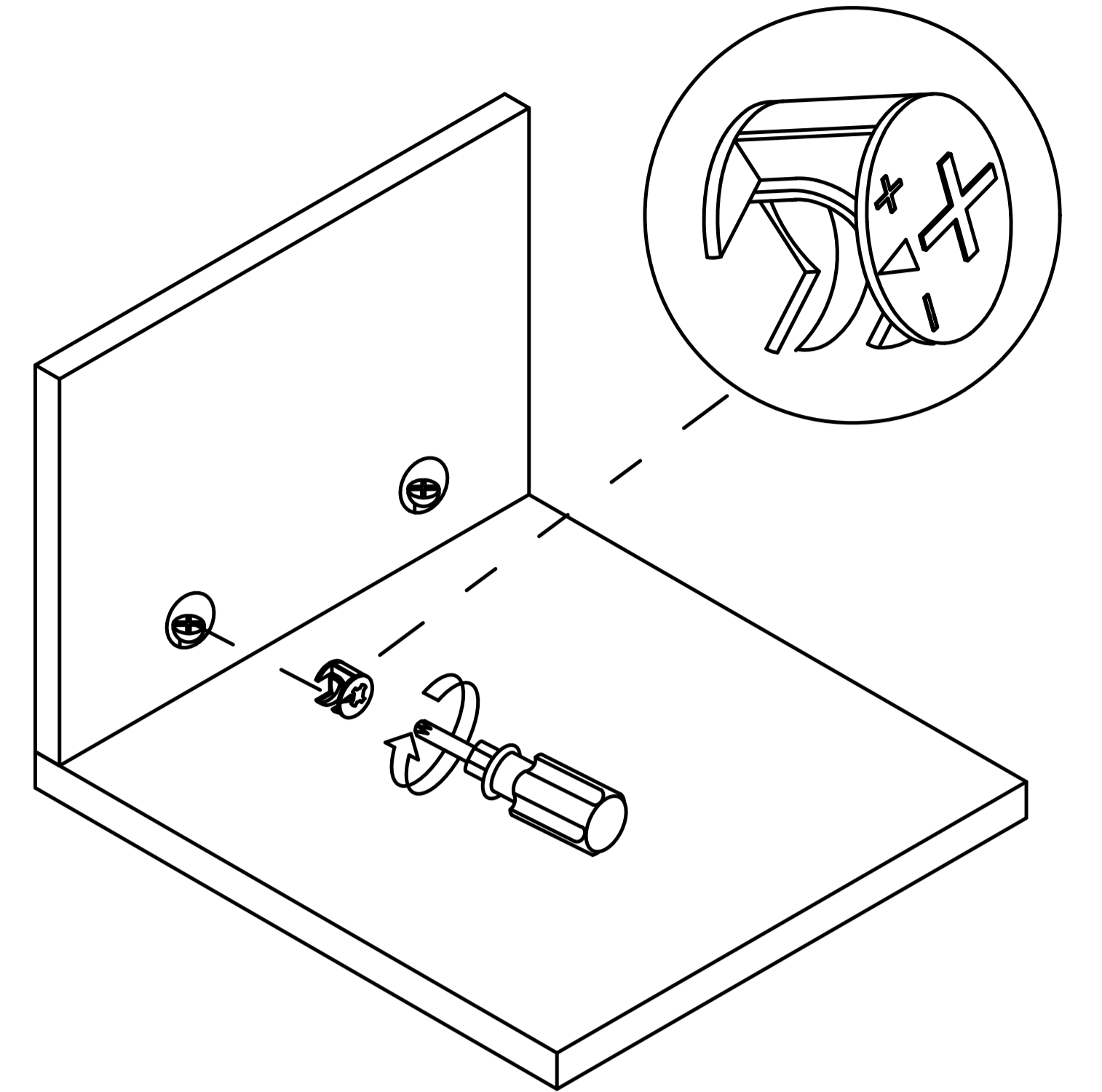
Step 1



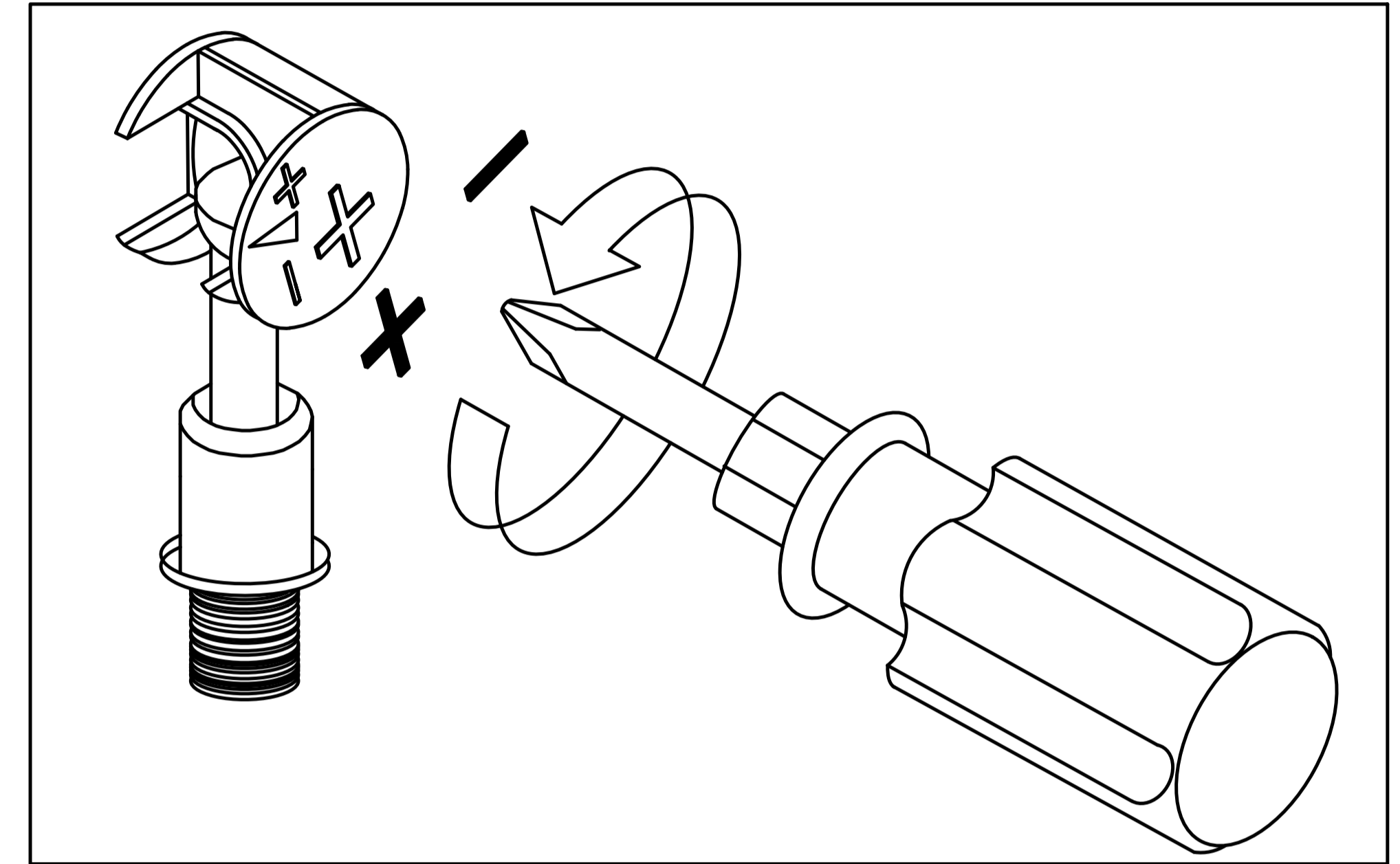
Step 2



Step 3

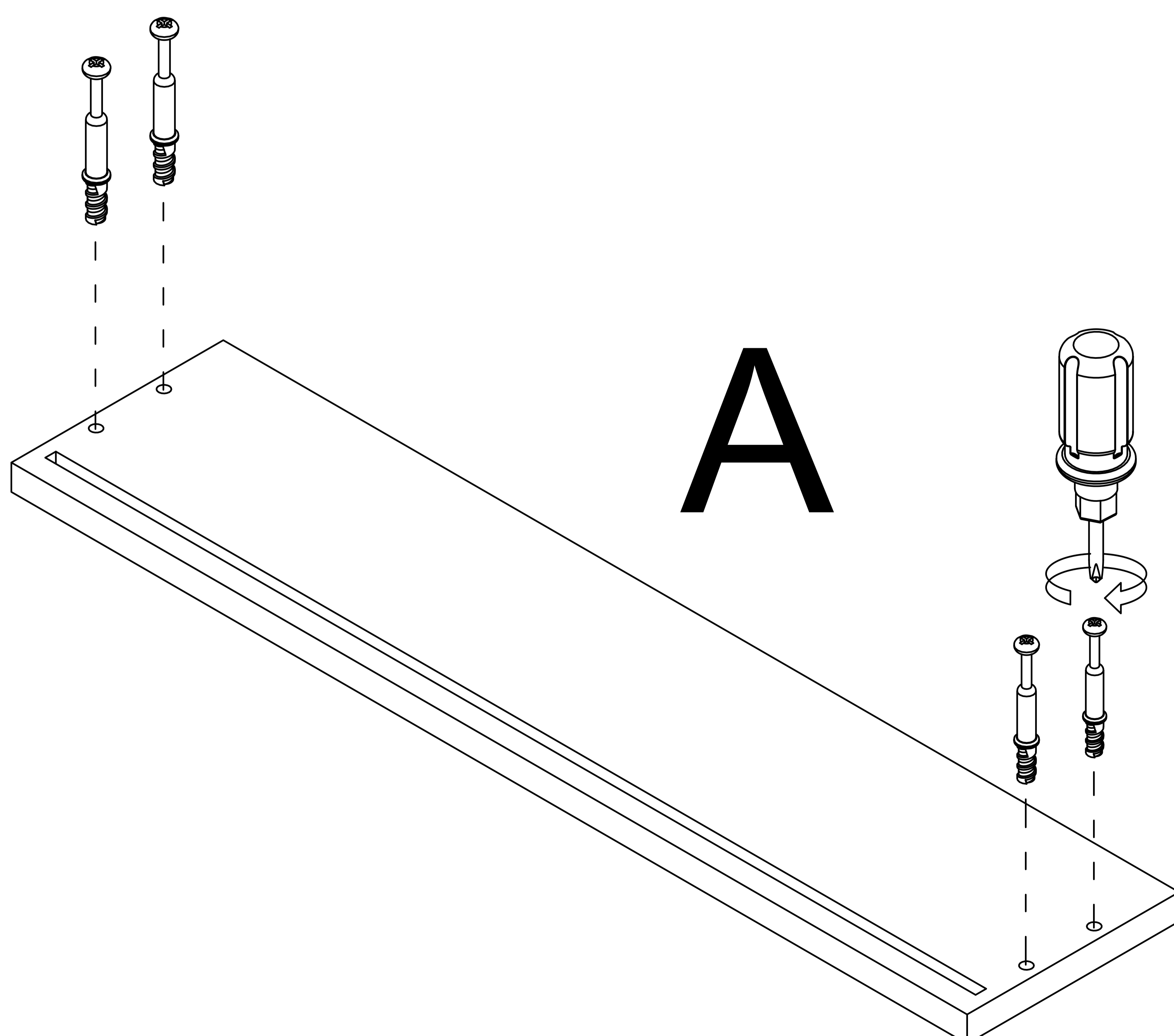
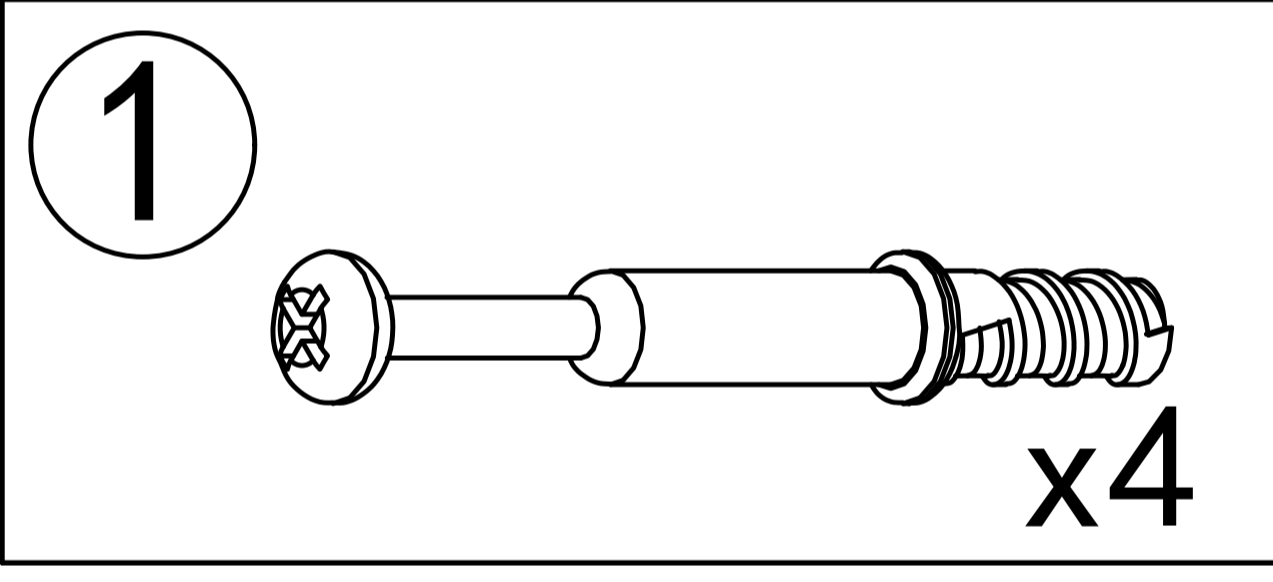


Use a screwdriver to lock in the direction of the "+" sign



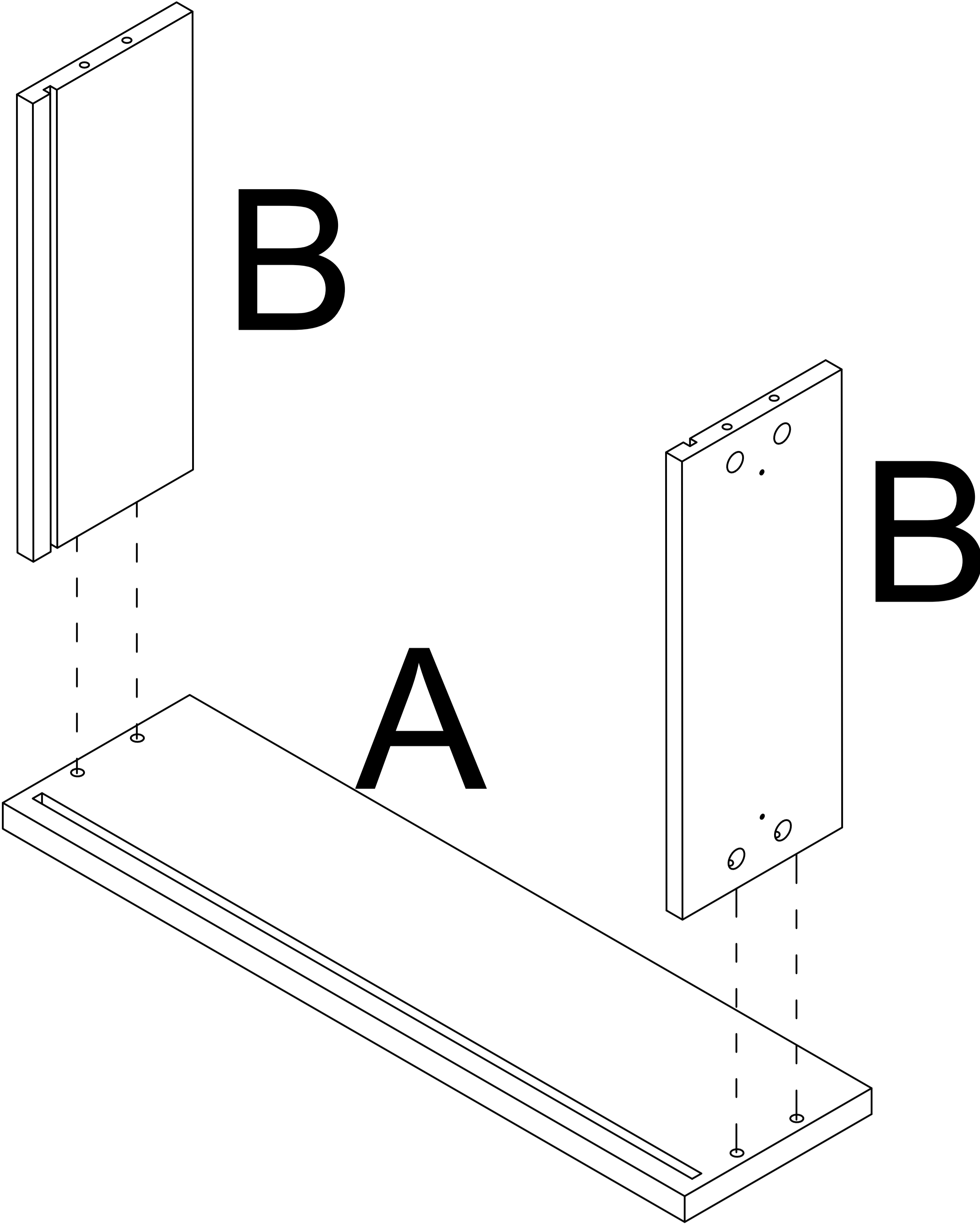
Disassemble along the direction of "-" sign

Step 1

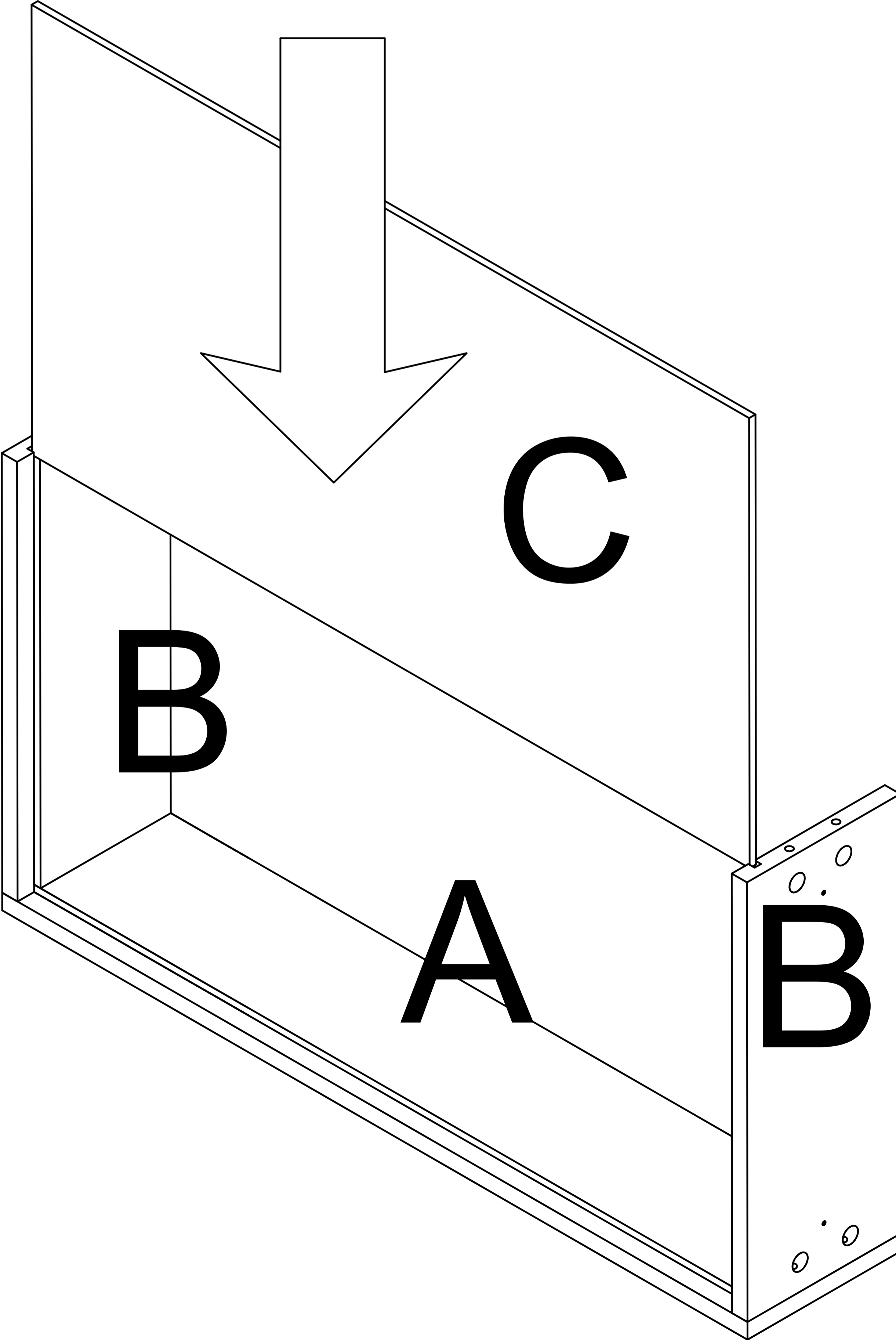


5

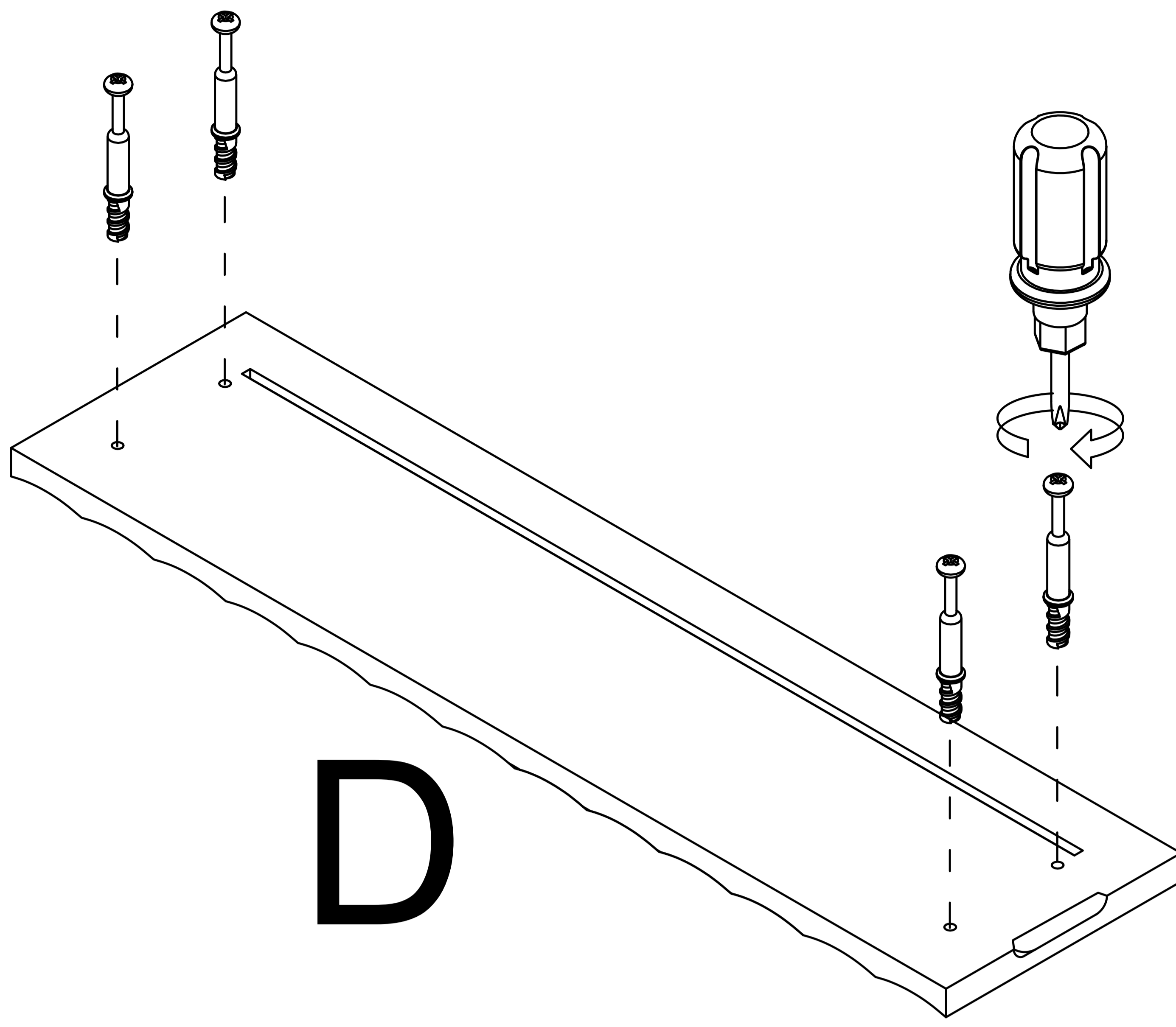
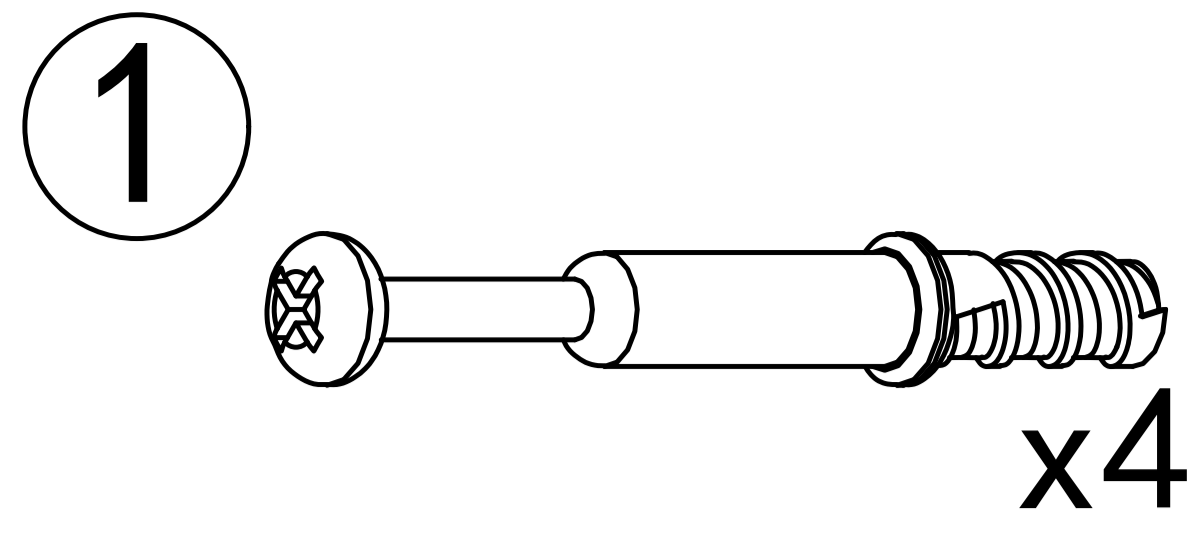
Step 2



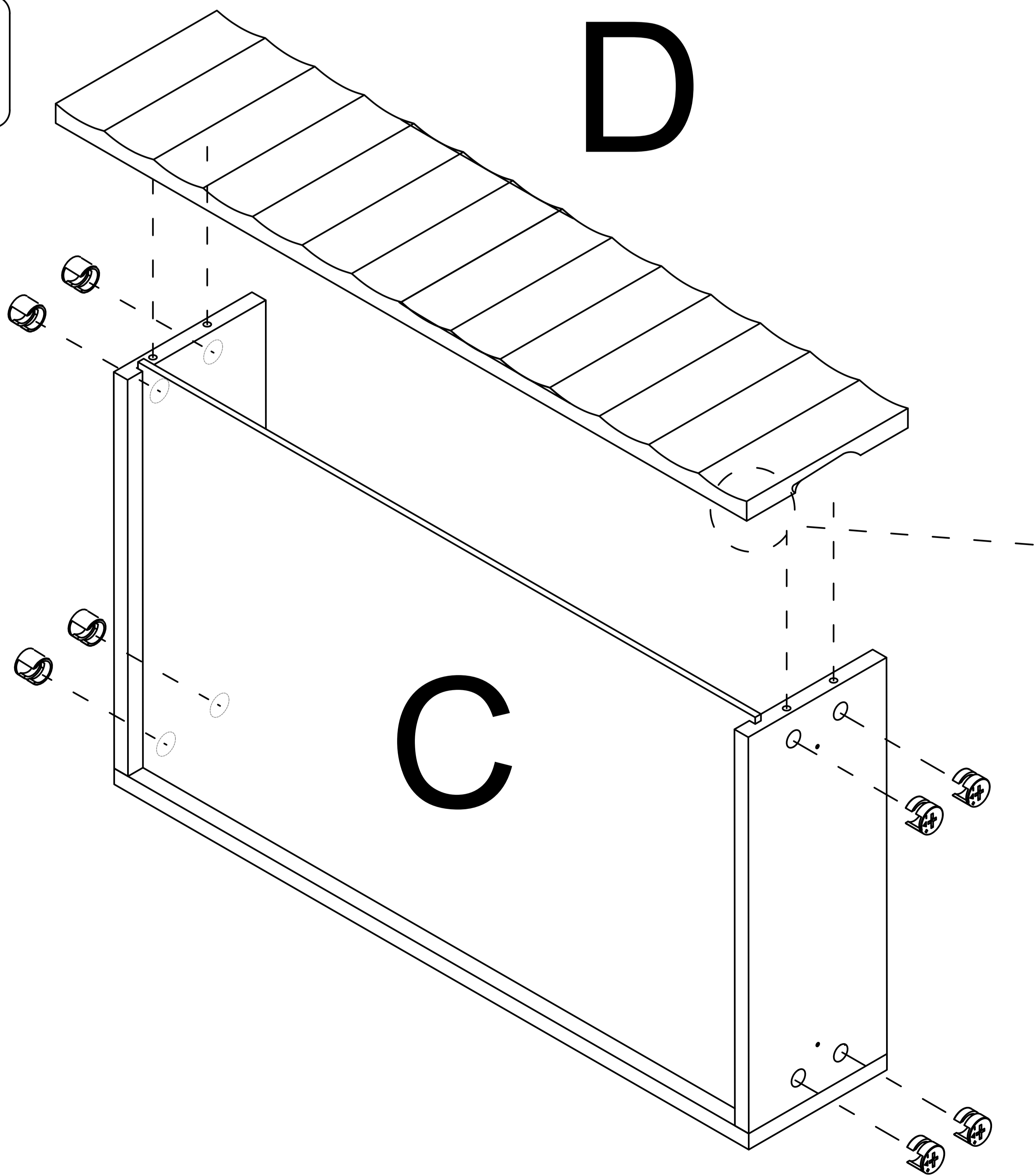
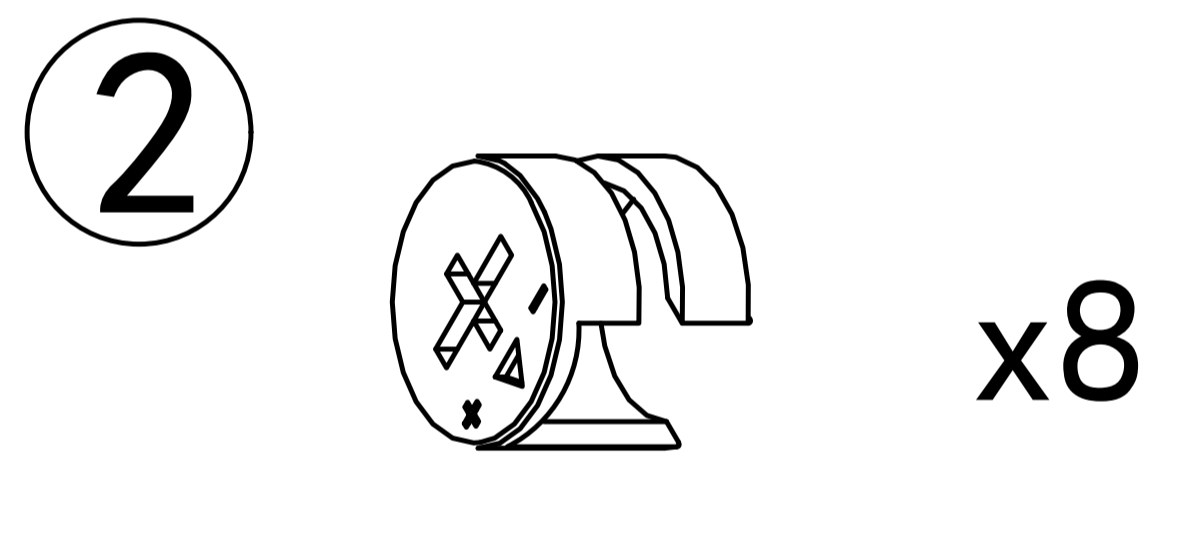
Step 3



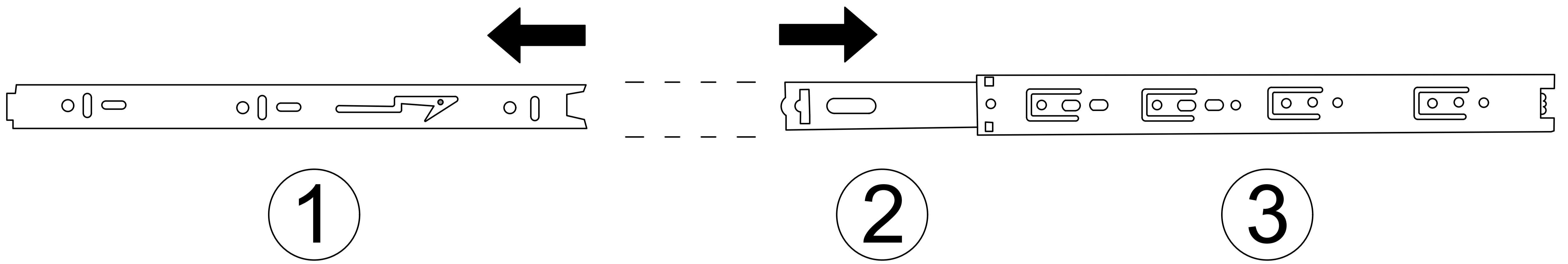
Step 4



Step 5

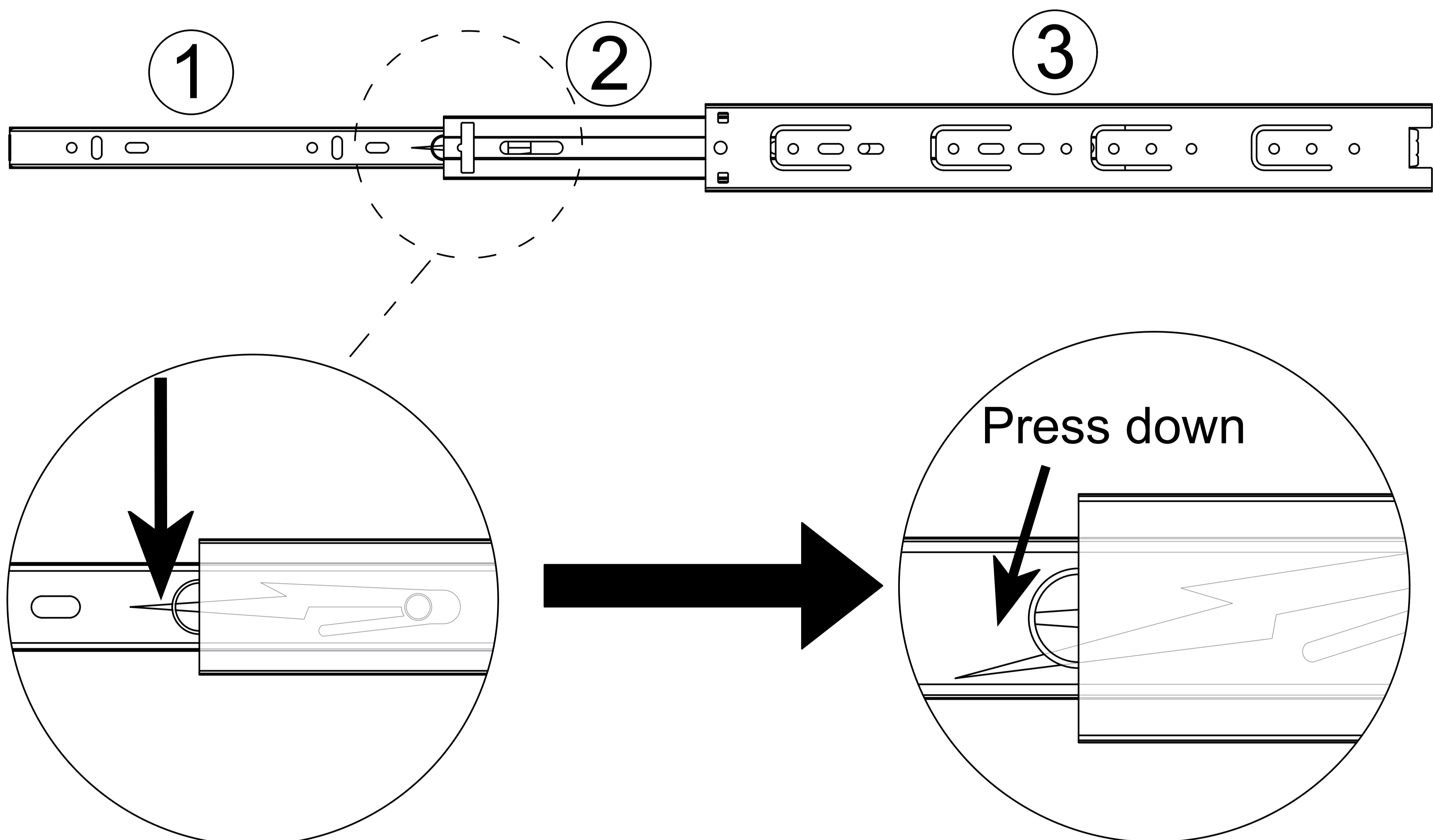


Drawer rail breakdown diagram



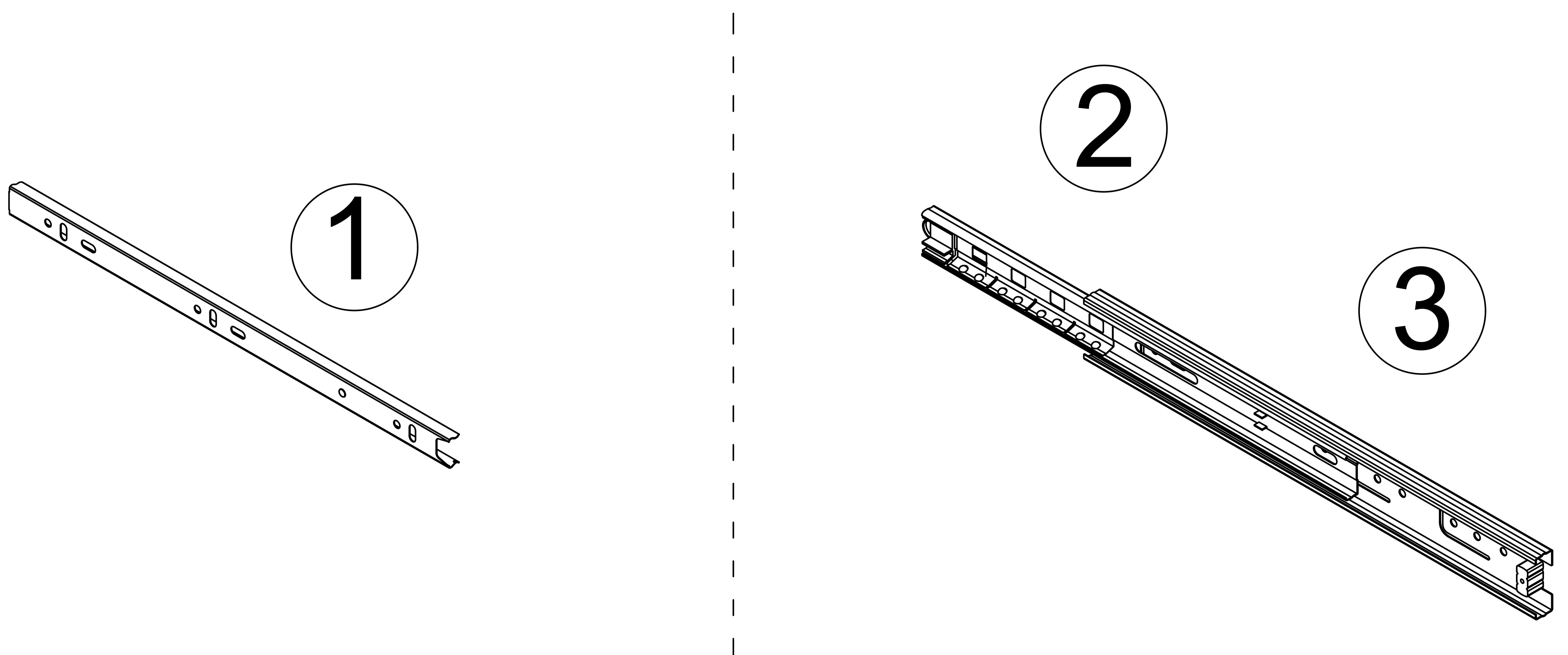
① Dismantle the schematic diagram

Step 1 : Pull the rails apart

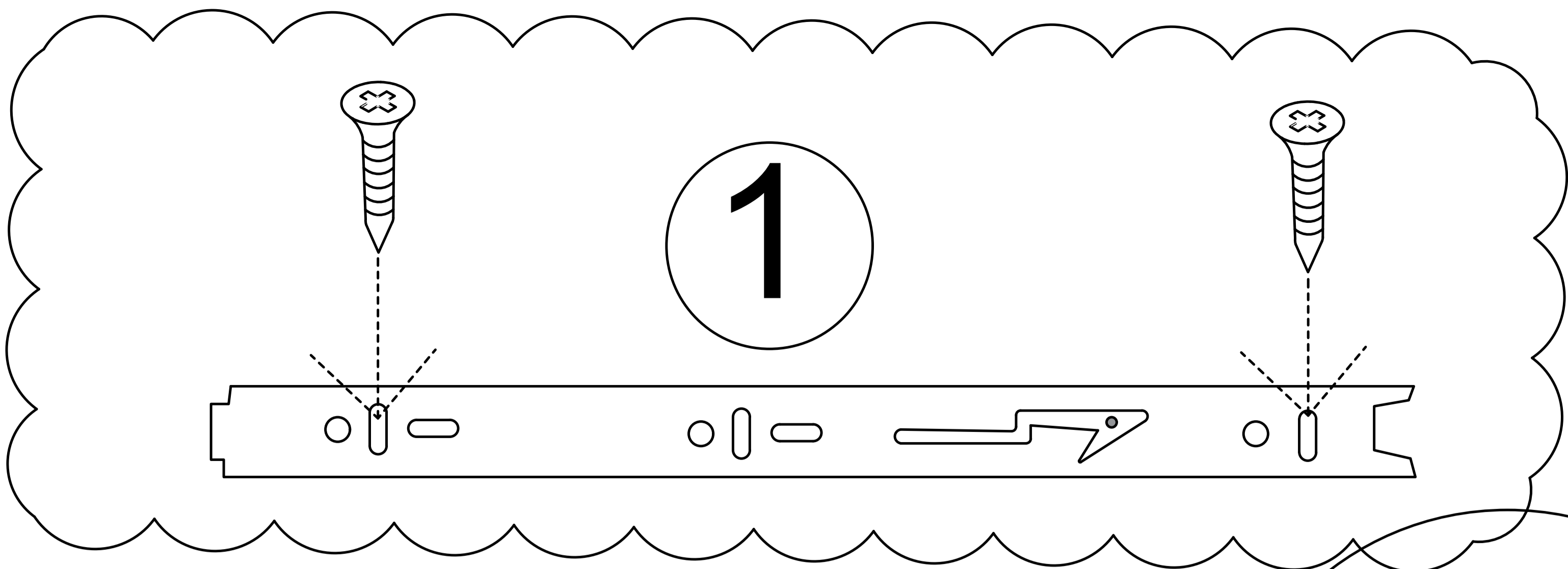


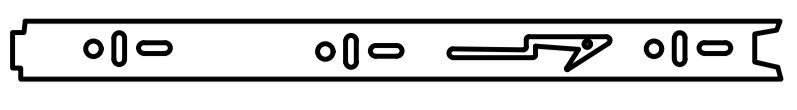

Step 2 : Press the nylon button and pull out ①.

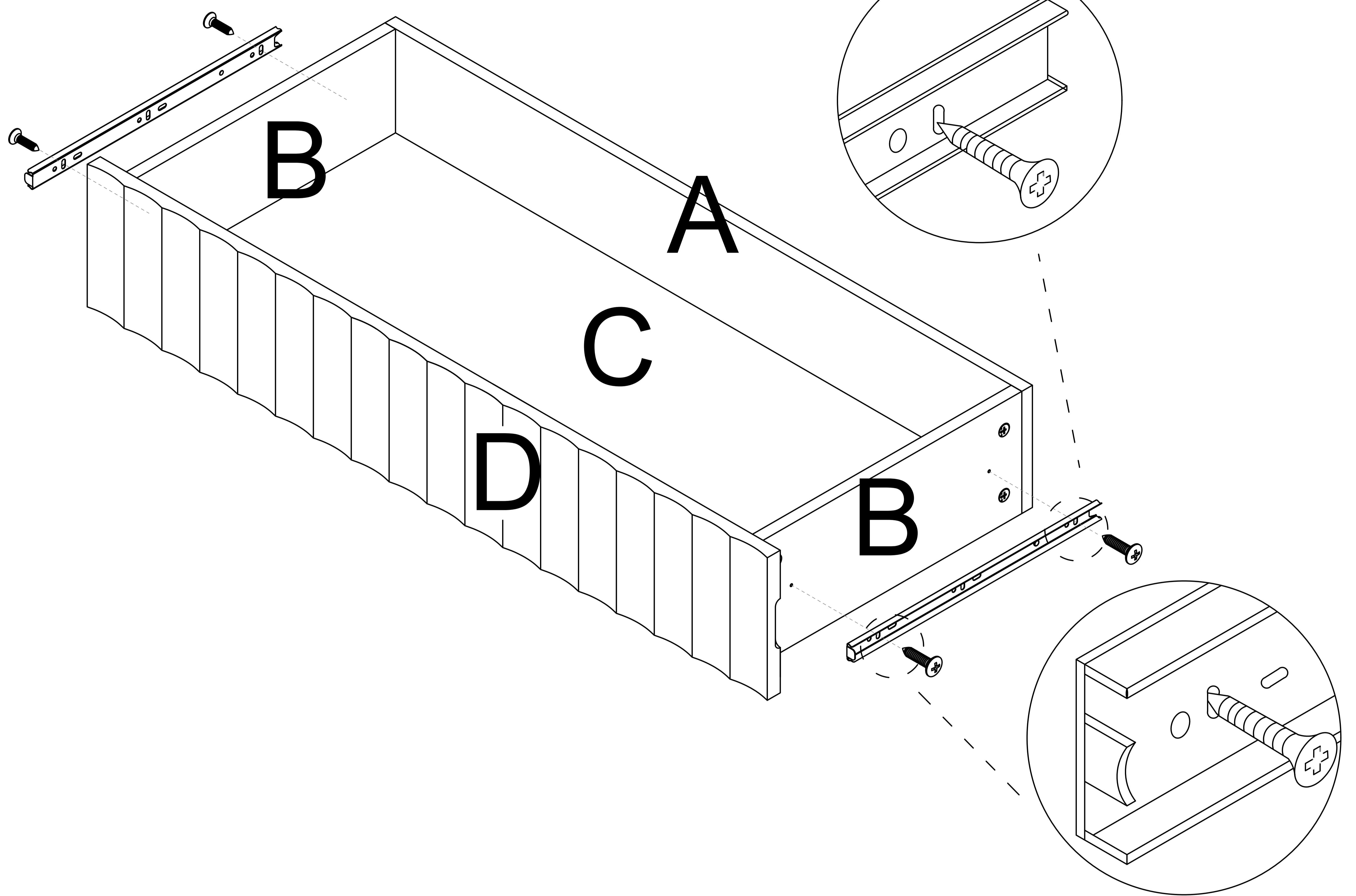
Drawer rail decomposition completed schematic diagram



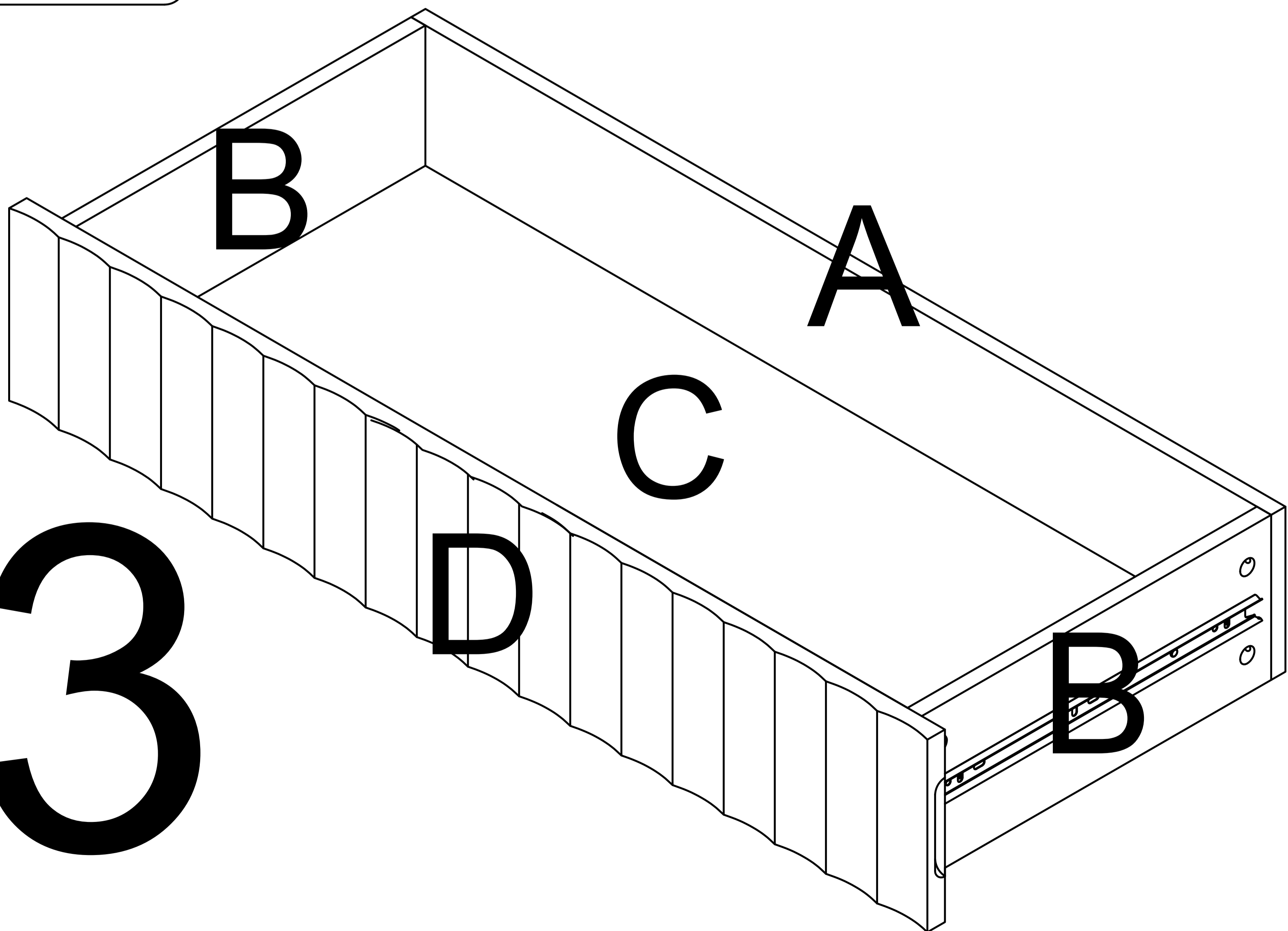
Step 6

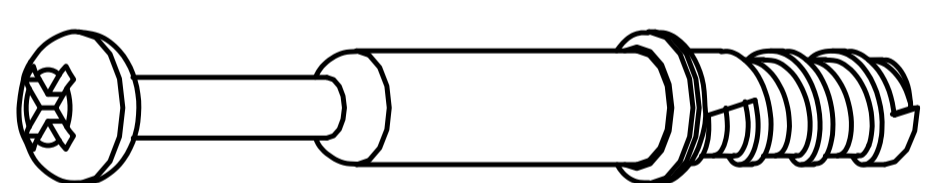
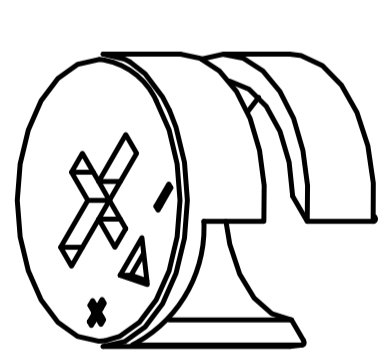
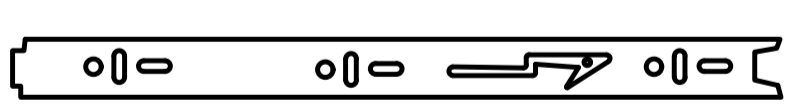
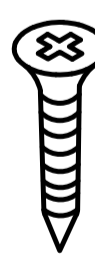


- 4  x2
-  x4



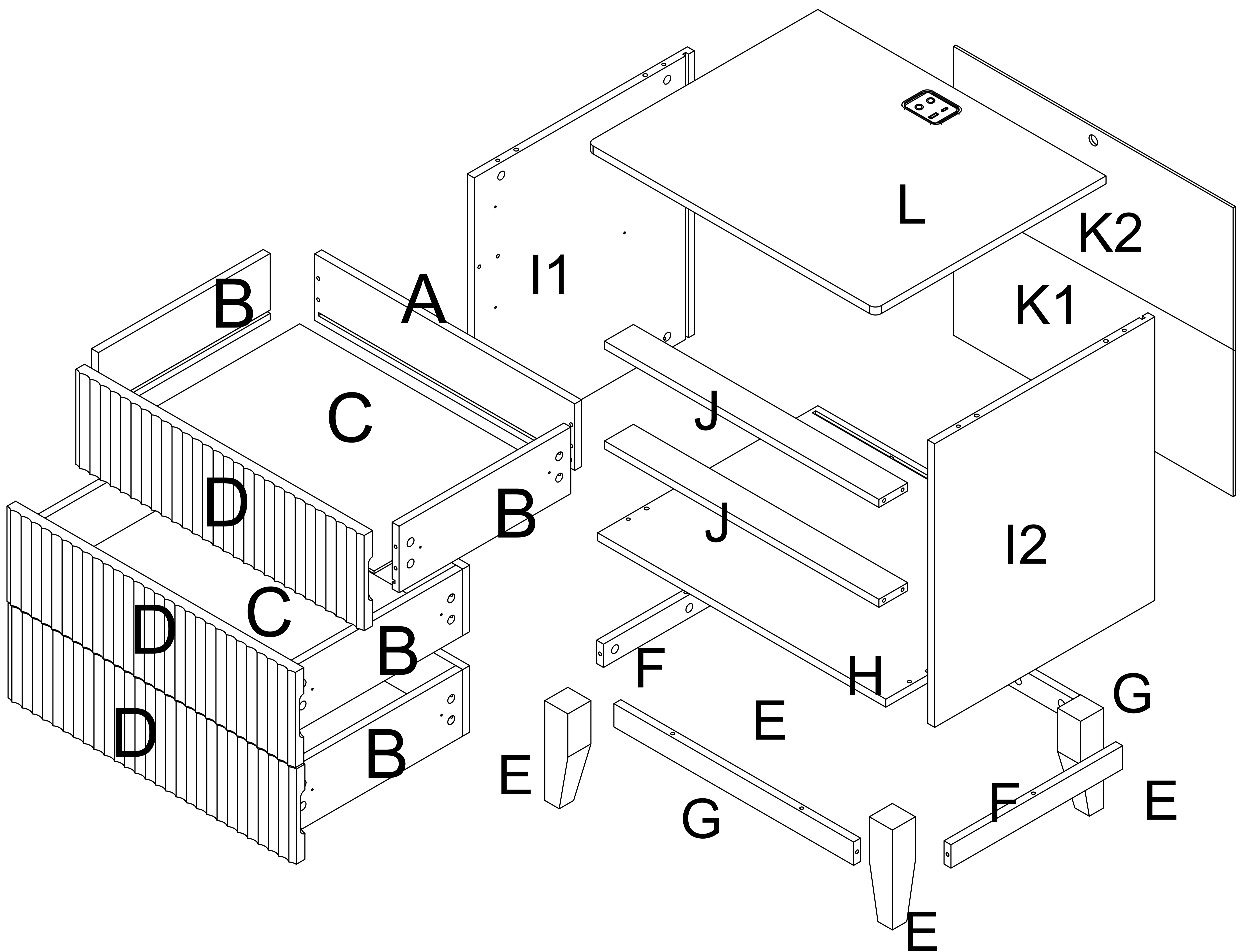
Step 7



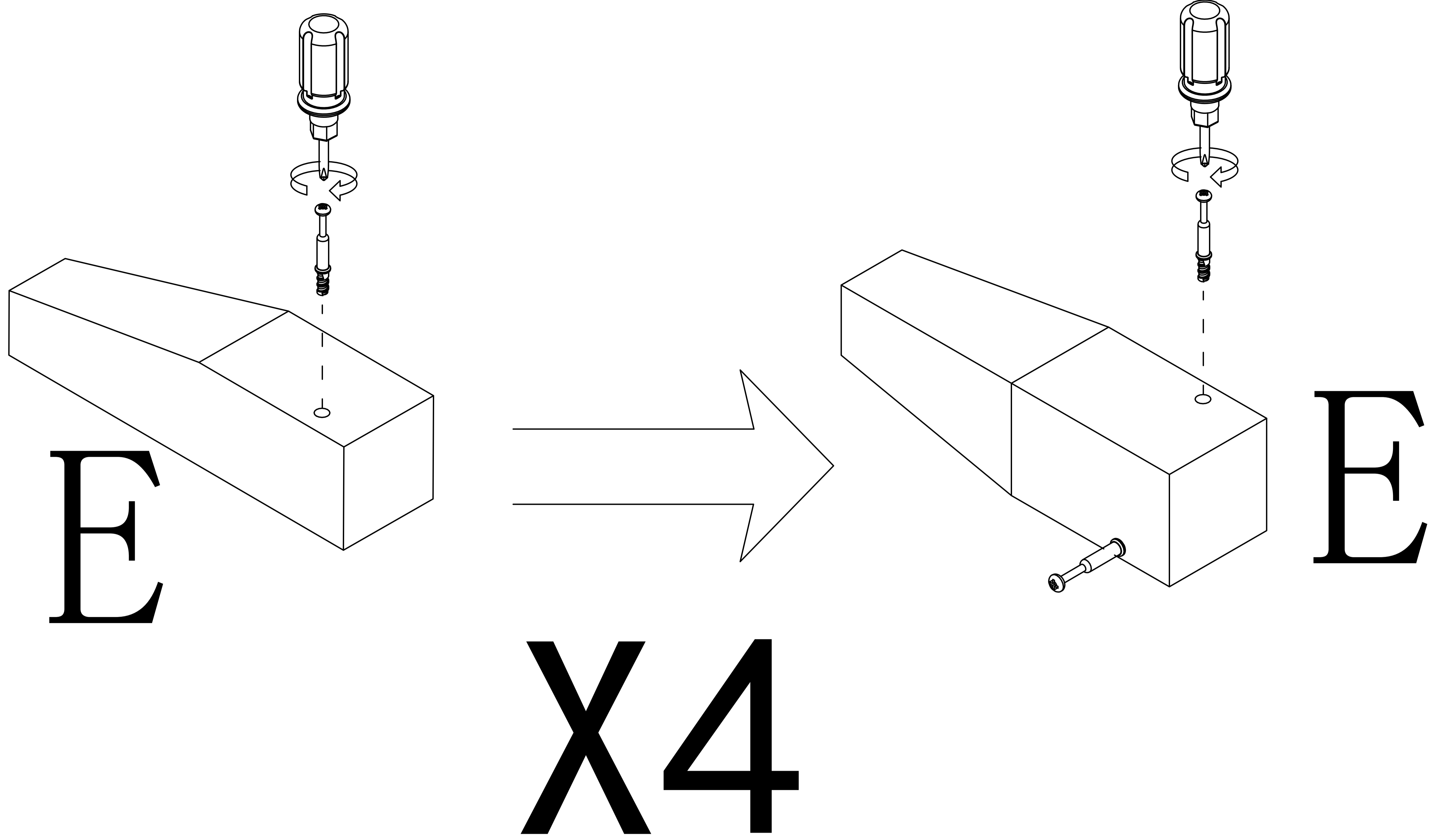
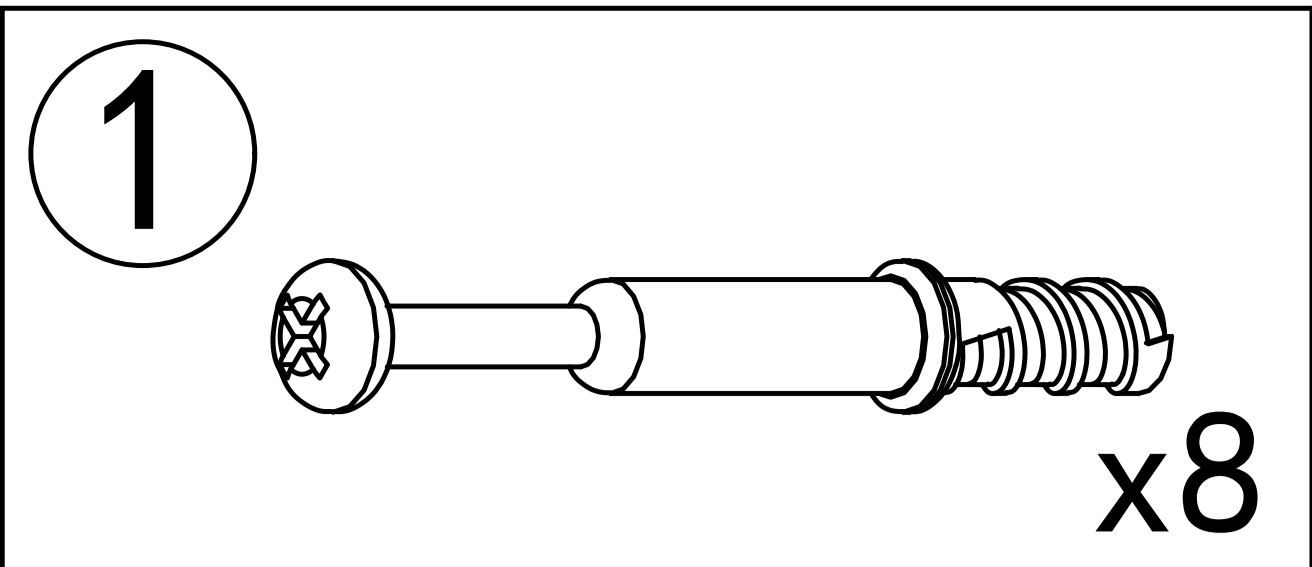
- 1  x16
- 2  x16
- 4  x4
-  x8

Repeat the drawer installation steps

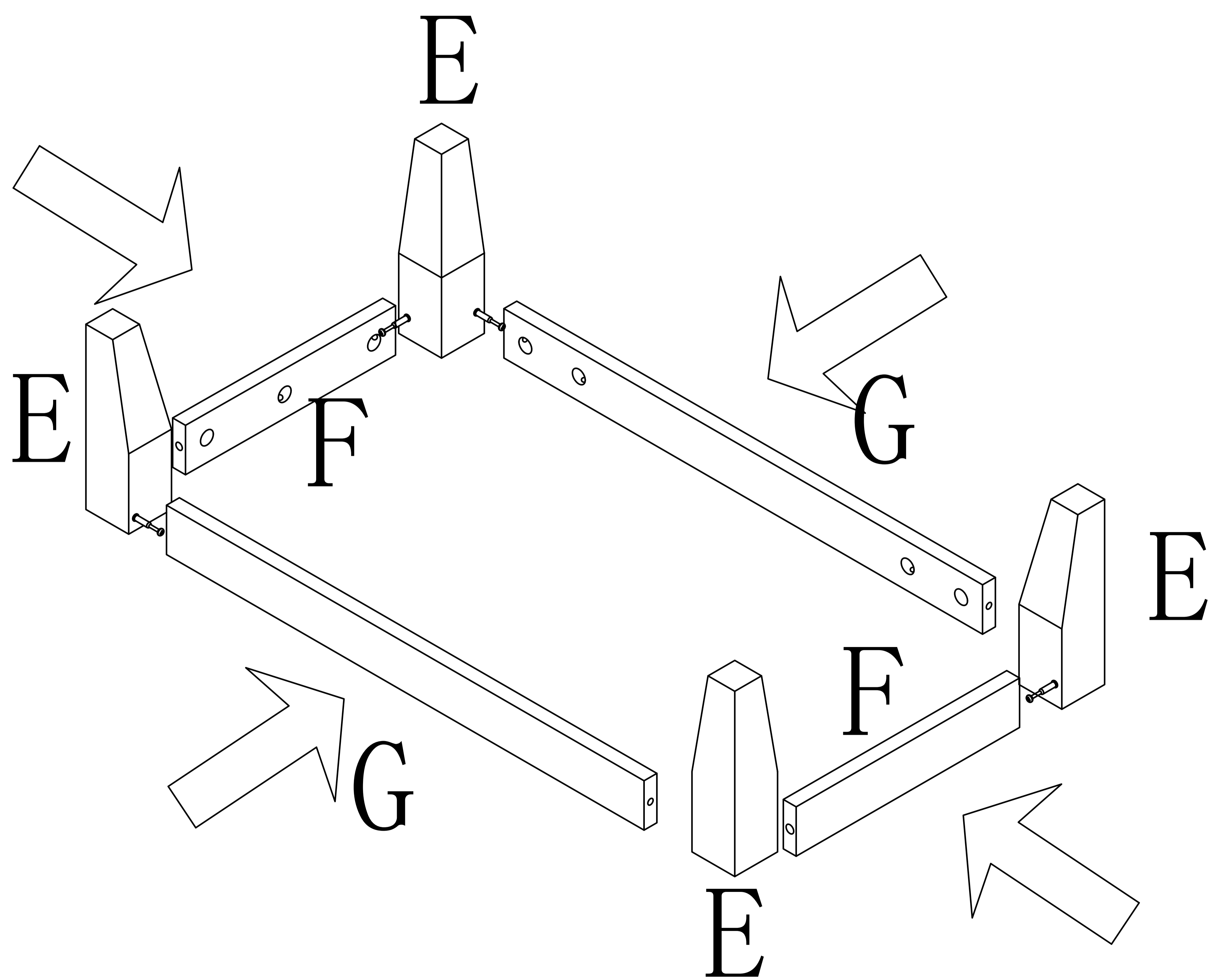
Product structure decomposition



Step 8

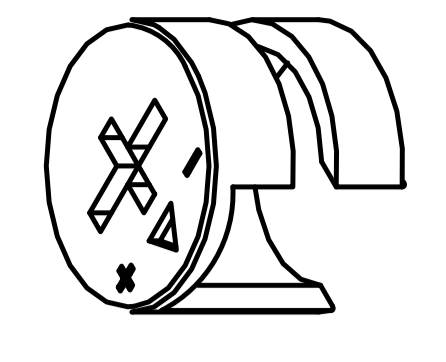


Step 9

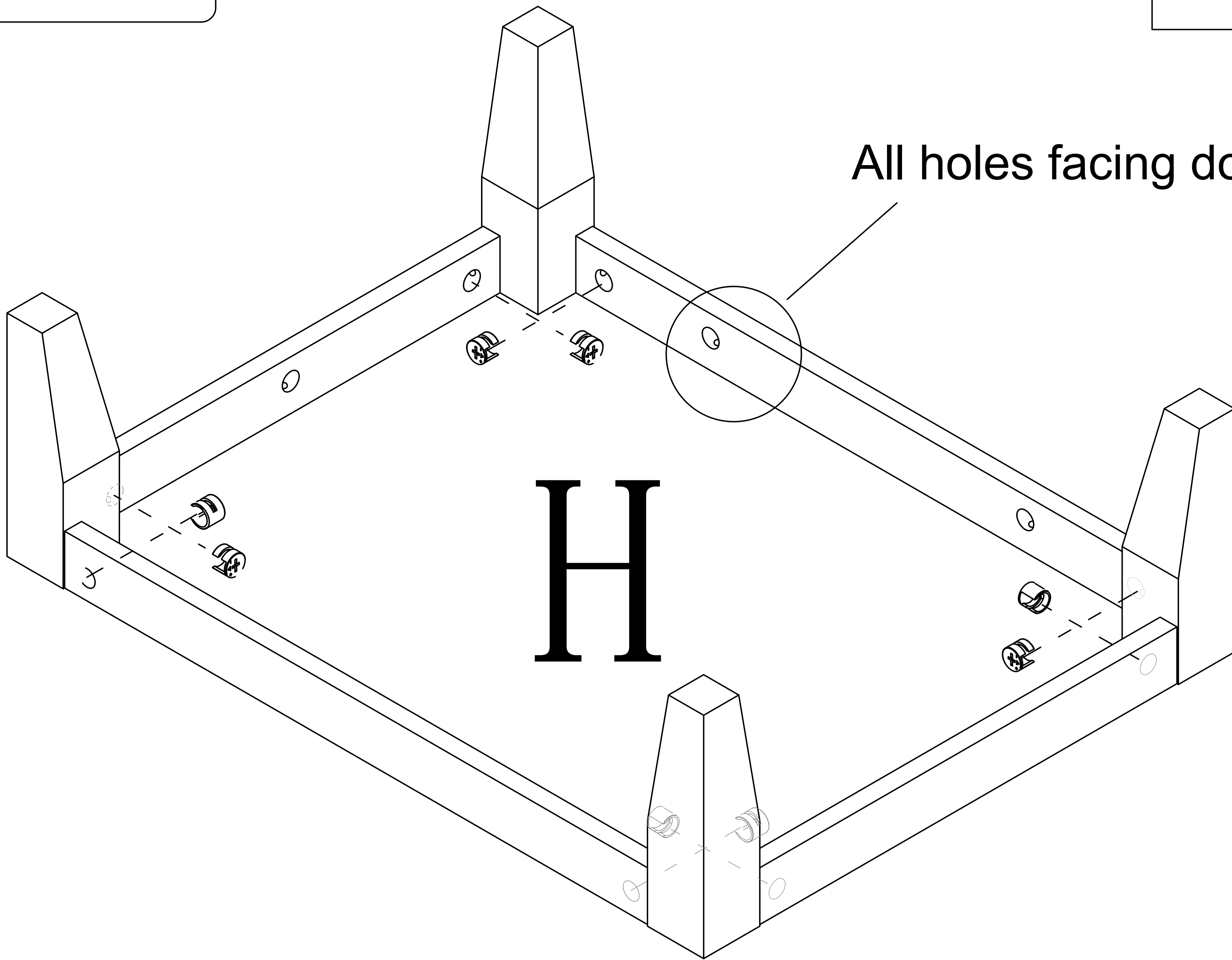


Step 10

2



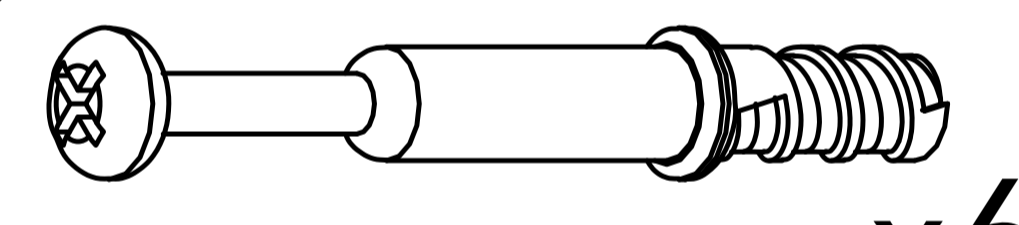
x8



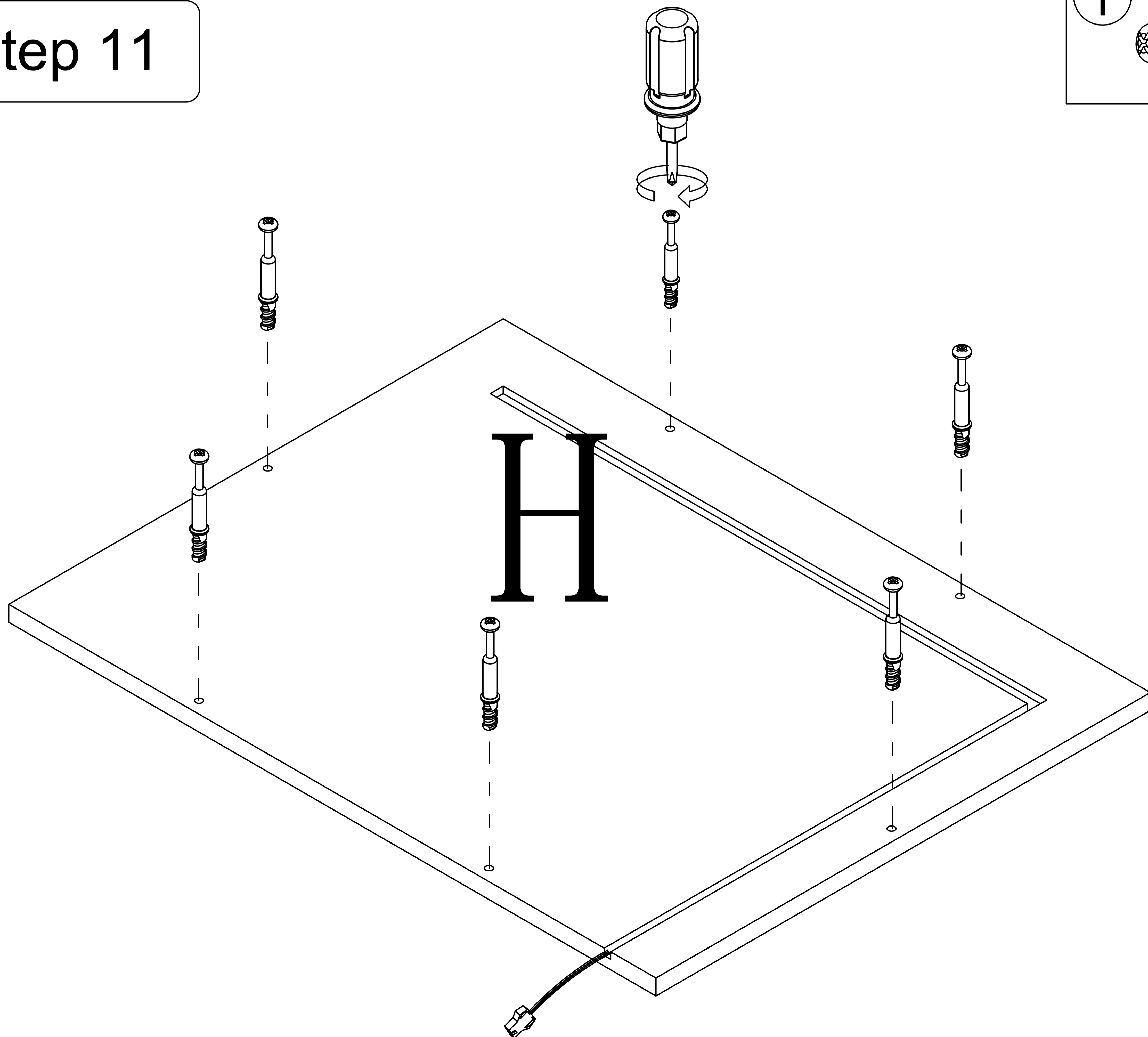
All holes facing downward.

Step 11

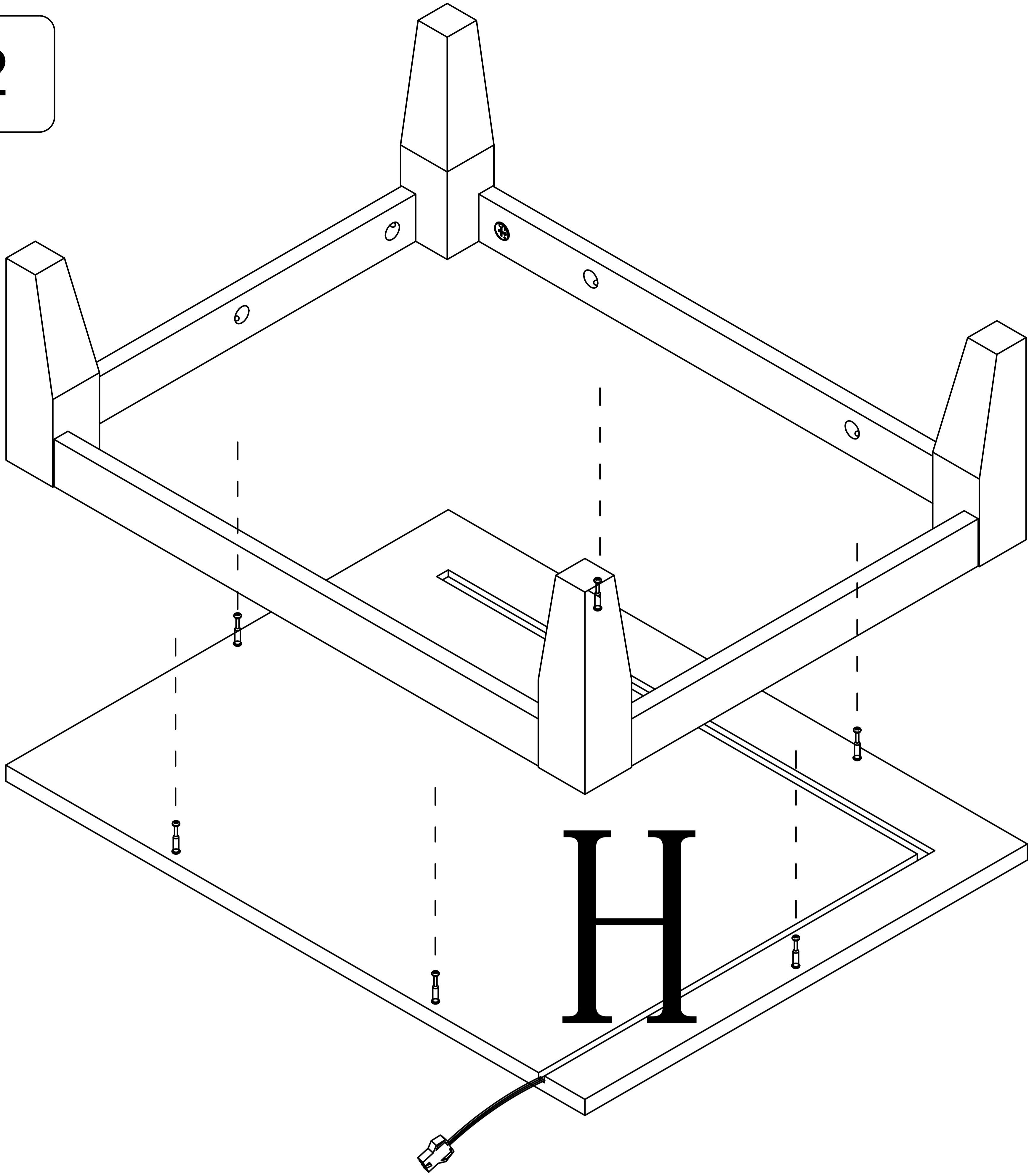
1



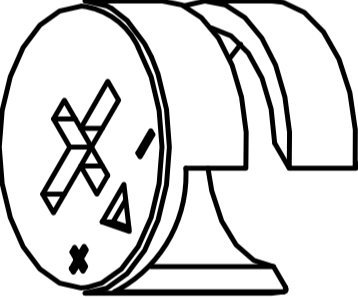
x6

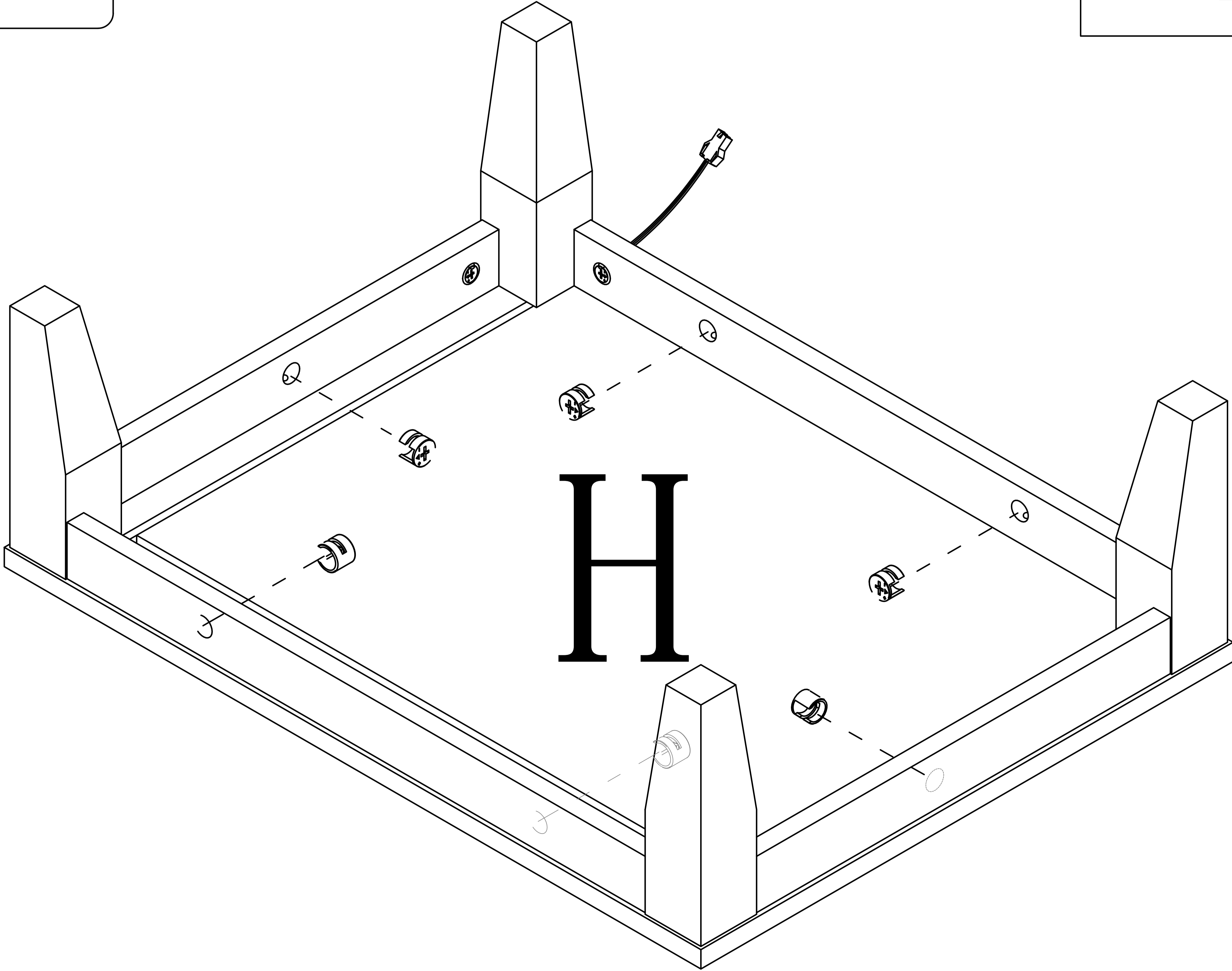


Step 12

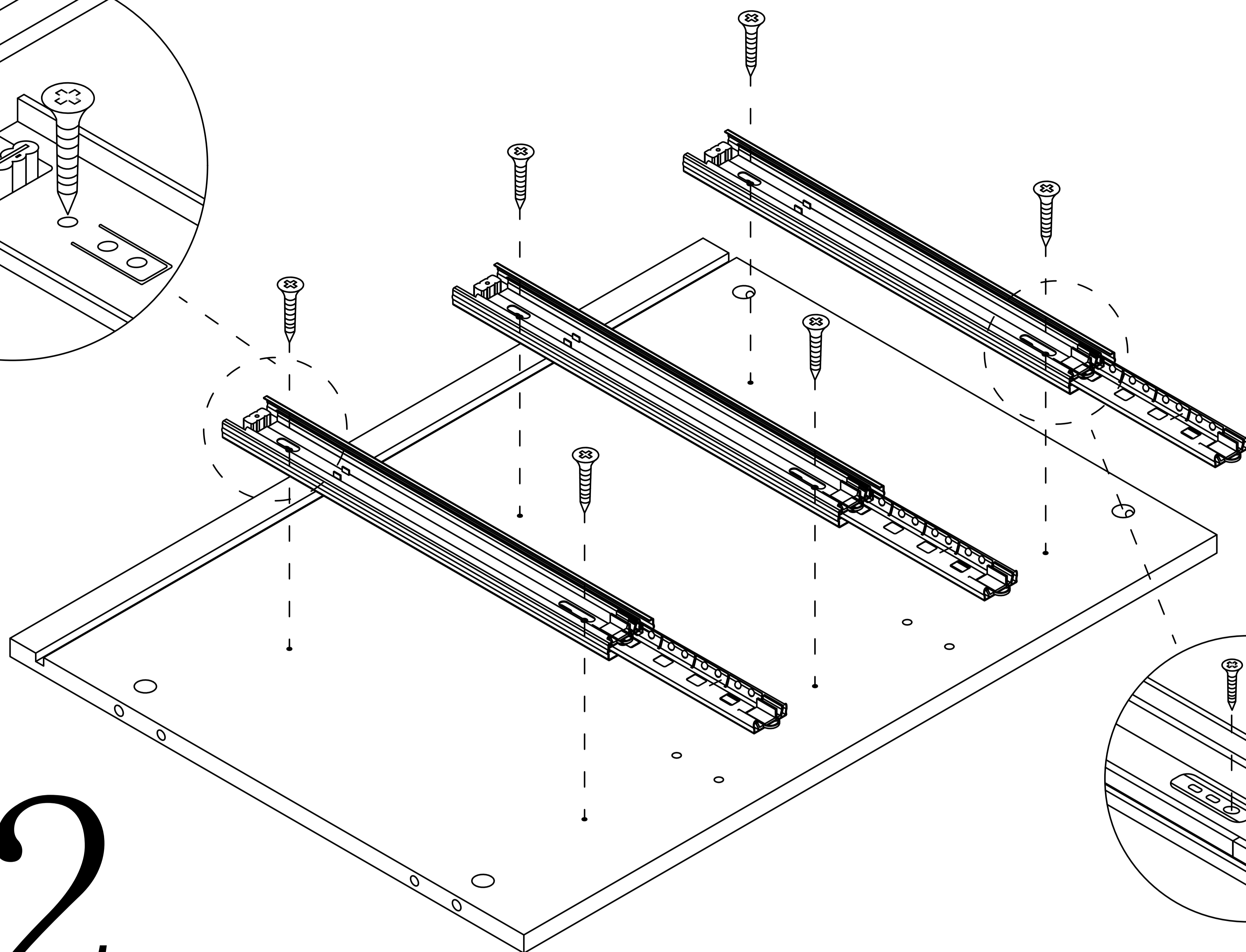
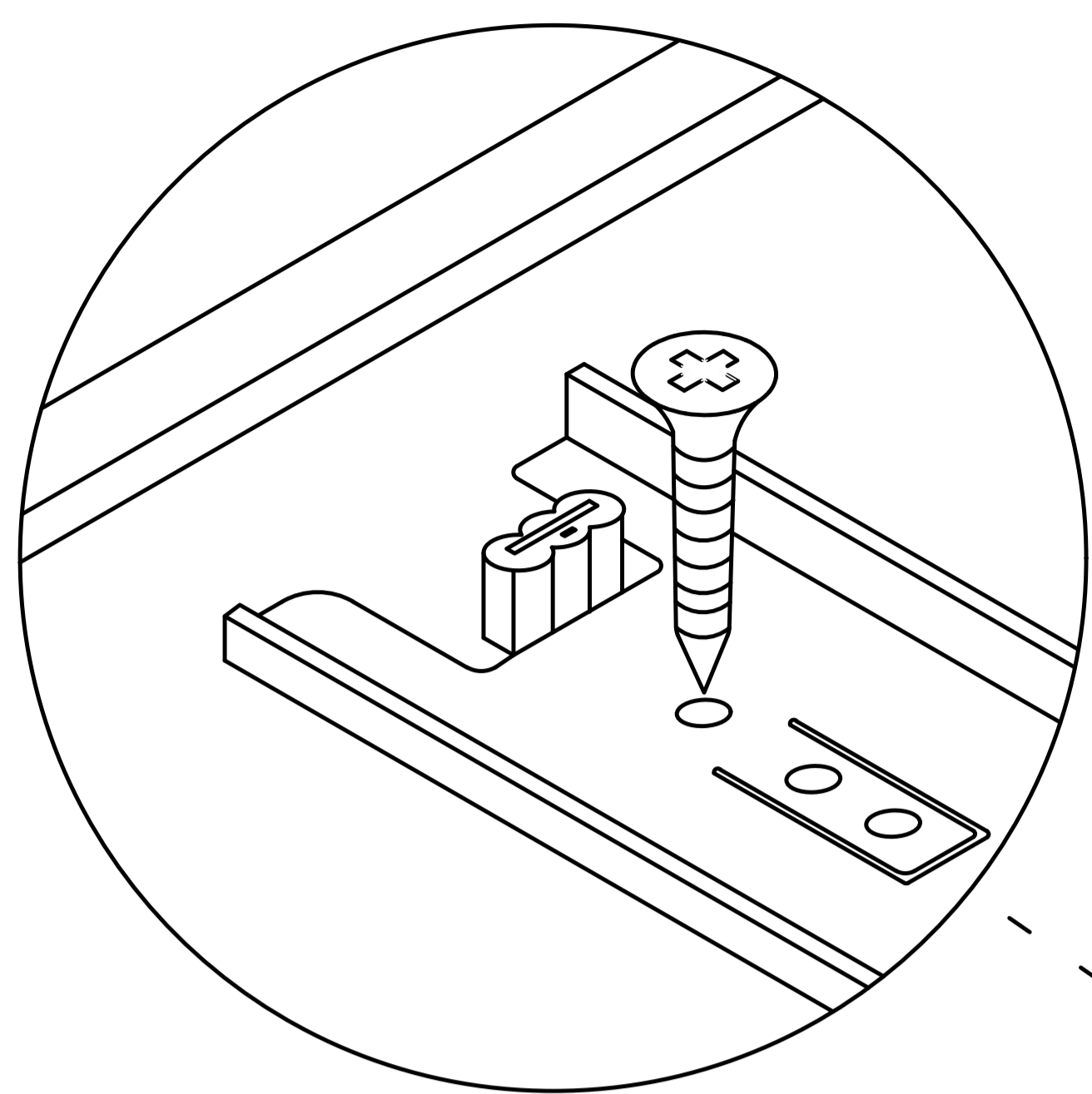
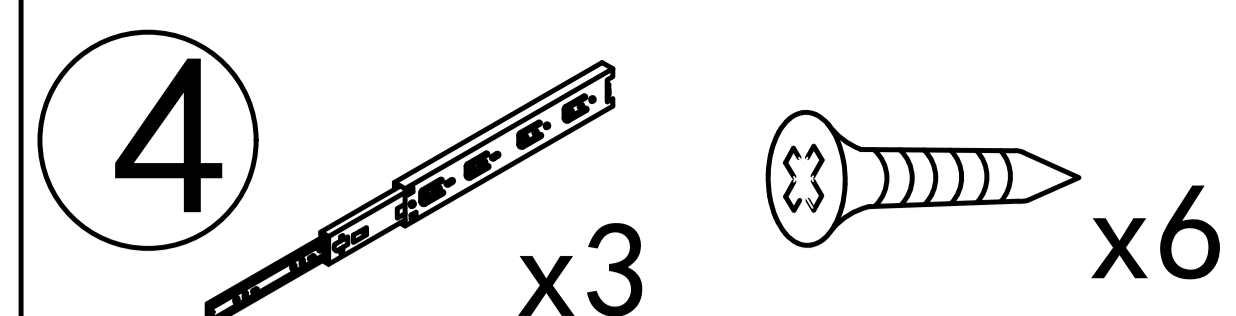
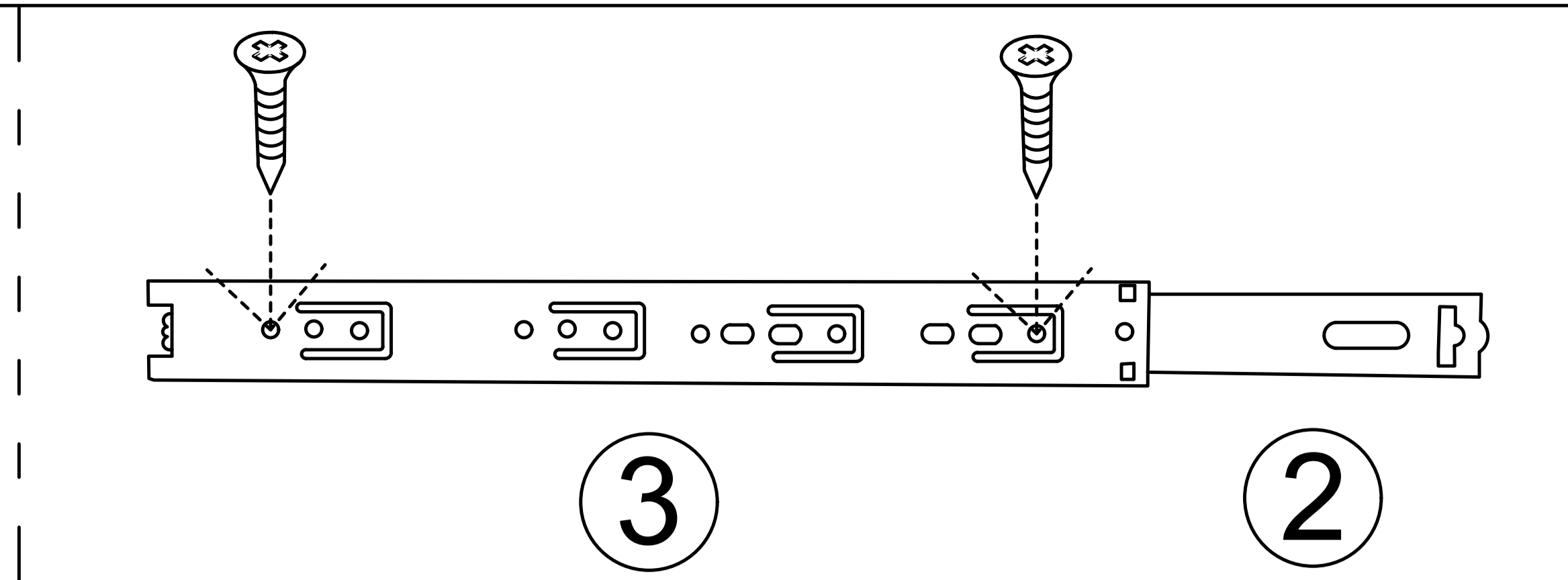


Step 13

2  x6

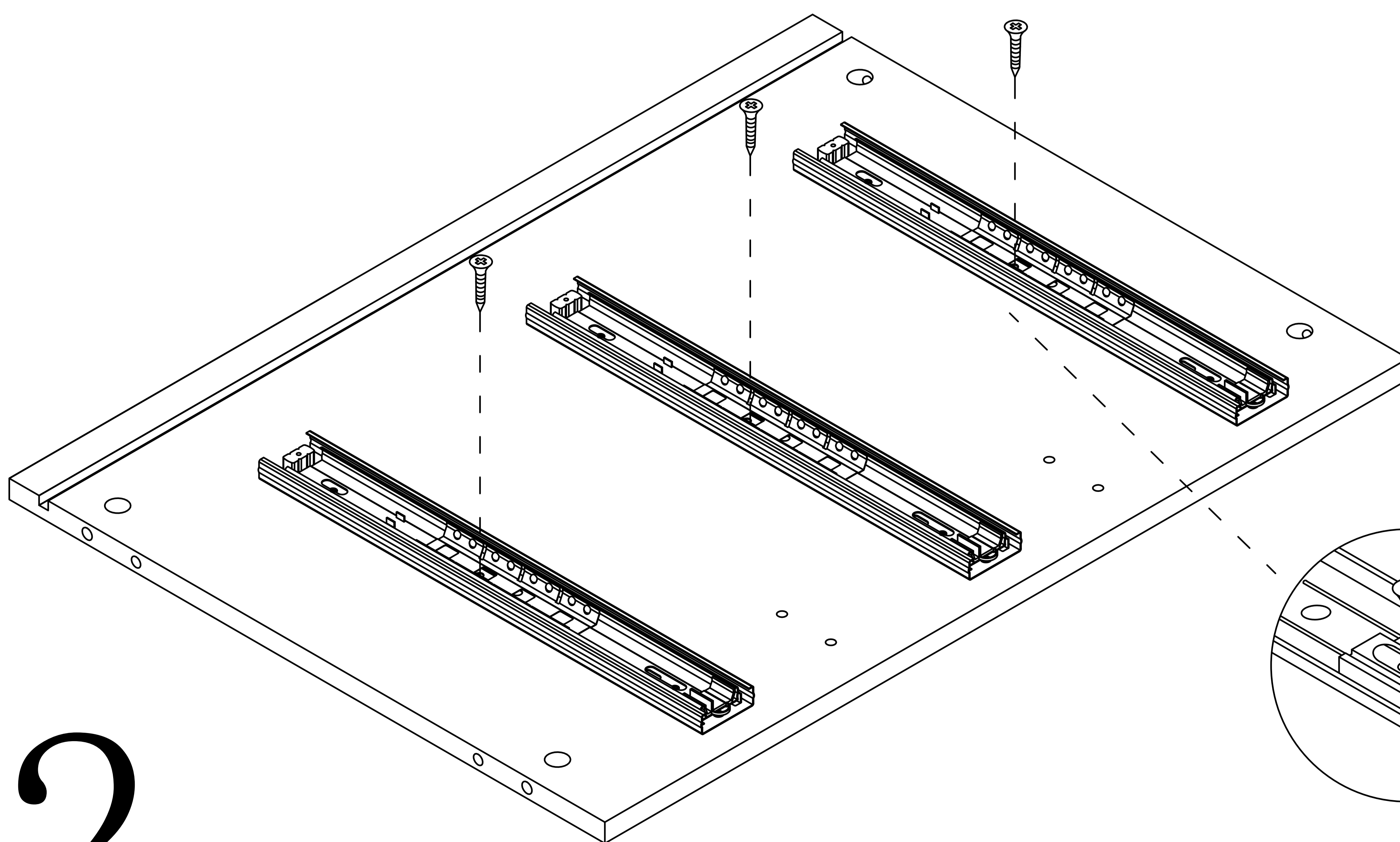
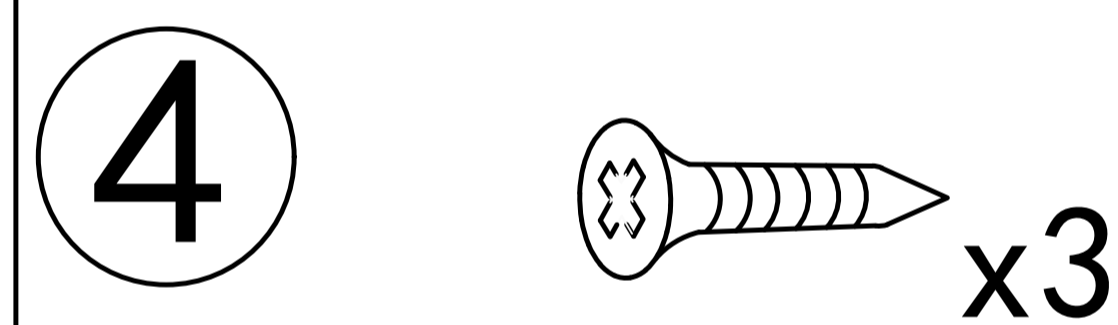
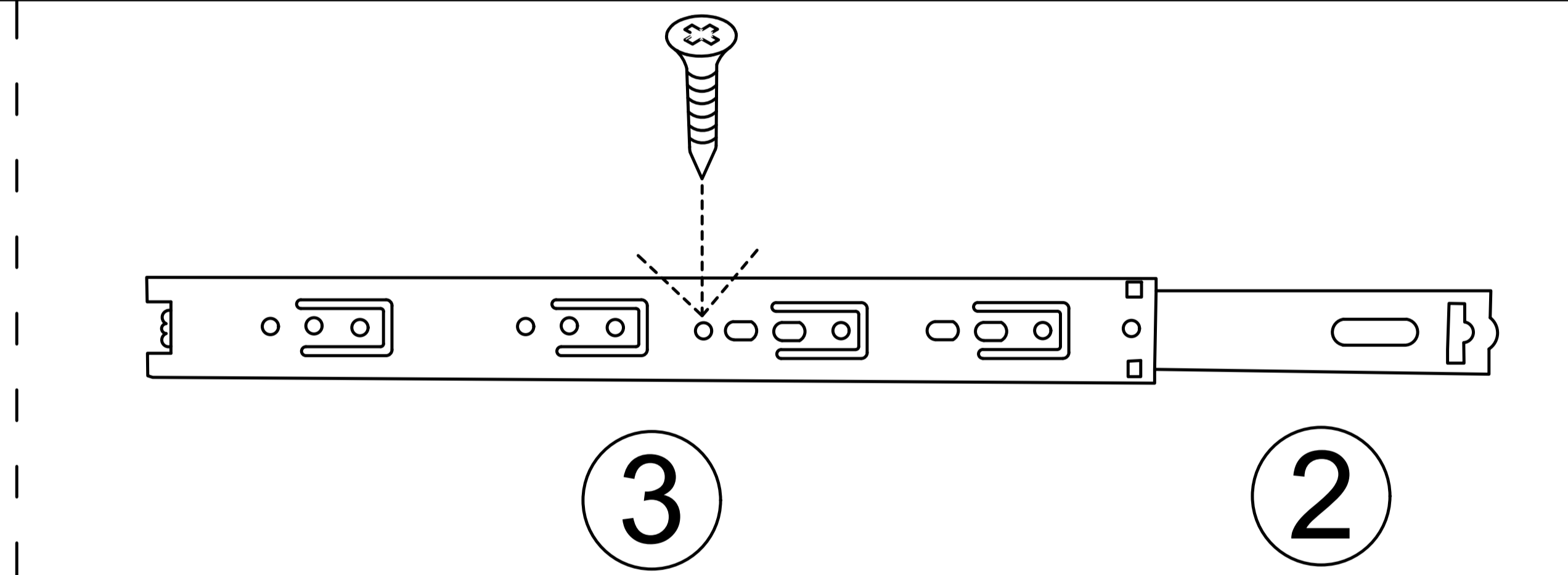


Step 14



I2

Step 15

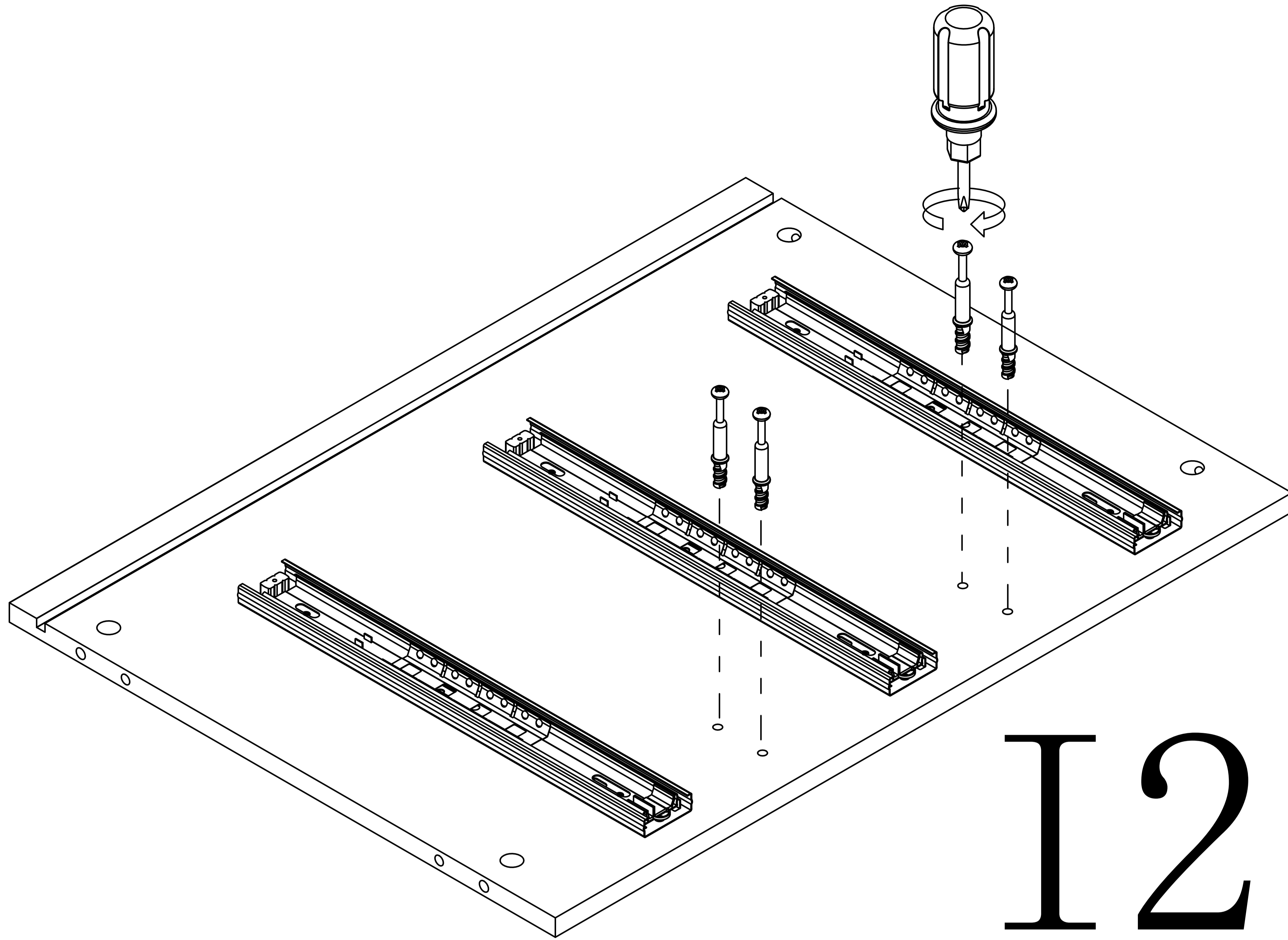
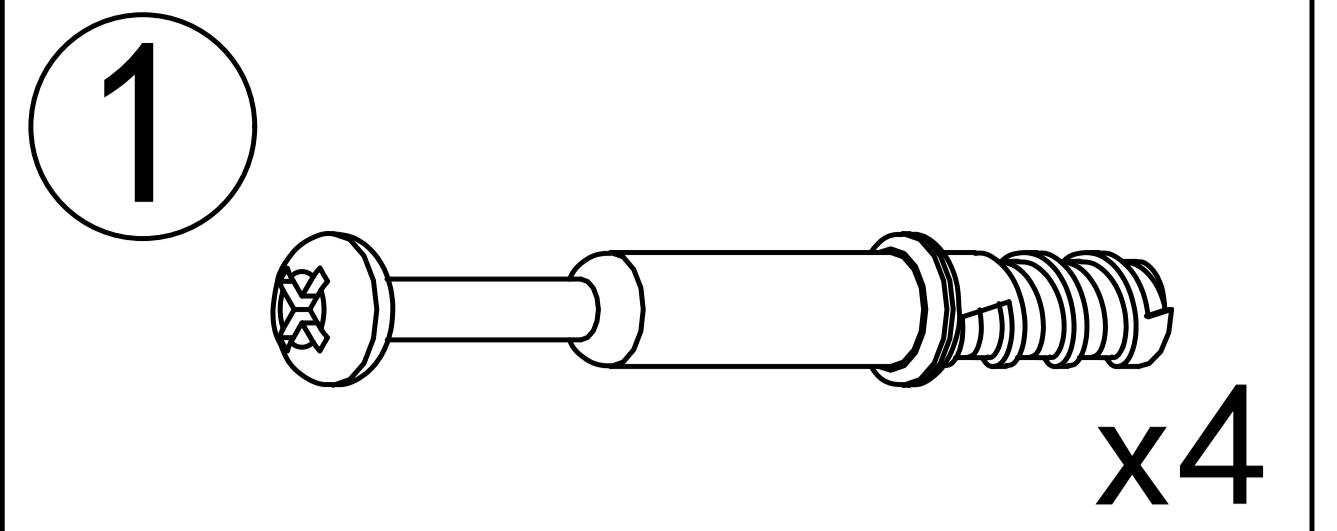


I2

This hole is for strengthening fixed hole customers can choose to install according to their needs.

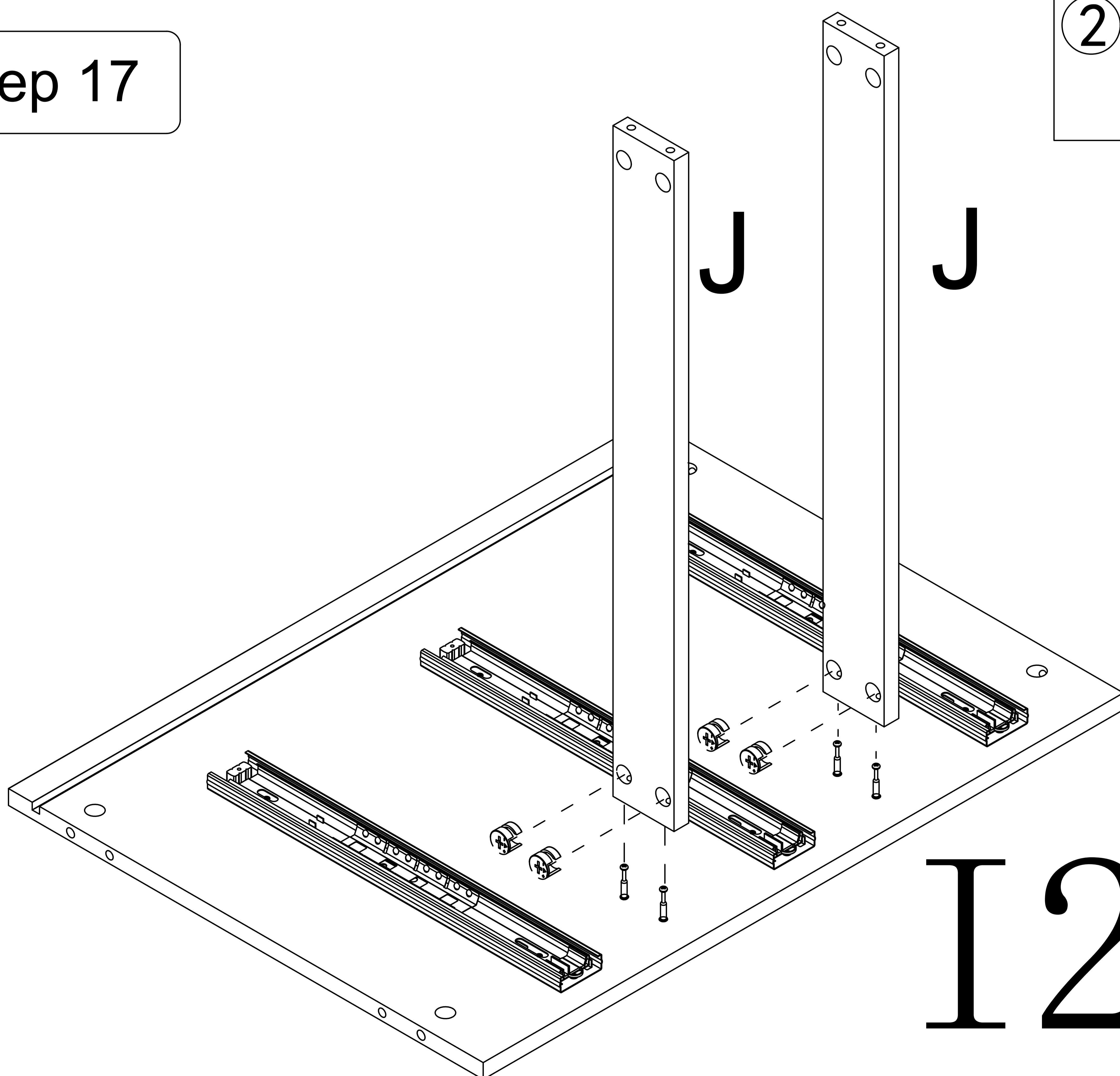
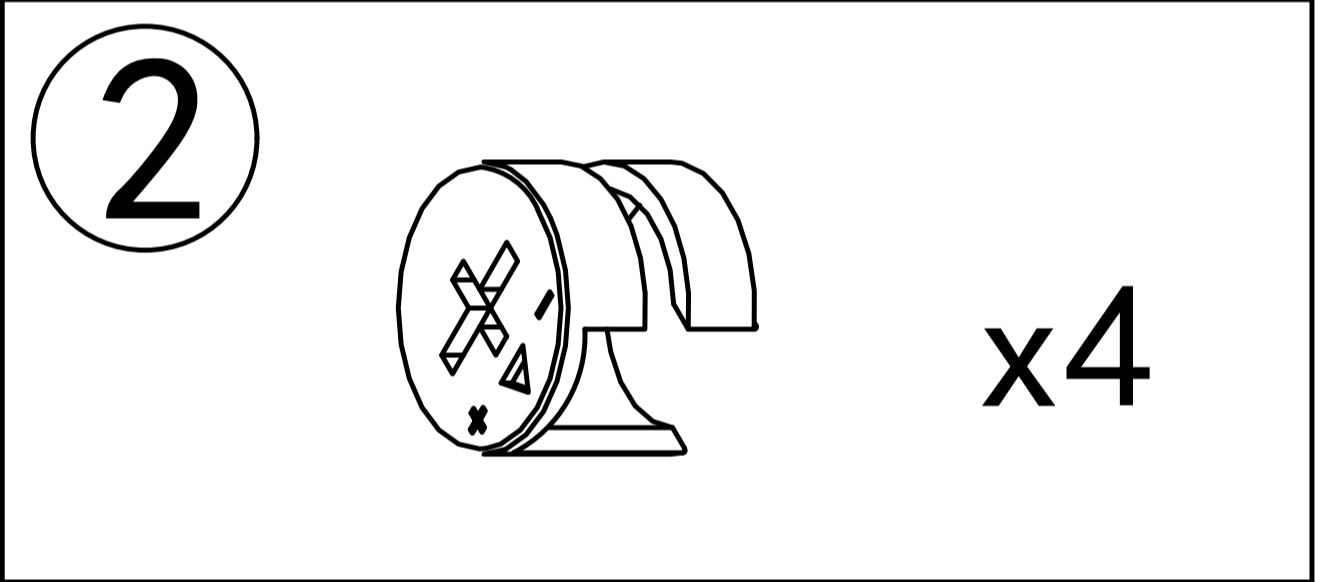
13

Step 16



12

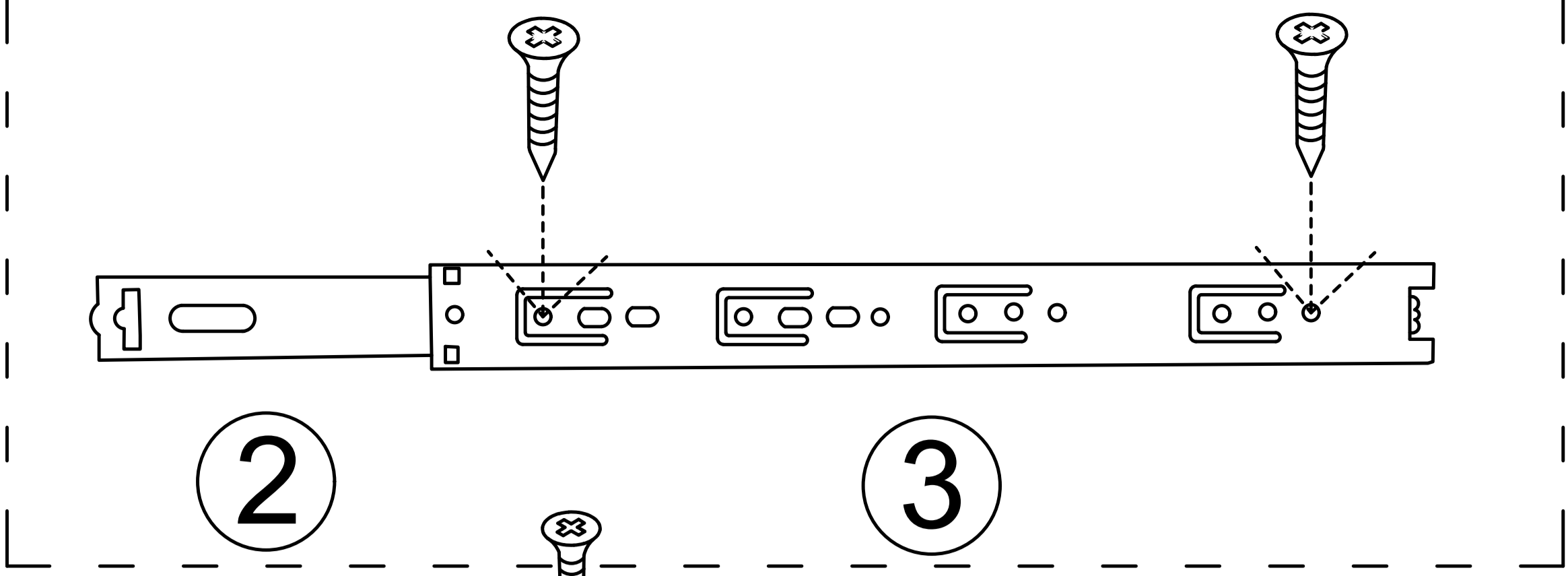
Step 17



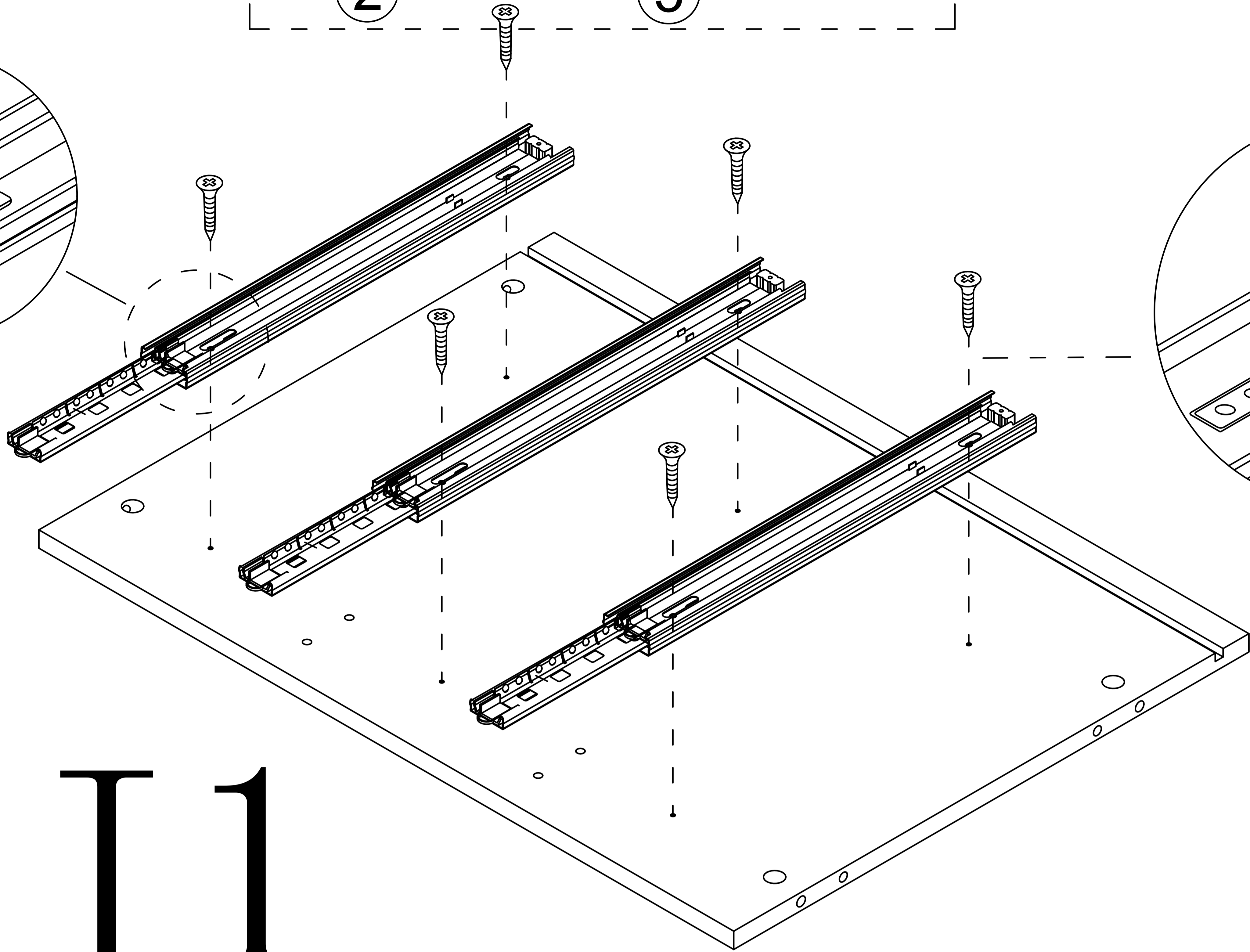
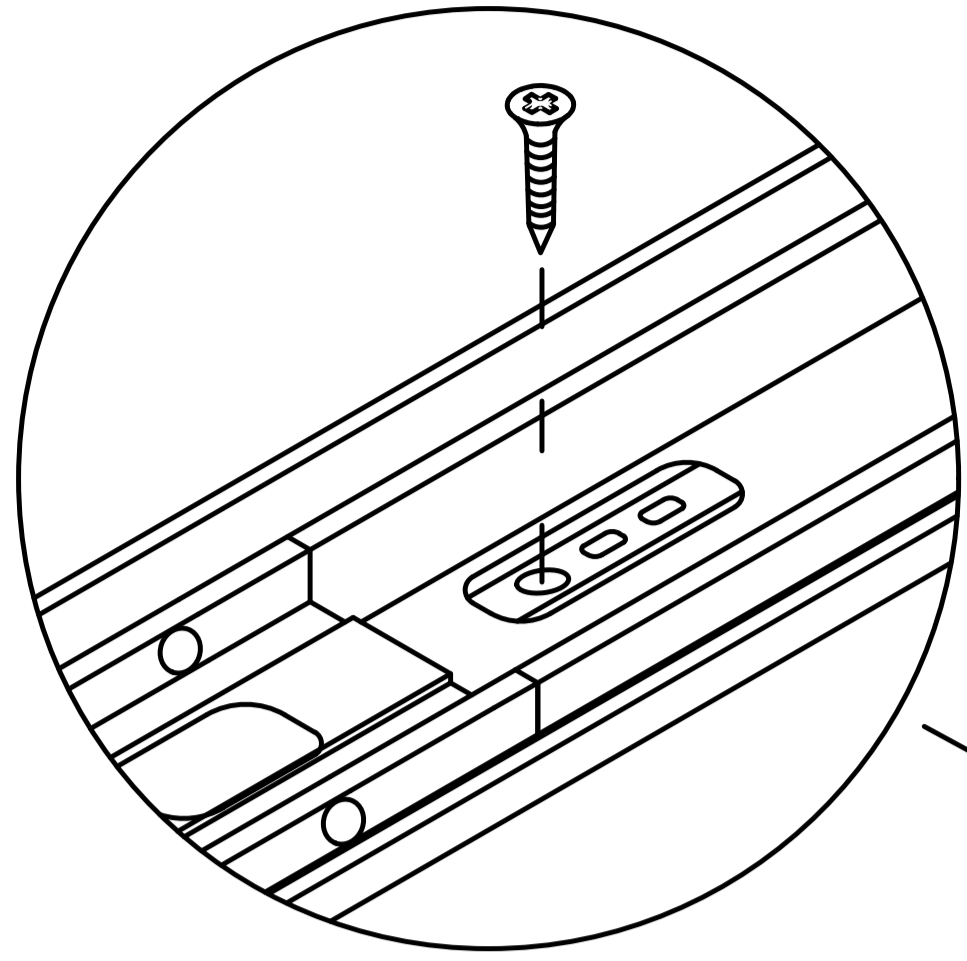
12

14

Step 18

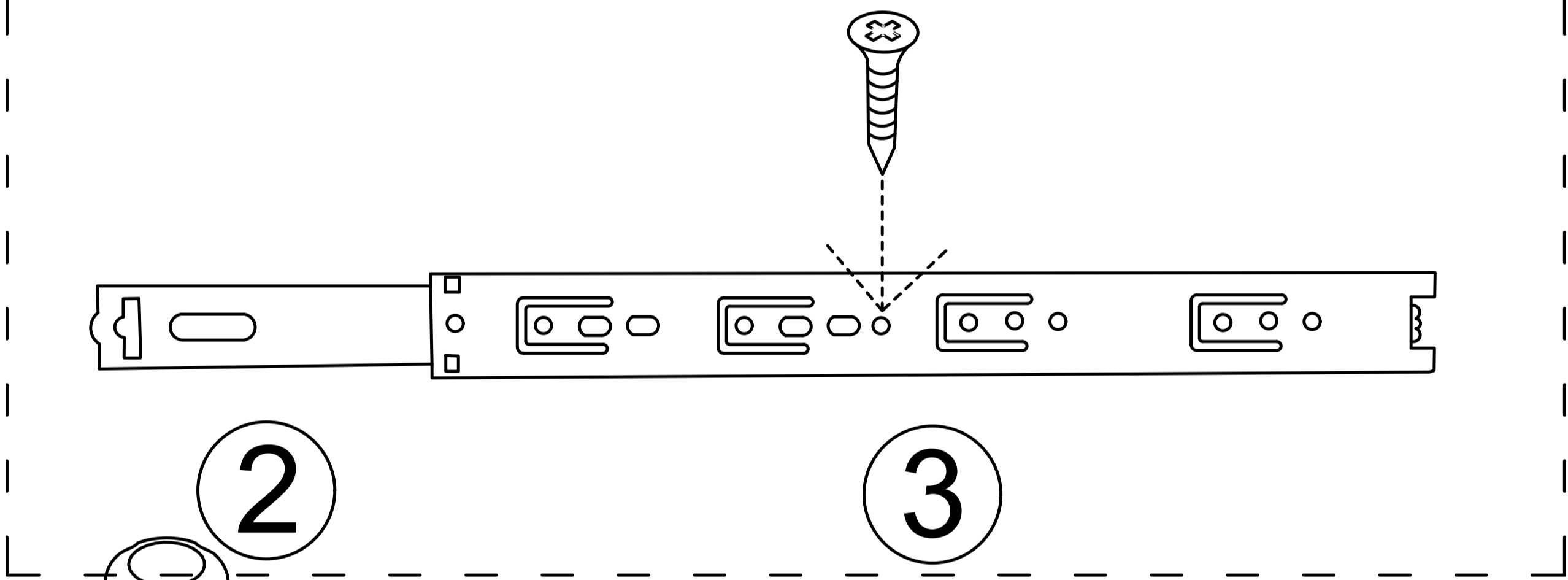


- 4 x3
- x6



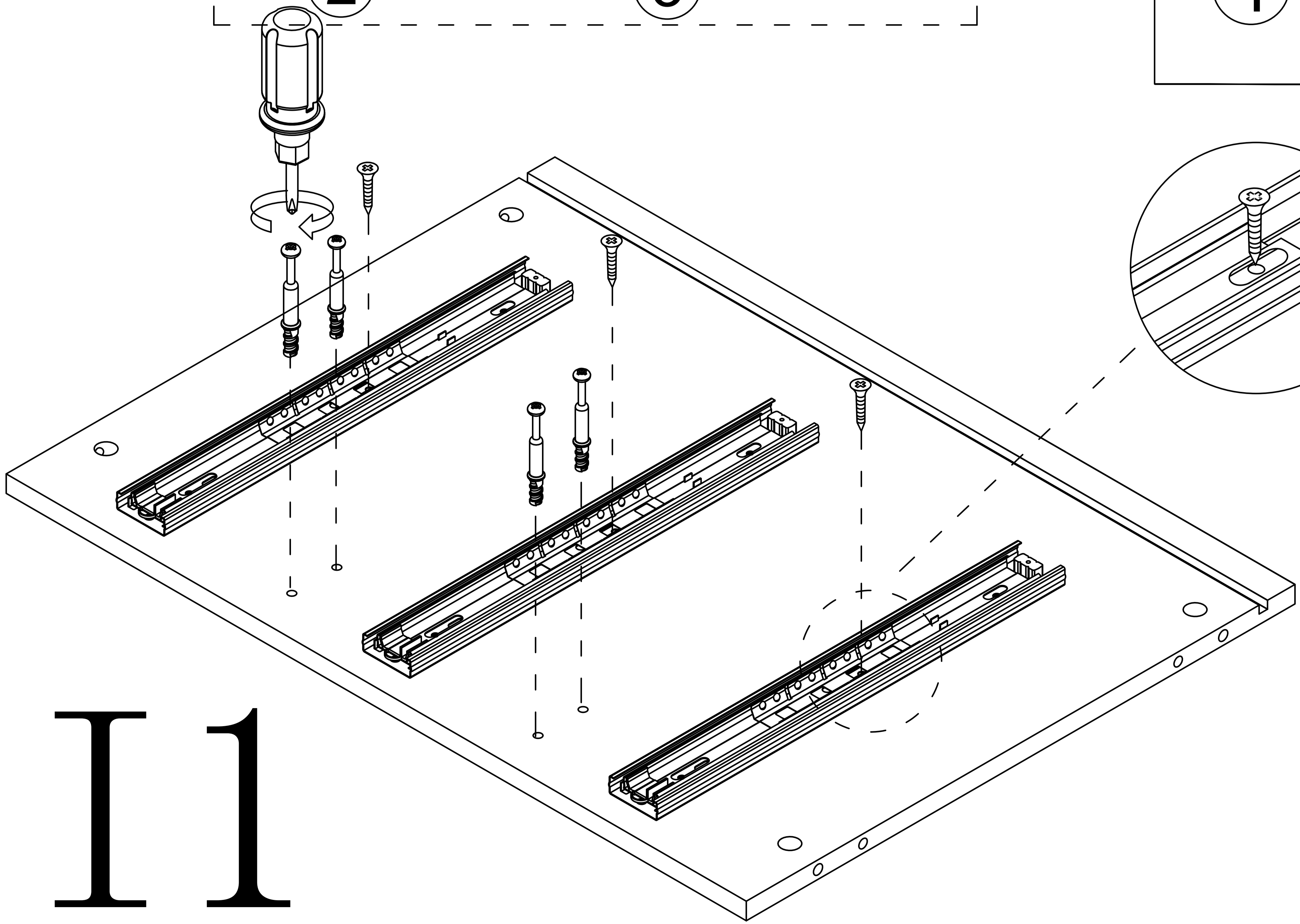
I 1

Step 19



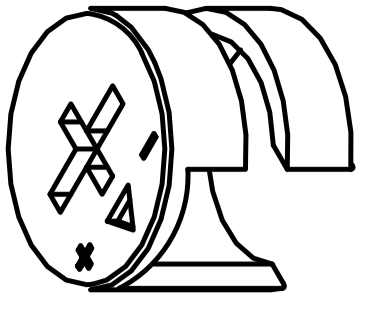
- 1 x4

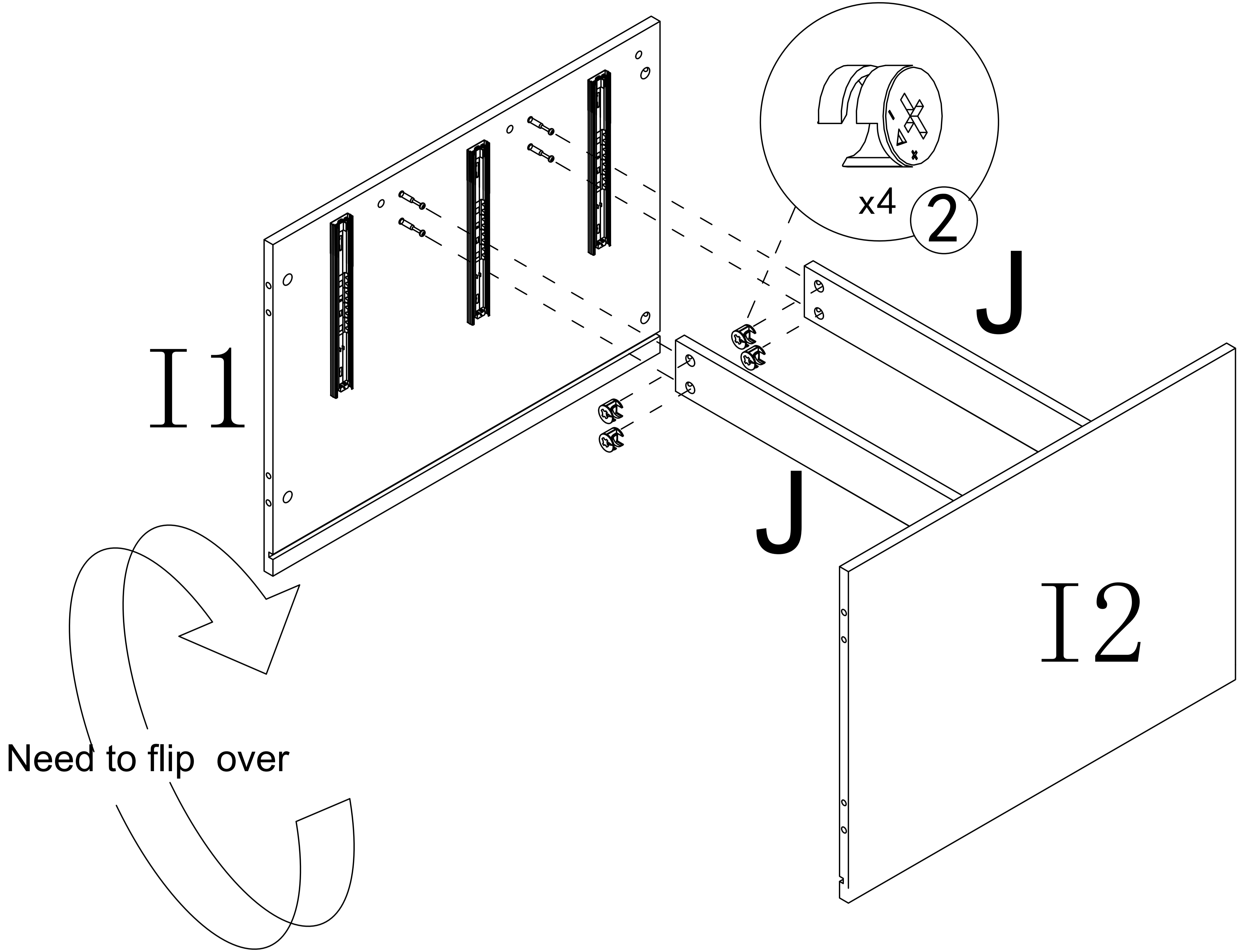
- 4 x3



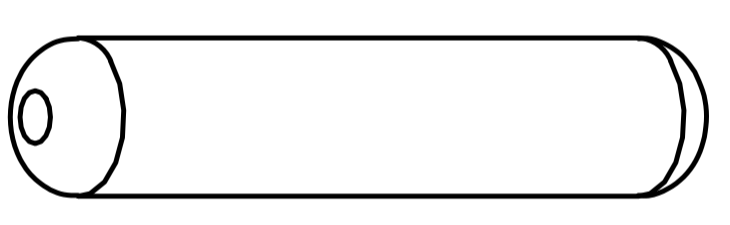
I 1

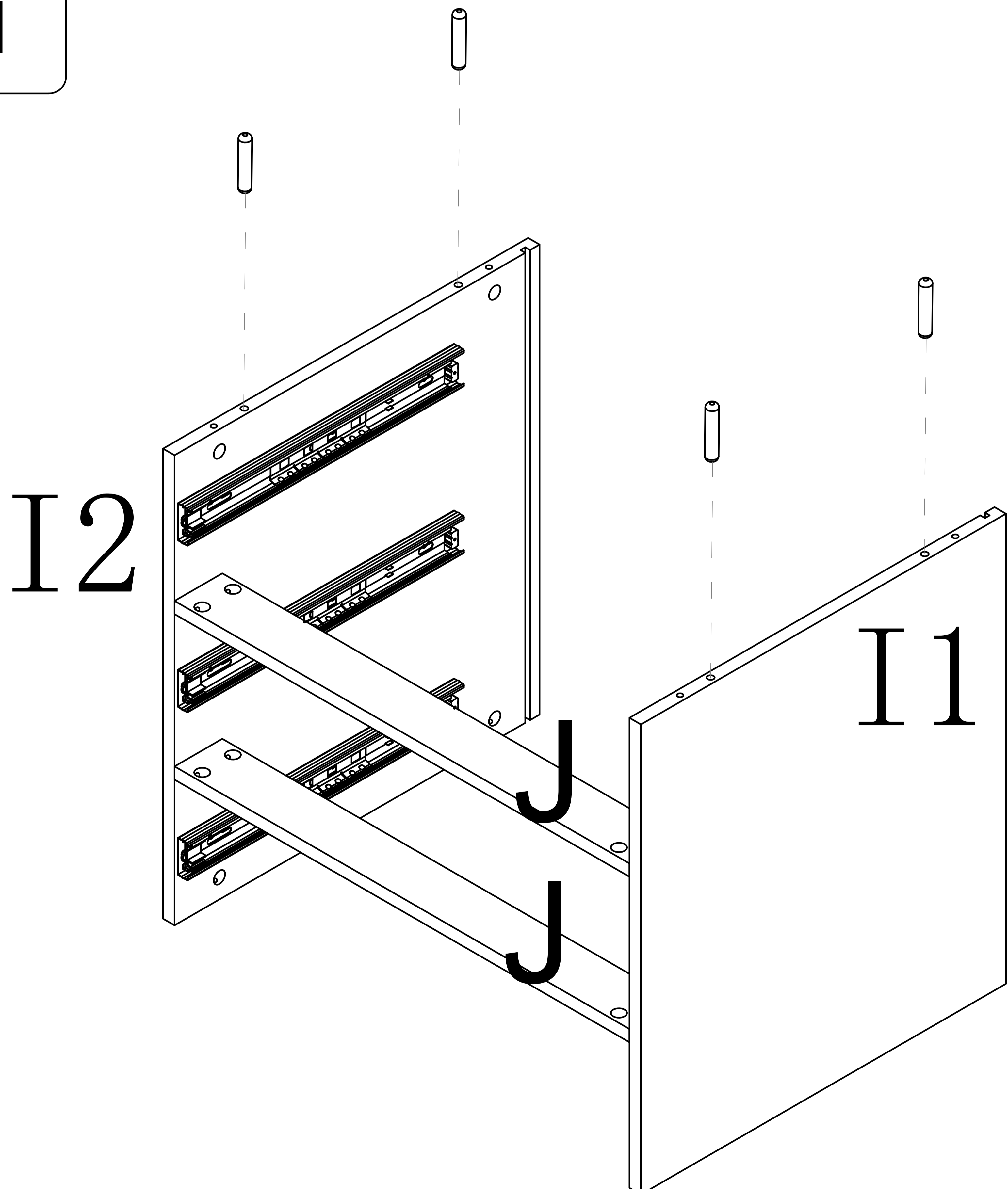
Step 20

2  x4

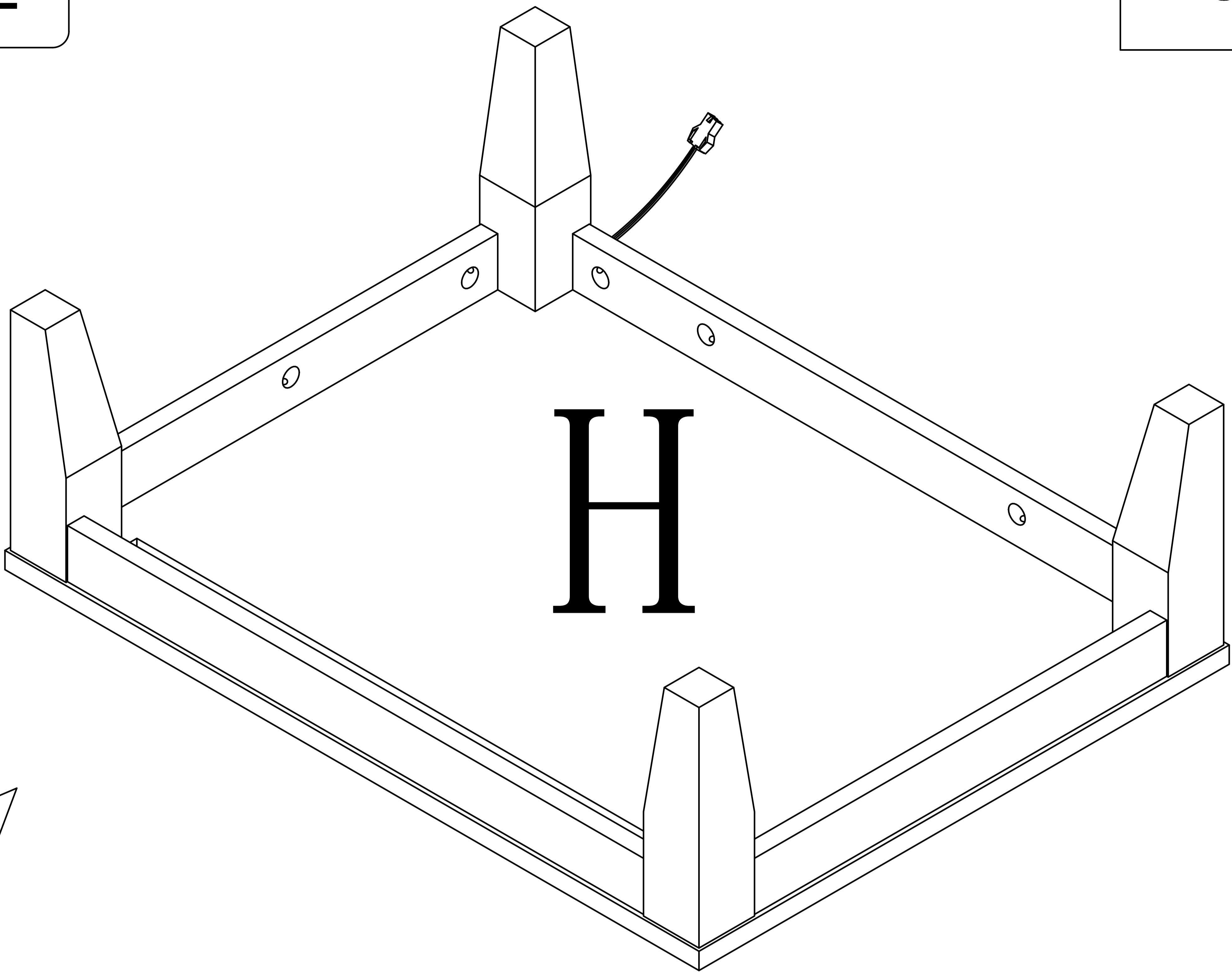
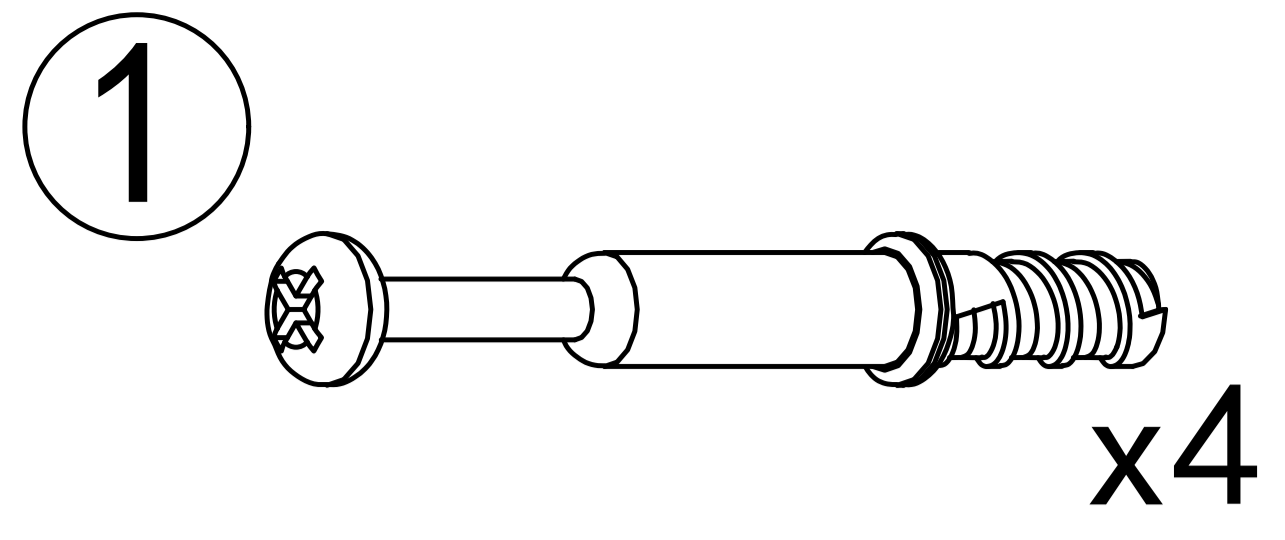


Step 21

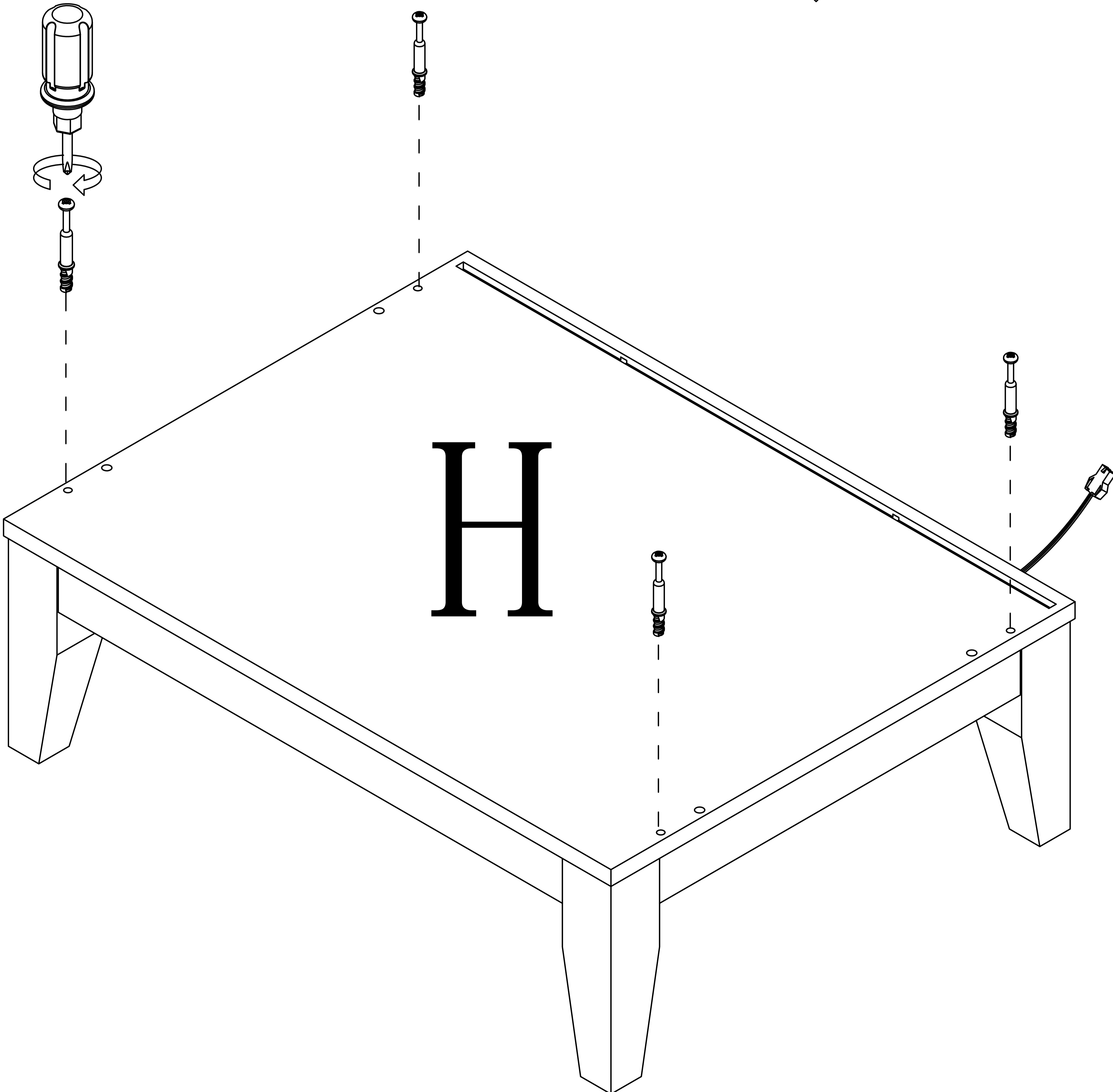
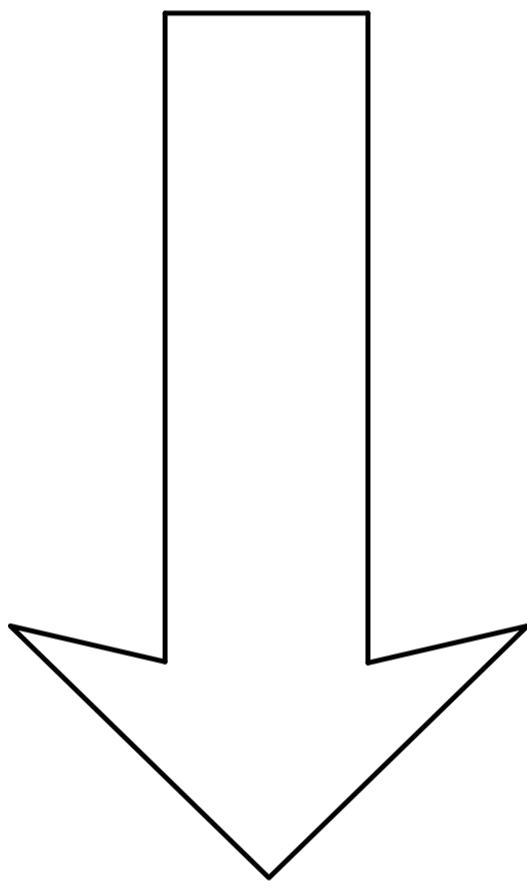
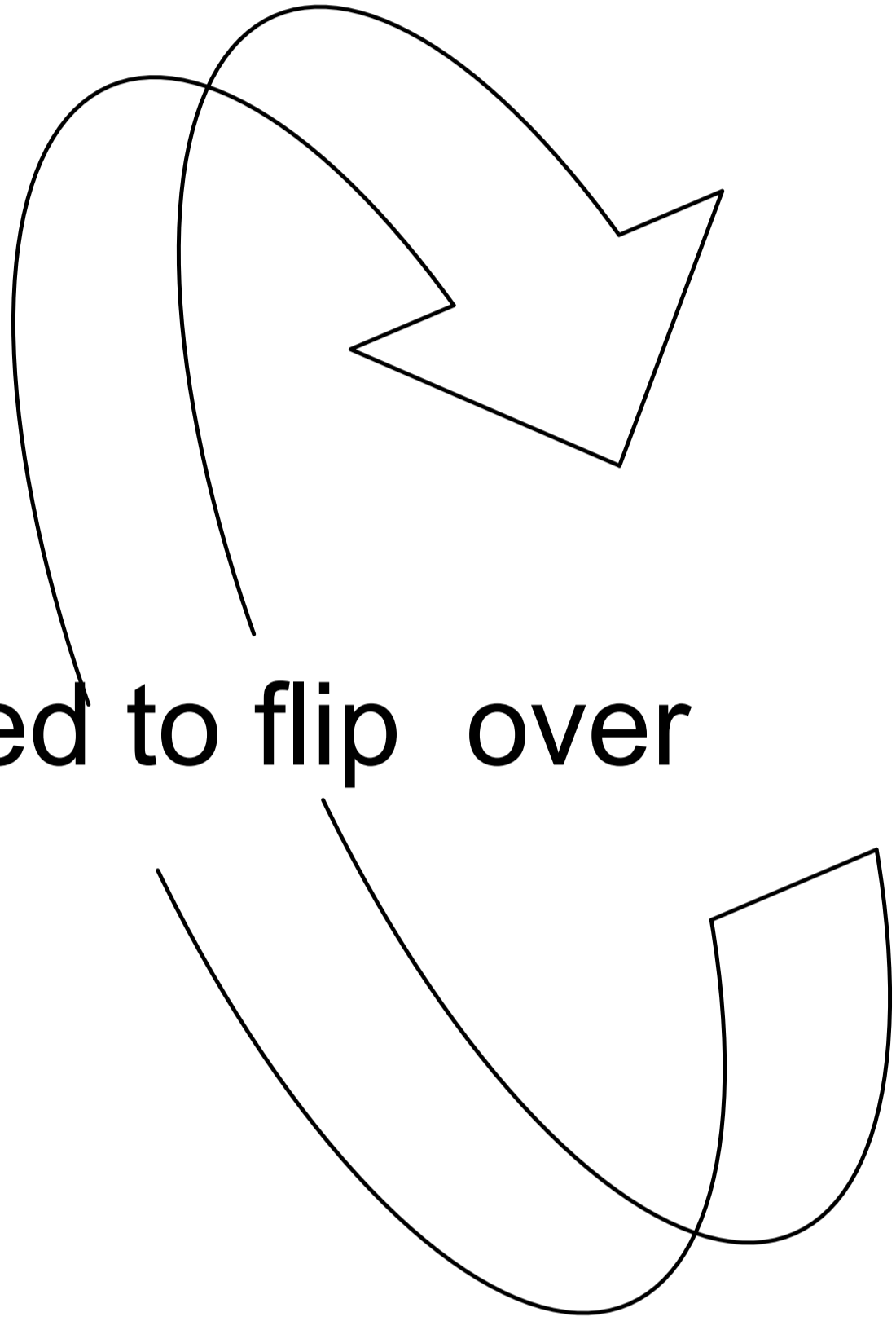
3  x4



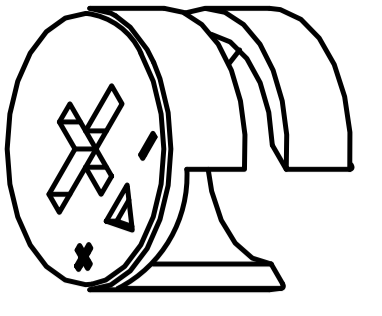
Step 22

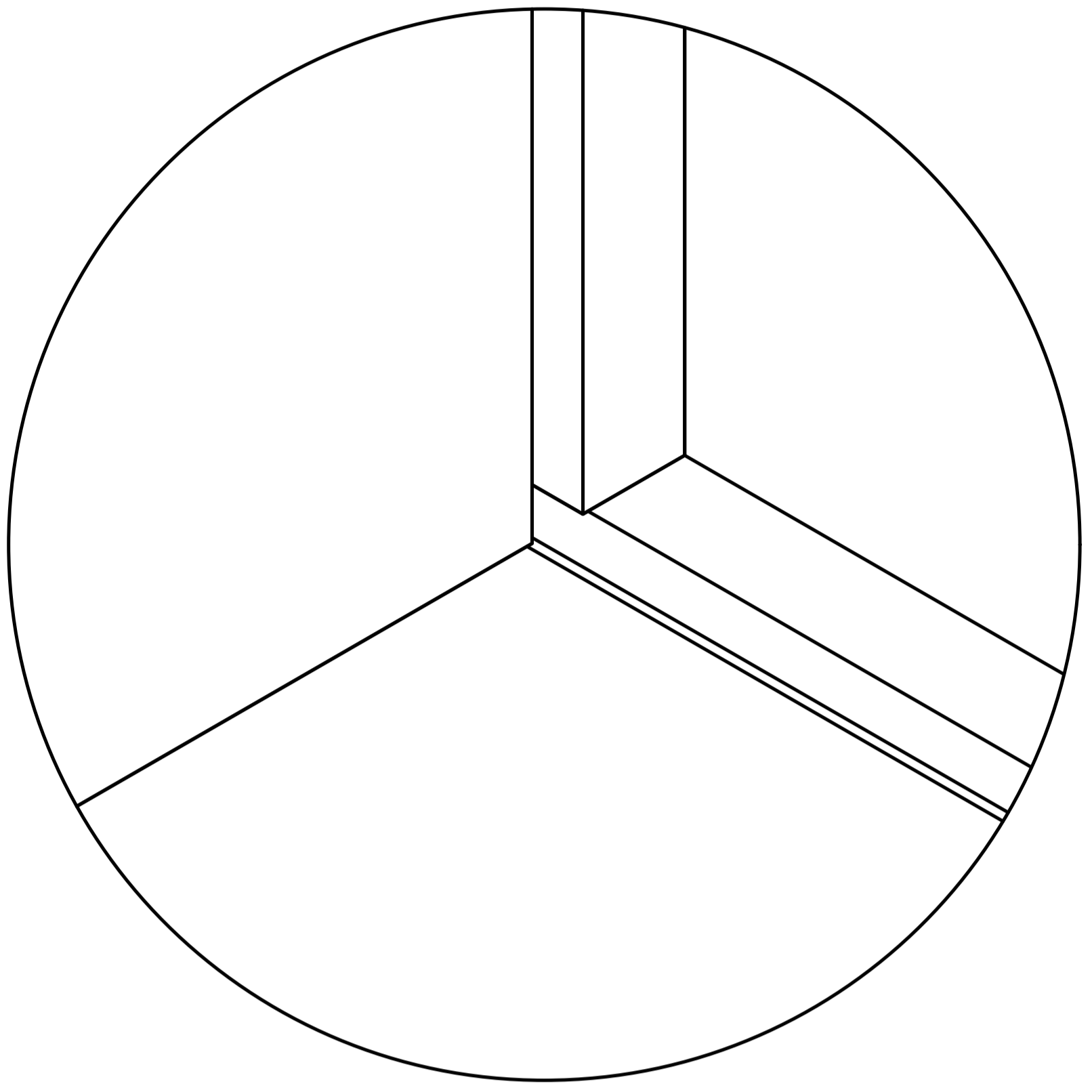
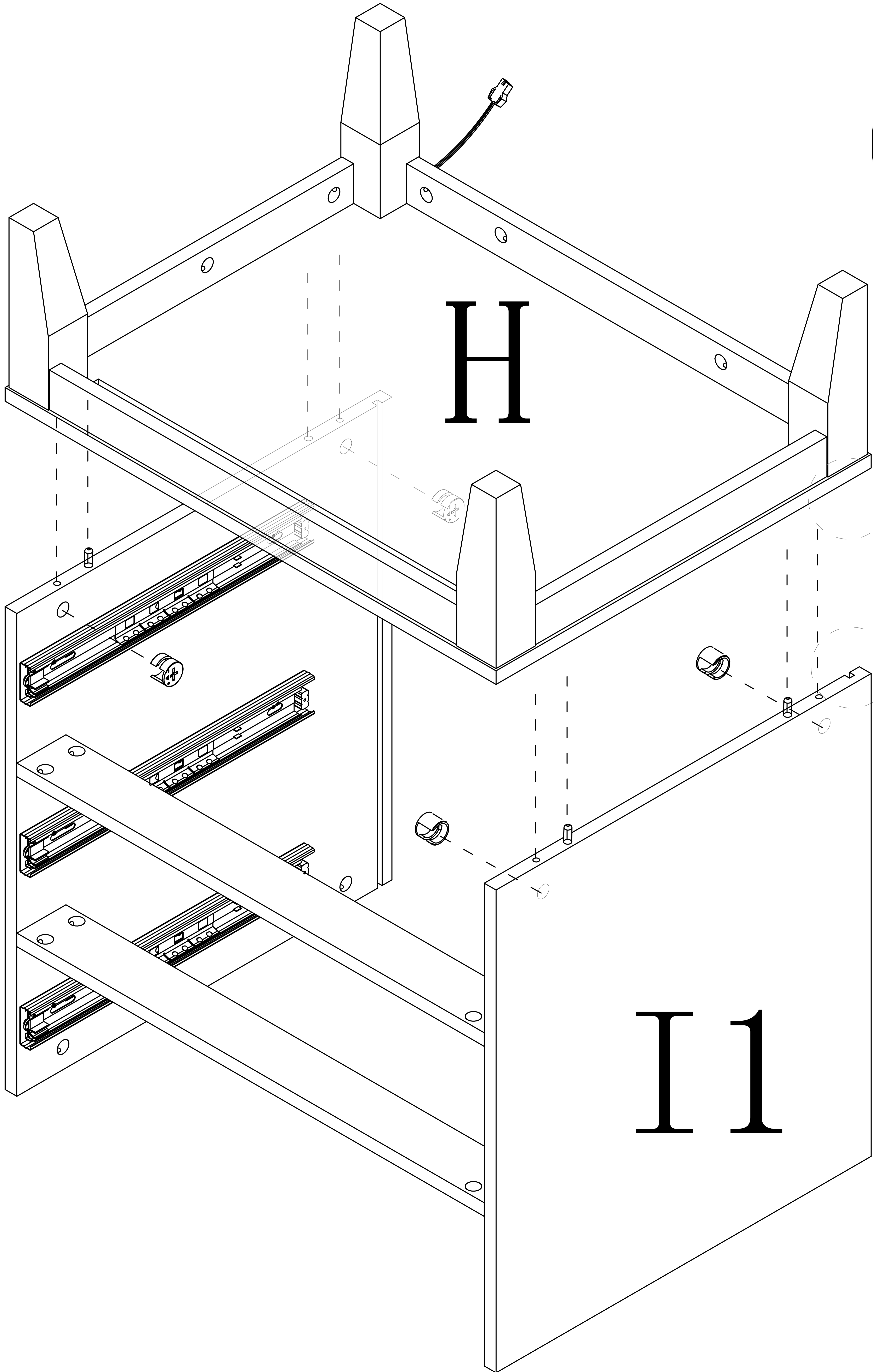


Need to flip over




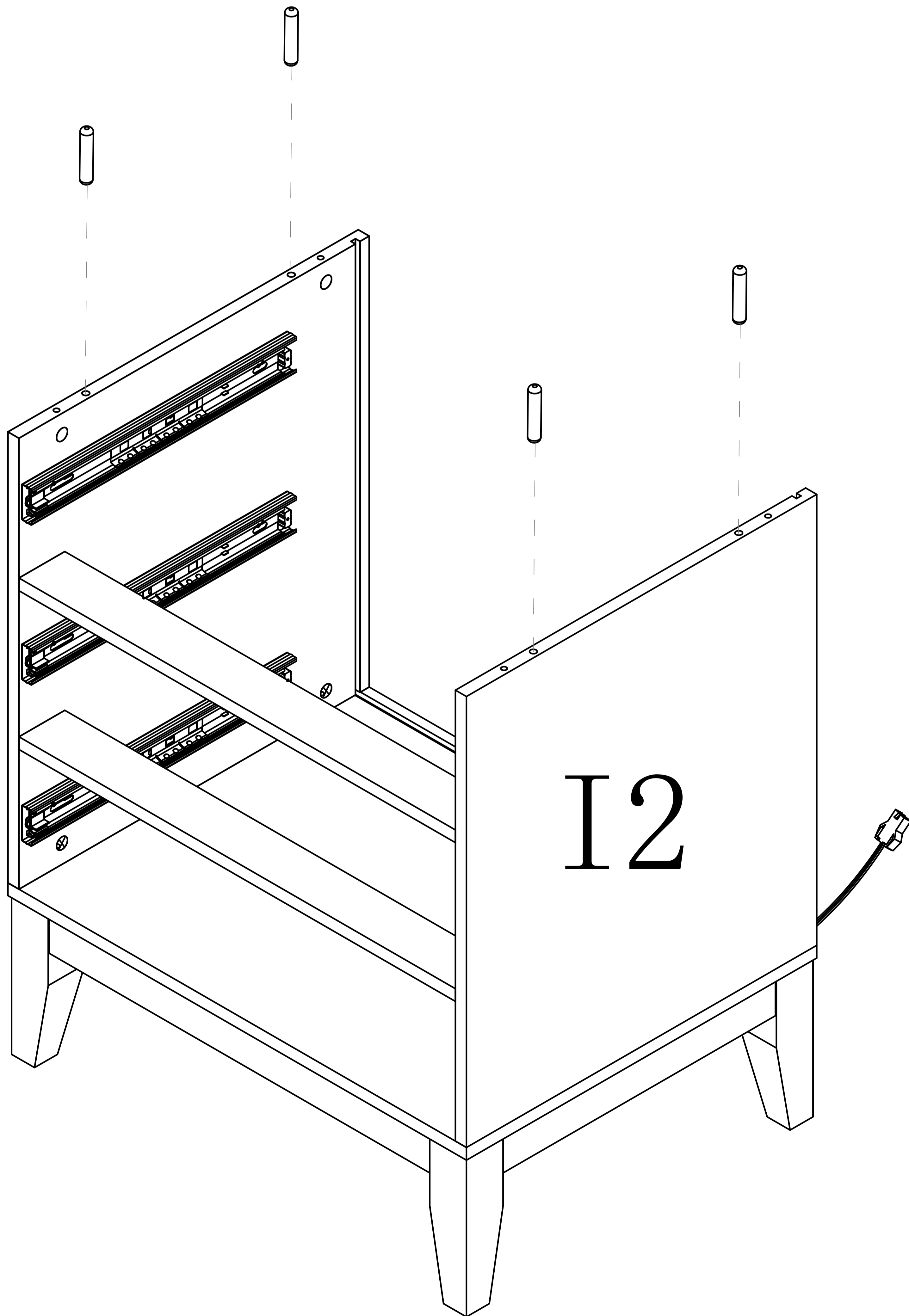
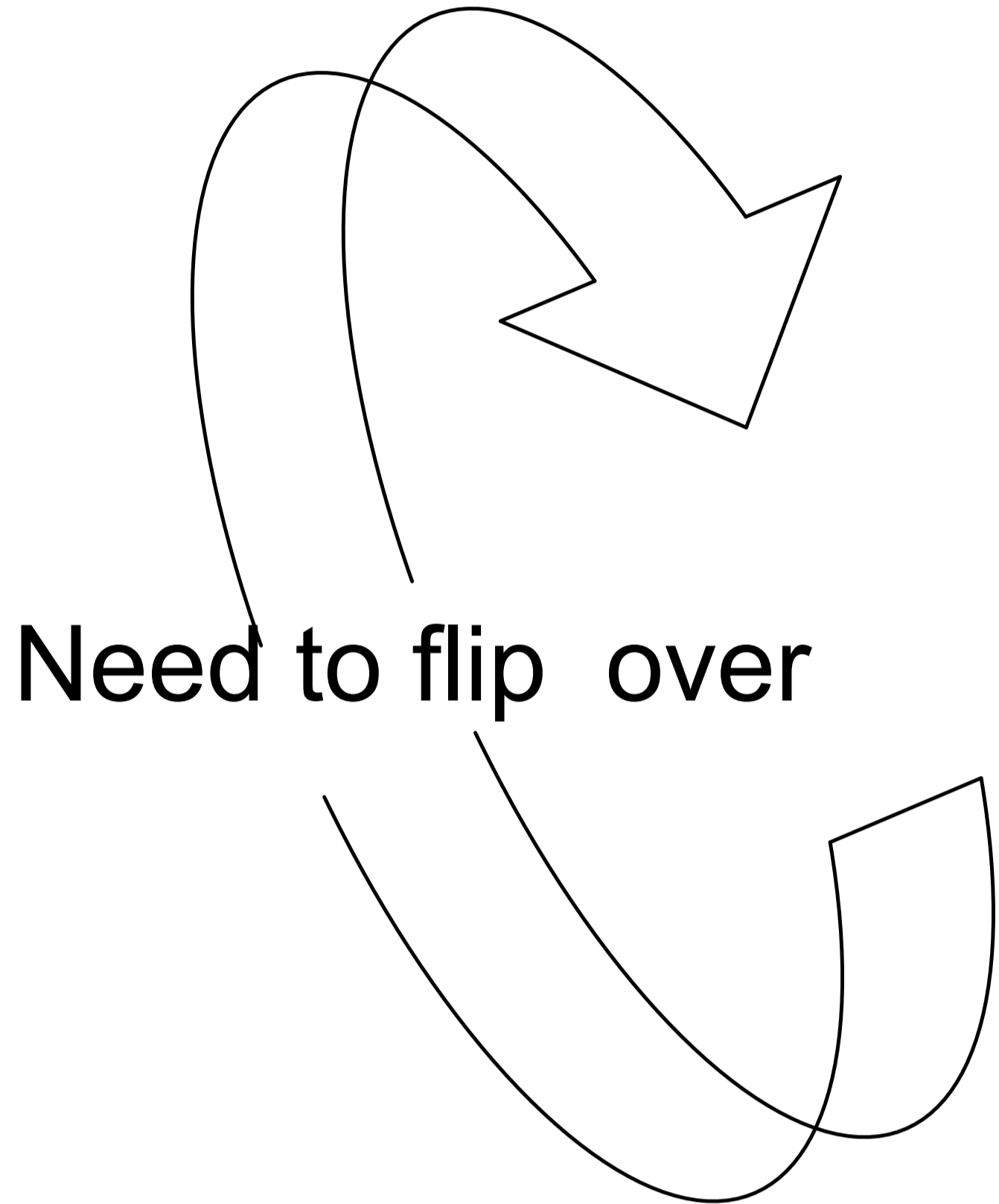
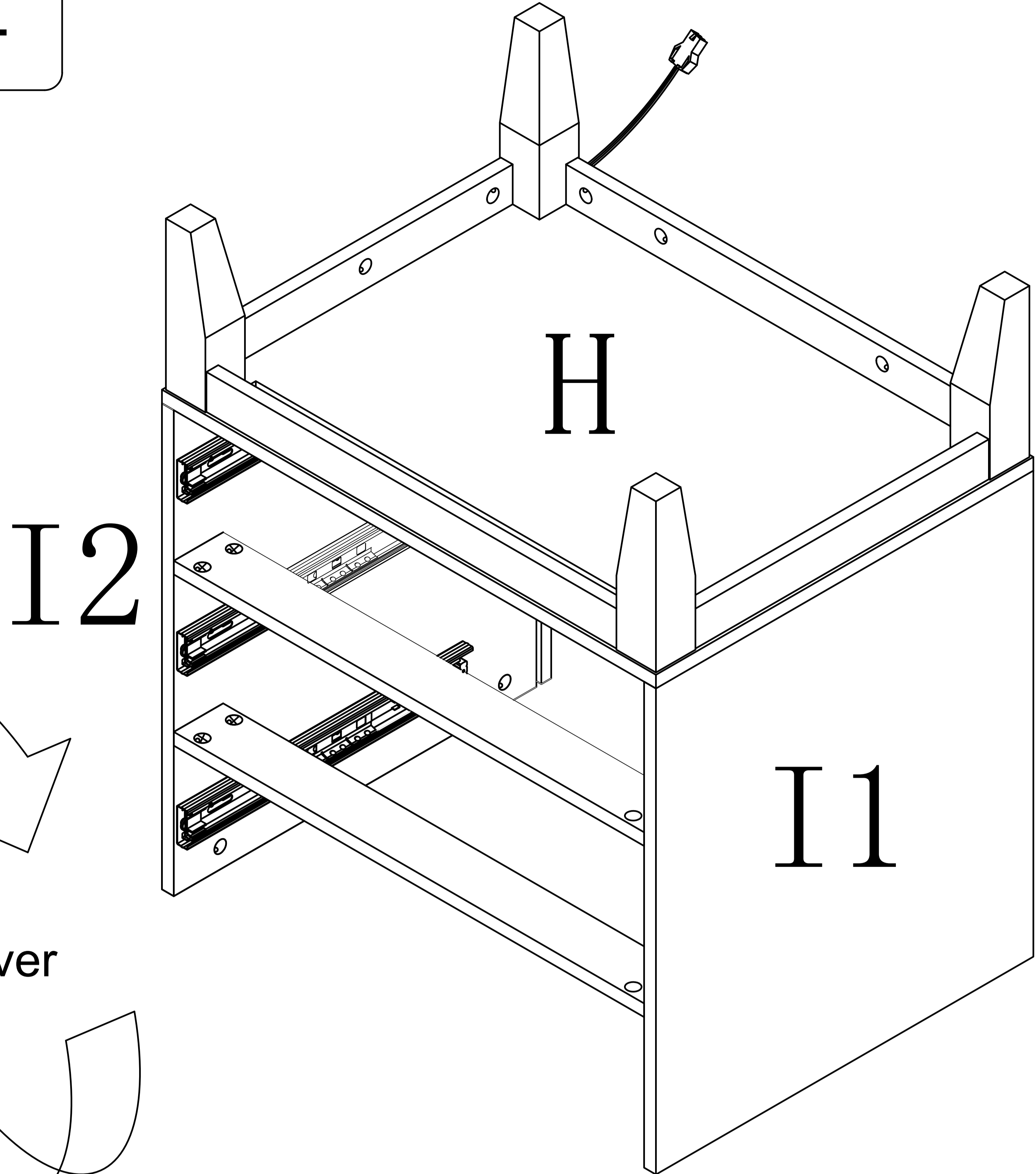
Step 23

2  x4

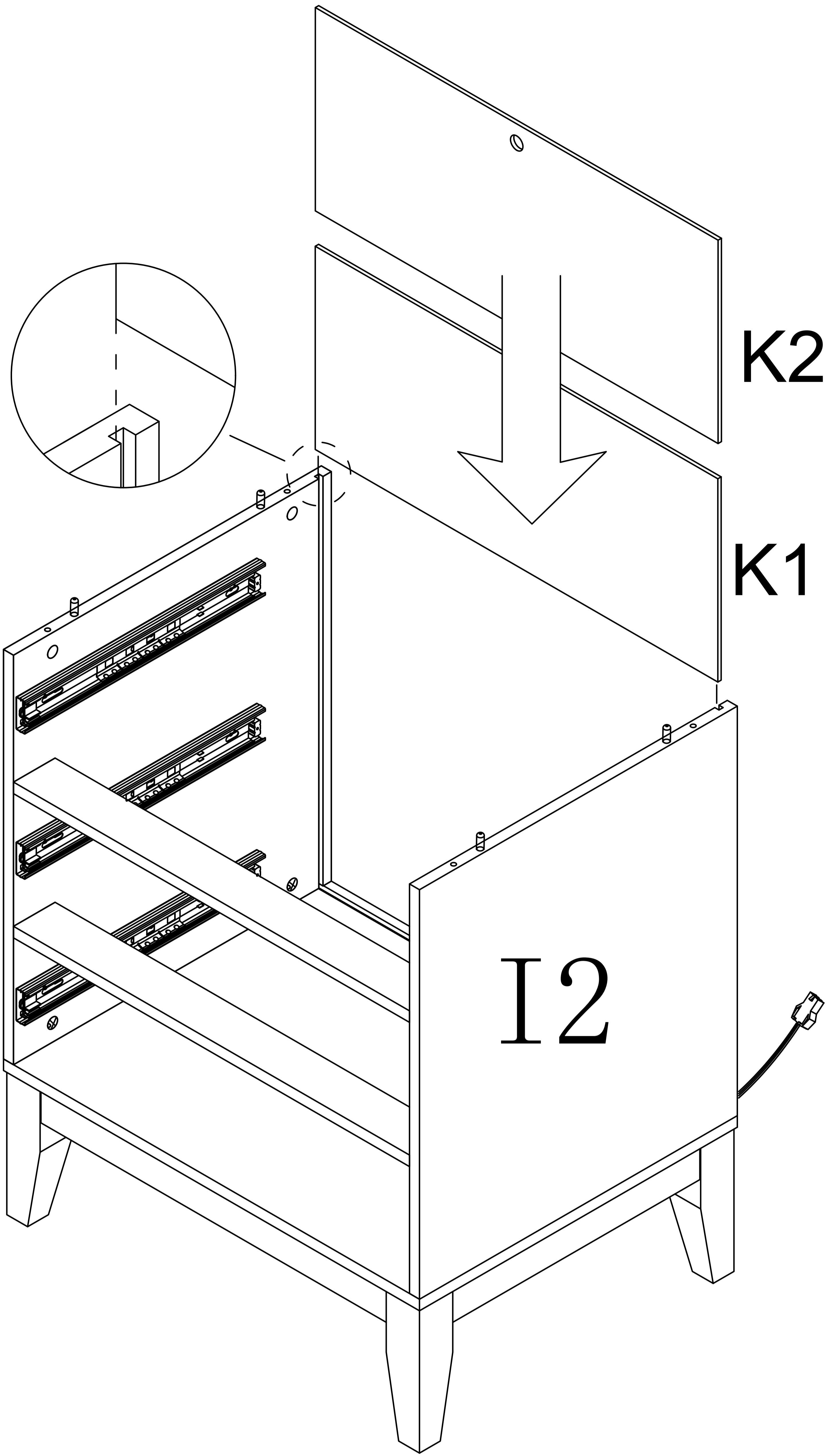


Step 24

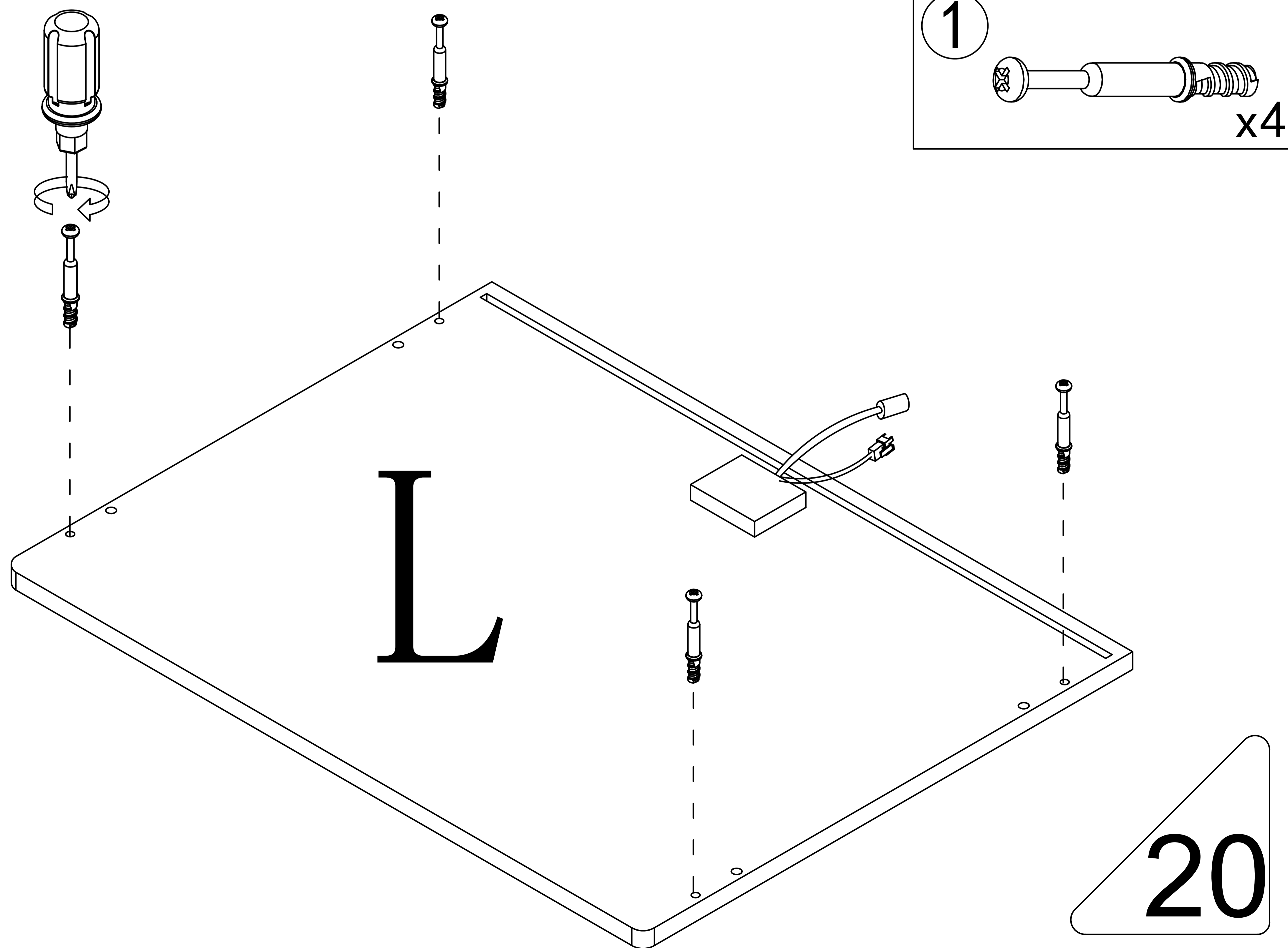
3  x4



Step 25

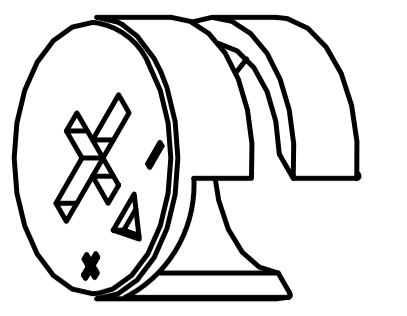


Step 26



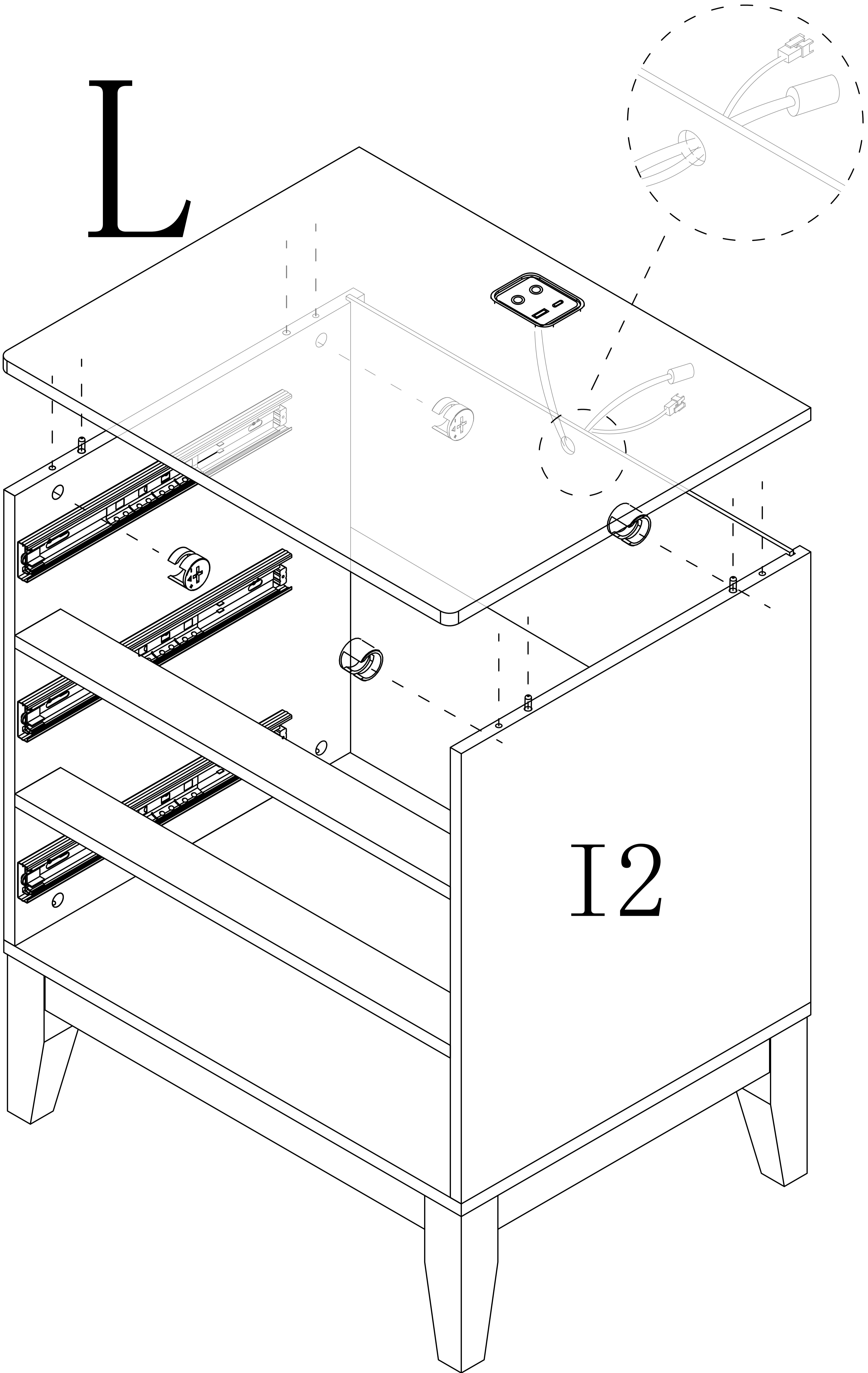
Step 27

2



x4

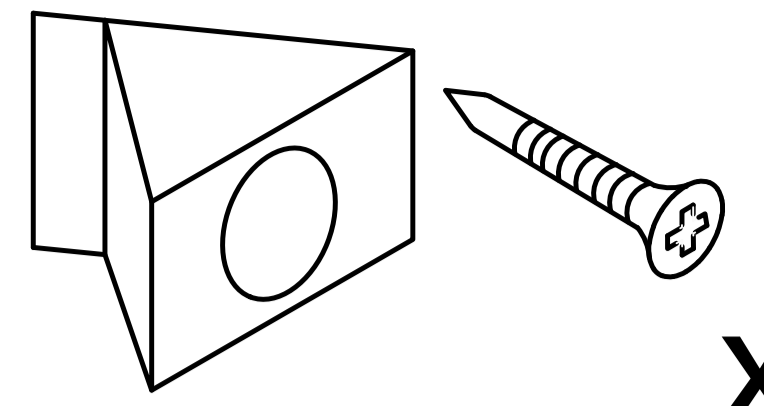
L



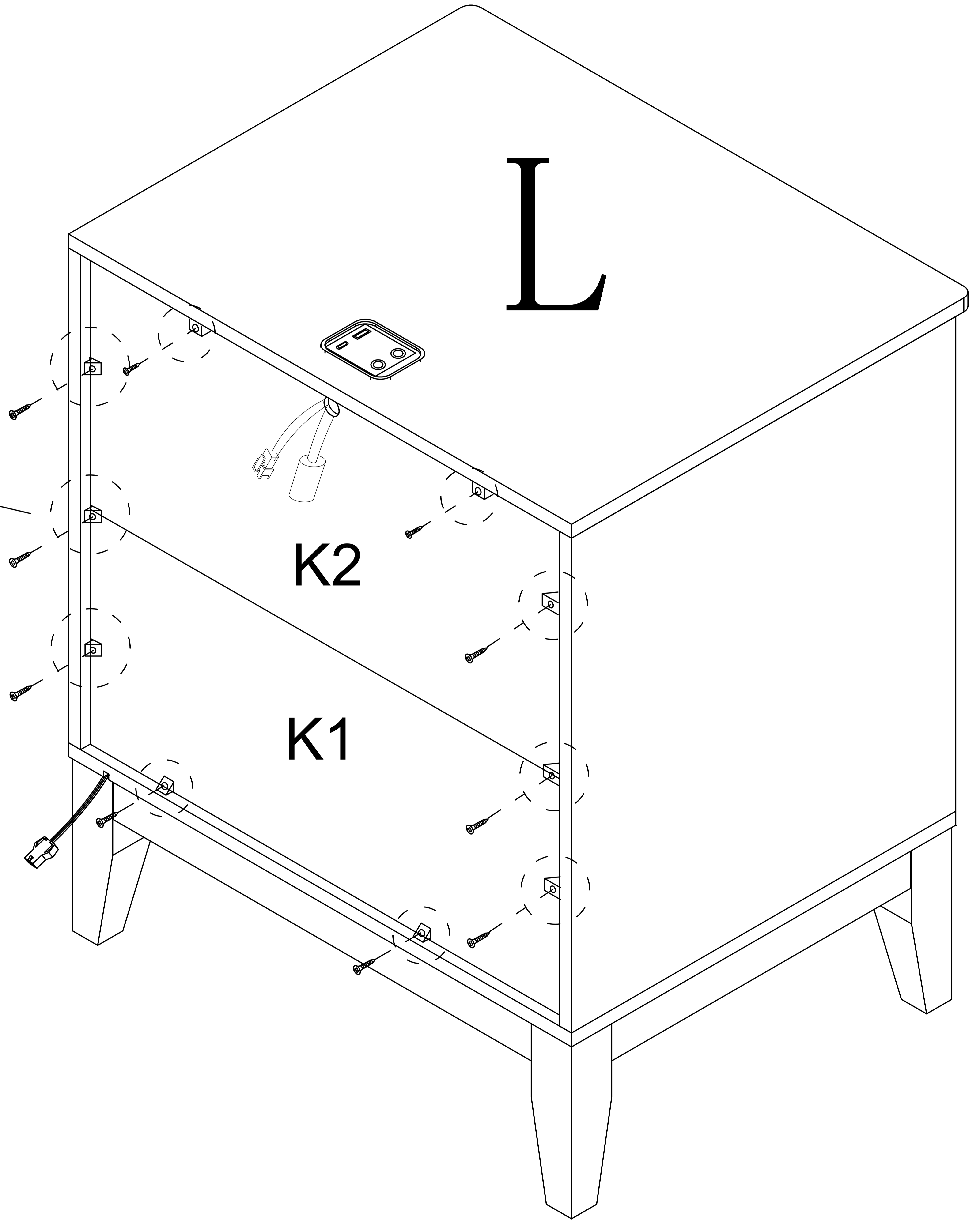
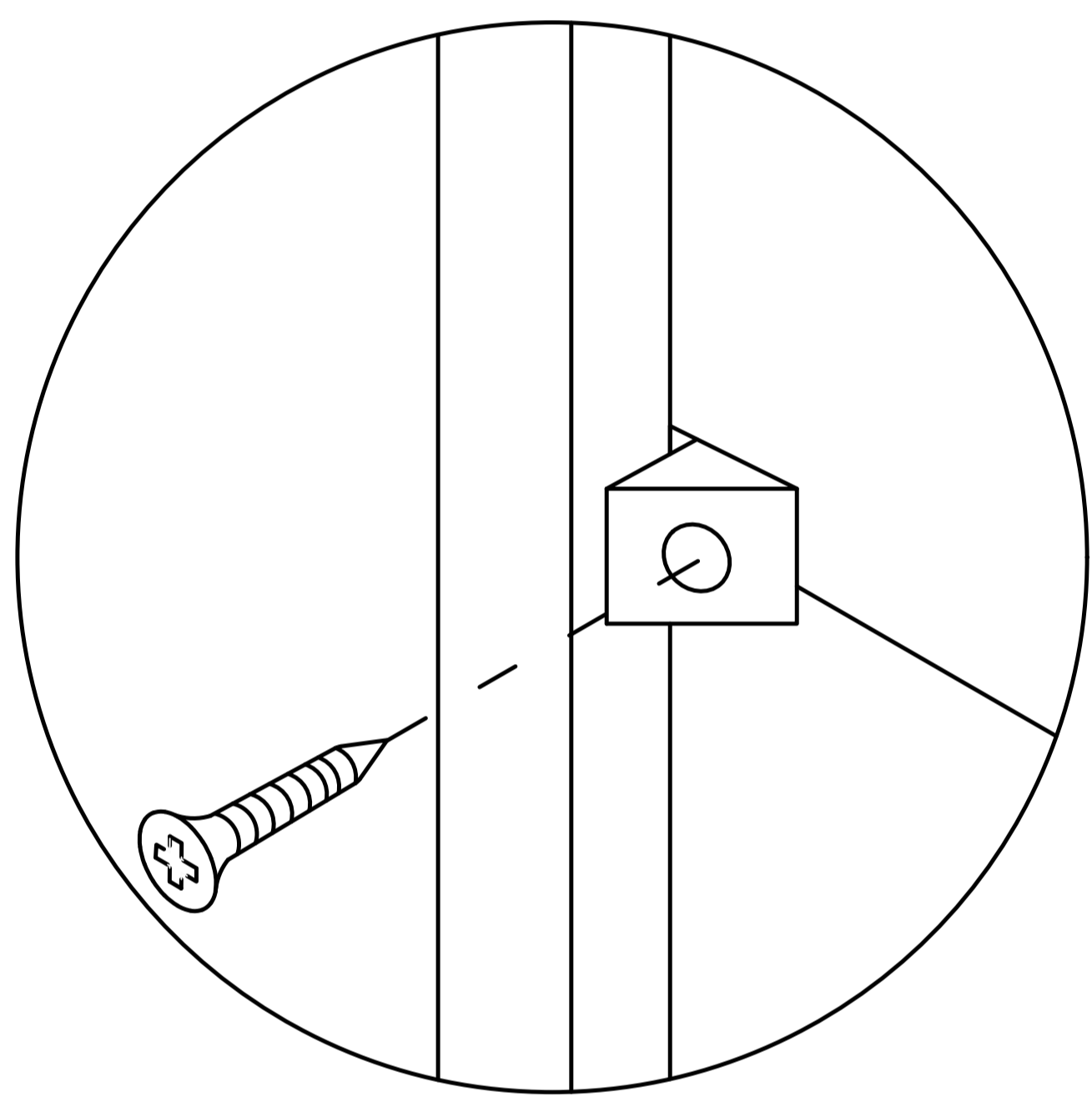
I2

Step 28

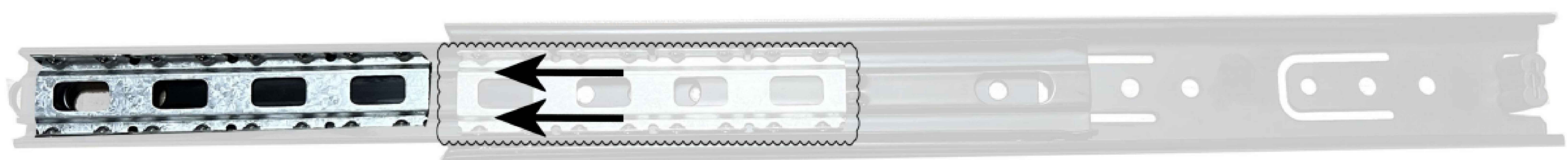
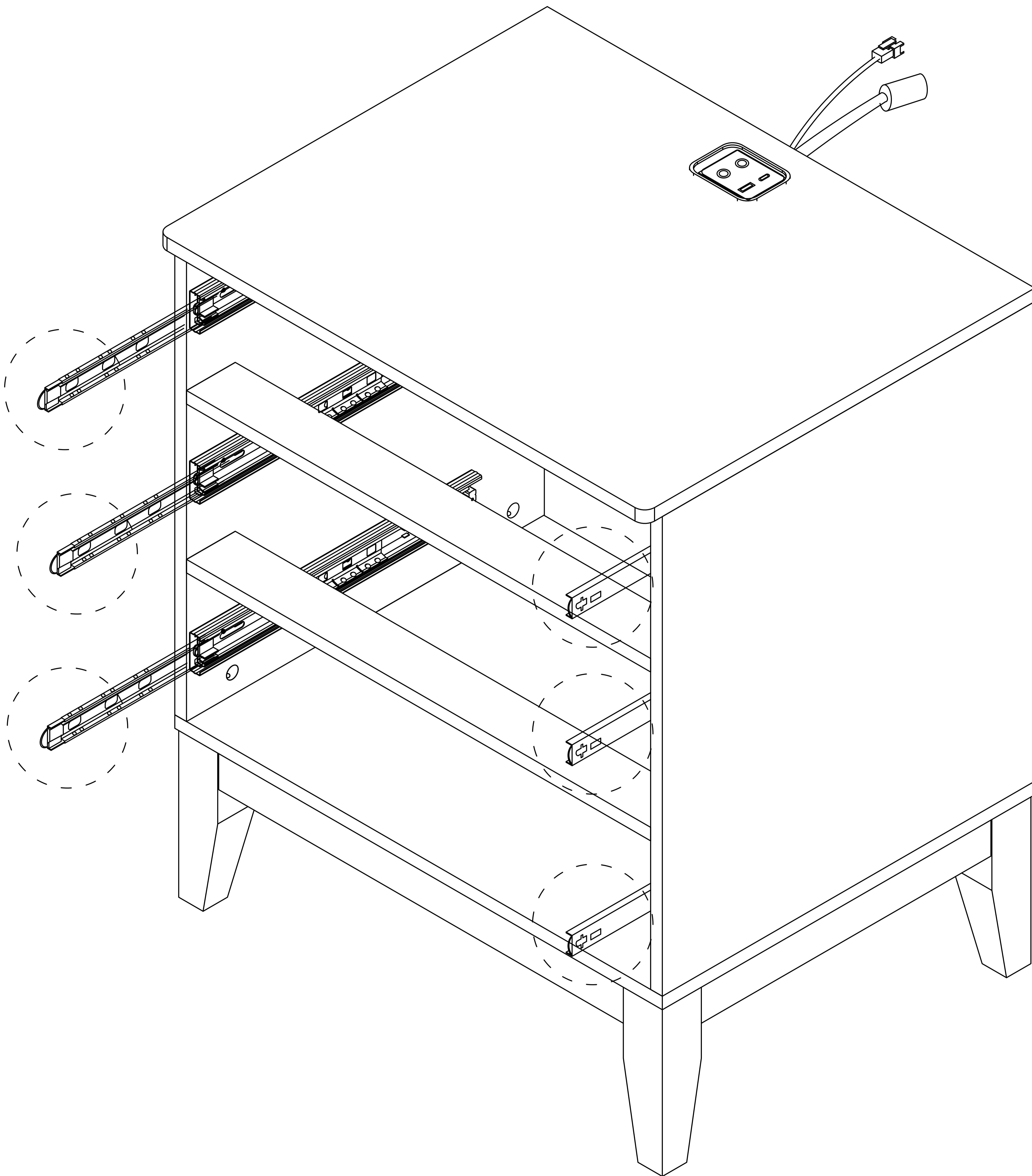
5



x10

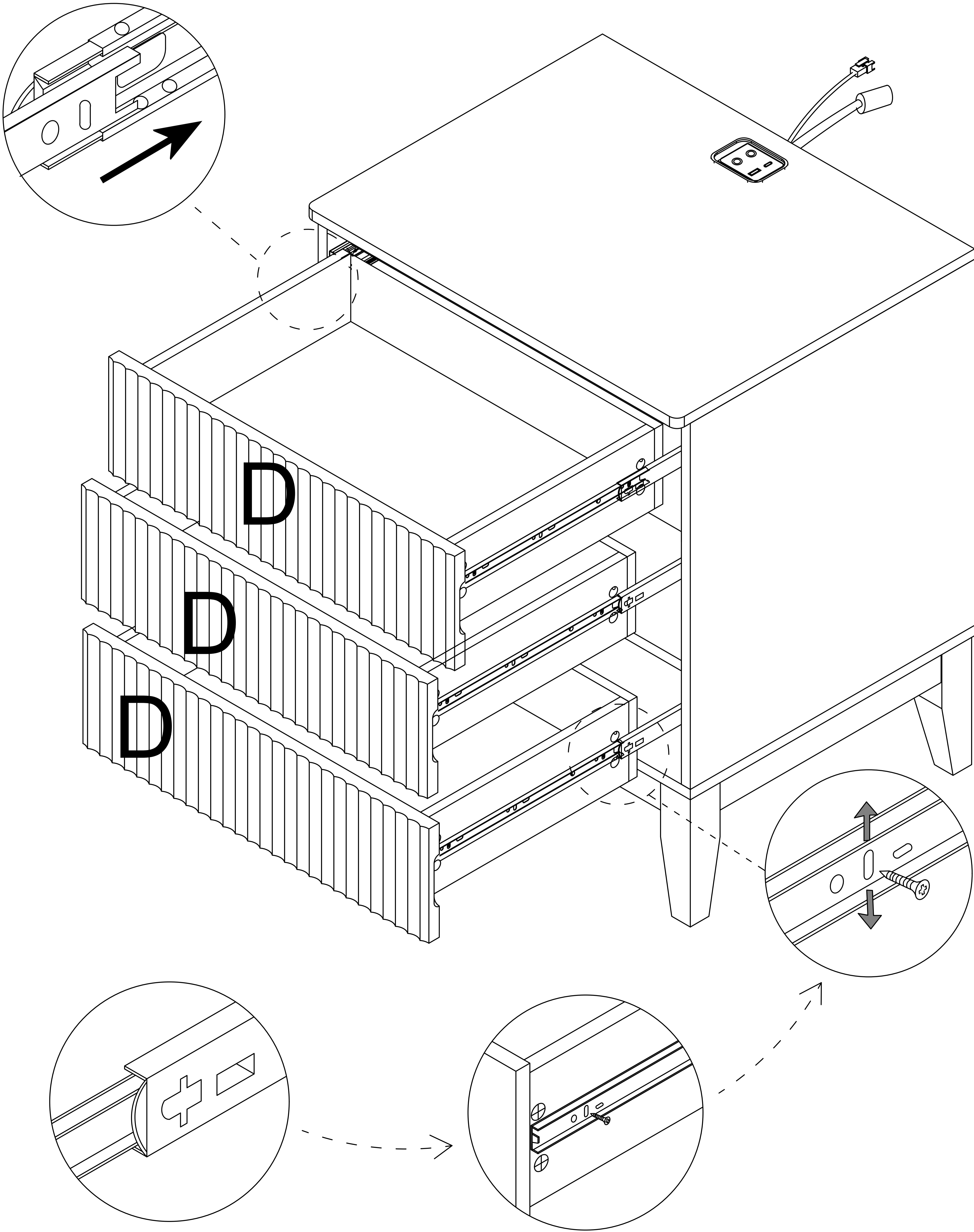


Step 29



As shown, When installing the drawer, pull the guide rail out first, Slide beads are also pulled out.

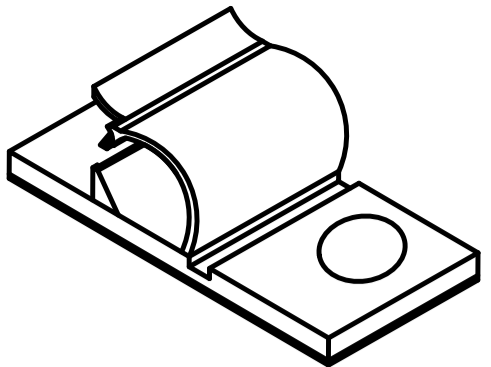
Step 30



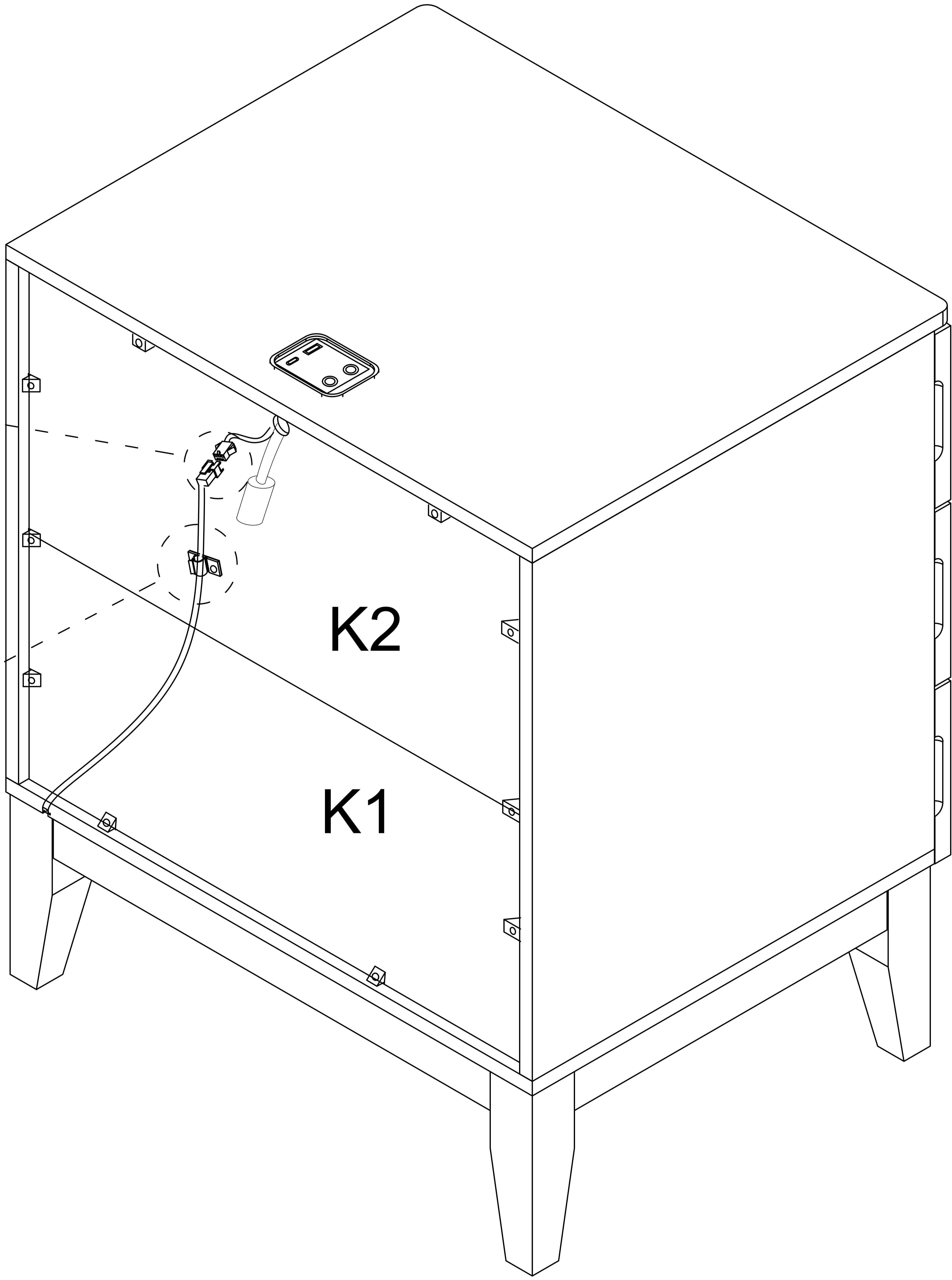
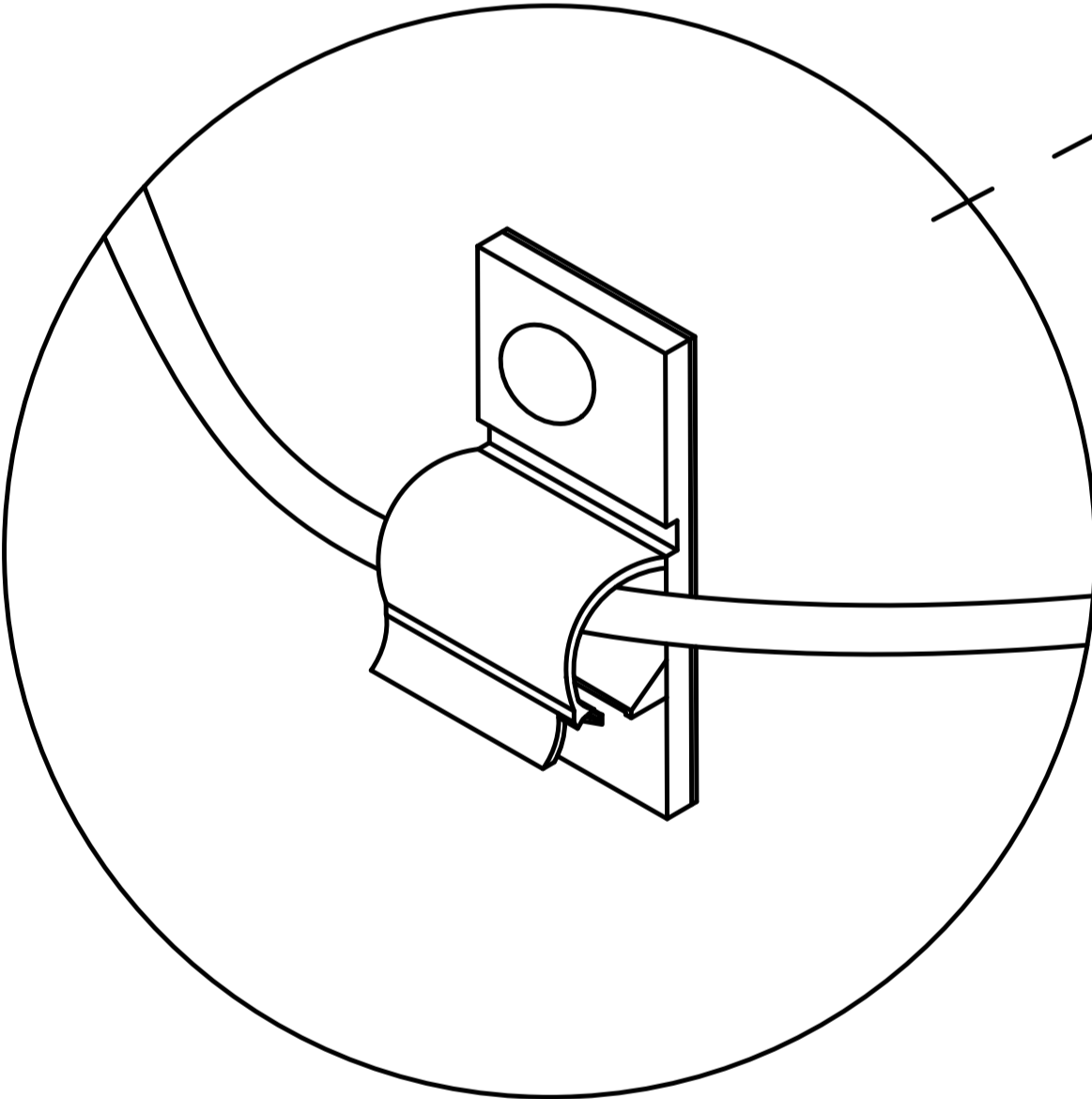
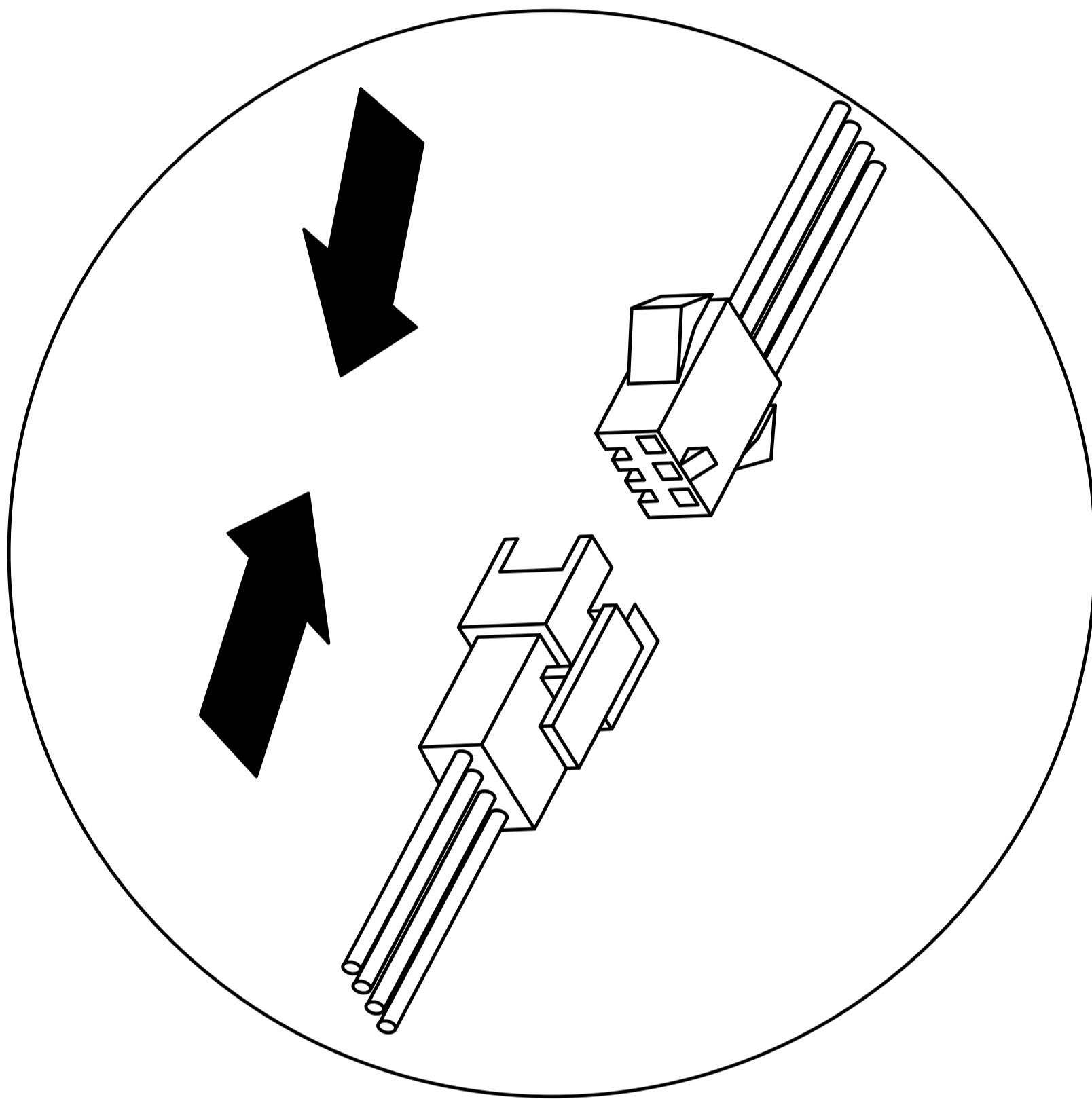
If a large gap is found after installing the drawer the slide rail can be moved up and down to adjust the gap

Step 31

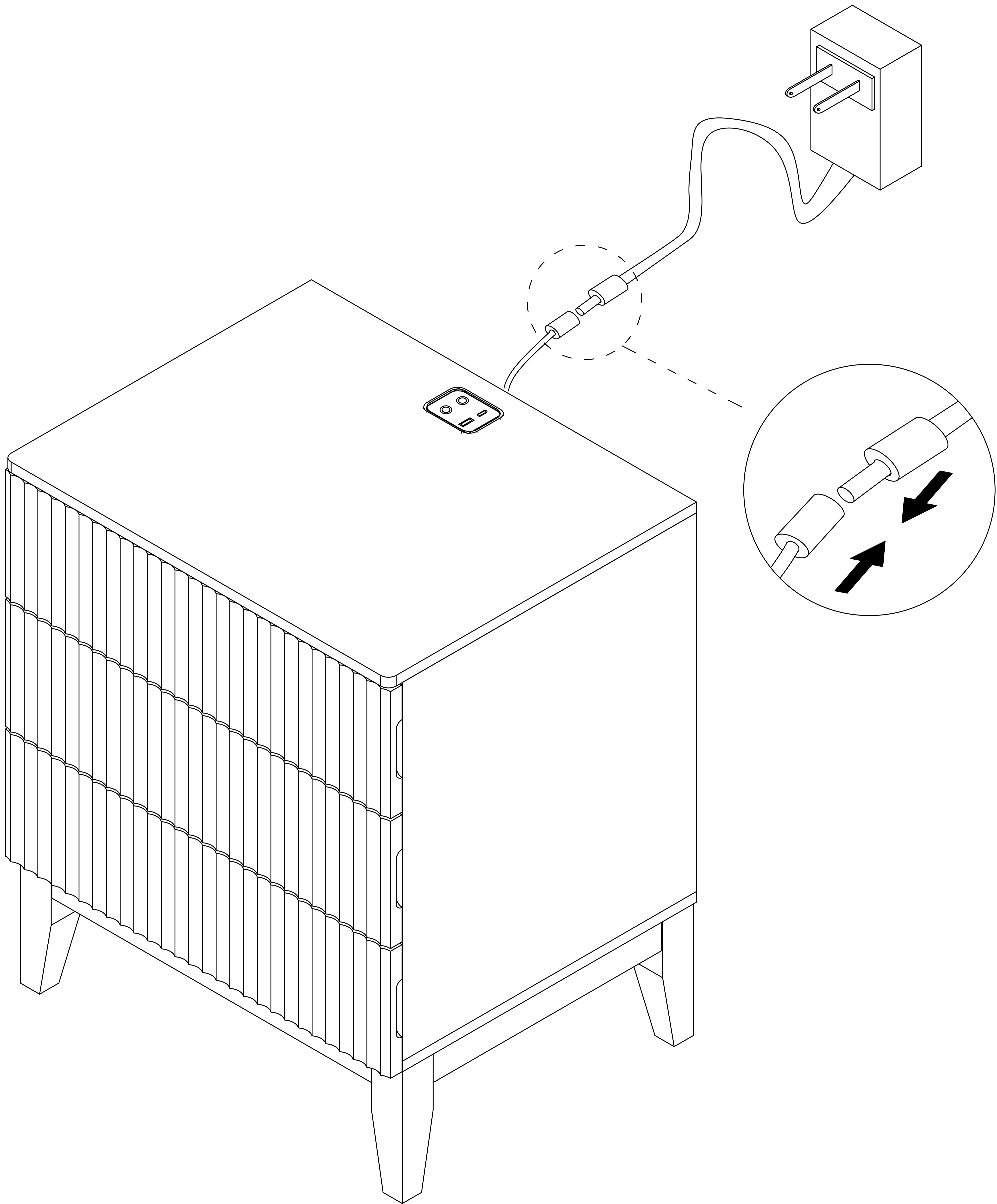
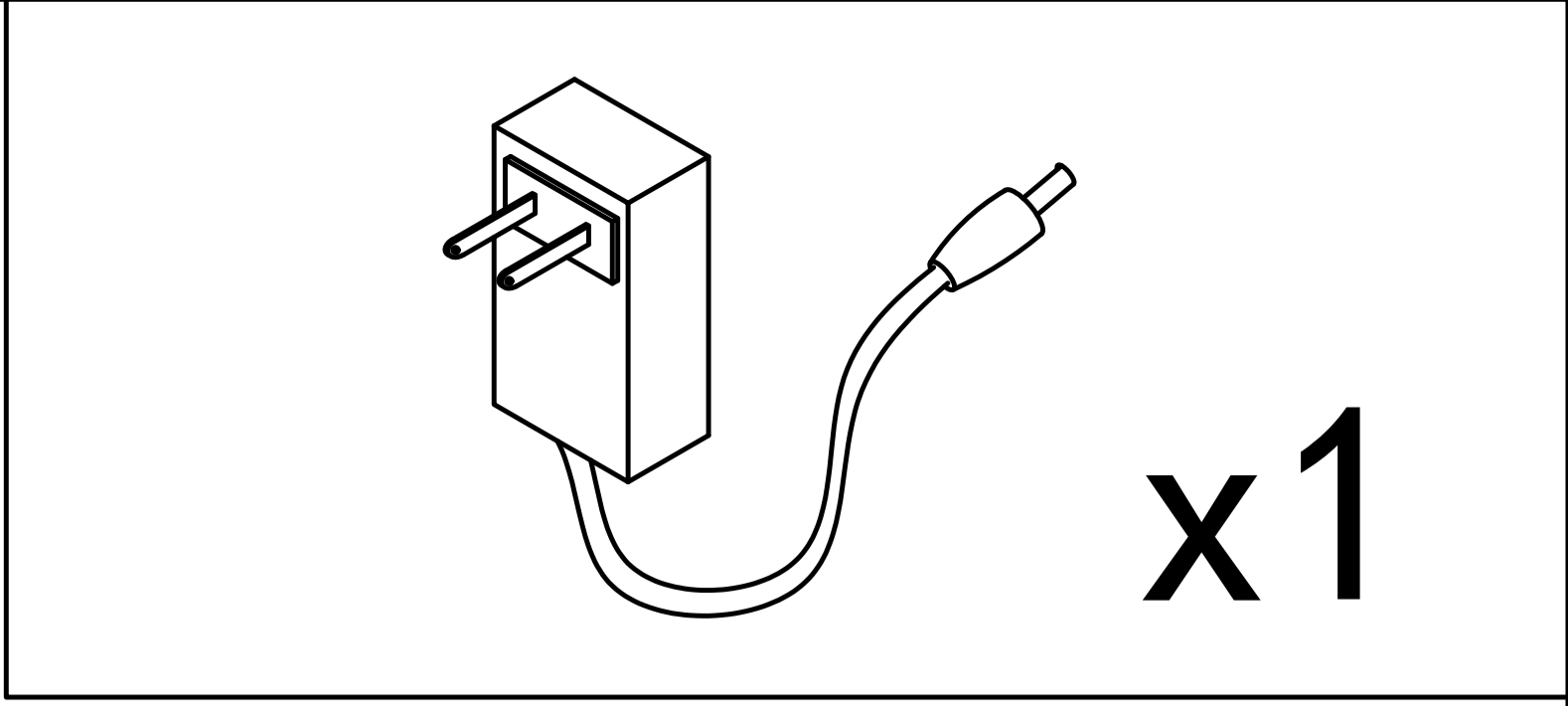
6



x1



Step 32



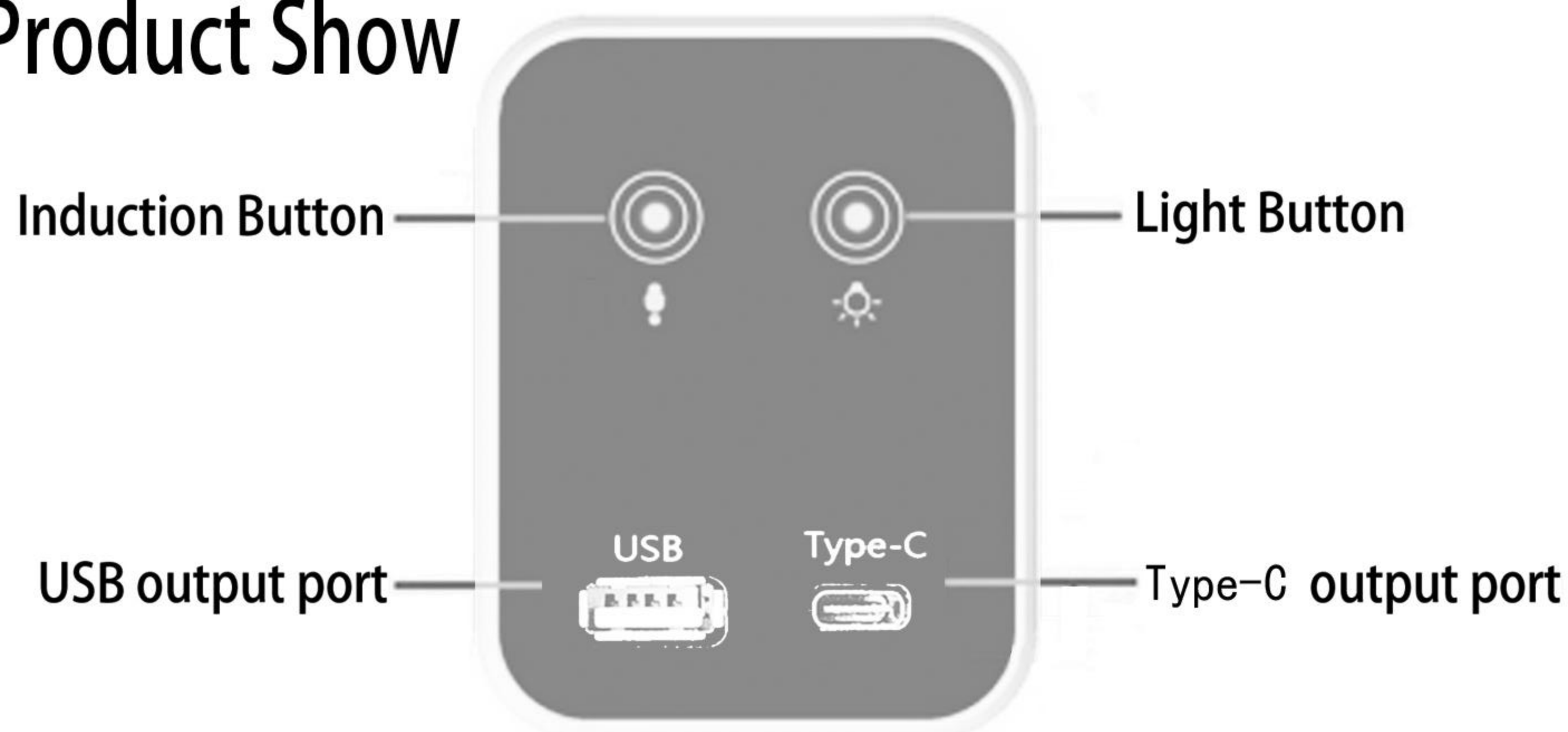
User's Guide

Thank you for purchasing this product. To use this product, please plug it into a 12V DC power supply. Please use if the product works normally after connecting to power.

Introduction

The box is an intelligent controller. It has 1 USB port and 1 type-C port and can distribute the current output up to 5V DC-2A. With 2 touch buttons, it can turn ON/OFF the light, change light colors, and adjust the light luminance.

Product Show



ATTENTION PLEASE

1. If there is no touch response suddenly, Re-plug the power to reset the touch static electricity.
2. If bubbles appear on the panel, remove the protective film.

Operation



This touch button is used to turn on/off, change colors, and adjust brightness.

A. Short touch -> lighting on -> short touch -> change light color -> short touch -> change light color -> short touch -> lighting off. B. Long touch -> adjust the luminance



This touch button is used to turn on/off the induction function.

A . Short touch to turn on the induction function. It can auto-turn on the light when people are close to the controller in 1 meters. It can auto power off the light when the body is far away from the controller after 30 seconds.

B . Long touch to turn off the induction function.

C . Note: When you touch the light button to change the light modes, the induction function will automatically turn off. It is best to turn on this function after selecting the light color and adjusting the brightness you want.