

### Features

- Two-function pull-out sprayhead with touch-control allows you to switch from aerate to Sweep® spray
- Fast flow provides a powerful rise and quickly fills basins and buckets
- Pull-out spout provides flexibility, reaching beyond the sink
- 120° spout rotation offers flexible water containment within sink space
- MasterClean™ sprayface features an easy-to-clean surface that withstands mineral buildup and maximizes spray performance
- KOHLER® ceramic disc valves exceed industry longevity standards for a lifetime of durable performance
- Single-handle operation facilitates flow and temperature control
- Large spray setting button helps easily transition between spray functions
- 4.0 gpm (15.1 lpm) maximum flow rate at 20 psi (1.3 bar)

### Material

- Premium metal construction for durability and reliability
- KOHLER finishes resist corrosion and tarnishing

### Installation

- Three-hole installation on 4" centers



### Codes/Standards


ASME A112.18.1/CSA B125.1  
NSF/ANSI/CAN 61  
NSF/ANSI/CAN 372

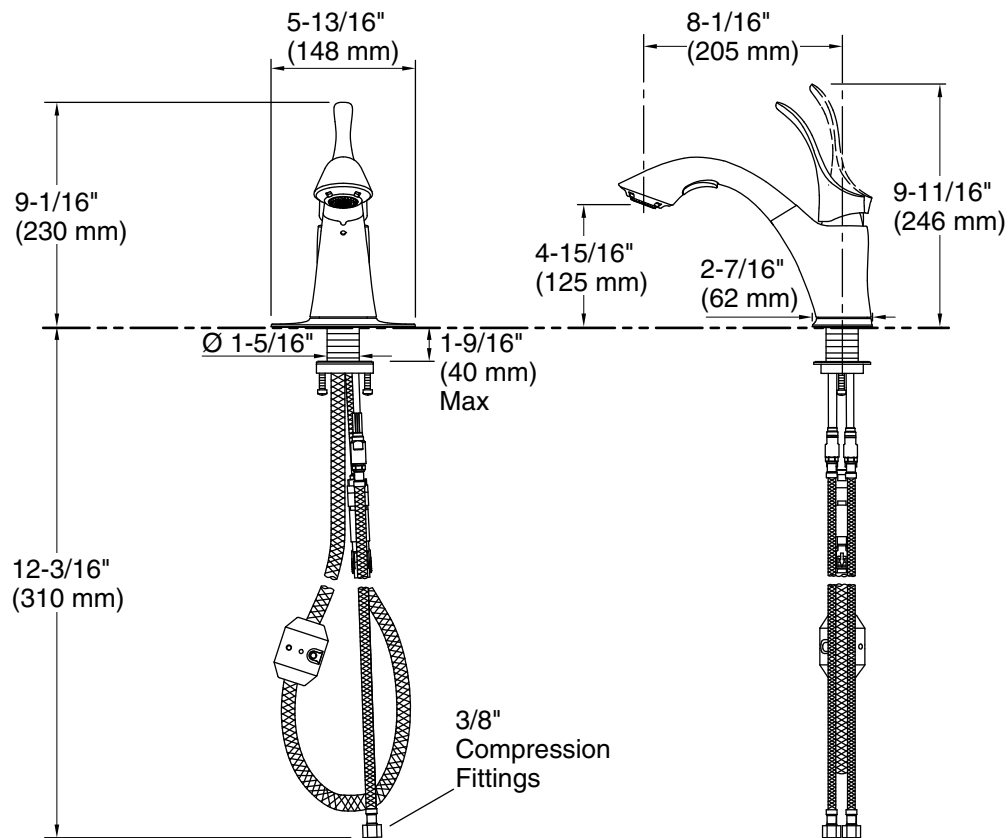
### KOHLER® Faucet Lifetime Limited Warranty

See website for detailed warranty information.

### Available Colors/Finishes

*Color tiles intended for reference only.*

Color	Code	Description
	CP	Polished Chrome
	VS	Vibrant® Stainless
	BL	Matte Black
	2MB	Vibrant® Brushed Moderne Brass



### Technical Information

All product dimensions are nominal.

Faucet flow rate: 4 gal/min (15.1 l/min)

### Spout:

Spout reach: 8" (204 mm)

### Notes

Install this product according to the installation instructions.

Faucet contains all necessary parts for both single-hole and three-hole installations.