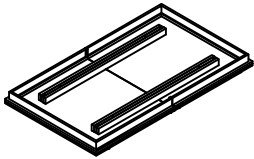
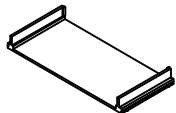

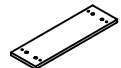
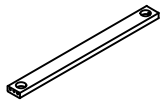
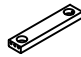
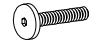







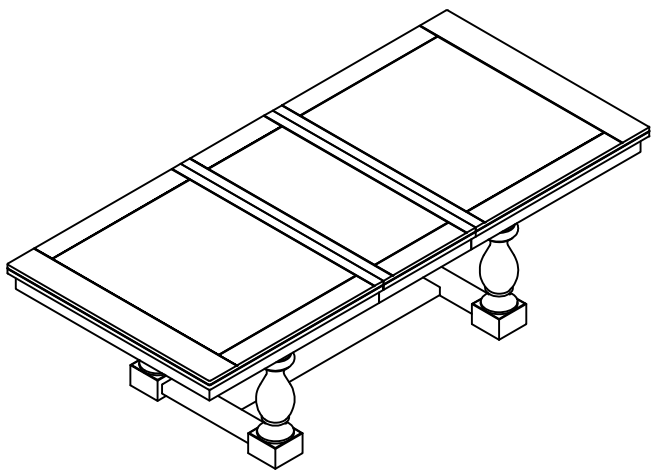


# ASSEMBLY INSTRUCTIONS

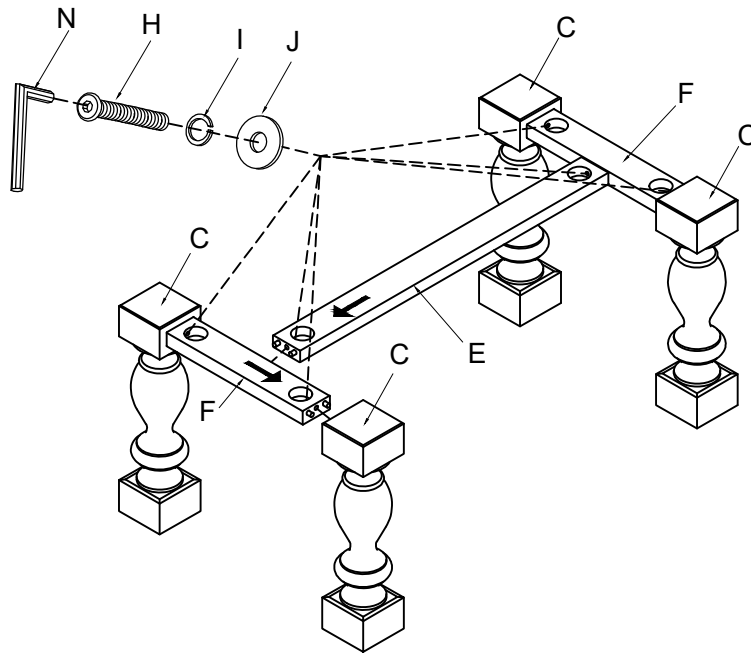
## DINING TABLE WITH LEAF

<b>A</b> Table Top	<b>B</b> Table Leaf	<b>C</b> Post	<b>D</b> Mounting Plate
			
1 pc	1 pc	4 pcs	2 pcs
<b>E</b> Long Stretcher	<b>F</b> Short Stretcher	<b>G</b> Bolt	<b>H</b> Bolt
5/16"	5/16"	5/16" × 1-1/2"	5/16" × 2"
			
1 pc	2 pcs	8 pcs	6 pcs
<b>I</b> Lock Washer	<b>J</b> Flat Washer	<b>K</b> Bolt	<b>L</b> Lock Washer
5/16"	5/16"	1/4" × 2"	1/4"
			
14 pcs	14 pcs	8 pcs	8 pcs
<b>M</b> Flat Washer	<b>N</b> Allen Wrench		
1/4"	M4 × 7/8" × 2-1/4"		
			
8 pcs	1 pc		

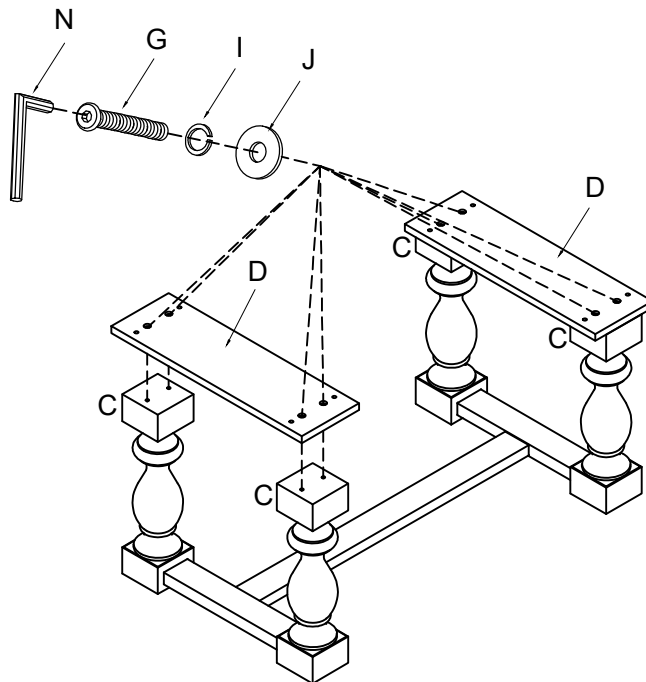


This page lists all the contents included in the box. Please take the time to identify the hardware as well as the individual components to this product. As you unpack and prepare for assembly, place the contents on a carpeted or padded area to protect them from damage.

- 
- 1** Place the Post (C) upside down on a smooth, carpeted surface. Attach the Post (C), Long Stretcher (E) and Short Stretcher (F) together using Bolt (H), Lock Washer (I) and Flat Washer (J) with the Allen Wrench (N).

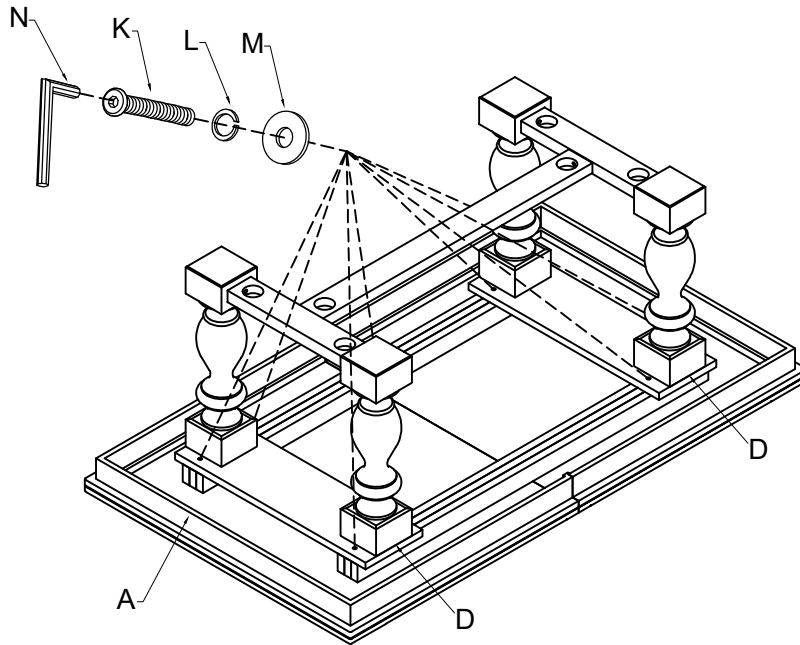


- 
- 2** Stand the assembled posts with stretchers upright. Attach the Mounting Plate (D) to the Post (C) using Bolt (G), Lock Washer (I) and Flat Washer (J) with the Allen Wrench (N).

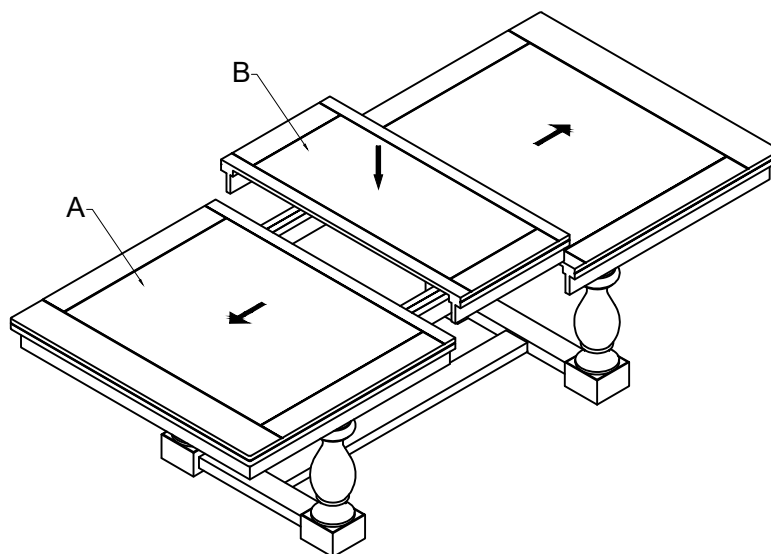


**3**

Place the Table Top (A) upside down on a smooth, carpeted surface. Attach the Mounting Plate (D) to the Table Top (A) using Bolt (K), Lock Washer (L) and Flat Washer (M) with the Allen Wrench (N).

**4**

Stand the assembled table upright. Open the Table Top (A) and place the Table Leaf (B) on the slides.



#### Cleaning & Care

Treat surfaces with care. Surfaces are resistant to scratches but are not scratch resistant. Clean surfaces with a dry or damp soft cloth. Do not use abrasive cleaners. Hardware may loosen over time. Periodically check that all connections are tight.