

## NOTICE

- \* Please make sure that you have all parts indicated before you begin assembly of this item
- \* This item should be assembled on a soft surface to prevent scratching the finish during assembly
- \* This item may require periodic tightening
- \* If you are having difficulty, our friendly Customer Care team is always here to help.

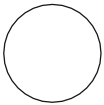
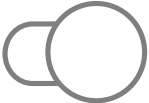


## PREPARATION

- \* Before beginning assembly of product, make sure all parts are present. Compare parts with part contents list and hardware contents list.
- \* If any part is missing or damaged, do not attempt to assemble the product.
- \* Estimated Assembly Time: 10 minutes.
- \* Tools Required for Assembly : Phillips Screw Driver

## CARE AND MAINTENANCE

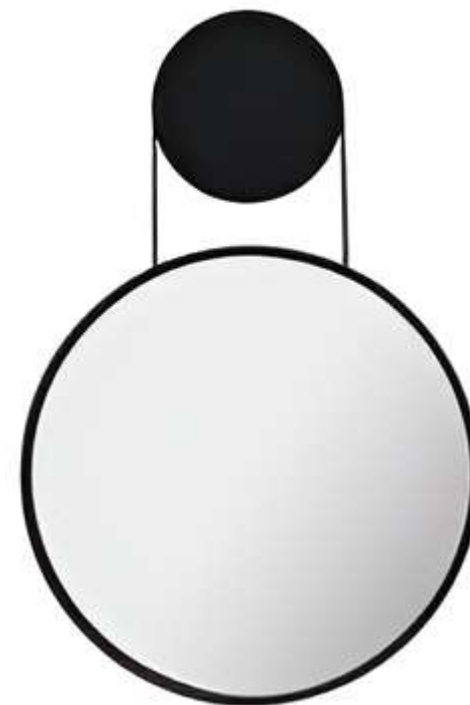
Dust with a soft, dry cloth. Do not use abrasive cleaner. To clean mirror, spray a small amount of glass cleaner onto a lint-free cloth and wipe mirror clean.

### Part List and Hardware List

Piece	Description	Picture	Quantity
A	Top		1 x
B	Frame		1 x
C	Screw Star slot head (50mm)		2X
D	Wall Anchor		2X

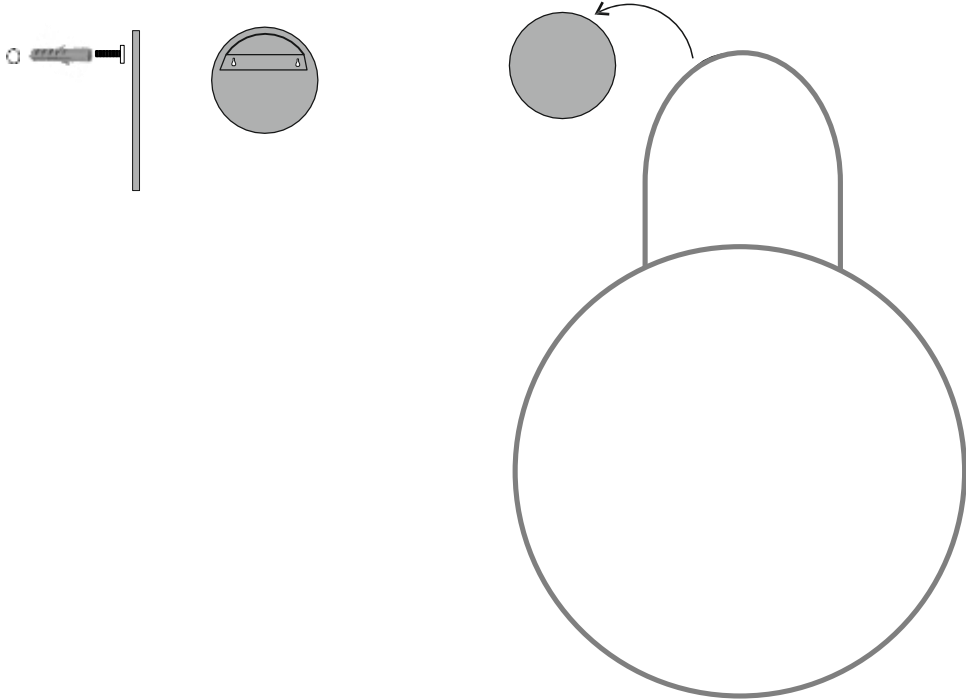
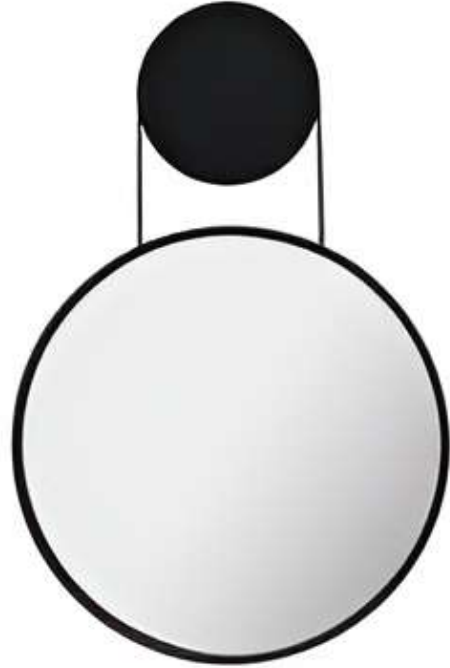
# Installation & Assembly

Product Dimensions: 24X0.75X36"



## Preparation

- \*Before beginning assembly of product, make sure all parts are present. Compare parts with package contents list and hardware contents list.
- \*If any part is missing or damaged, do not attempt to assemble the product.
- \*Estimated Assembly Time: 10 minutes.
- \*Tools Required for Assembly :Phillips Screw Driver
- \* If you are having difficulty, our friendly Customer Care team is always here to help.

 <p>The diagram for Step 1 shows the components for assembly. On the left, there is a Phillips screwdriver, a vertical metal plate with a hole at the top, and a circular mirror with a horizontal slot. To the right, a large circular mirror is shown with a U-shaped bracket attached to its top edge. An arrow points from a separate circular anchor to the top of the U-shaped bracket, indicating where it should be inserted.</p>	 <p>The diagram for Step 2 shows the final assembly. A large circular mirror is mounted on a wall. A dark circular anchor is inserted into the top of the mirror's U-shaped bracket. Two vertical lines connect the top of the mirror to the anchor, representing the mounting hardware.</p>
<p><b>Step : 1</b> First anchor insert on the wall and then tighten the screw hang the round plate on the screw and hang the mirror on the plate.</p>	<p><b>Step : 2</b> The Product is ready to use</p>