


# ASSEMBLY INSTRUCTIONS

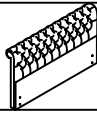

## QUEEN BED - EASTERN KING BED - CALIFORNIA KING BED

Thank you for purchasing this product. Please take time to read and follow the instructions below. Check that you have all parts and hardware before assembly. Parts apparently missing are often found in the packing materials. If you do not have all the parts listed, have your dealer contact us and they be sent to you immediately.

 It is recommended to install protective pads under all legs and support to avoid damage or scratches when placing furniture on a wood floor or other hard surface, and to limit indentation and prevent discoloration if placing on carpet.

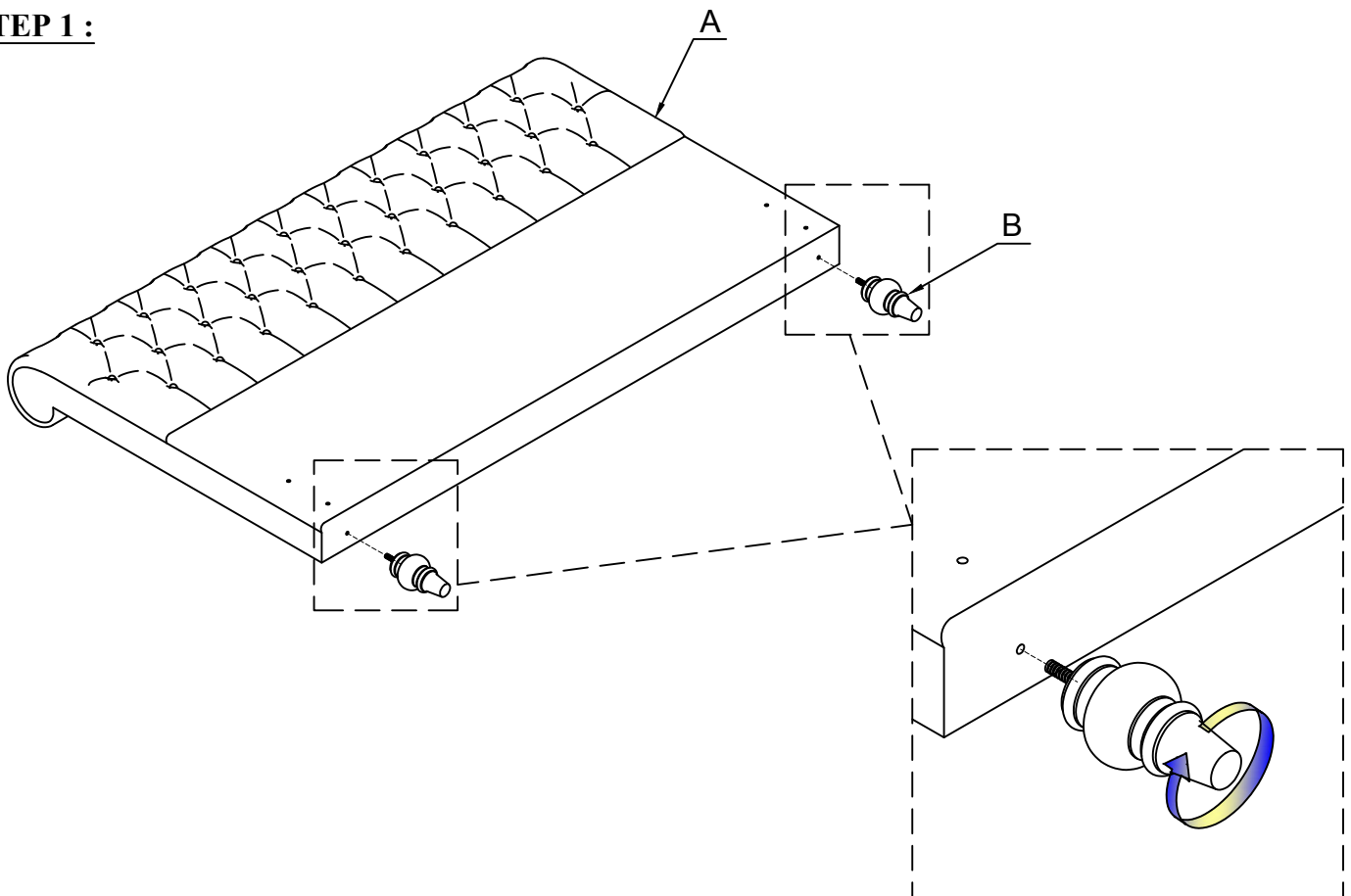
\* DO NOT TIGHTEN BOLTS UNTIL COMPLETELY ASSEMBLED

### PARTS LIST

NO.	SKETCH	DESCRIPTION	QTY
A		Headboard	1 PC
B		Bun Foot	2 PCS

\*ABOVE HARDWARE ARE PACKED IN  
B40 and B41-1, B40 and B41EK-1 & B40 and B41CK-1  
FOR ASSEMBLY


### STEP 1 :



# ASSEMBLY INSTRUCTIONS

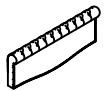

## QUEEN BED - EASTERN KING BED - CALIFORNIA KING BED

Thank you for purchasing this product. Please take time to read and follow the instructions below. Check that you have all parts and hardware before assembly. Parts apparently missing are often found in the packing materials. If you do not have all the parts listed, have your dealer contact us and they be sent to you immediately.

 It is recommended to install protective pads under all legs and support to avoid damage or scratches when placing furniture on a wood floor or other hard surface, and to limit indentation and prevent discoloration if placing on carpet.

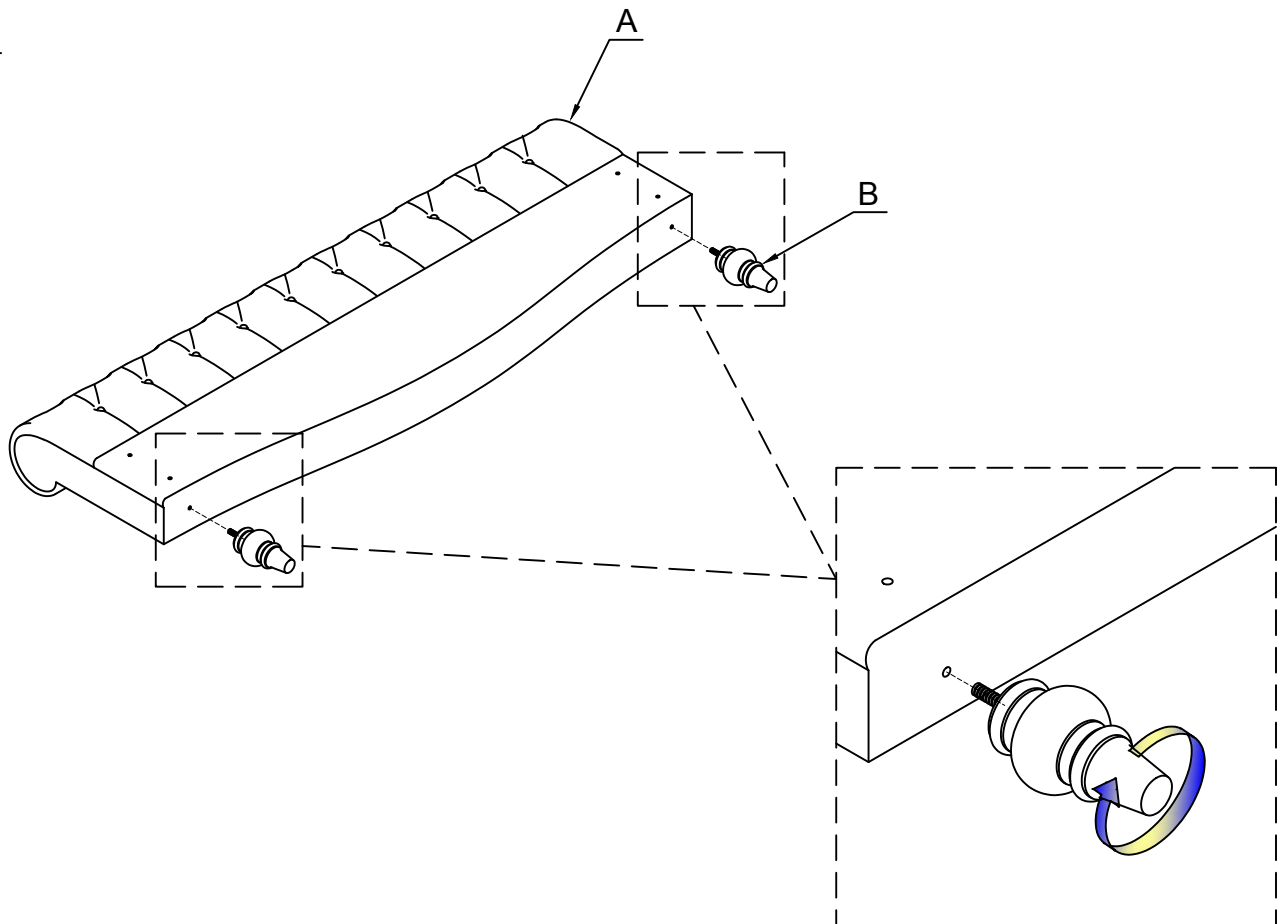
\* DO NOT TIGHTEN BOLTS UNTIL COMPLETELY ASSEMBLED

### PARTS LIST

NO.	SKETCH	DESCRIPTION	QTY
A		Footboard	1 PC
B		Bun Foot	2 PCS

\*ABOVE HARDWARE ARE PACKED IN  
B40 and B41-2, B40 and B41EK-2 & B40 and B41CK-2  
FOR ASSEMBLY

### STEP 1 :



# ASSEMBLY INSTRUCTIONS


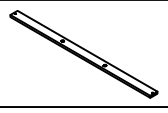

## QUEEN BED - EASTERN KING BED - CALIFORNIA KING BED

Thank you for purchasing this product. Please take time to read and follow the instructions below. Check that you have all parts and hardware before assembly. Parts apparently missing are often found in the packing materials. If you do not have all the parts listed, have your dealer contact us and they be sent to you immediately.






**!** It is recommended to install protective pads under all legs and support to avoid damage or scratches when placing furniture on a wood floor or other hard surface, and to limit indentation and prevent discoloration if placing on carpet.

**\* DO NOT TIGHTEN BOLTS UNTIL COMPLETELY ASSEMBLED**

### PARTS LIST

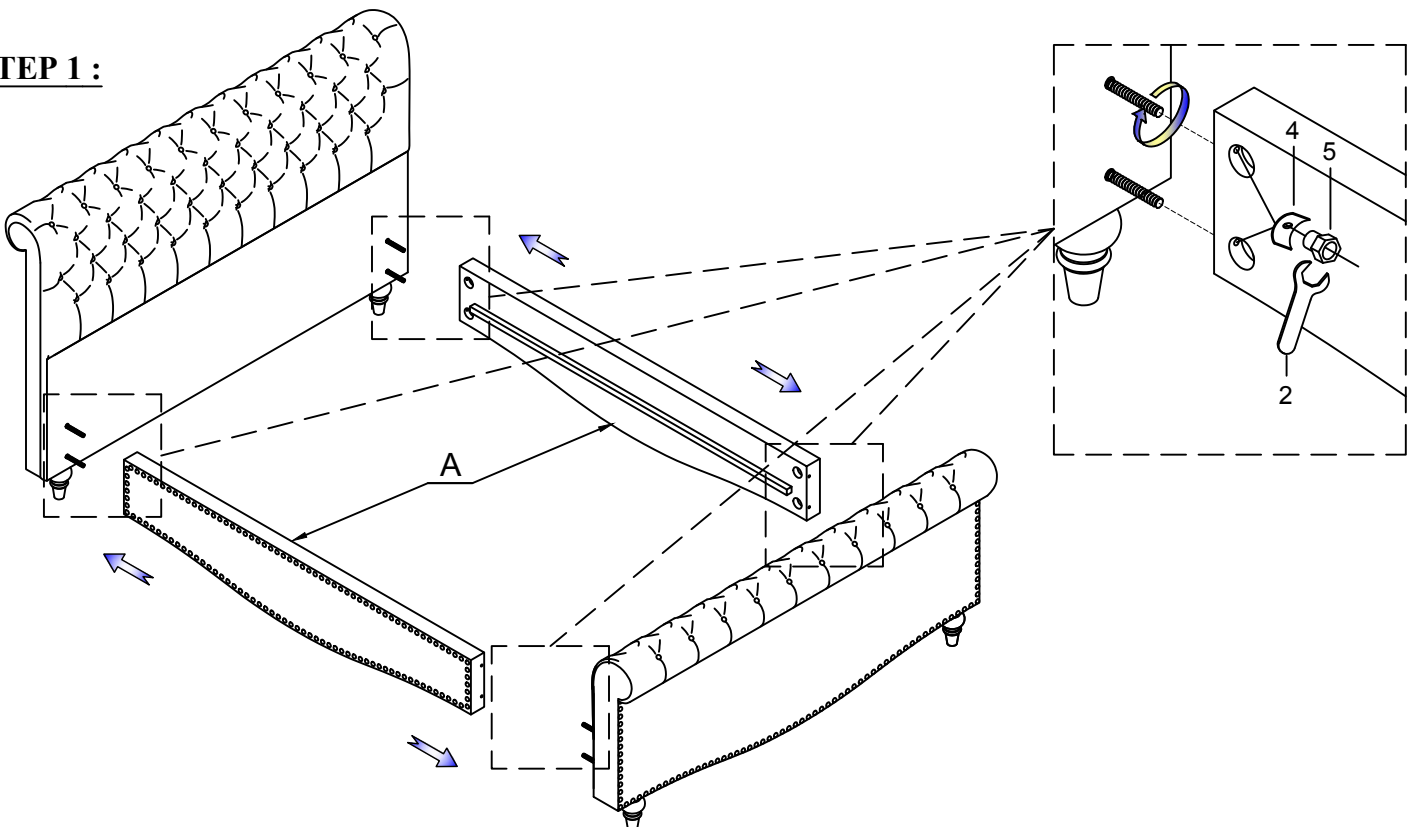
NO.	SKETCH	DESCRIPTION	QTY
A		Side Rail	2 PCS
B		Slat	5 PCS
C		Slat Support Leg	10 PCS

### HARDWARE LIST

NO.	SKETCH	DESCRIPTION	SIZE	QTY
1		Screw	M4 x 30mm	10 PCS
2		Open Wrench		1 PC
3		Thread Bolt	Ø5/16 "x80mm	8 PCS
4		Curve Washer		8 PCS
5		Hex Nut		8 PCS

\*ABOVE HARDWARE ARE PACKED IN B40 and B41-3, B40 and B41EK-3 & B40 and B41CK-3 FOR ASSEMBLY

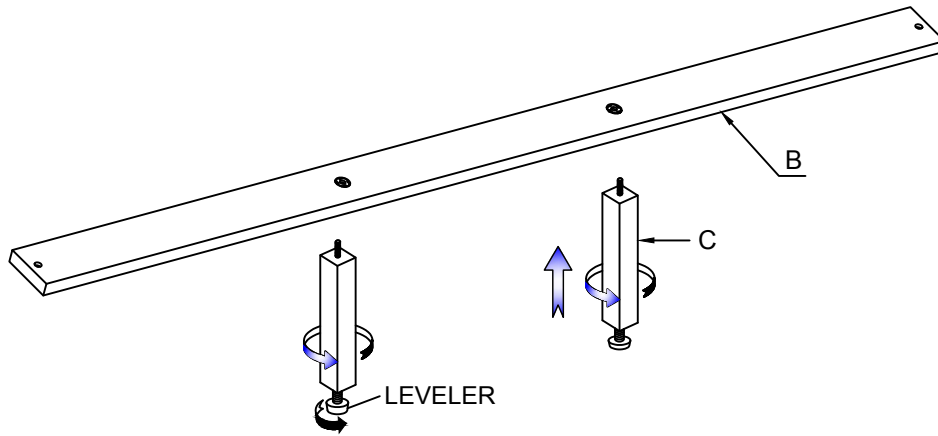
### STEP 1 :



# ASSEMBLY INSTRUCTIONS

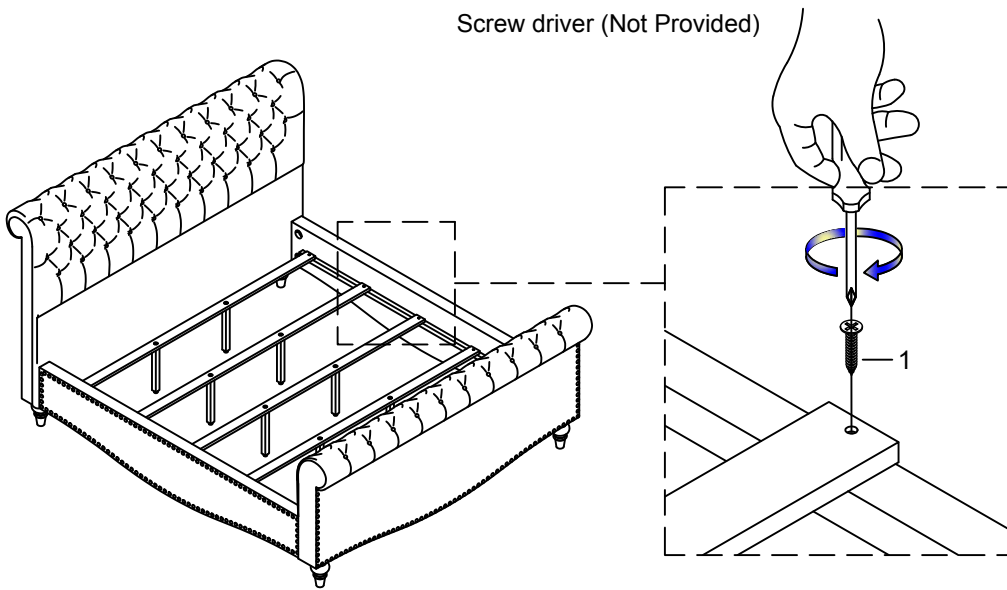
## QUEEN BED - EASTERN KING BED - CALIFORNIA KING BED

### STEP 2 :



### STEP 3 :

Screw driver (Not Provided)



### STEP 4 :

