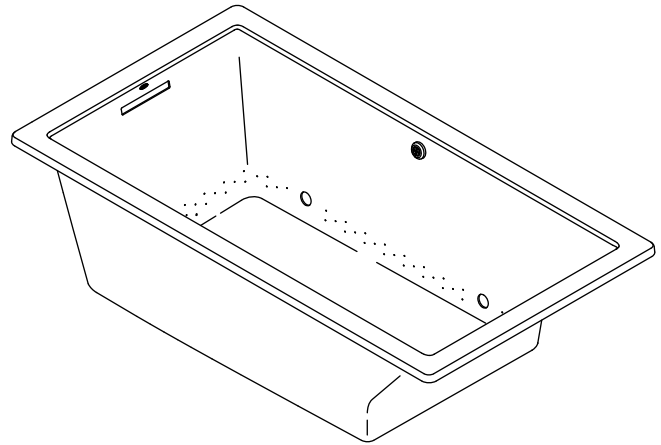


Features

- Acrylic
- Bask™ heated lumbar support with three temperature settings
- Slotted overflow for maximum bathing depth
- 122 BubbleMassage™ airjets
- Blower motor with 300 W heater and electronic user control
- Zones of Control™ concentrates massage at back, midsection, or feet
- Molded lumbar support for comfort
- Available with chromatherapy [-GCW]
- Drop-in installation or under-mountable
- Reversible drain
- 66" (1676 mm) x 36" (914 mm) x 22" (559 mm)

5.5' BUBBLEMASSAGE™ BATH WITH BASK™ K-1173-GW ALSO K-1173-GCW



Codes/Standards Applicable

Specified model meets or exceeds the following:

- CSA B45.5/IAPMO Z124
- UL 1795
- ASTM E162
- ASTM E662
- ASME A112.19.7/CSA B45.10

Colors/Finishes

- 0: White
- CP: Polished Chrome
- PB: Vibrant® Polished Brass
- NA: None applicable
- Other: Refer to Price Book for additional colors/finishes

Specified Model

Model	Description	Colors/Finishes	
K-1173-GW	5.5' BubbleMassage bath with Bask – without chromatherapy	<input type="checkbox"/> 0	<input type="checkbox"/> Other _____
K-1173-GCW	5.5' BubbleMassage bath with Bask – with chromatherapy (shown)	<input type="checkbox"/> 0	<input type="checkbox"/> Other _____

Required Accessories			
K-7271	Clearflo slotted overflow brass bath drain OR	<input type="checkbox"/> CP	<input type="checkbox"/> PB <input type="checkbox"/> Other _____
K-7272	Clearflo slotted overflow bath drain – PVC pipe	<input type="checkbox"/> CP	<input type="checkbox"/> PB <input type="checkbox"/> Other _____
Optional Accessories			
K-591	Under-mount kit		<input type="checkbox"/> NA
K-1491	Pillow	<input type="checkbox"/> 0	<input type="checkbox"/> Other _____
K-1601	Footstop (cont.)	<input type="checkbox"/> 0	<input type="checkbox"/> Other _____

Product Specification

The acrylic BubbleMassage bath shall be 66" (1676 mm) in length, 36" (914 mm) in width, and 22" (559 mm) in height. Bath shall feature Bask heated lumbar support with three temperature settings. Bath shall be for drop-in installation or under-mountable. Bath shall have a blower motor with 300 W heater, and electronic user control. Bath shall have 122 BubbleMassage airjets, and reversible drain. Bath shall have slotted overflow for maximum bathing depth, and molded lumbar support for comfort. Bath shall be with Zones of Control feature, which concentrates massage at back, midsection, or feet. Bath shall be available with chromatherapy [-GCW]. Bath shall be Kohler Model K-1173-_____-_____.

UNDERScore®

(cont.) Optional Accessories

K-1705	Remote control			<input type="checkbox"/> NA
K-9498	3" (76 mm) whirlpool keypad trim	<input type="checkbox"/> CP	<input type="checkbox"/> PB	<input type="checkbox"/> Other_____
1013469	Trim ring, interface, core	<input type="checkbox"/> CP	<input type="checkbox"/> PB	<input type="checkbox"/> Other_____

Technical Information

Fixture*:	
Bathing well:	
Basin area, bottom	44-1/2" (1130 mm) x 26-1/2" (673 mm)
Basin area, top	60-1/4" (1530 mm) x 30-1/4" (768 mm)
Weight	111 lbs (50.3 kg)
To overflow:	
Water depth	17-3/4" (451 mm)
Capacity	102 gal (386 L)
* Approximate measurements for comparison only.	

	V	Hz	A
Blower motor/Heated surface	220-240	50/60	5

Drop-in cutout 65" (1651 mm) x 35" (889 mm)

Required Electrical Service

Dedicated circuit required, protected with Class A Ground-Fault Circuit-Interrupter (GFCI) or Residual Current Device (RCD):

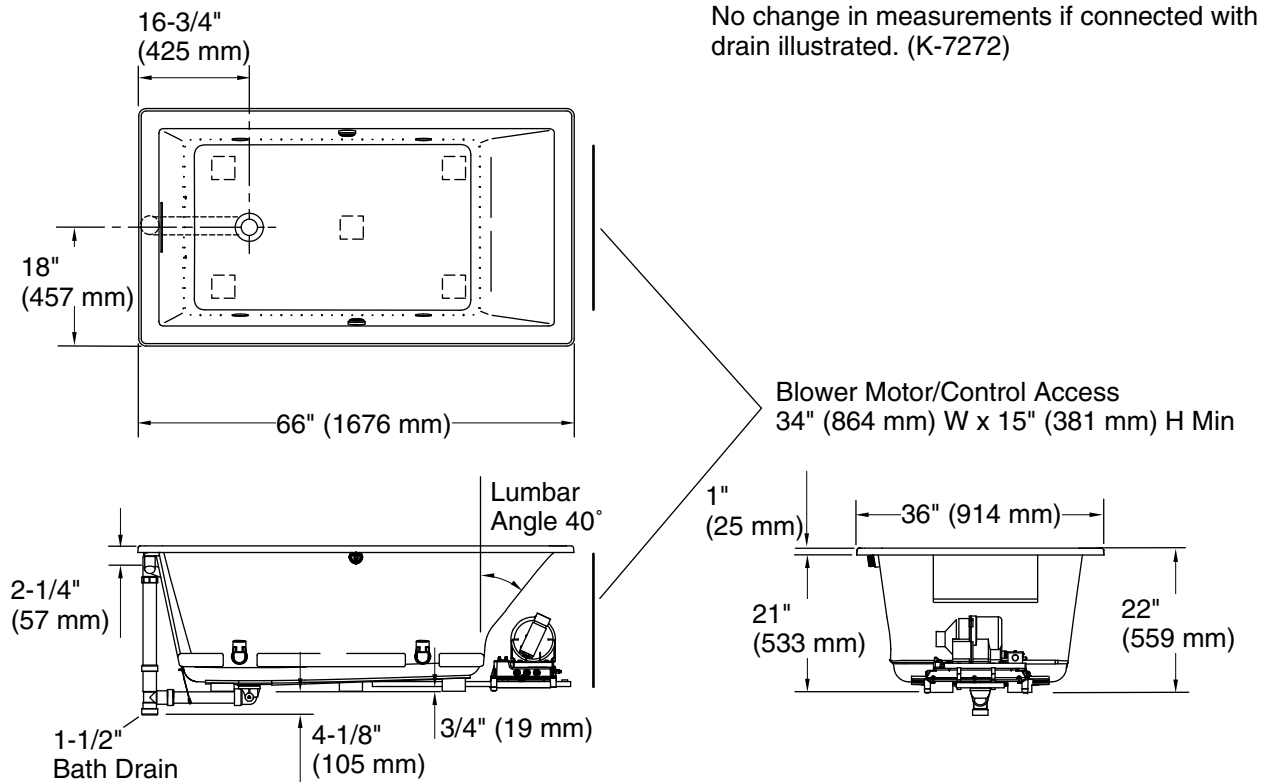
Blower motor/Heated surface 220-240 V, 15 A, 50/60 Hz

Installation Notes

Install this product according to the installation guide.

Floor support under bath must provide for a minimum of 60 lbs/square foot (291 kg/square meter) loading.

Hot water supply should be 70% of capacity or greater. Installations will vary.



Product Diagram