

# Assembly Instructions

(Work station and assembly instructions for both twin size & full size loft bed work station)



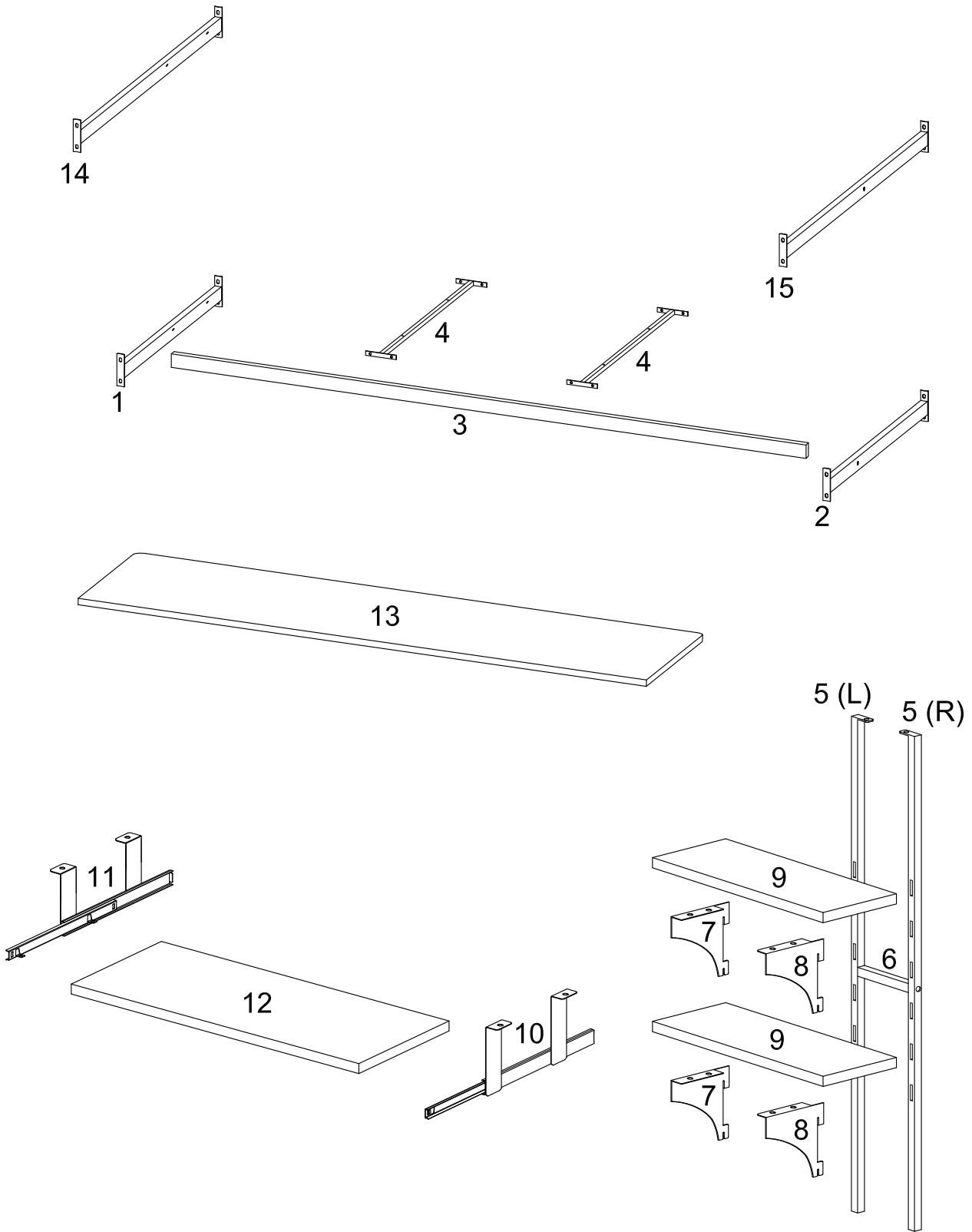
*Please visit our website for the most current instructions, assembly tips, report damage, or request parts.*

# Instruction Manual



## IMPORTANT INFORMATION MUST READ BEFORE ASSEMBLING PRODUCT

- Follow the information on the warnings appearing on the upper bunk end structure and on the carton. Do not remove warning label from bed.
- Use only a mattress which is 74-75" L x 37.5-38.5"W x 9"H on the upper bunk.
- Replacement Parts—Replacement parts, including additional guardrails, may be obtained from any of our dealers
- Follow the information on the warnings appearing on the upper bunk end structure and on the carton. DO NOT remove warning label from bed.
- Always use the recommended size mattress or mattress support, or both, to help prevent the likelihood of entrapment or falls.
- Surface of mattress must be at least 5 in. (127mm) below the upper edge of guardrails. Mattress must not exceed a maximum thickness of 9 inches.
- DO NOT allow children under 6 years of age to use the upper bunk.
- Periodically check and ensure that the guardrail, ladder, and other components are in their proper position, free from damage, and that all connectors are tight.
- DO NOT allow horseplay on or under the bed and prohibit jumping on the bed.
- Always use the ladder for entering and leaving the upper bunk.
- DO NOT use substitute parts. Contact the manufacturer or dealer for replacement parts.
- Use of a night light may provide added safety precaution for a child using the upper bunk.
- Always use guardrails on both long sides of the upper bunk. If the bunk bed will be placed next to the wall, the guardrail that runs the full length of the bed should be placed against the wall to prevent entrapment between the bed and wall.
- The use of water or sleep flotation mattresses is prohibited.
- STRANGULATION HAZARD—Never attach or hang items to any part of the bunk bed that are not designed for use with the bed; for example, but not limited to, hooks, belts and jump ropes.
- Prohibit more than one person on upper bunk.
- Keep these instructions for future reference.

# Parts List



# Hardware List

A		Ø1/4"x5/8"	Screw	22 pcs
B		Ø1/4"x16	Washer	30 pcs
C		Ø1/4"x1-1/2"	Screw	4 pcs
D		Ø1/4"x1/2"	Screw	12 pcs
E			Angle bracket	4 pcs
F		Ø4x25	Screw	4 pcs
G		Ø4x13	Screw	4 pcs
H		Ø1/4"x2-1/4"	Screw	2 pcs
J		Ø3x13	Screw	4 pcs
K		M4	Wrench	1 pc

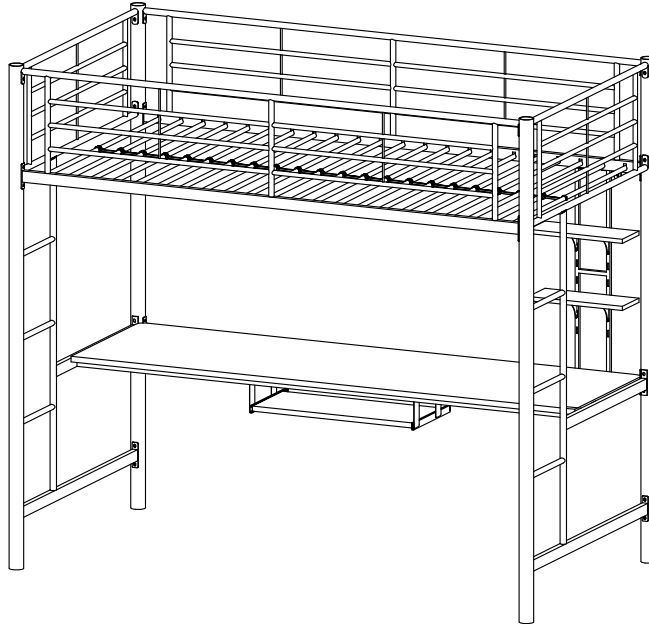
*The hardware quantities listed above are required for proper assembly.  
Some extra hardware may also have been included.*

# TWO ASSEMBLY OPTIONS

## Option A

(For twin size loft bed work station)

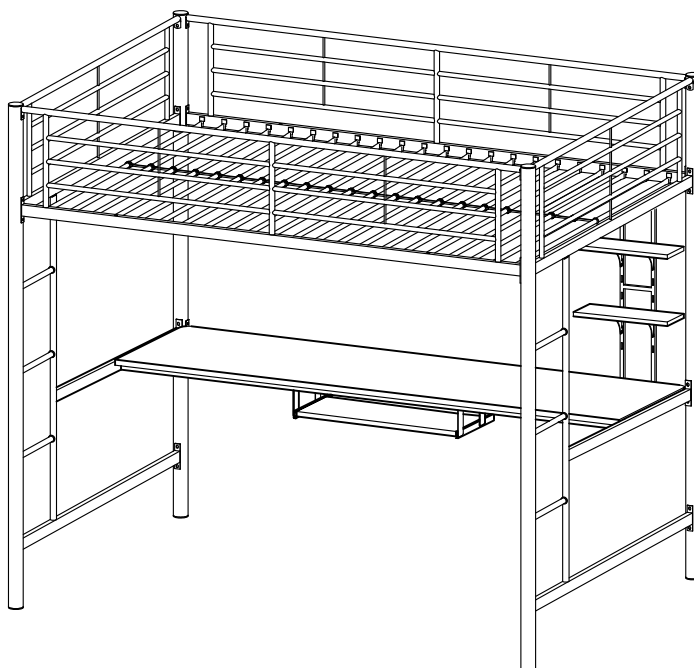
To build this option follow steps 1-2, then follow step 3A-5A, then follow step 6-11, Finally follow step 12A-13A.



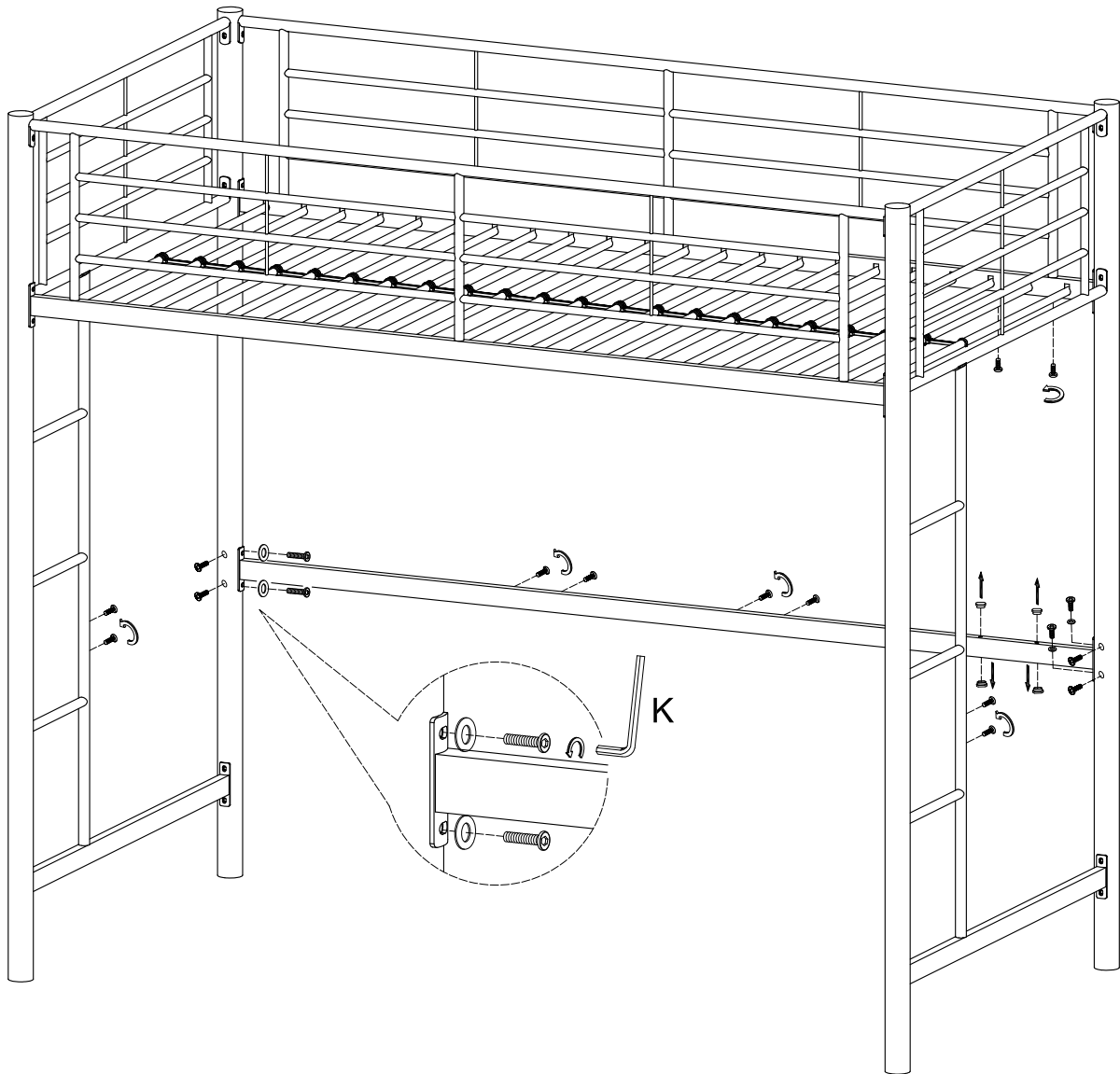
## Option B

(For full size loft bed work station)

To build this option follow steps 1-2, then follow step 3B-5B, then follow step 6-11, Finally follow step 12B-13B.

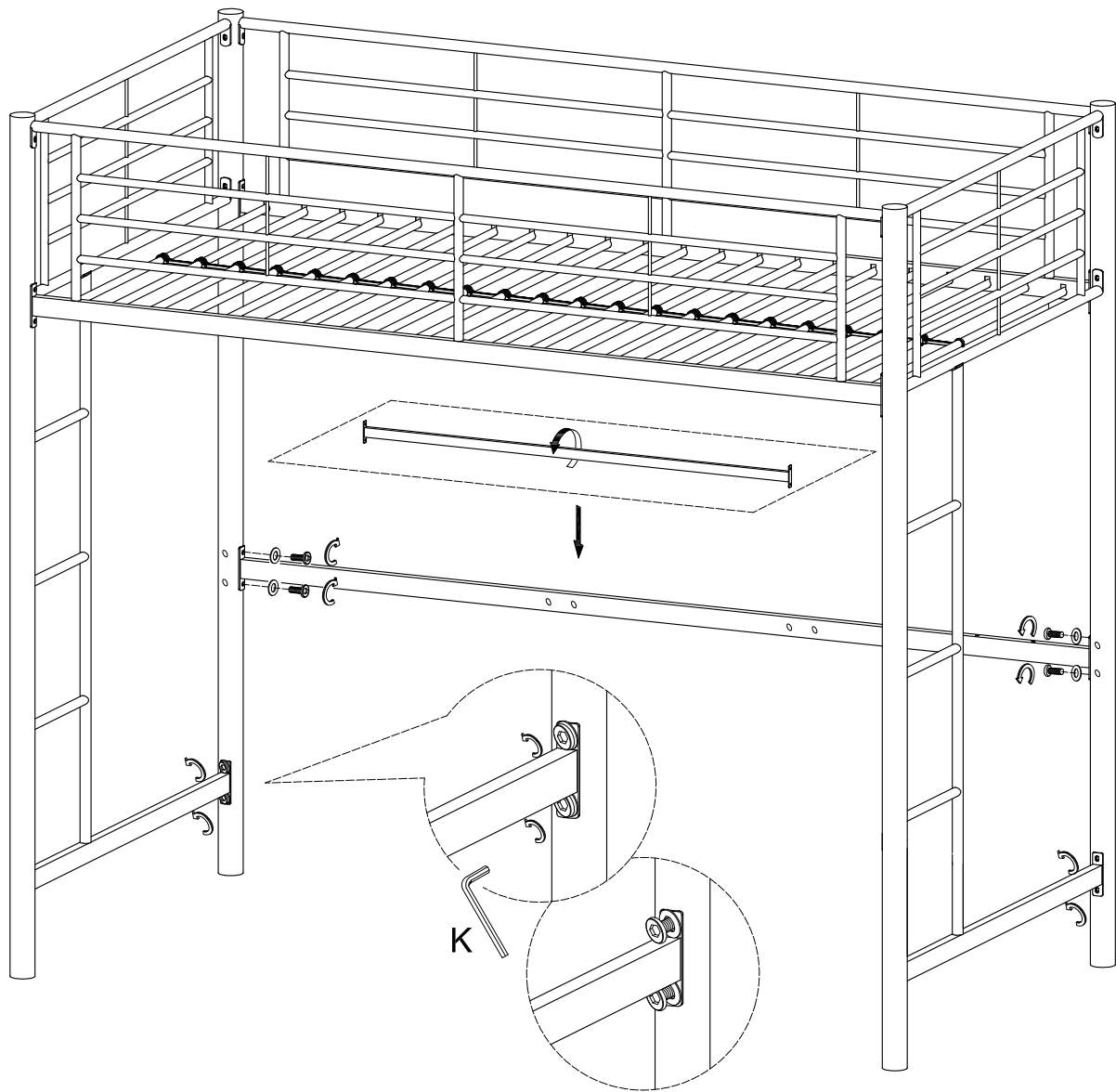


# Step 1



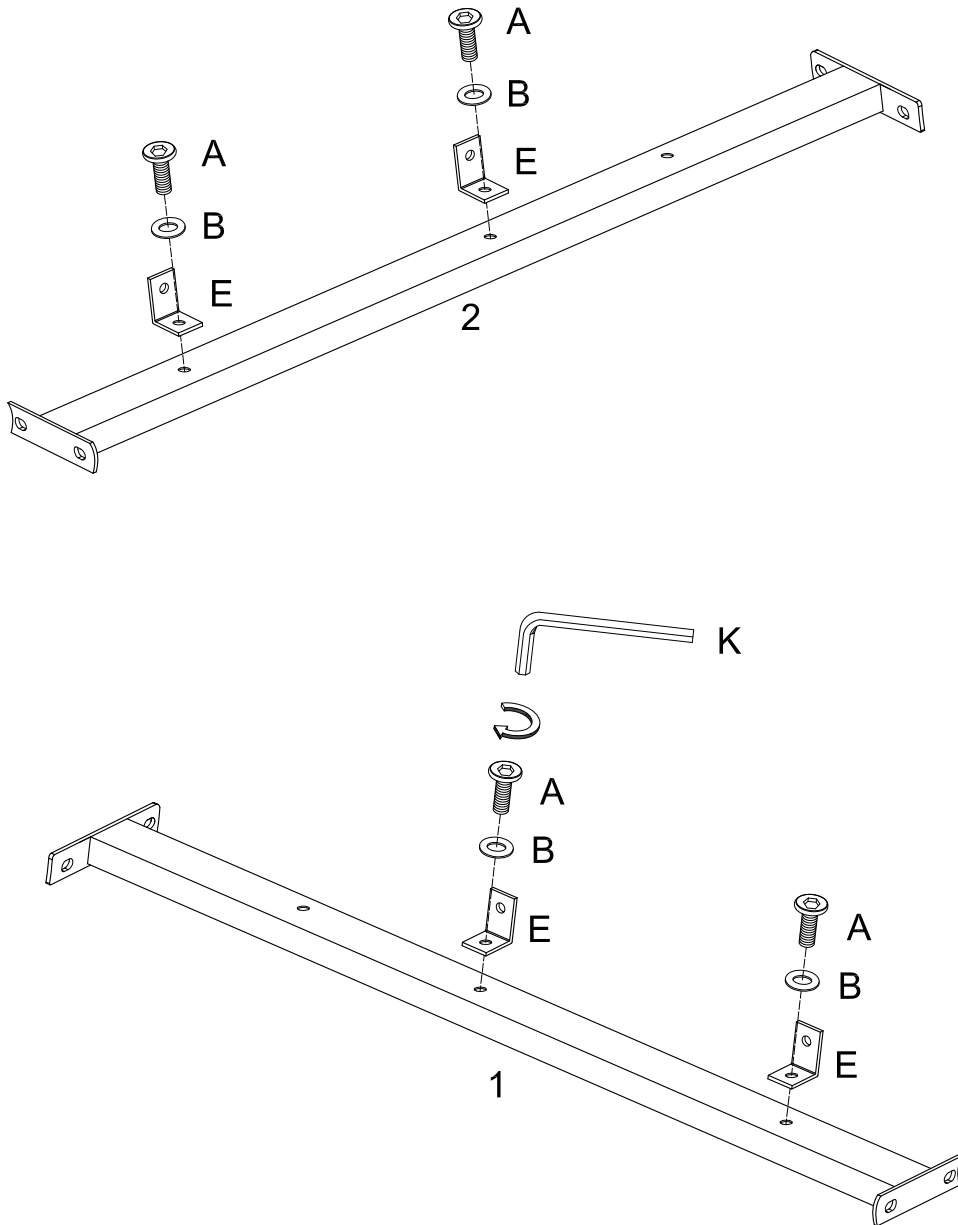
Remove the bolts, washers and plastic plugs shown above from the bunk bed frame.

## Step 2



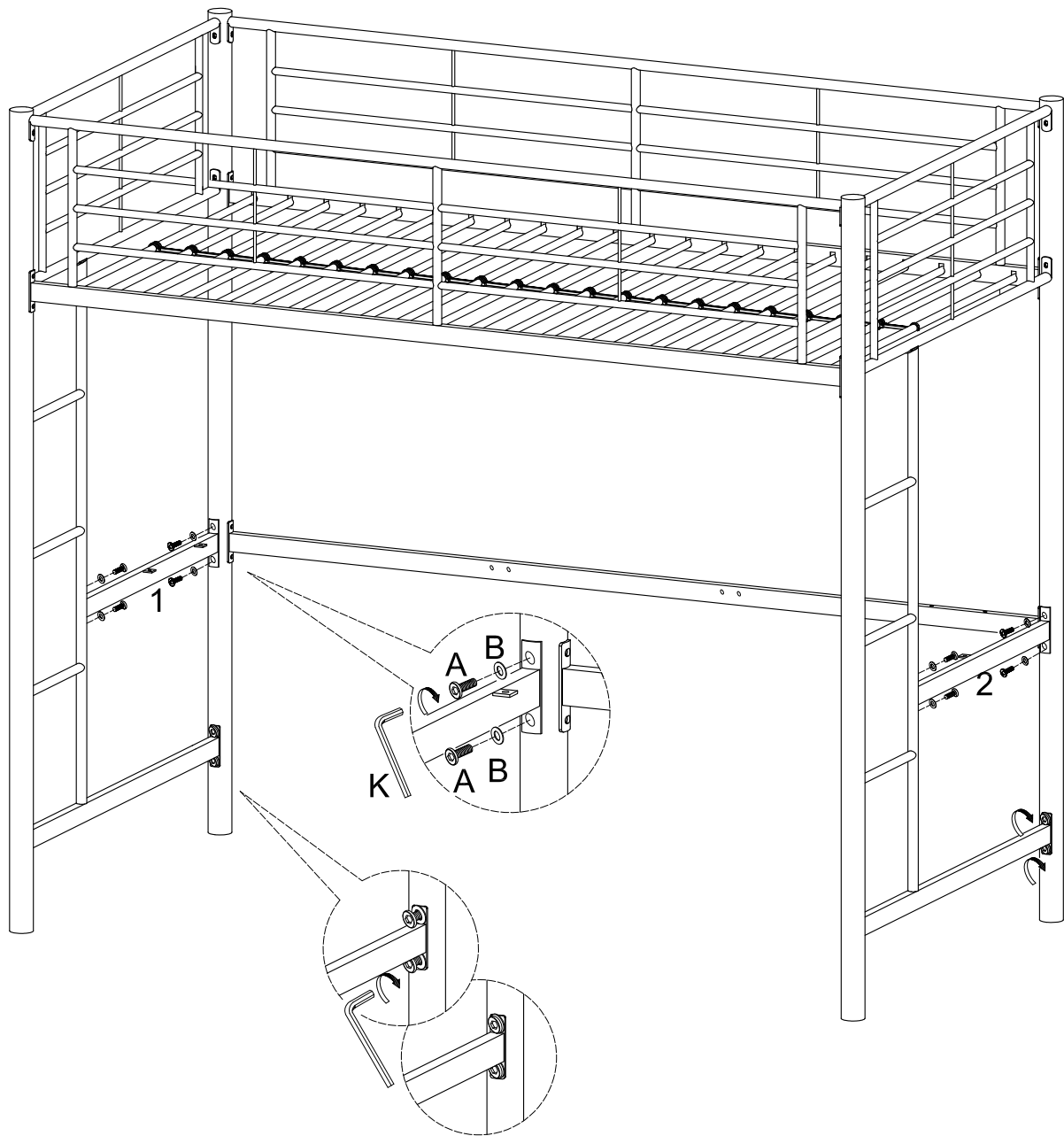
Remove the long crossbar from the bunk bed frame and turn it over so the screw holes are facing forward. Reattach the long crossbar to the bunk bed frame using the bolts and washers from Step 1. Loosen, but do not remove the bolts that anchor the short crossbars to the bunk bed frame.

# Step 3A



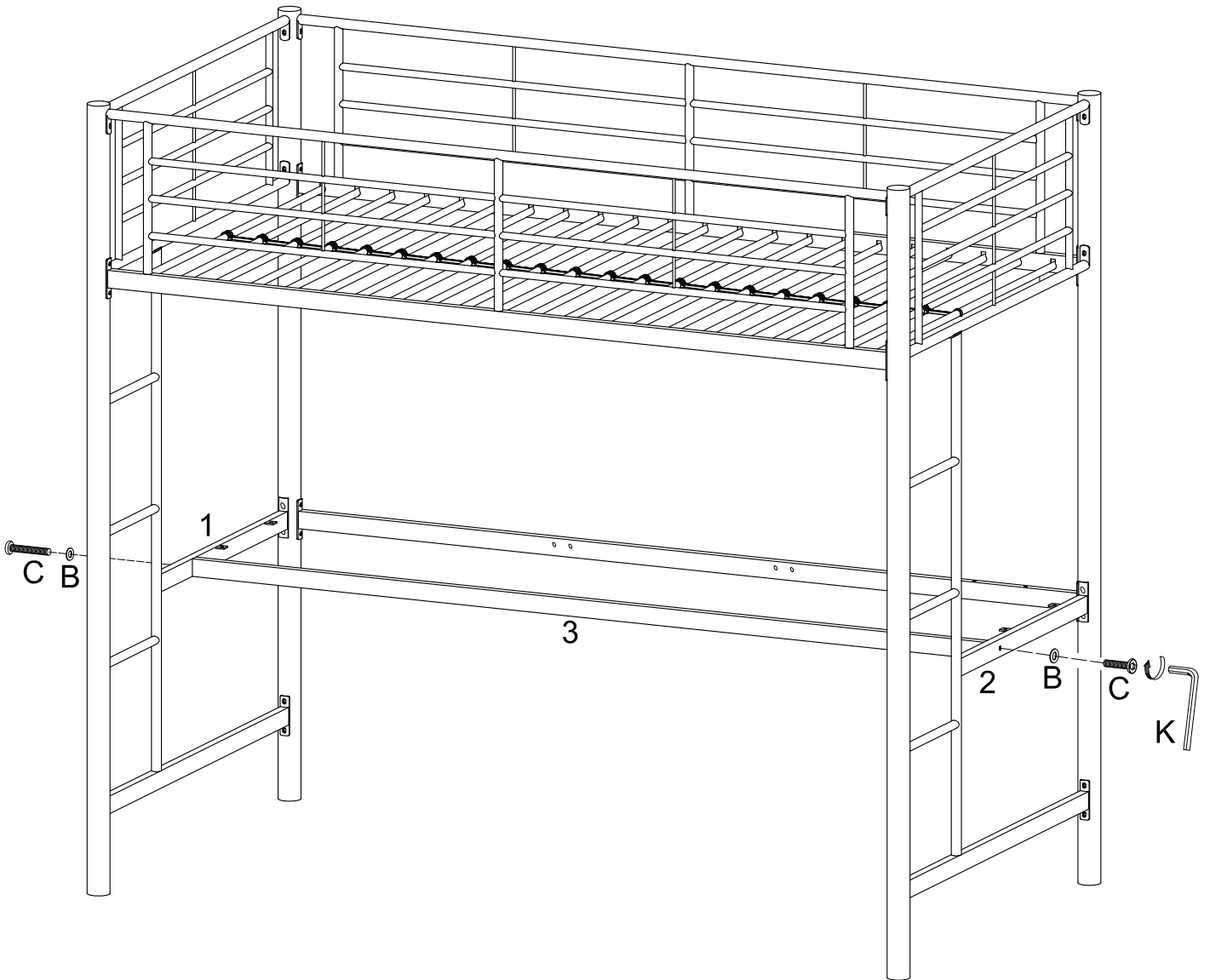
Attach angle brackets (E) to crossbars (1,2) using medium bolts (A) and washers (B).

# Step 4A



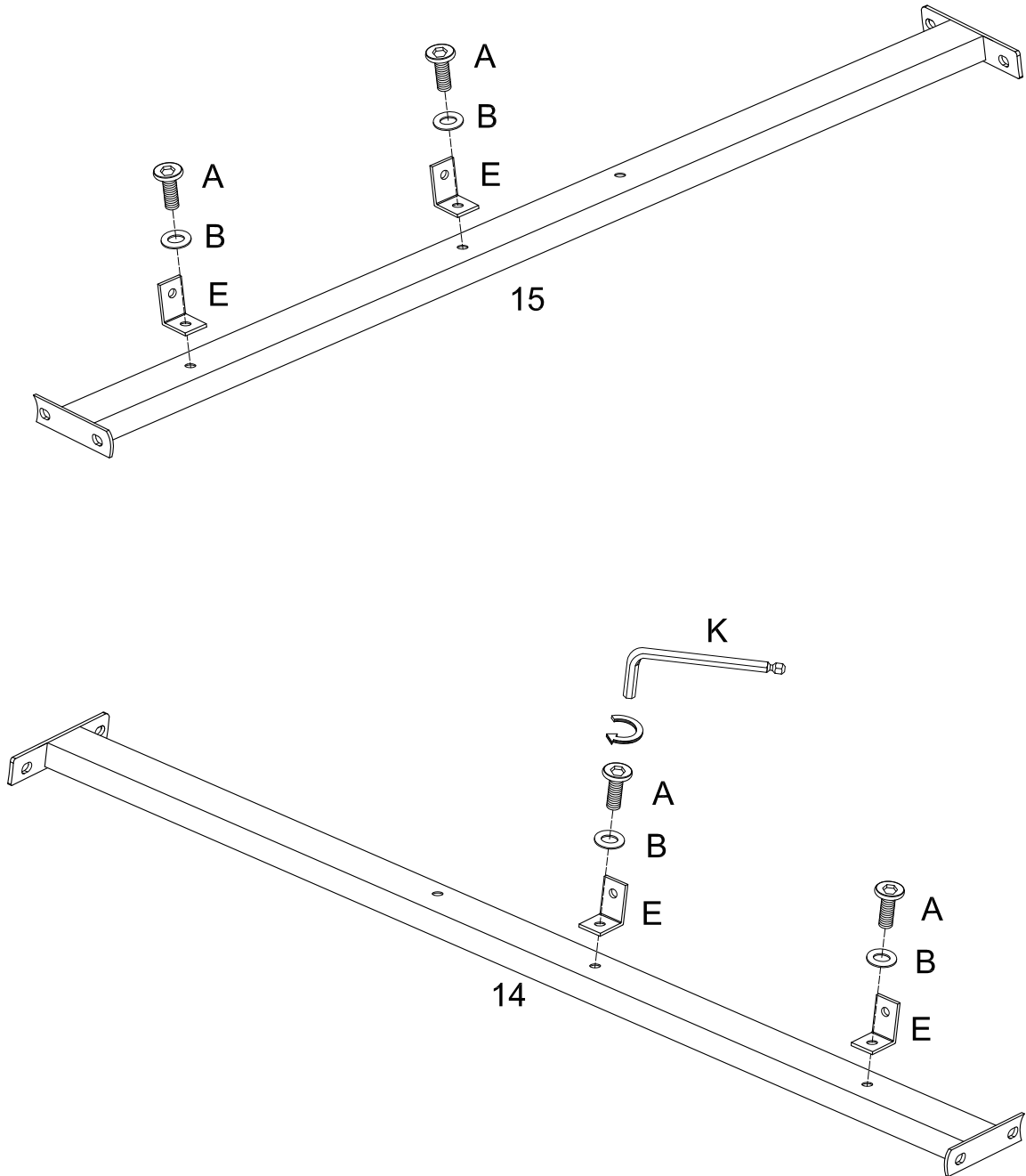
Attach crossbars (1,2) to the bunk bed frame using medium bolts (A) and washers (B).  
Retighten the bolts that secure the short crossbars.

# Step 5A



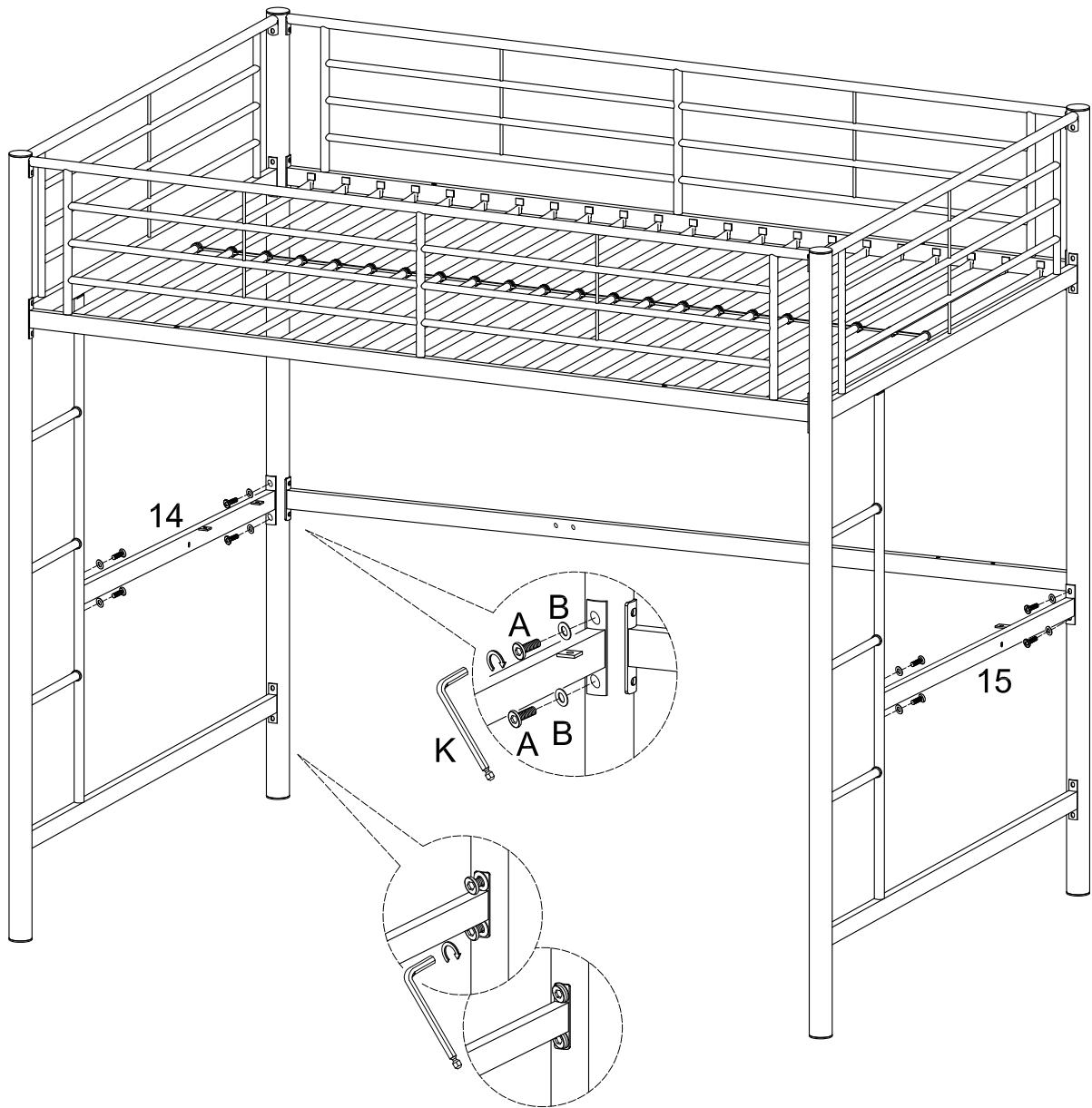
Attach crossbar (3) to the bunk bed frame using large bolts (C) and washers (B).

# Step 3B



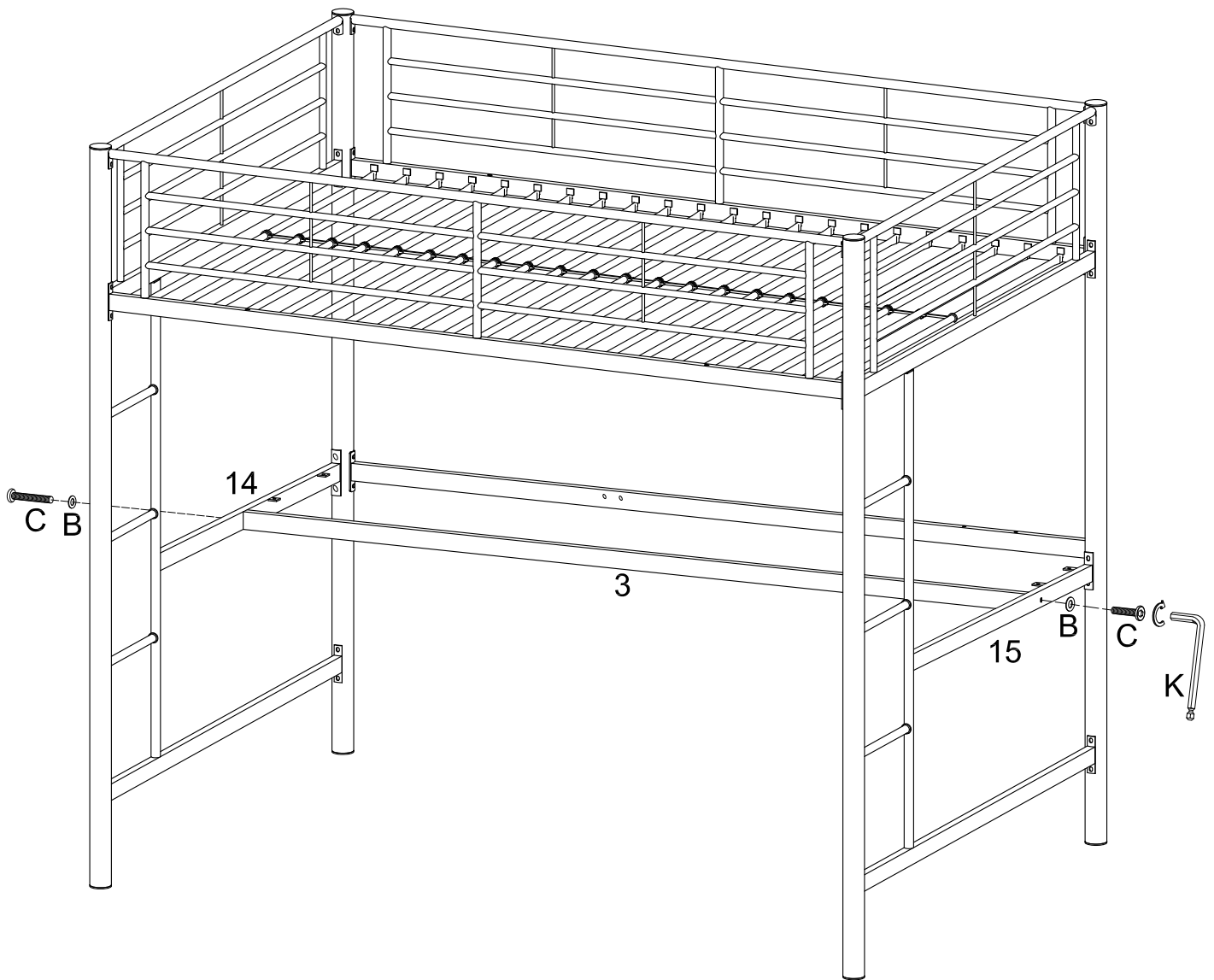
Attach angle brackets (E) to crossbars (14,15) using medium bolts (A) and washers (B).

## Step 4B



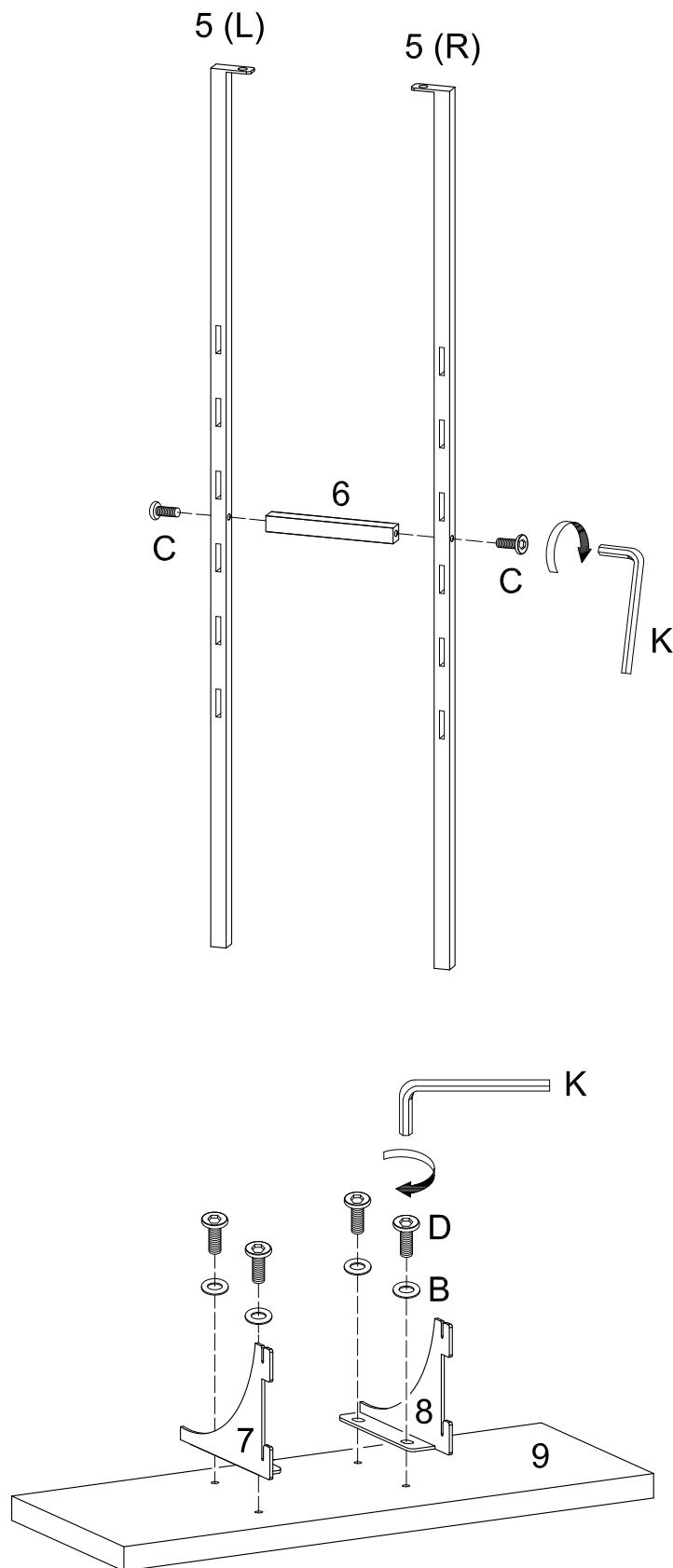
Attach crossbars (14,15) to the bunk bed frame using medium bolts (A) and washers (B).  
Retighten the bolts that secure the short crossbars.

# Step 5B



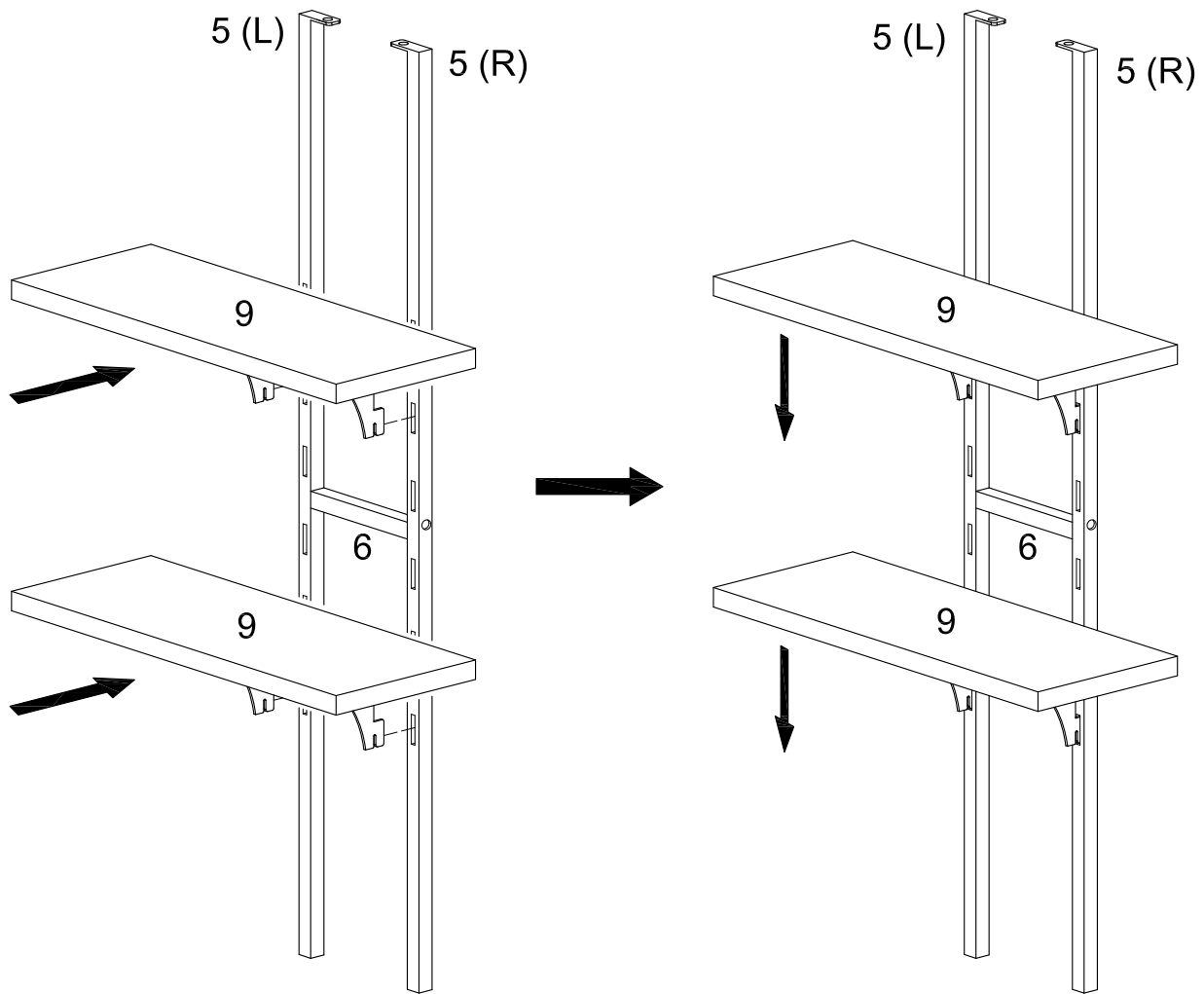
Attach crossbar (3) to the bunk bed frame using large bolts (C) and washers (B).

# Step 6



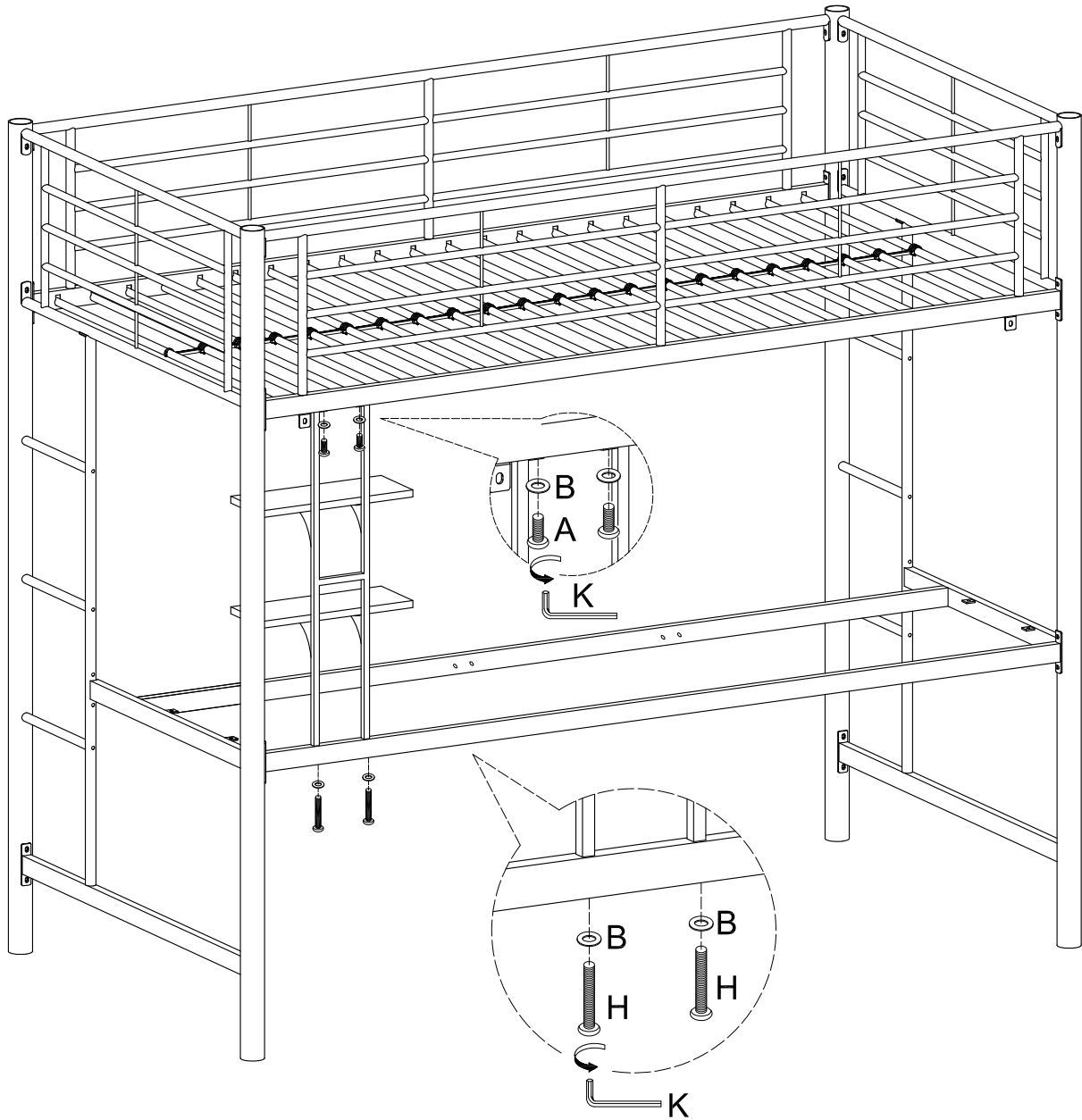
Attach shelf racks (5L,5R) to shelf crossbar (6) using large bolts (C). Build each shelf by attaching shelf supports (7,8) to shelf top (9) using small bolts (D) and washers (B).

# Step 7



Attach the assembled shelves from Step 6 to shelf racks (5L,5R) by inserting them in at the desired height and gently pushing down to lock in place.

# Step 8



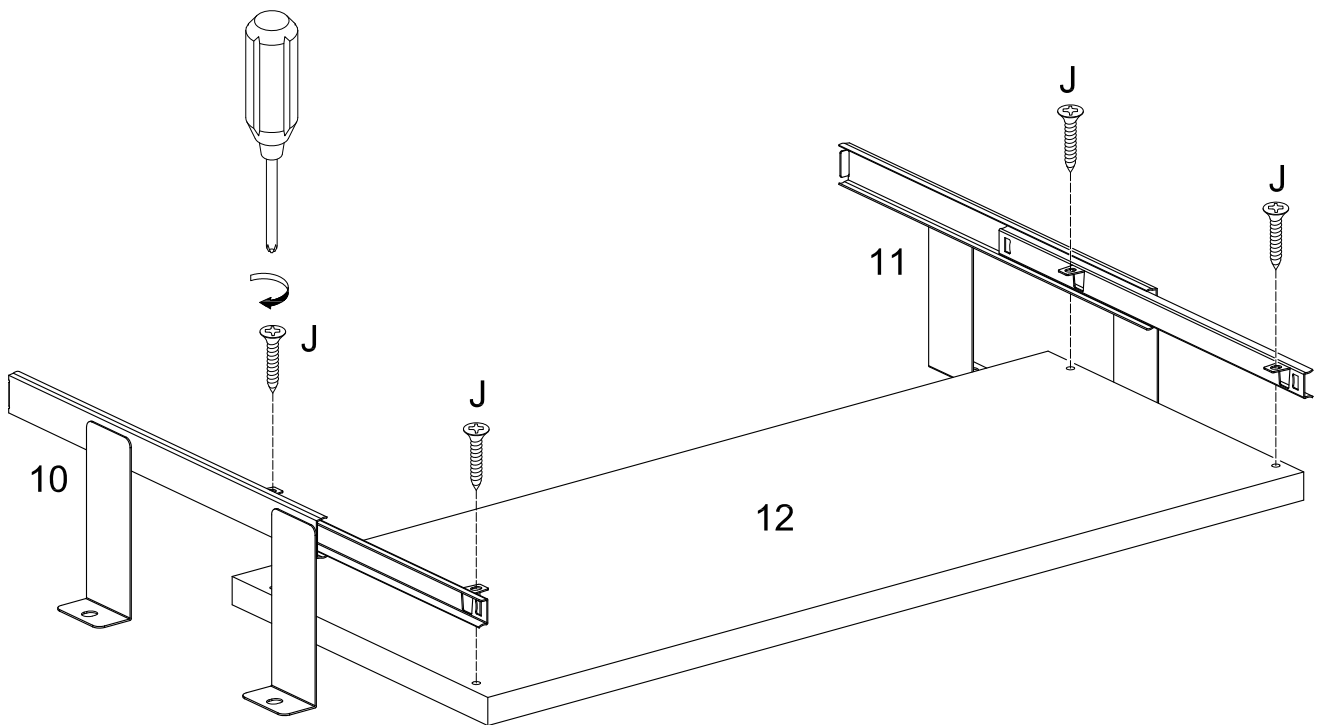
Attach the shelf assembly from Step 7 to the bunk bed frame using extra-large bolts (H) and washers (B).

# Step 9



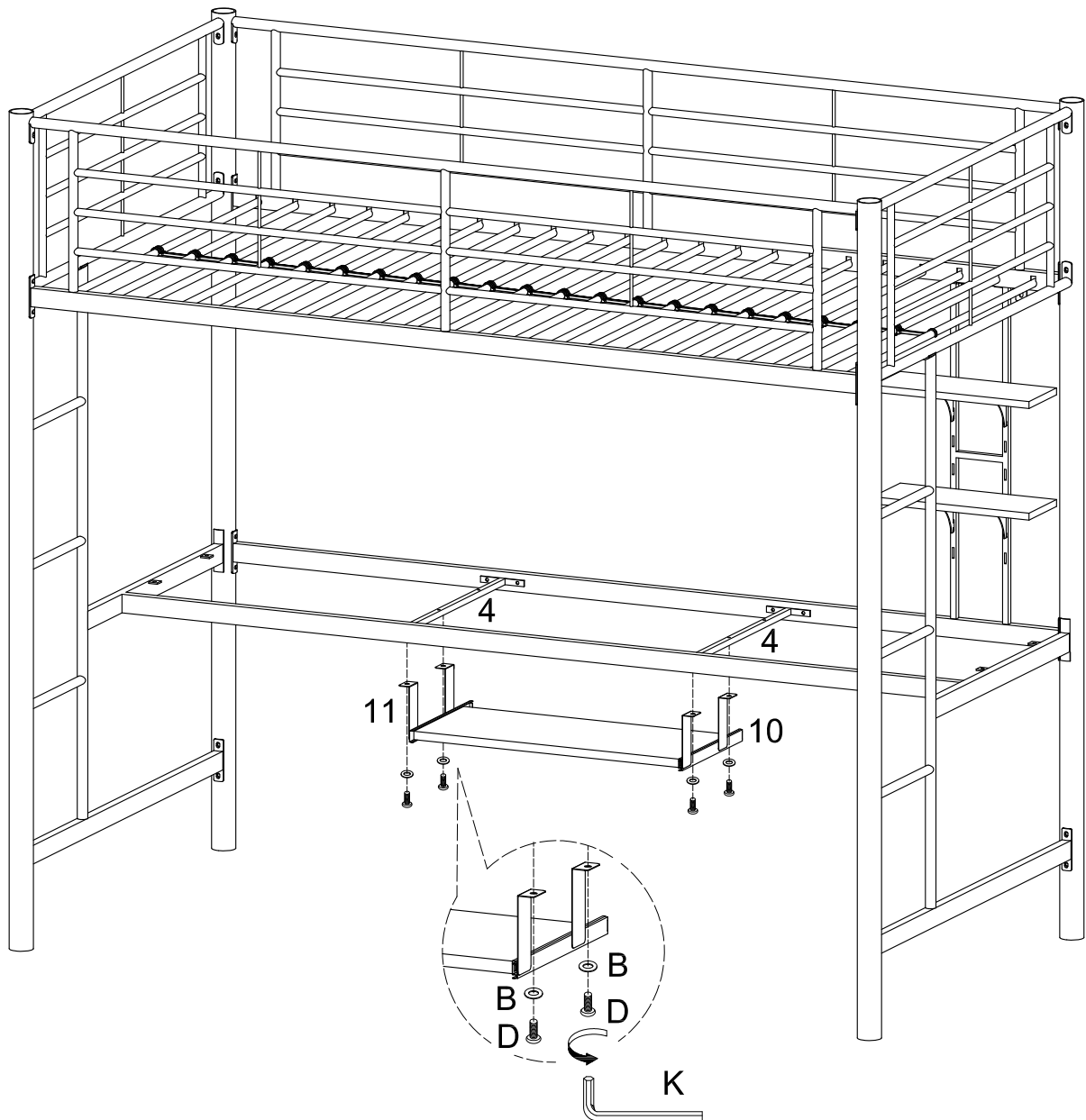
Attach desk crossbars (4) to the bunk bed frame using medium bolts (A).

# Step 10



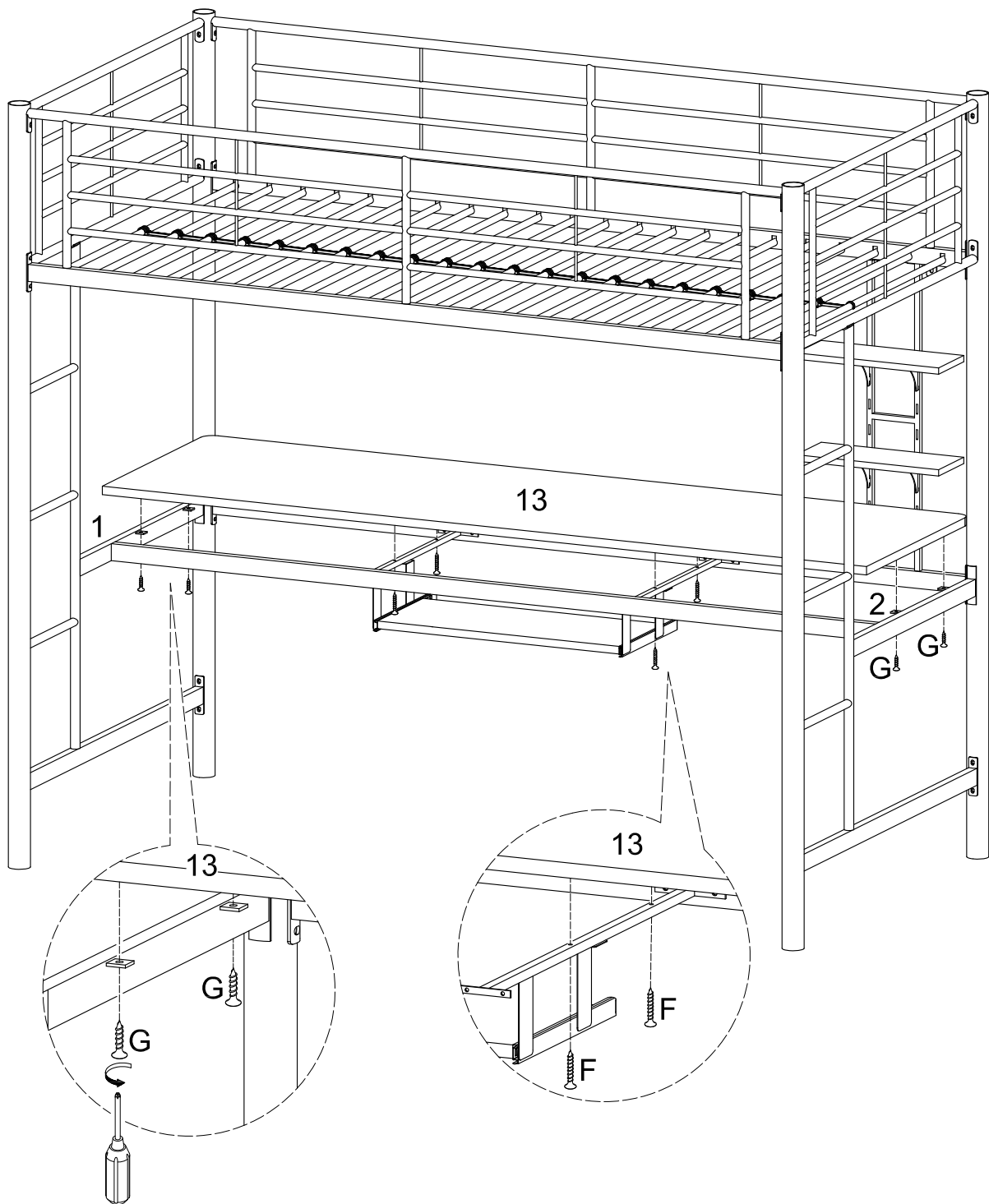
Attach keyboard sliders (10,11) to keyboard tray (12) using small screws (J).

# Step 11



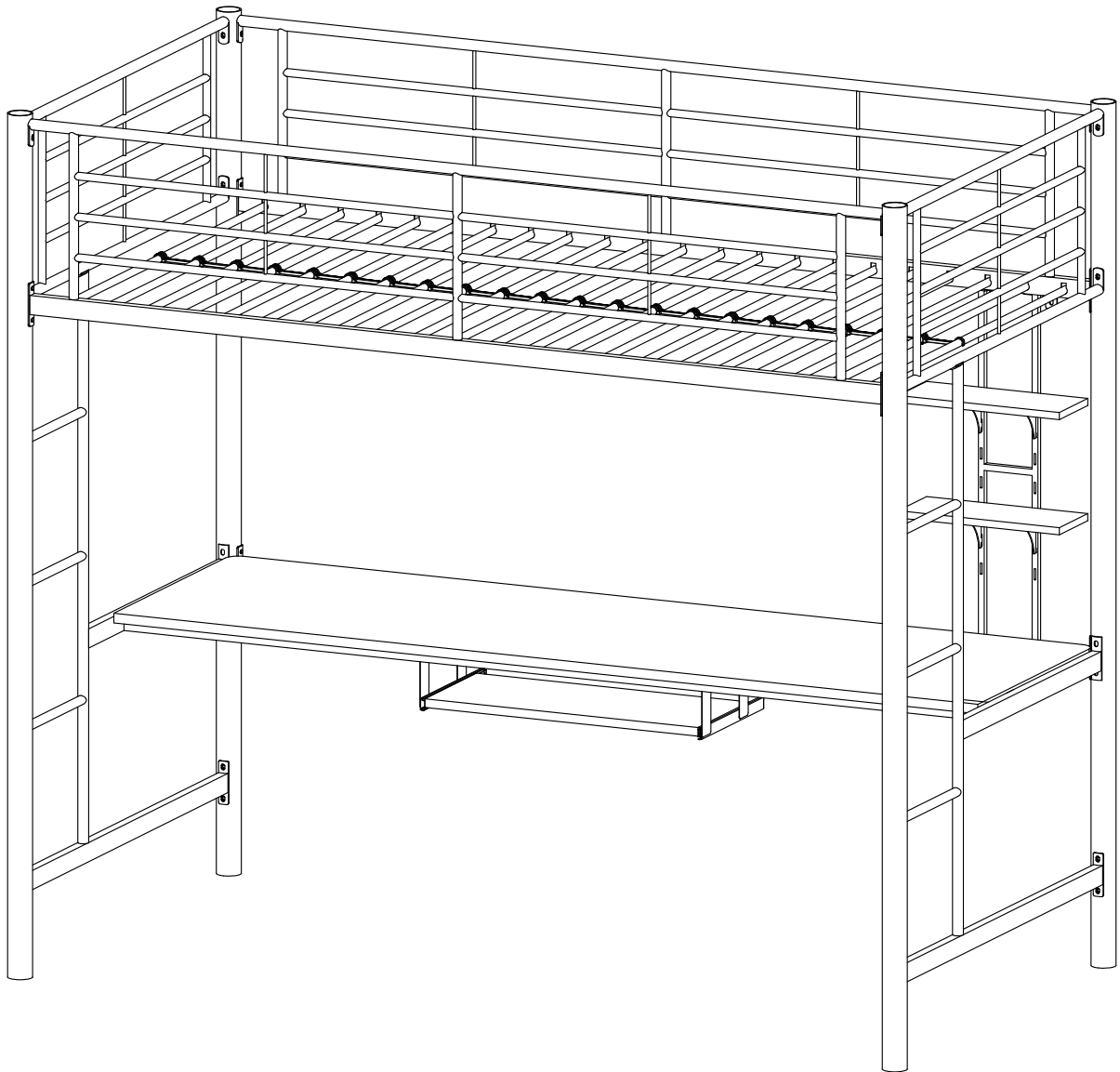
Attach the keyboard assembly from Step 10 to crossbars (4) using small bolts (D) and washers (B).

# Step 12A



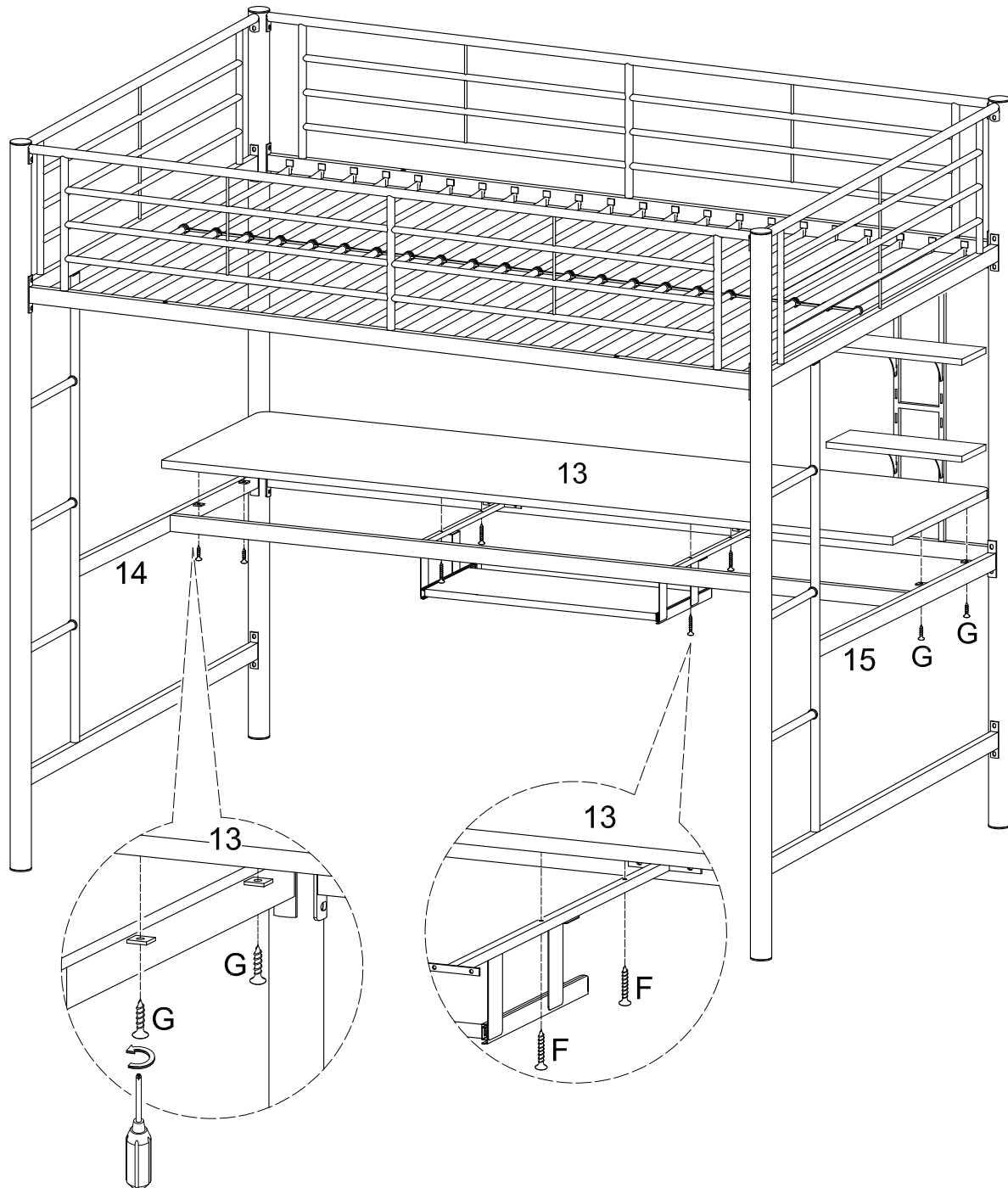
Attach the desk top (13) to the bunk bed frame using medium screws (G) on either end, and large screws (F) at the keyboard tray assembly.

# Step 13A



Final Assembly

# Step 12B



Attach the desk top (13) to the bunk bed frame using medium screws (G) on either end, and large screws (F) at the keyboard tray assembly.

# Step 13B



Final Assembly