

UNDER THE SINK BATHROOM CABINET

Assembly Instruction

1hr

APPROXIMATE ASSEMBLY TIME

2 PEOPLE ASSEMBLY

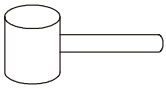


**FLOOR AREA
1MX1M**

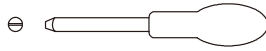


REQUIRED ASSEMBLY SPACE

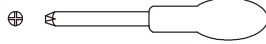
REQUIRED ASSEMBLY TOOLS



SOFT RUBBER HAMMER(NOT PROVIDED)



SLOTTED SCREWDRIVER(NOT PROVIDED)



POZI SCREWDRIVER(NOT PROVIDED)



MEASURING TAPE(NOT PROVIDED)

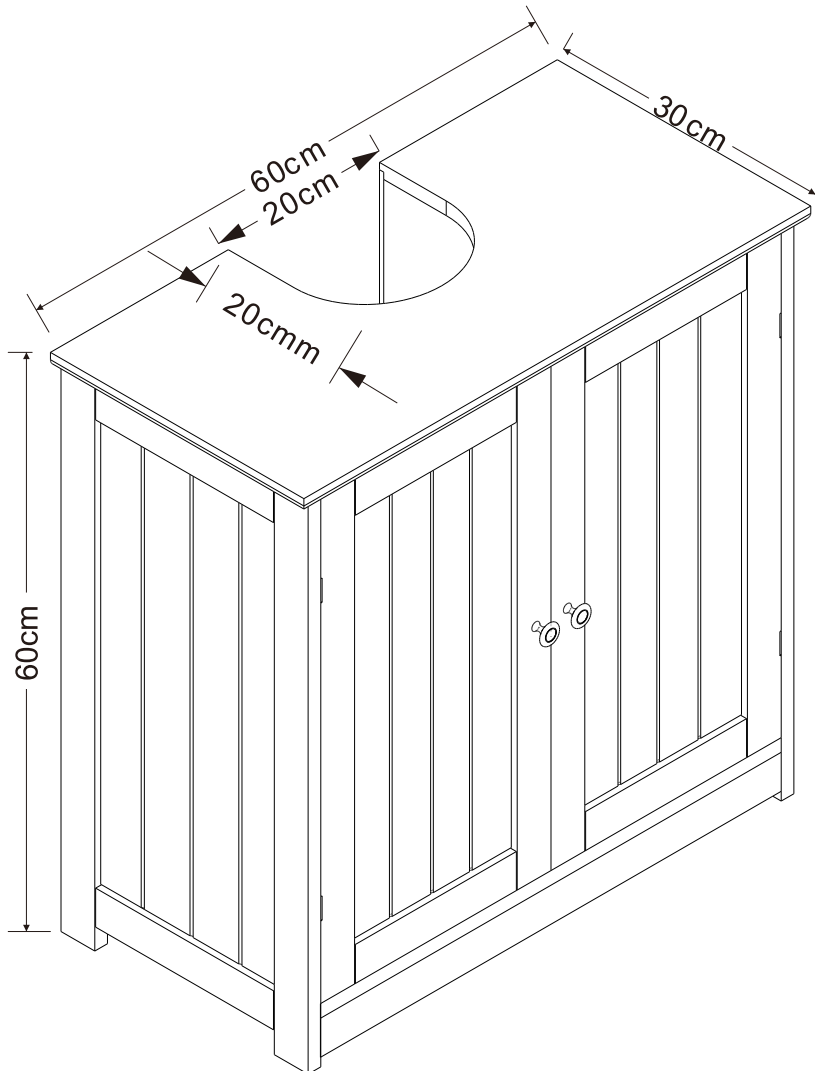


ELECTRIC DRILL(NOT PROVIDED)



LEVEL RULER (NOT PROVIDED)

ASSEMBLED DIMENSIONS



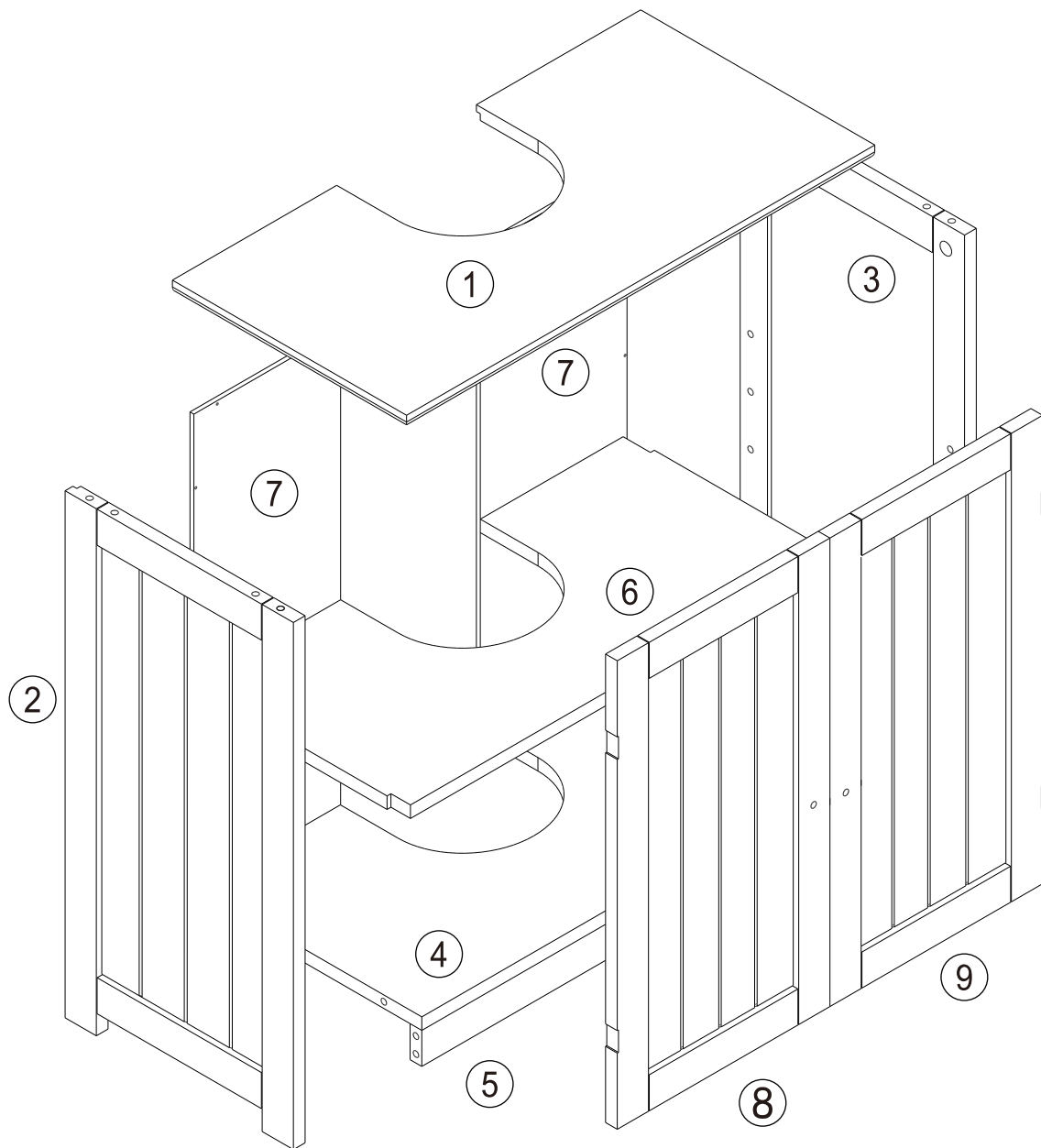
Max. Loading: 10kg

1 - 8

UNDER THE SINK BATHROOM CABINET

Assembly Instruction

PART LIST



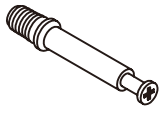


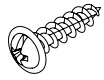
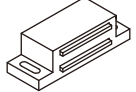


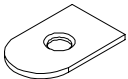


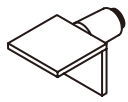
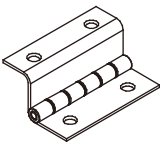
Max. Loading: 10kg

2 - 8

UNDER THE SINK BATHROOM CABINET

Assembly Instruction

HARDWARE LIST

A	x8	B	x8	C	x8	D	x16	E	x1
									
Dia. 6x35mm		Dia. 15x10mm		Dia. 6x30mm		Dia. 3x12mm			
QUICKFIT		CAM LOCK		WOODEN DOWEL		SCREW		MAGNET	
F	x2	G	x18	H	x2	I	x2	J	x2
									
Dia. 3x14mm		Dia. 3x12mm							
SCREW		SCREW		MAGNET STRIP		KNOB		BOLT	
K	x4	L	x4						
									
SHELF SUPPORTER		HINGE							

UNDER THE SINK BATHROOM CABINET

Assembly Instruction



Safety Advice and Care Advice

KEEP ALL THE SAFETY ADVICE AND INSTRUCTIONS IN A SAFE PLACE FOR FUTURE REFERENCE!



WARNING! RISK OF LOSS OF LIFE OR ACCIDENT

TO INFANTS AND CHILDREN! Never leave children unsupervised with the packaging materials. Danger of suffocation.

CAUTION! RISK OF INJURY! Make sure that all parts are undamaged and assembled correctly. Improper assembly carries a risk of injury. Damaged parts may affect the safety and function of the product.

- Make sure that this product is standing on a solid, level surface.

CAUTION! Do not leave children unsupervised! The product is not a climbing frame or a toy!

Make sure that nobody, especially a child, climbs on or leans against the product.

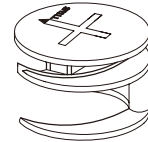
- Distribute weight evenly across the product so that it cannot overturn.
- Do not load more than a total of 10kg onto the product otherwise there is a risk of injury and/or damage to the product.
- Check that the product is stable before using it.
- Do not lift or move the product when it is loaded.
- Keep away from fire and inflammable objects.
- Wipe clean with a damp cloth.
- Make sure that all screws and fixings are secure before use.
- Do not place very hot or very cold items on the surface(s) unless adequately thick table mats are used.
- Please periodically check all fittings and re-tighten as necessary.
- Domestic use only.

UNDER THE SINK BATHROOM CABINET

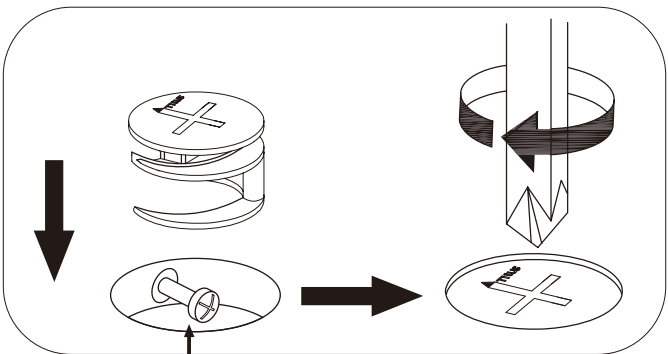
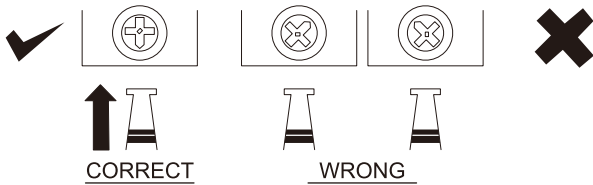
Assembly Instruction

SPECIAL TIPS FOR FITTING CAM-LOCKS AND QUICKFIT

CAM-LOCK



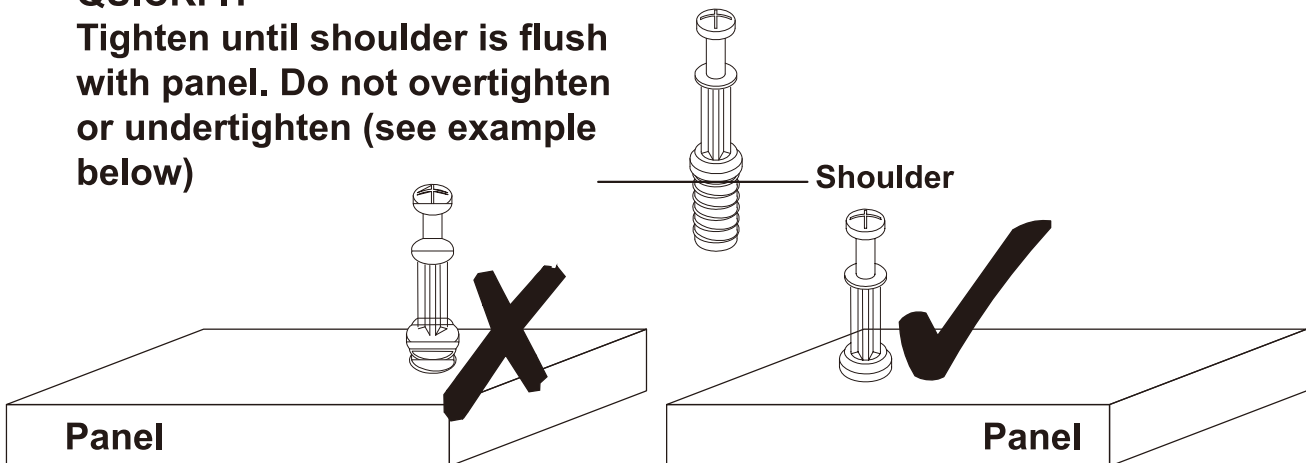
WHEN FITTING CAMLOCK
ENSURE STARTING POSITION IS CORRECT
BEFORE YOU INSERT CONNECTING QUIRKFIT
TURN CLOCKWISE UNTIL SECURE



Quickfit head needs to be in centre

QUICKFIT

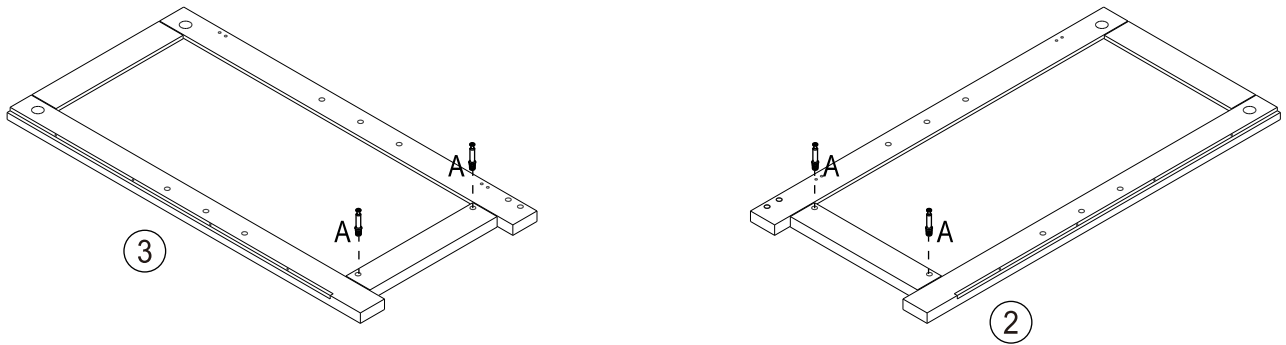
Tighten until shoulder is flush with panel. Do not overtighten or undertighten (see example below)



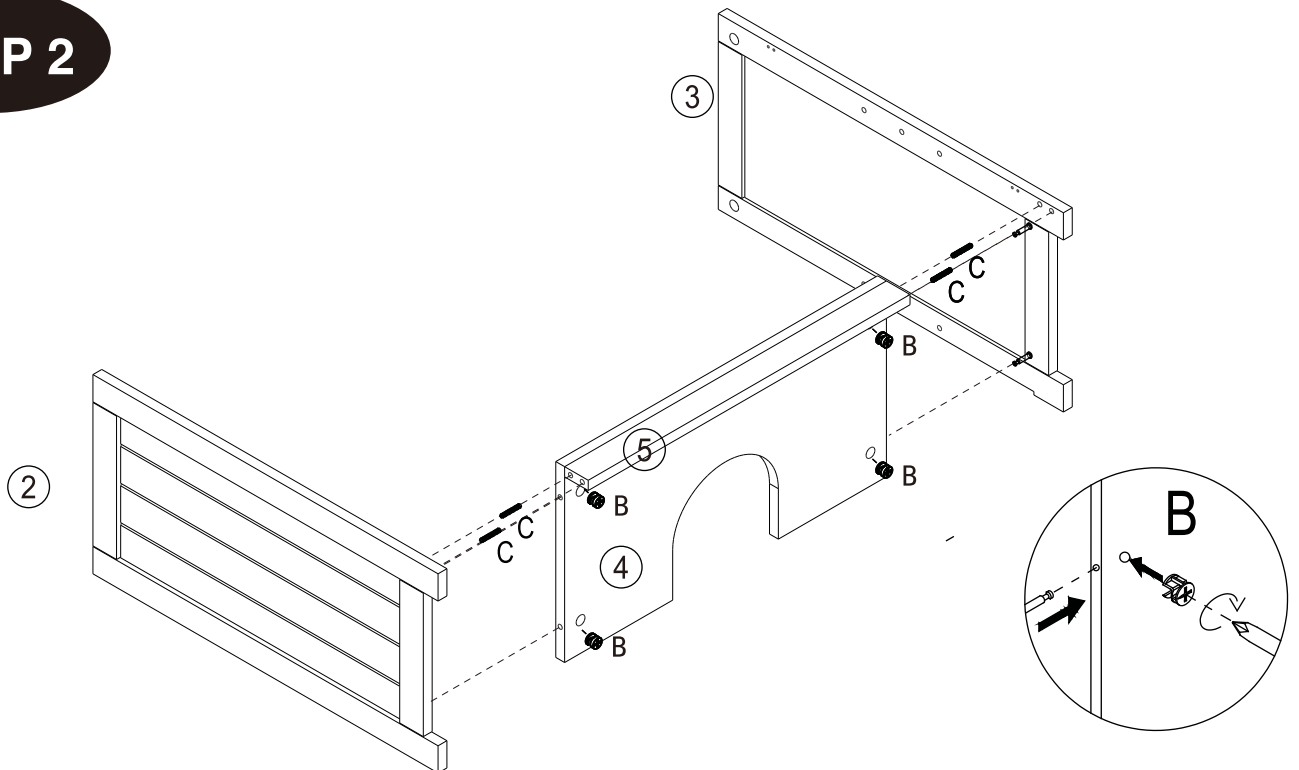
UNDER THE SINK BATHROOM CABINET

Assembly Instruction

STEP 1



STEP 2



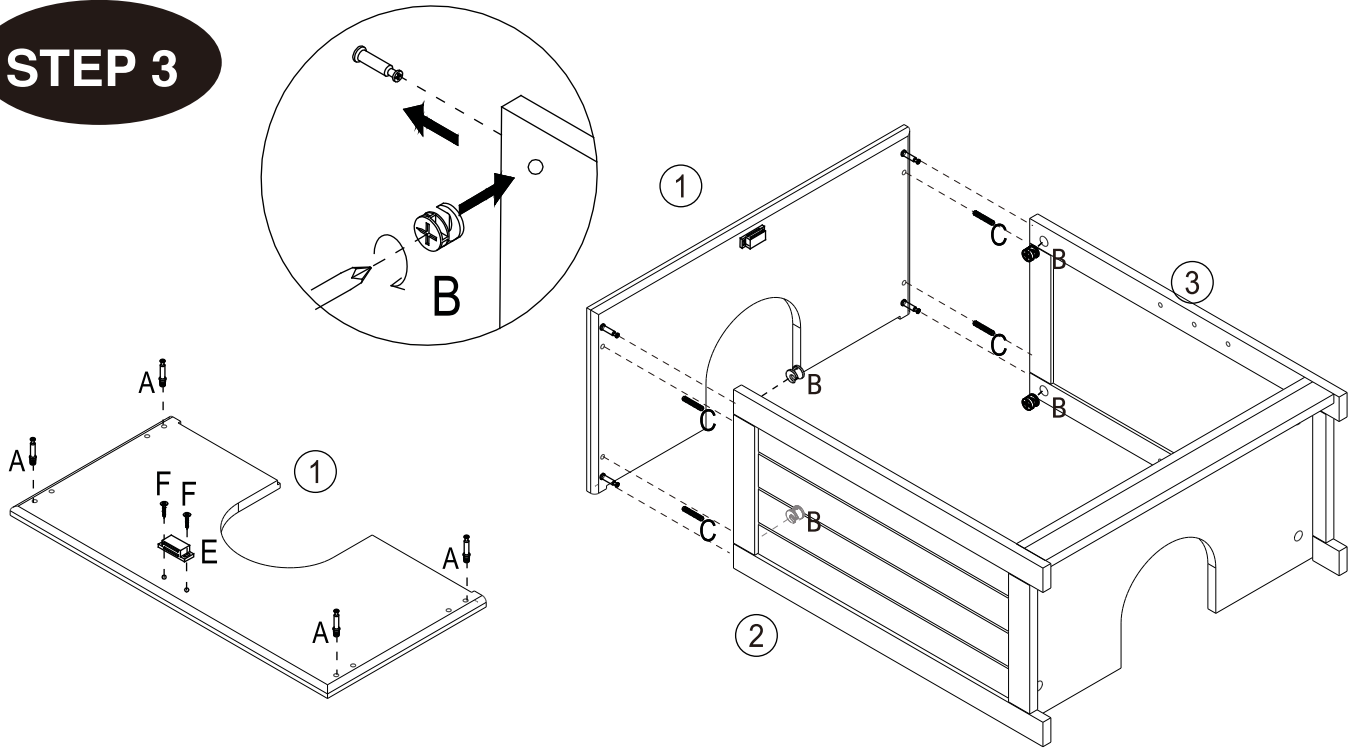
Max. Loading: 10kg

6 - 8

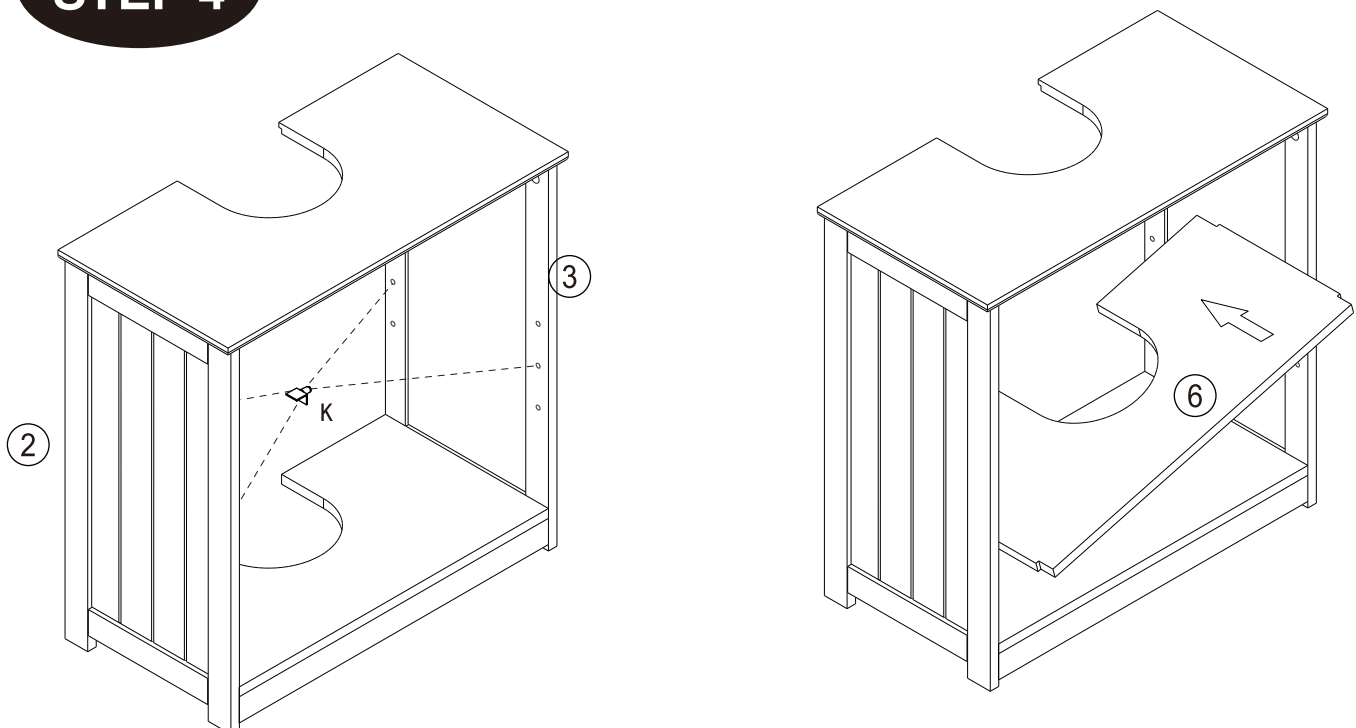
UNDER THE SINK BATHROOM CABINET

Assembly Instruction

STEP 3



STEP 4

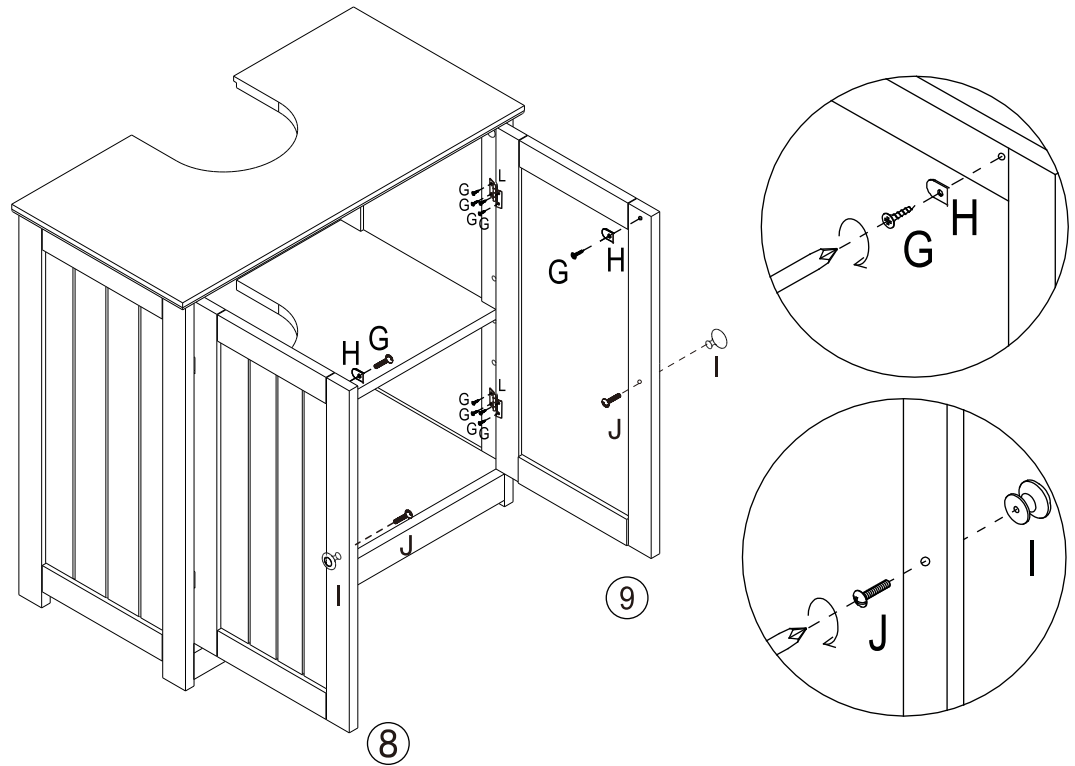


Max. Loading: 10kg

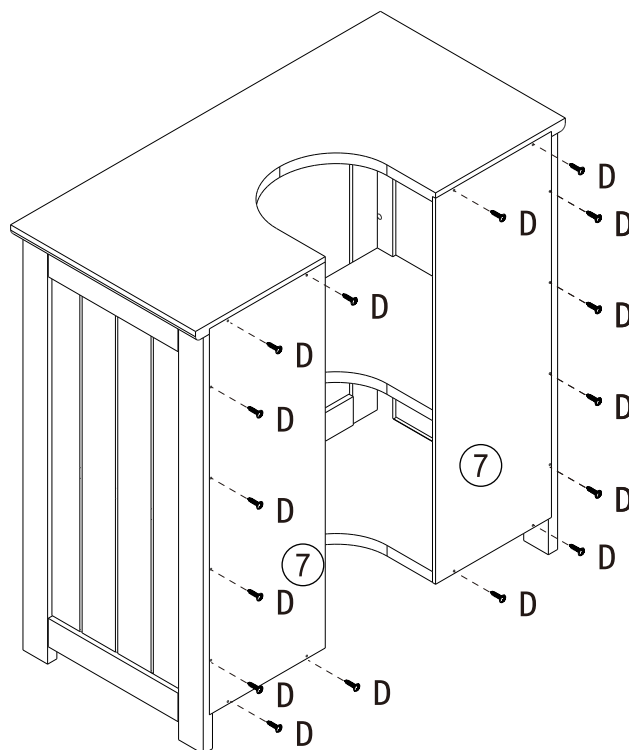
UNDER THE SINK BATHROOM CABINET

Assembly Instruction

STEP 5



STEP 6



Max. Loading: 10kg

8 - 8