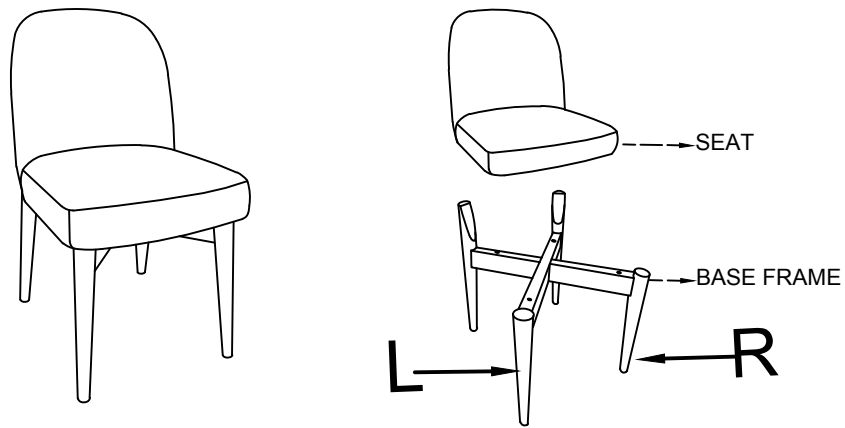
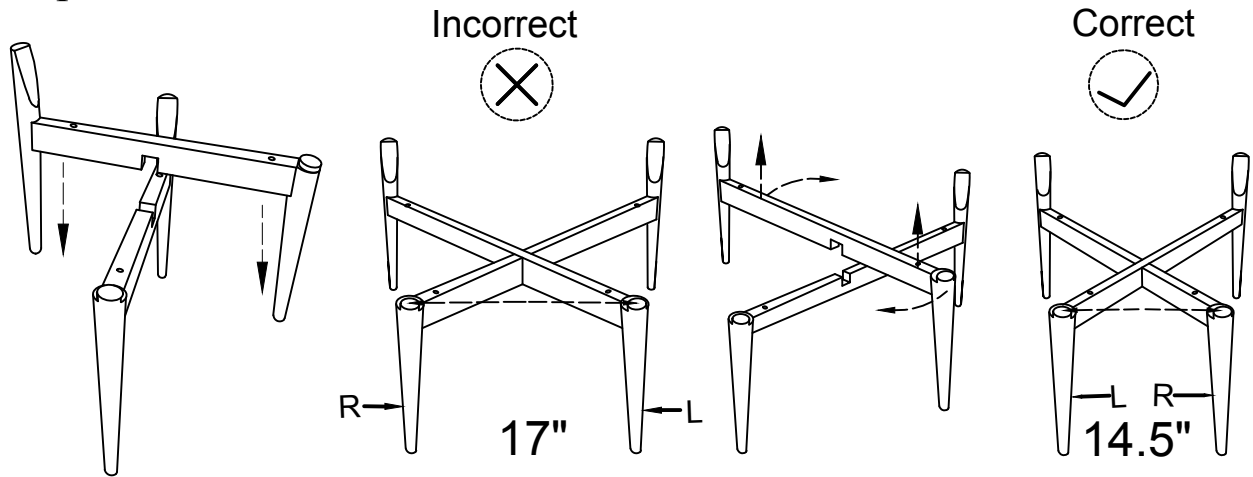


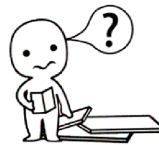
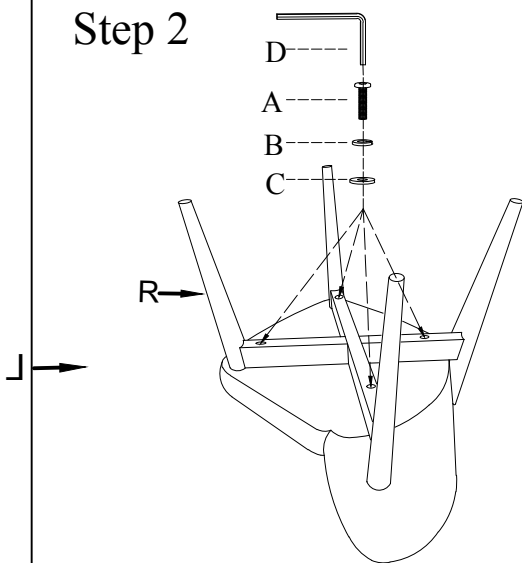
ASSEMBLY INSTRUCTIONS



Step 1

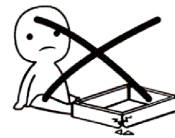


Step 2



IMPORTANT INFORMATION!

please read the entire manual before starting to assemble and/or using this product. follow the manual thoroughly and keep it for further reference.



AVOID SCRATCHES!

In order to avoid scratching this furniture should be assembled on a soft layer- could be a rug.



IMPROVE EFFICIENCY!

Try to find a partner to install with you, which can speed up the installation efficiency and shorten the time.

HARDWARE LIST

| | | | | | | | |
|---|--|---------------------------|------|---|--|---------------------|------|
| A | | Bolt (Ø1/4"*3") | 4pcs | D | | Allen Wrench (4mm) | 1pc |
| B | | Lock Washer (Ø1/4") | 4pcs | | | Foot Pads (Ø20*3mm) | 4pcs |
| C | | Flat Washer (Ø1/4"*Ø3/4") | 4pcs | | | | |