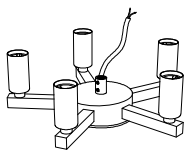


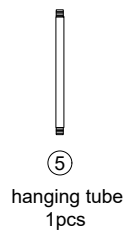
② metal frame 1pcs



① light fixture 1pcs

③ grub screw 2pcs

④ hex key 1pcs



⑤ hanging tube 1pcs



⑥ chain 1pcs

⊗ X 1PCS

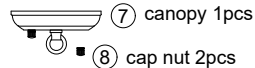
⊗ X 1PCS

⌋ X 3PCS

⌋ X 3PCS

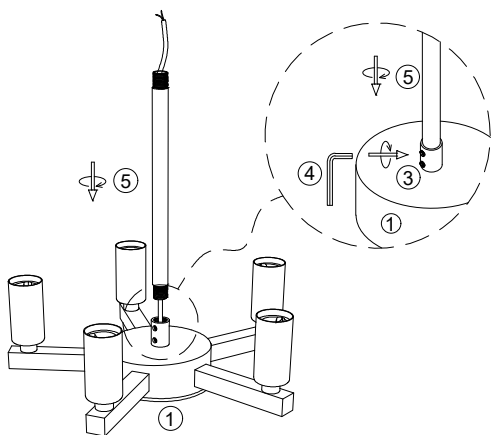
⌋ X 3PCS

⌋ X 3PCS

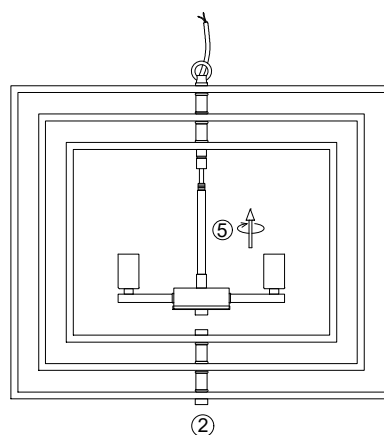


⑦ canopy 1pcs

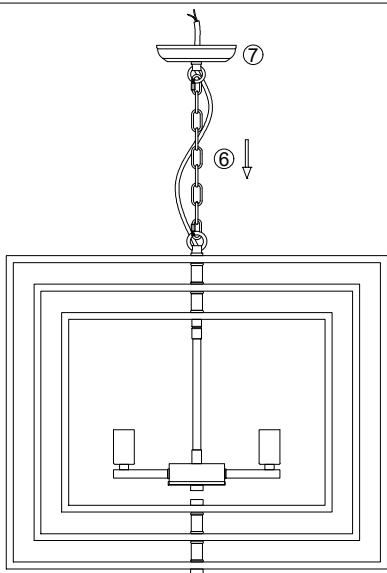
⑧ cap nut 2pcs



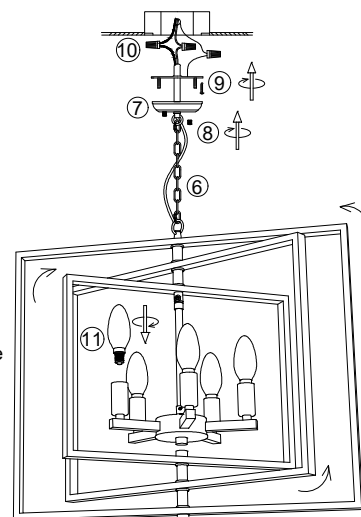
1. Let the wire of the fixture ① go through the hanging tube ⑤, rotate to install the tube ⑤ to the fixture ①, fasten it with grub screw ③ by rotate hex key ④.



2. Let the wire go through the metal frame ②, rotate to install the fixture to the metal frame.



3. Hang the fixture to the canopy ⑦ with chain ⑥, let the wire go through the chain ⑥ and canopy ⑦.



adjust the frame to the direction as you want.

4. Install the bracket to the ceiling junction box with screw ⑨.
5. Connect the wire to your home line with cap connector ⑩.
6. Install the fixture to the bracket with cap nut ⑧.
7. Install the bulb ⑪.

Please read carefully before installation!!!

Note : Please make sure that the electricity is powered off during installation !

Only a professional electrician should install this kind of product !