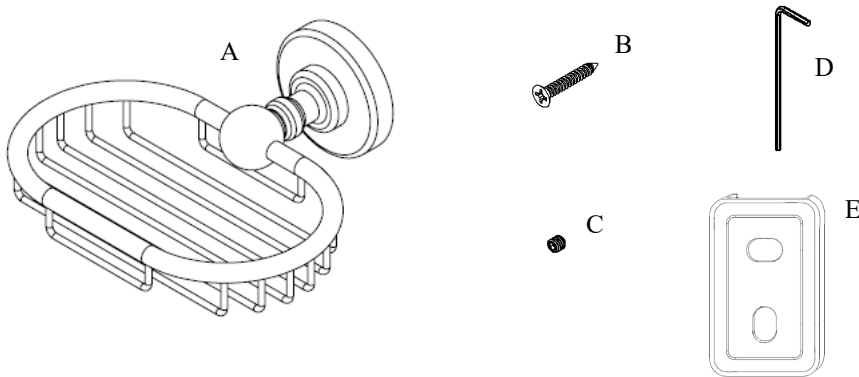


Soap Basket Installation Guide



Parts Included	QTY
A - Soap Basket	1
B - Screw	2
C - Set Screw	1
D - Allen Key	1
E - Bracket	1

Description	Finish	Weight (lb)	WxHxD (mm)	WxHxD (Inches)	Metal Type
Soap Basket	Chrome	0.8	140 x 52 x 132	5.5 x 2 x 5.2	Brass
Soap Basket	Brushed Nickel	0.8	140 x 52 x 132	5.5 x 2 x 5.2	Brass
Soap Basket	Polished Nickel	0.8	140 x 52 x 132	5.5 x 2 x 5.2	Brass

Warranty: 2 Years

Care & Maintenance: A periodic wash using warm water and a soft cloth will retain the high quality finish of your product for many years to come. ON NO ACCOUNT should any household bleaches, detergents, abrasive polishes, steel wool or other cleaning agents be used on this item.

