

Assembly Instruction For 2-DRAWER NIGHTSTAND









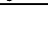

Caution: Please read instructions thoroughly before unpacking assembly parts. Sharp, exposed staple tips can cause injury, therefore, for your protection, please remove any exposed staples used in packing.

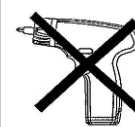
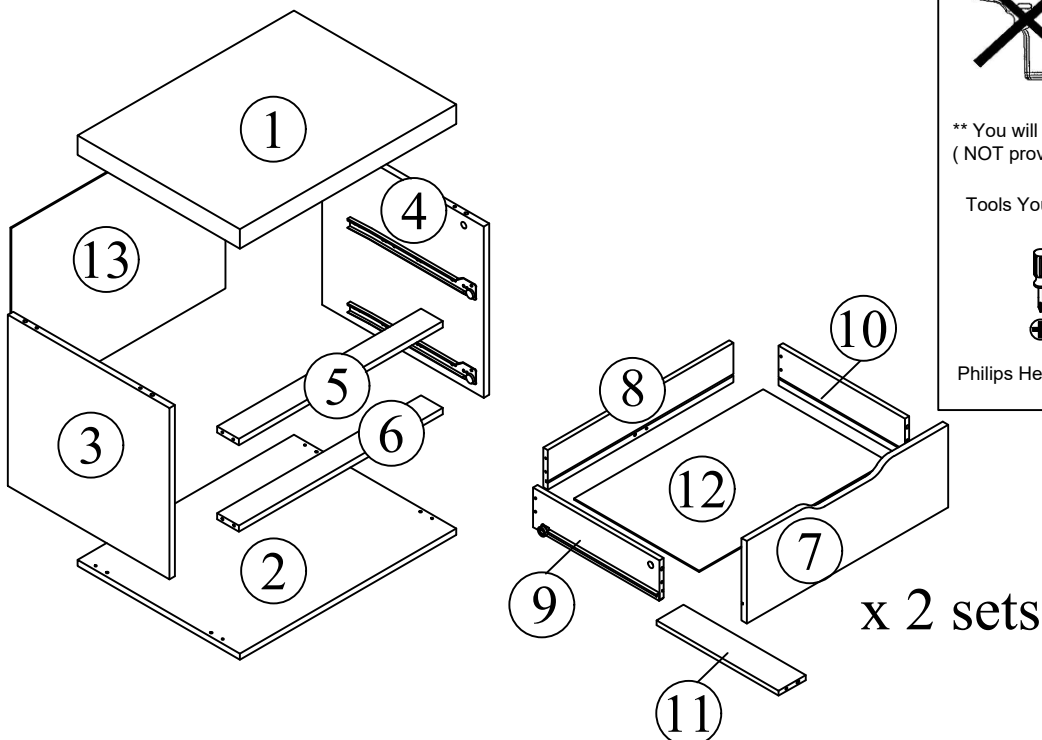
1. We recommend that you should assemble this product with the assistance of another person; this will make assembly easier, and will help to eliminate damage to the product or injury to persons during assembly.
2. Be sure to check all packing materials carefully for small parts that may have come loose inside the carton during shipment.
3. Please do not over tighten screws or bolts.
4. Please put all parts on a non-abrasive floor before assembly, and follow the assembly steps to assemble your newly purchased product correctly and efficiently.

PART LIST

Part	Part Desc.	Qty
1	Top	1
2	Bottom Panel	1
3	Side Panel Left w/Glide	1
4	Side Panel Right w/Glide	1
5	Front Drawer Frame Rail Top	1
6	Front Drawer Frame Rail Bottom	1
7	Drawer Head Panel	2
8	Drawer Back Panel	2
9	Drawer Side Panel Left with Glide	2
10	Drawer Side Panel Right with Glide	2
11	Drawer Support Rail	2
12	Drawer Bottom Panel 3mm	2
13	Back Panel	1

HARDWARE LIST

Part	Hardware Desc.	Qty
A	 CAM NUT 10mm	12
B	 CAM BOLT	12
C	 WOOD DOWEL M6 x 25mm	22
D	 CSK SCREW M4 x 38 mm	10
E	 CSK SCREW M4 x 45 mm	4
F	 CSK SCREW M4 x 25 mm	16
G	 BACKPLY SCREW	12
H	 PVC NAIL 5/8"	4
I	 PVC BLACK BRACKET	4
J	 RUBBER WOOD LEG 150mm	4



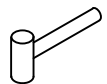
**** WARNING: THE USE OF POWER TOOLS TO ASSEMBLE THIS PRODUCT WILL INVALIDATE ANY CLAIM AND MAY DAMAGE THIS PRODUCT MAKING IT UNSAFE.**

** You will need a screwdriver and a small mallet (NOT provided)

Tools You Need:



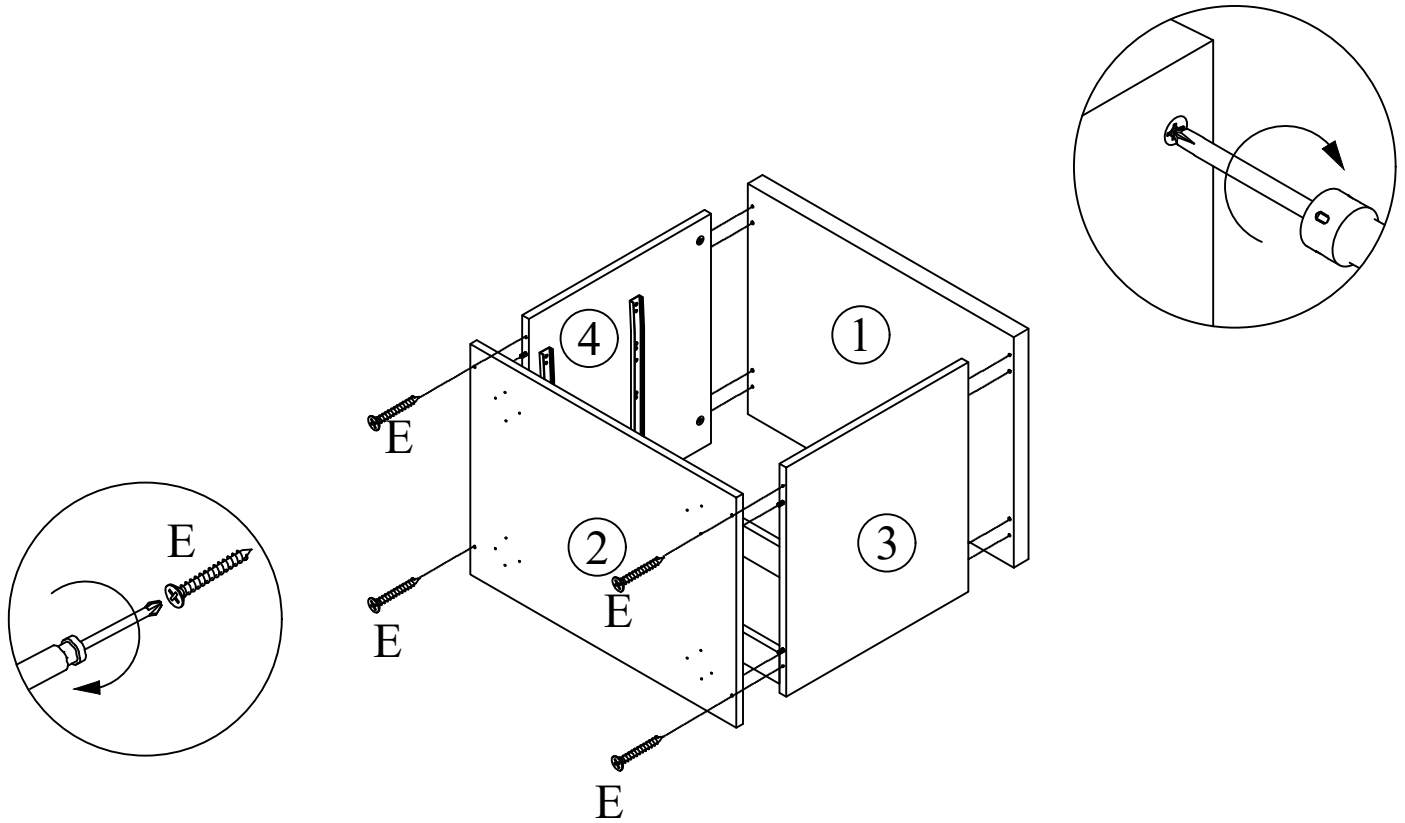
Philips Head Screwdriver



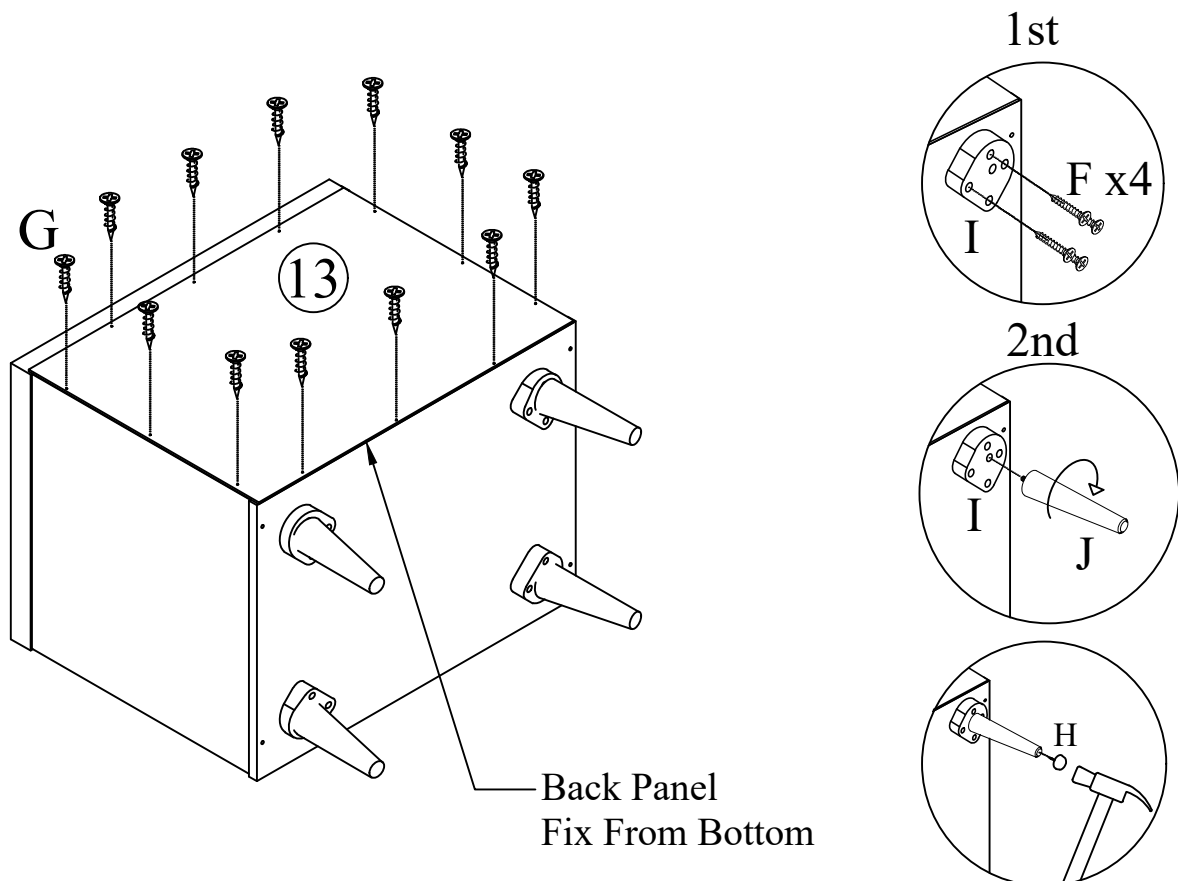
Soft Head Mallet

Assembly Instruction For 2-DRAWER NIGHTSTAND

STEP 3:

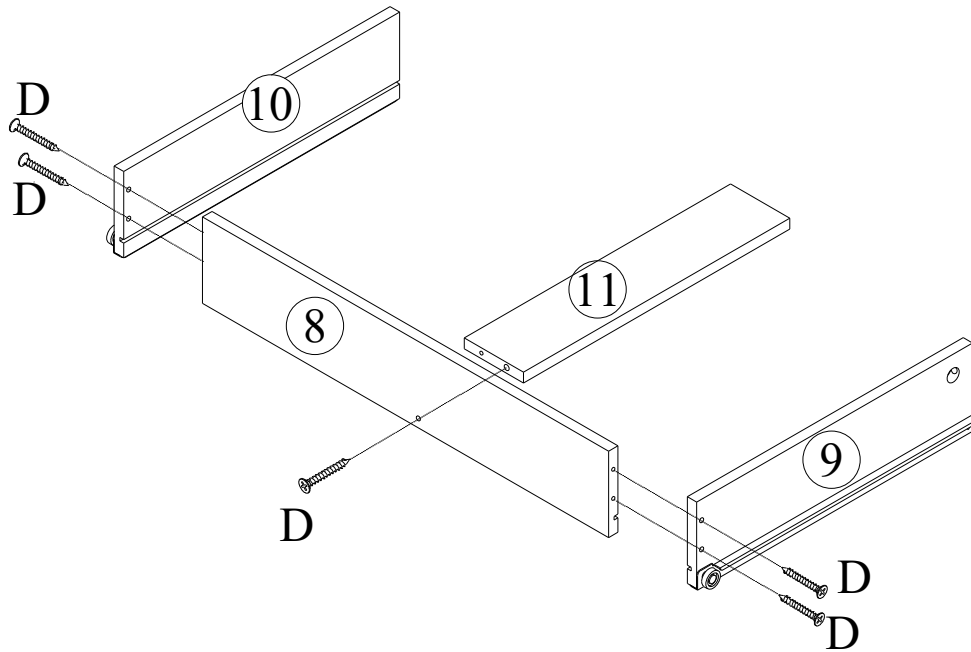


STEP 4:



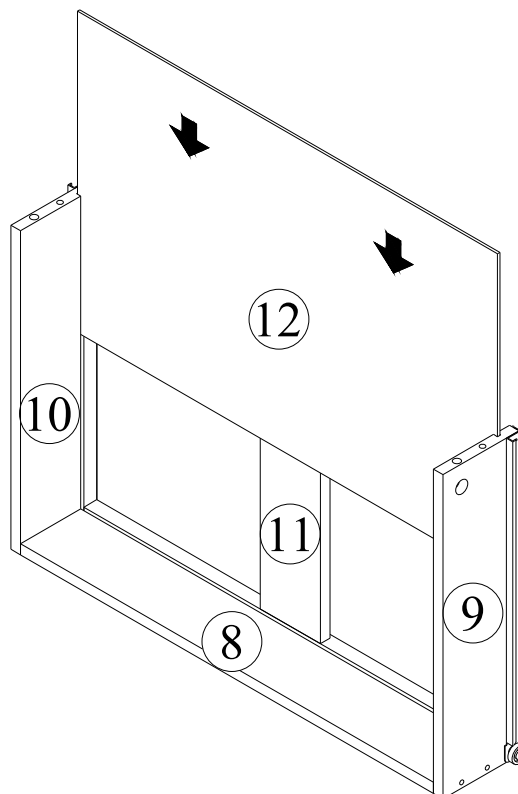
Assembly Instruction For 2-DRAWER NIGHTSTAND

STEP 5:



x 2 Sets

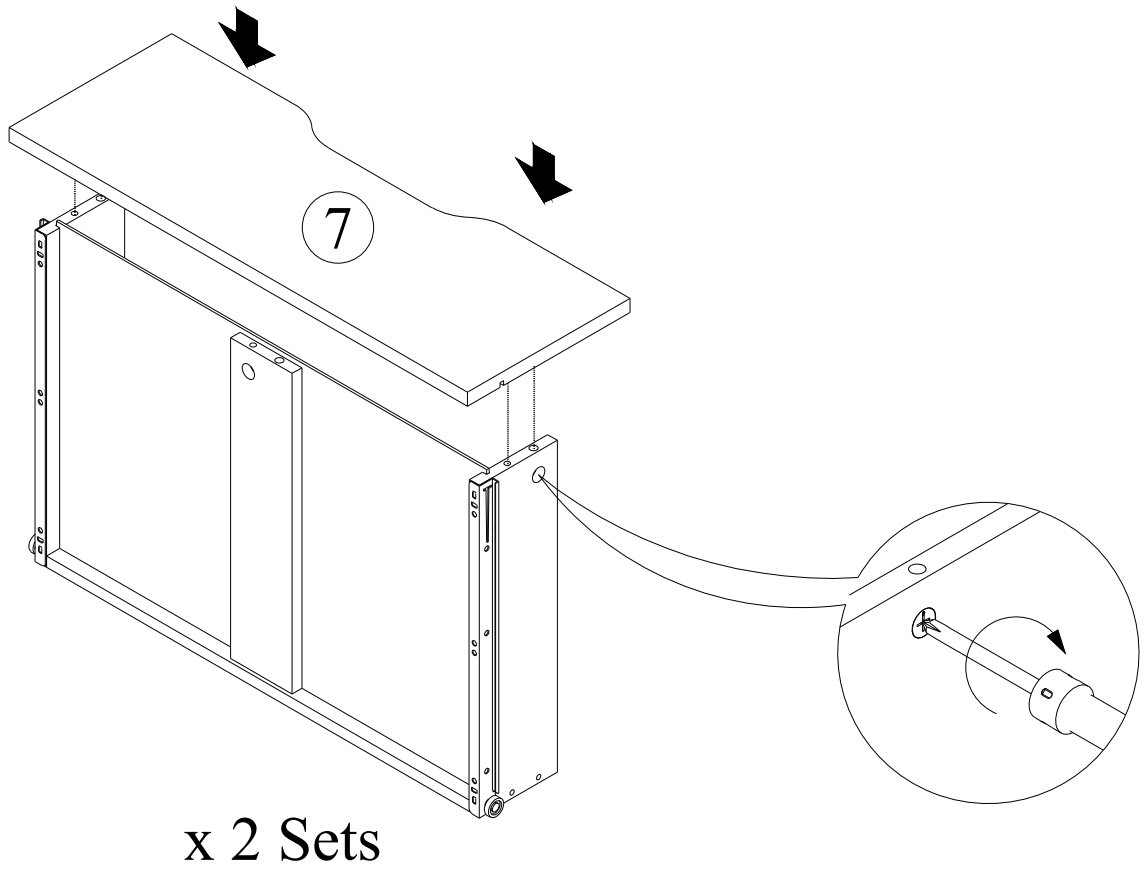
STEP 6:



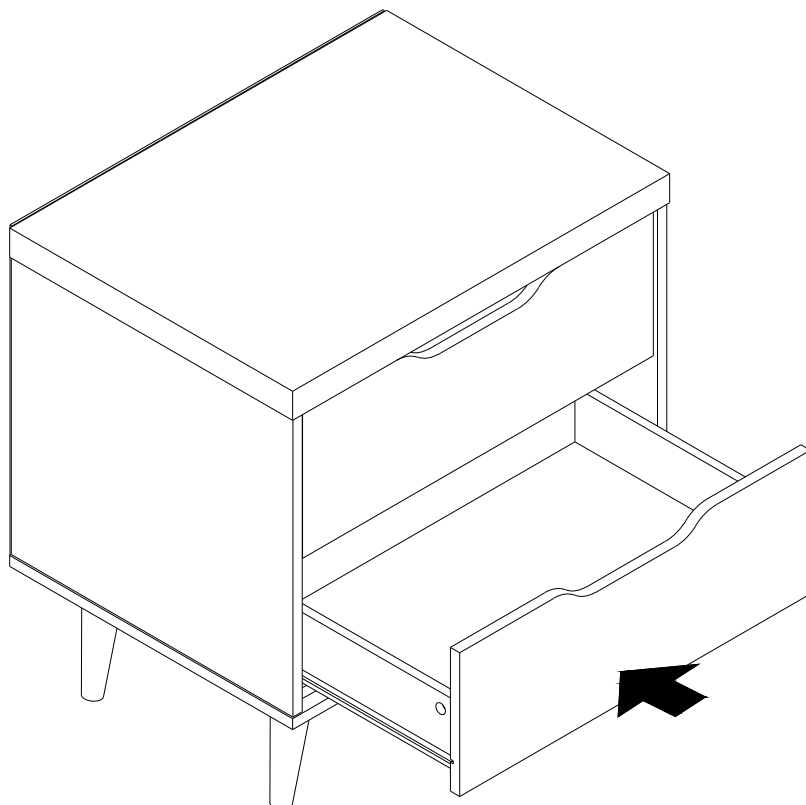
x 2 Sets

Assembly Instruction For 2-DRAWER NIGHTSTAND

STEP 7:

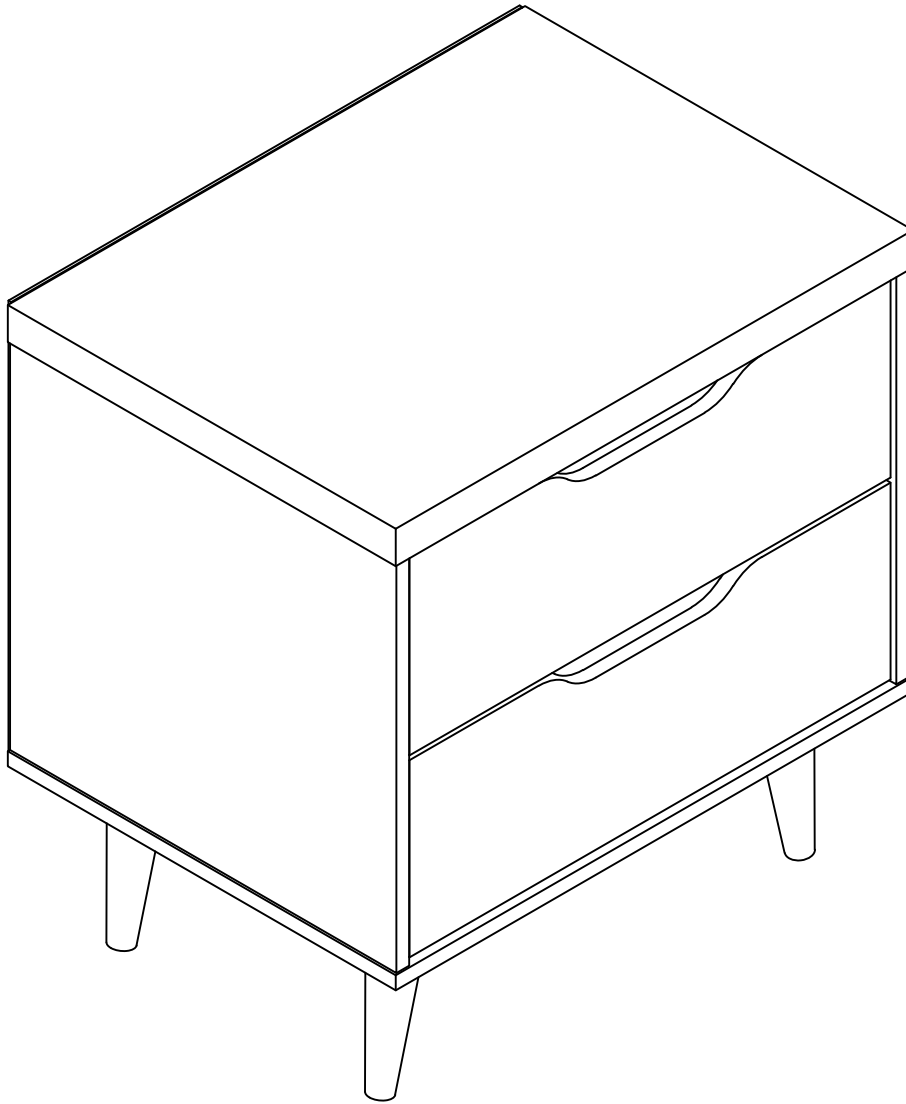


STEP 8:



Assembly Instruction For 2-DRAWER NIGHTSTAND

COMPLETE



WARNING: To avoid serious personal injury:

- Carefully and strictly follow assembly instructions. Improper assembly of furniture can result in structural failure, instability of the product, or tip-over.
- Monitor and carefully control the assembly components. These include small parts and hardware that may present a choking hazard to small children.

Furniture should be assembled only by responsible adults and children should not be involved in the assembly process.

- Where provided, wall mounting hardware should always be used as prescribed in these instructions to anchor furniture to wall. Proper use of the wall mounting hardware can significantly reduce the potential for furniture tip-over and crushing injuries.