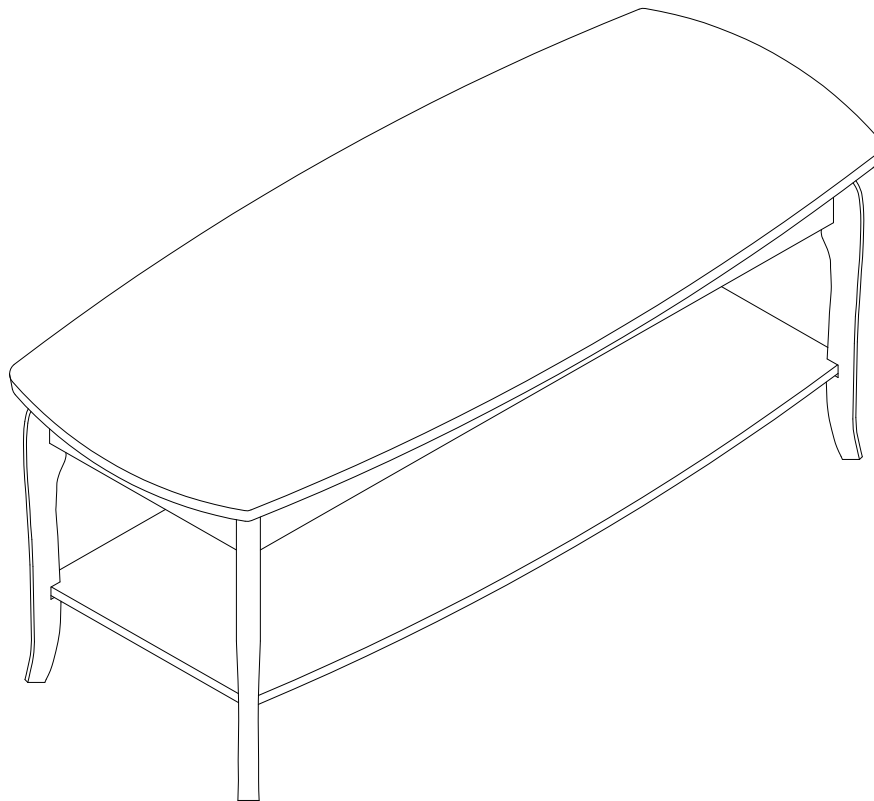


BIRCH LANE

Product Instructions for:

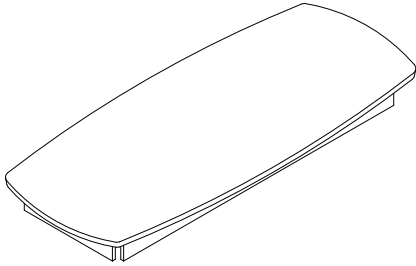


For assistance with assembly or questions contact:
Wayfair Customer Service, 877-WAYFAIR (877-929-3247) | www.wayfair.com

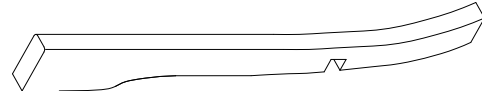
Before beginning assembly, separate all parts and carefully study the parts diagrams below. Review all parts and hardware before disposing of any packaging. You may receive extra hardware with your unit. Call Customer Service for missing hardware.

Parts List

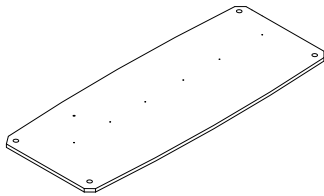
A: Top Panel (1)



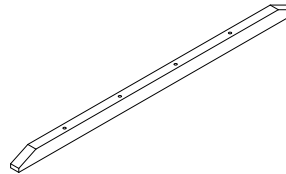
B: Leg (4)



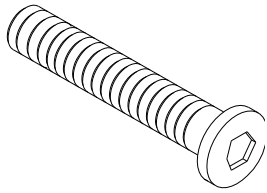
C: Bottom Panel (1)



D: Bottom Rail (1)

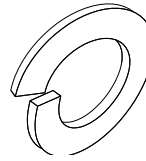


1: Bolt (8)



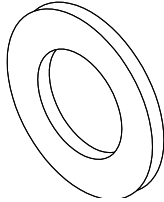
Dia. 5/16" x2"L

2: Spring Washer (8)



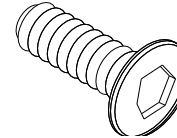
Dia. 5/16"

3: Flat Washer (8)



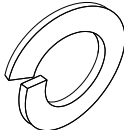
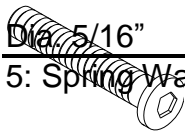
Dia. 5/16"

4: Bolt (8)



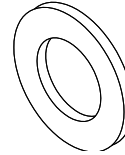
Dia. 1/4" x1/2"L

5: Spring Washer (8)



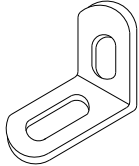
Dia. 1/4"

6: Flat Washer (8)

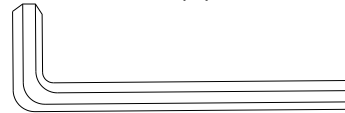


Dia. 1/4"

7: Bracket (4)



8: Allen Wrench (1)



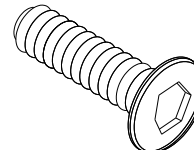
Dia. 5mm

9: Allen Wrench (1)



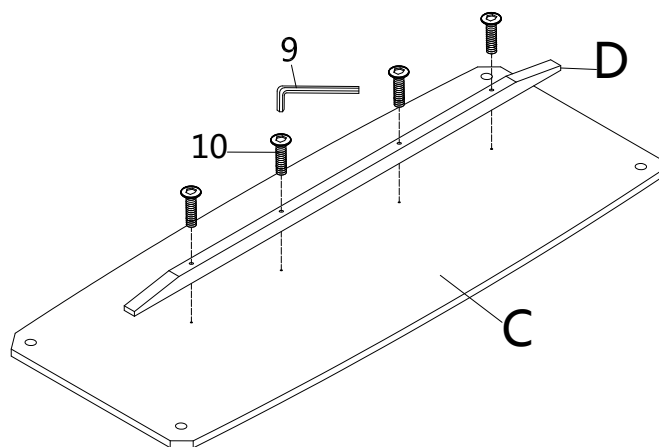
Dia. 4mm

10: Bolt (4)



Dia. 1/4" x1-1/4"L

Assembly Instructions

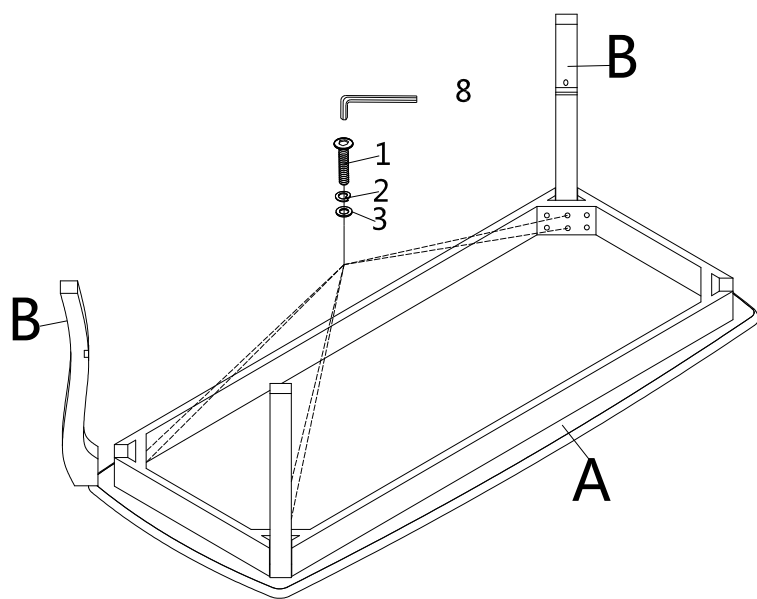


Unpack and lay parts on a clean, padded surface like a carpet or blanket. Check that you have all parts indicated on the front page.

Attach Bottom Rail (D) to Bottom Panel (C) with Bolts (10) as shown in Figure 1.

Tighten Bolts (10) with Allen Wrench (9).

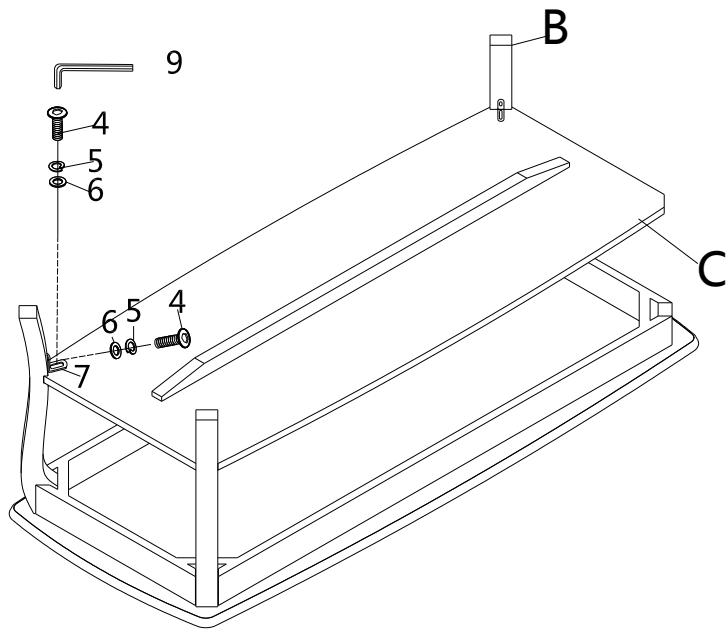
Figure 1



Attach three Legs (B) to the Top Panel (A) with Bolts (1), Spring Washers (2), and Flat Washers (3) as shown in Figure 2.

Tighten Bolts (1) with Allen Wrench (8).

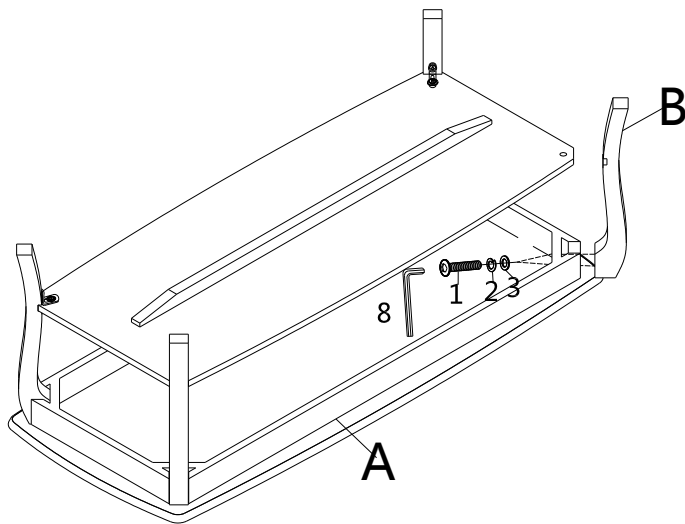
Figure 2



Attach three Legs (B) to Bottom Panel(C) with Bolts (4), Spring Washers (5), and Flat Washers (6), and Brackets (7) as shown in Figure 3.

Tighten Bolts (4) with Allen Wrench (9).

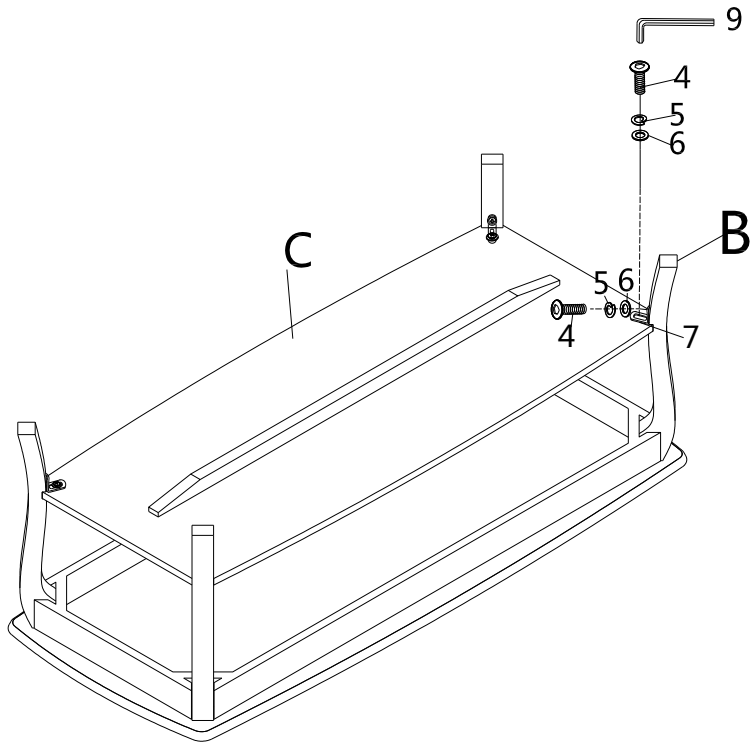
Figure 3



Attach fourth Leg (B) to Top Panel (A) with Bolt (1), Spring Washer (2), and Flat Washer (3) as shown in Figure 4.

Tighten Bolt (1) with Allen Wrench (8).

Figure 4



Attach fourth Leg (B) to Bottom Panel (C) with Bolt (4), Spring Washer (5), Flat Washer (6), and Bracket (7) as shown in Figure 5.

Tighten Bolts (4) with Allen Wrench (9).

Figure 5