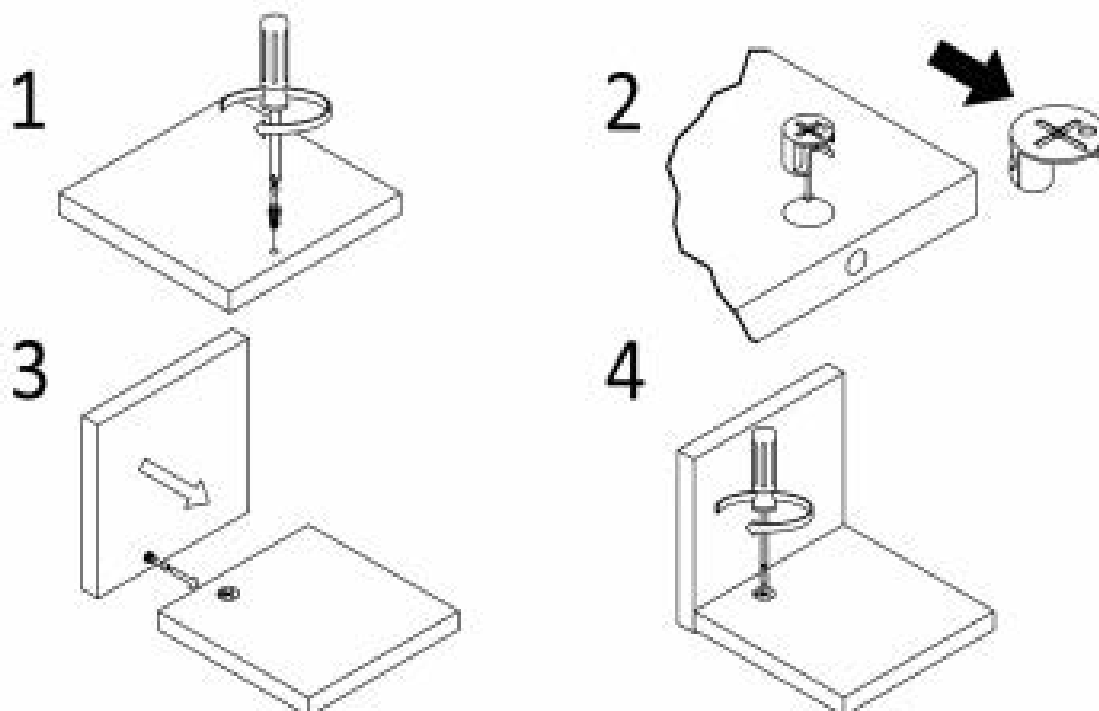


Before You Start

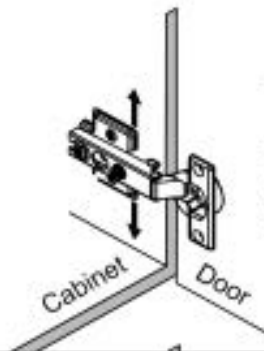
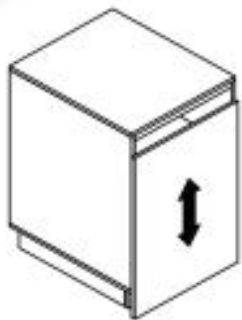
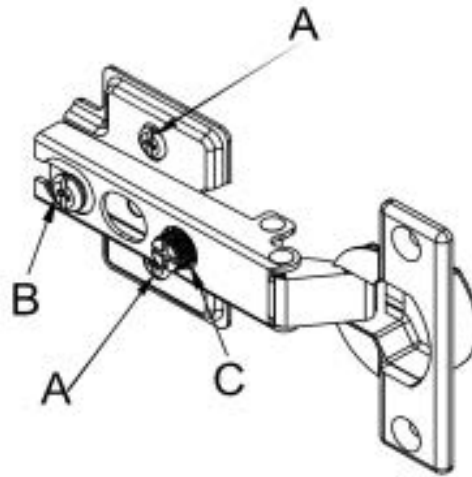
1. Read through each step carefully and follow the proper order
2. Separate and count all your parts and hardware
3. Give yourself enough room for the assembly process
4. Caution: If using a power drill or power screwdriver for screwing, please be aware to slow down and stop when screw is tight. Failure to do so may result in stripping the screw.

Cam Lock Fastening System

This Cam Lock Fastening System will be used throughout the assembly process.

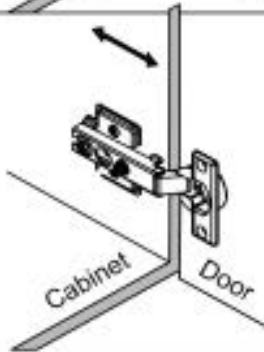
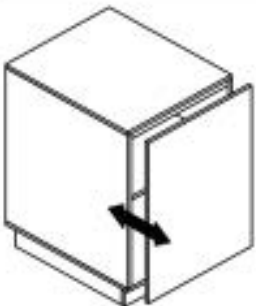


Door Hinge Adjustment Instructions



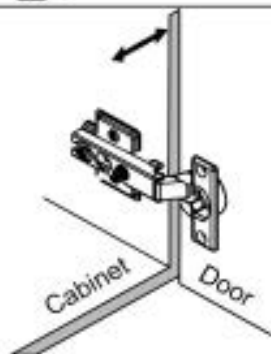
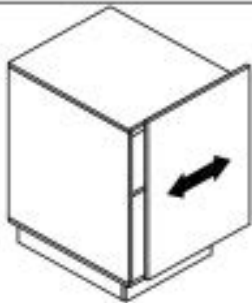
To adjust the vertical height.

Loosen the two screws "A" on hinges. Usually in slotted holes which allows you to adjust up or down by a few mm. Then tighten back.



To adjust depth.

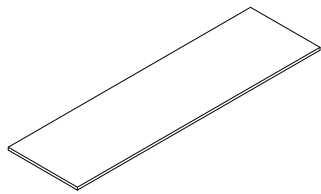
Loosen screw "B" and adjust door, if the door can not be adjusted, please loosen screw "C", then try again. Tighten screw "B" and "C".



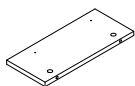
To adjust side ways.

Turning the screw "C" on BOTH hinges on each door.

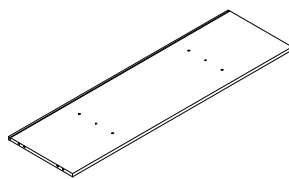
Parts List



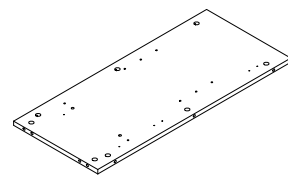
1 1PC



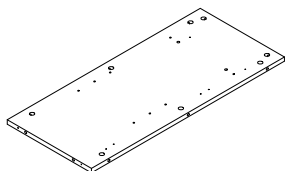
2 2PC



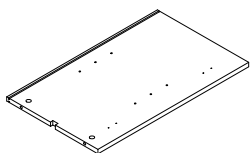
3 1PC



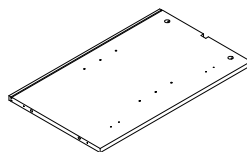
4 1PC



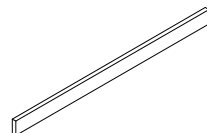
5 1PC



6 1PC



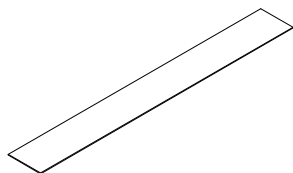
7 1PC



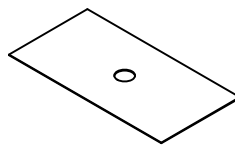
8 2PC



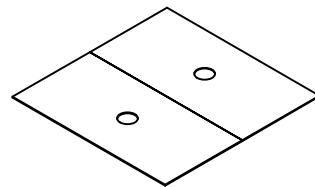
9 2PC



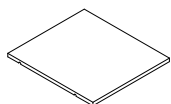
10 1PC



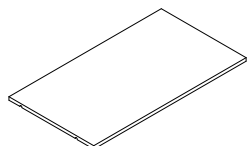
11 2PC



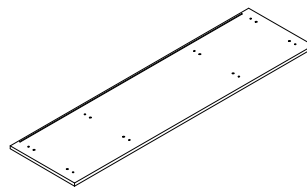
12 1PC



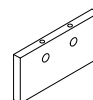
13 2PC



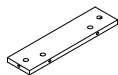
14 1PC



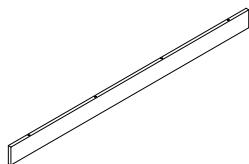
15 1PC



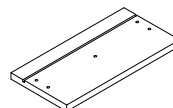
16 1PC



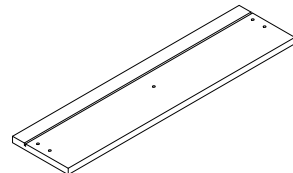
17 2PC



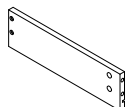
18 1PC



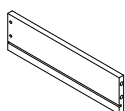
19 2PC



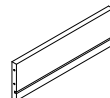
20 1PC



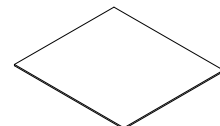
21 3PC



22 3PC

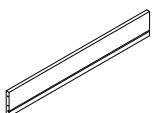
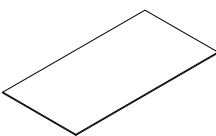
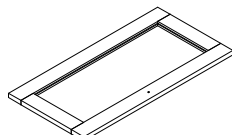
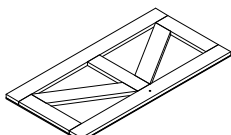


23 2PC

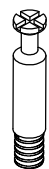
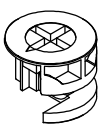

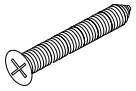




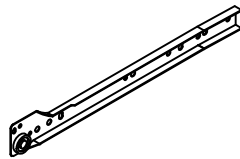
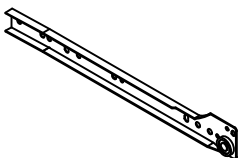
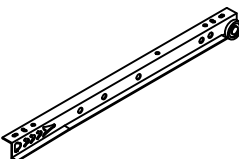
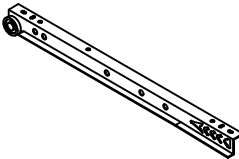

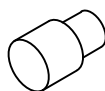
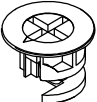


24 2PC

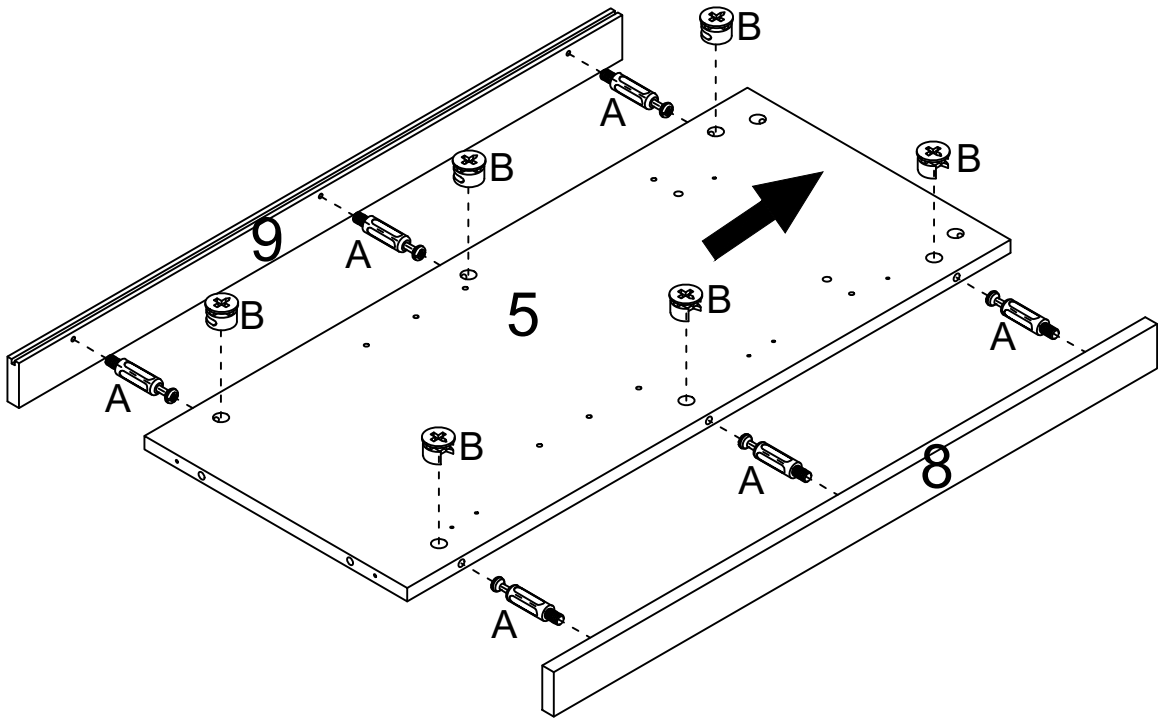
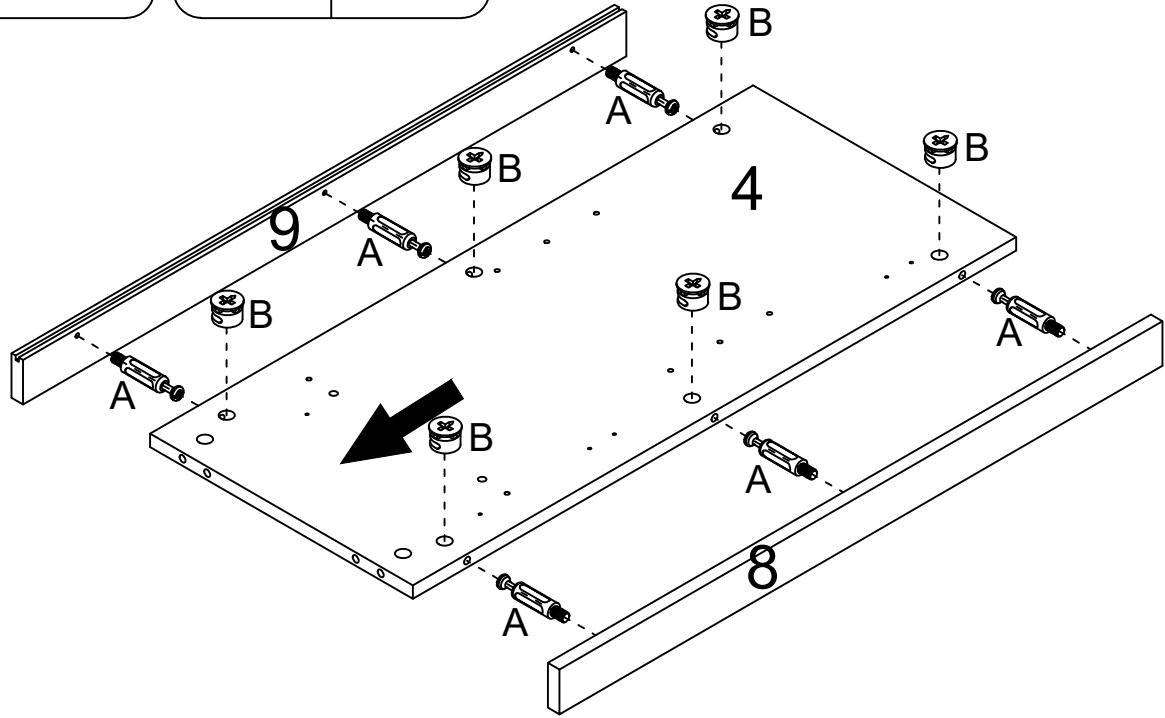
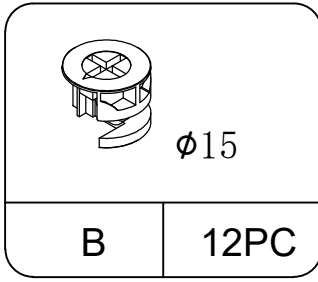
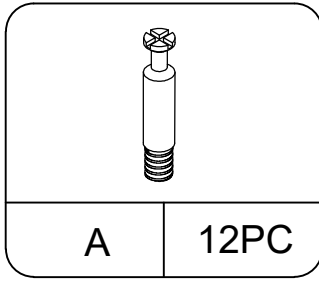
Parts List

							
25	1PC	26	1PC	27	2PC	28	2PC

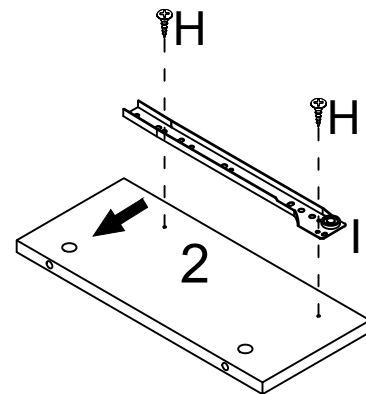
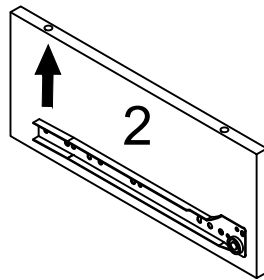
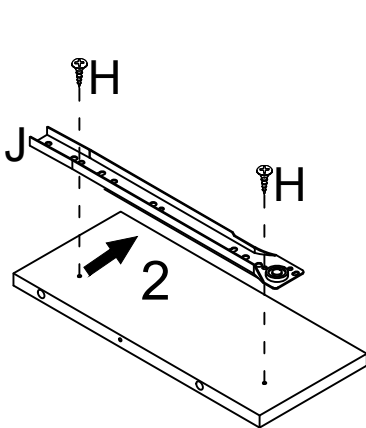
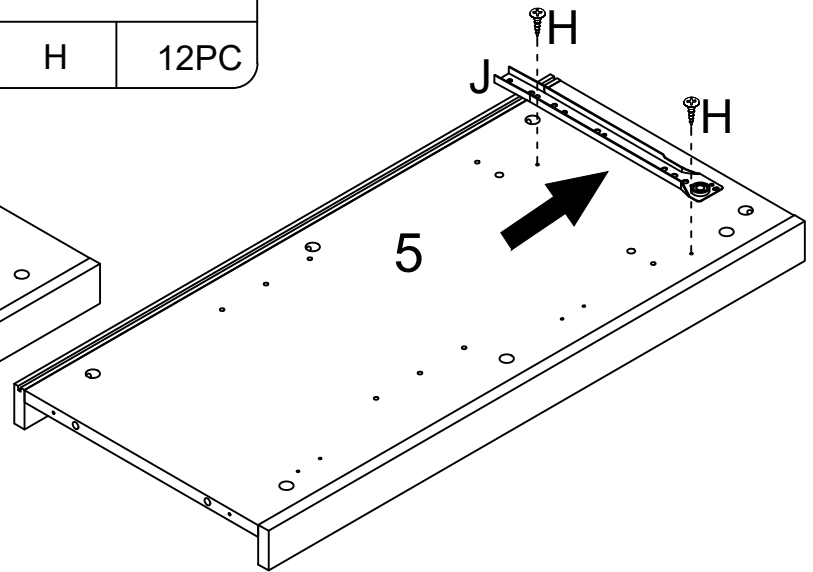
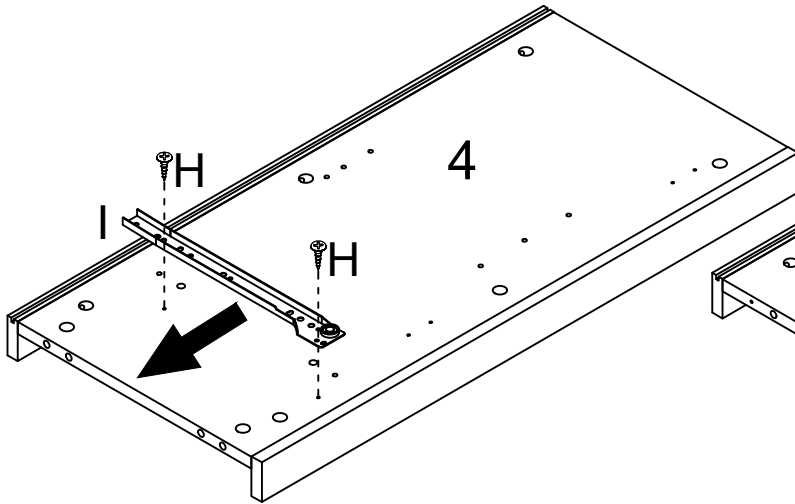
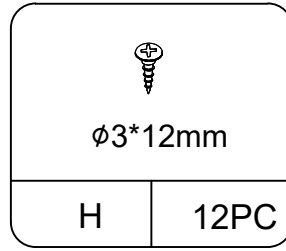
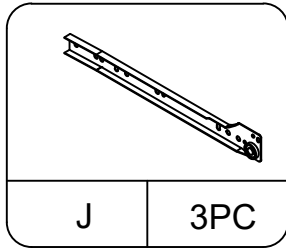
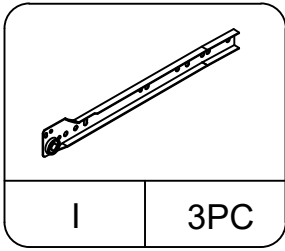
Hardware List

	 Ø15	 Ø8*30mm	 Ø4*40mm				
A	52PC	B	40PC	C	20PC	D	22PC
	 M4*18mm	 Ø3.5*14mm	 Ø3*12mm				
E	7PC	F	7PC	G	32PC	H	24PC
							
I	3PC	J	3PC	K	3PC	L	3PC
		 Ø12					
M	8PC	N	12PC	O	12PC		

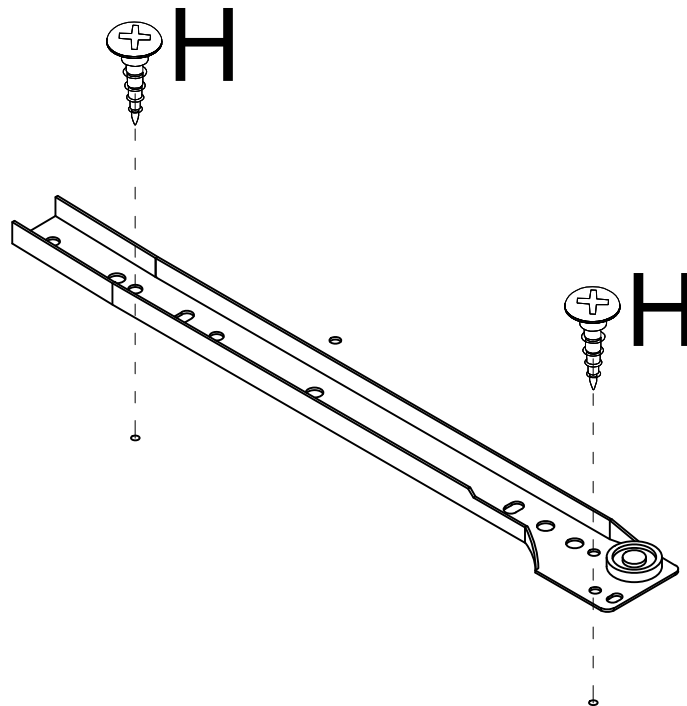
STEP 1



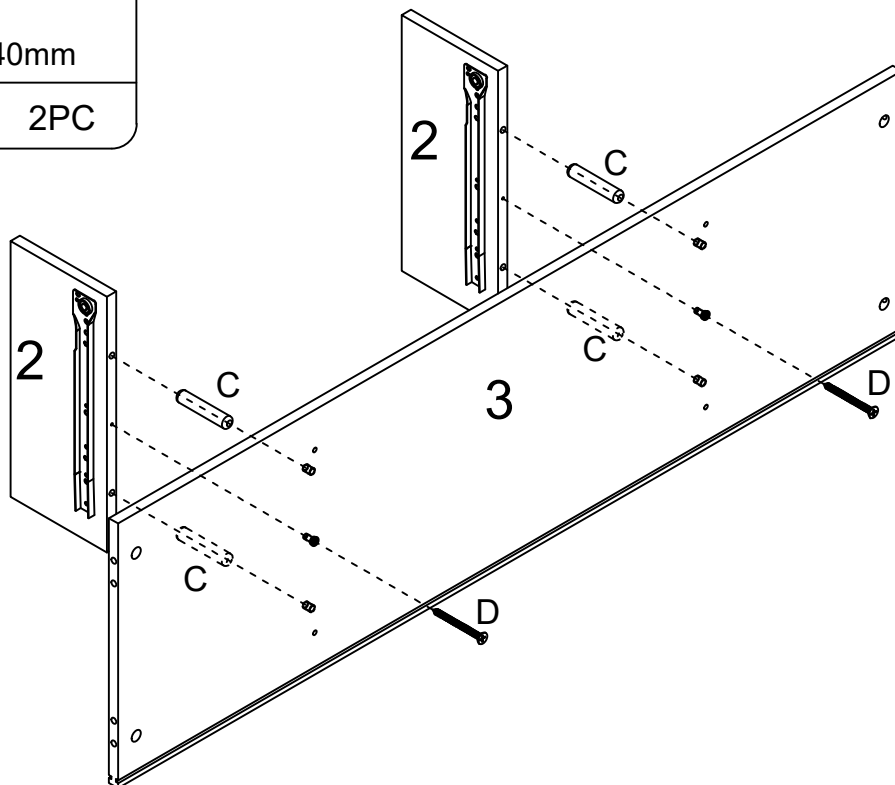
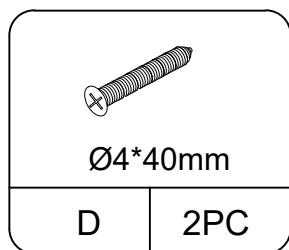
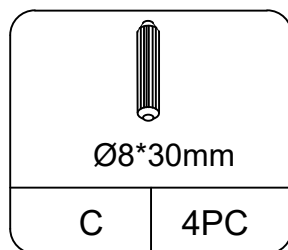
STEP 2



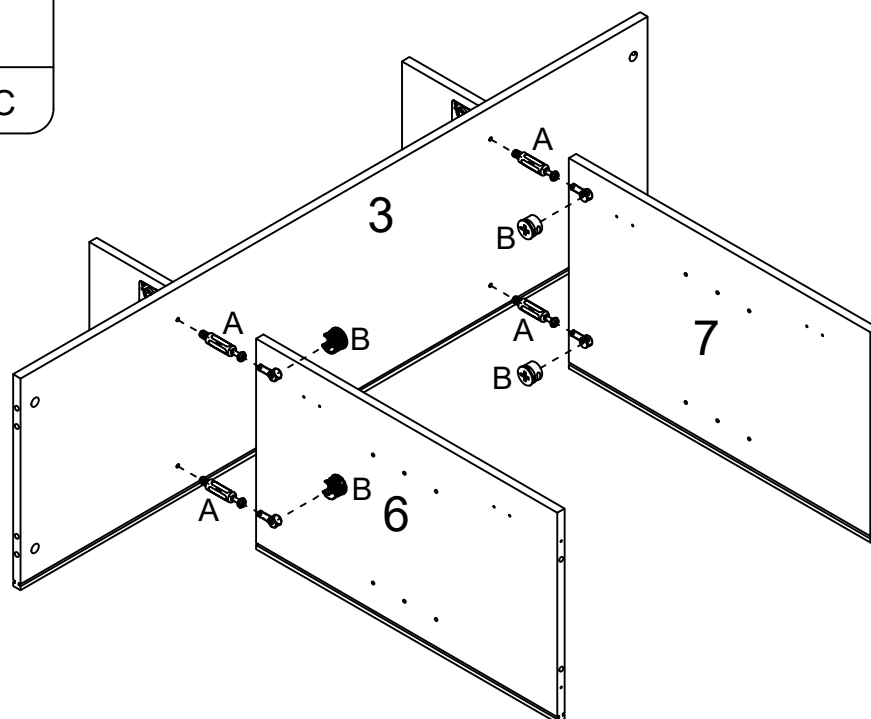
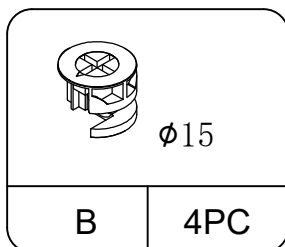
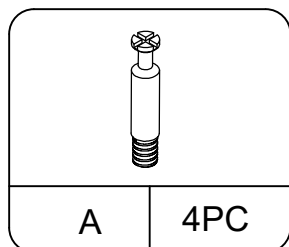
x2PC



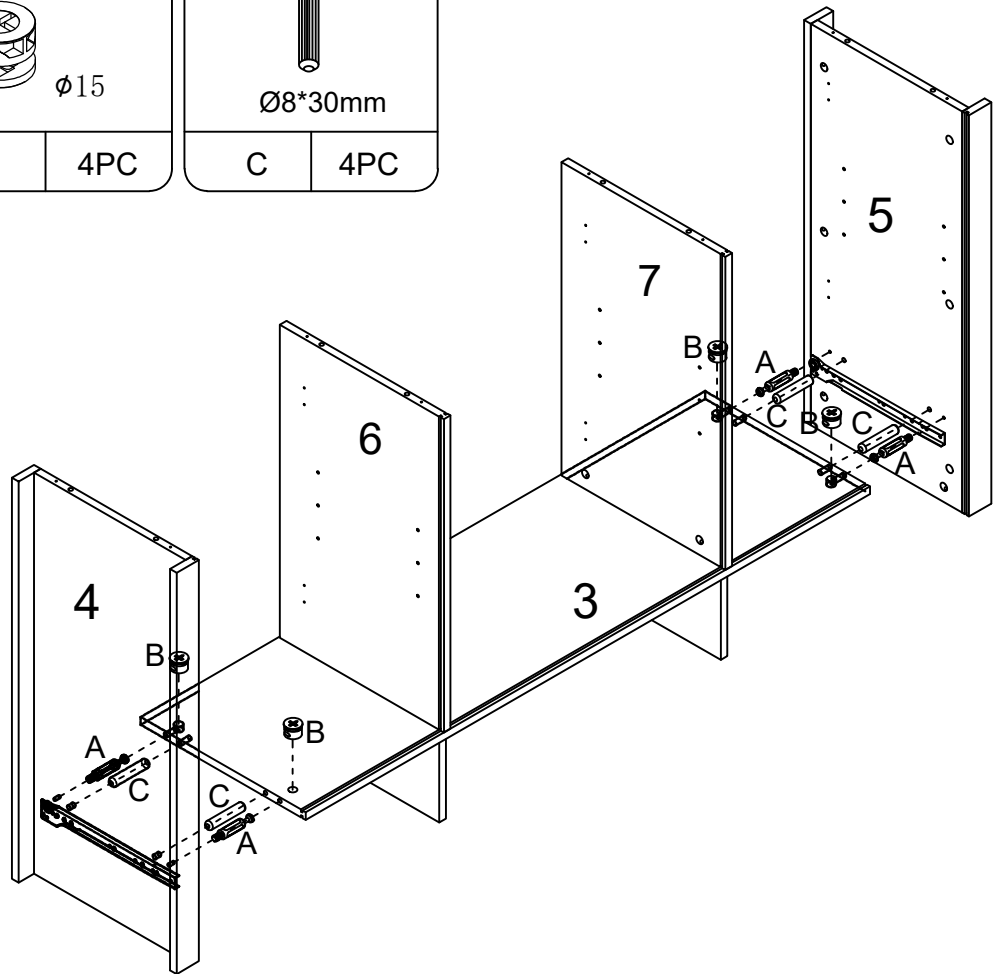
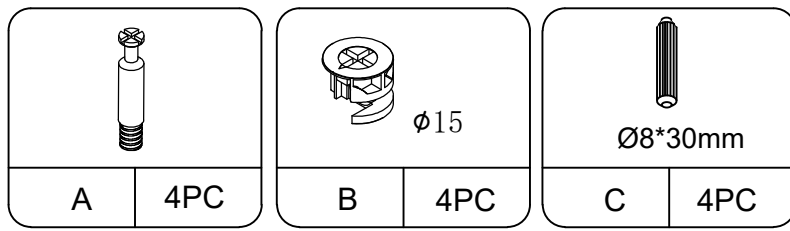
STEP 3



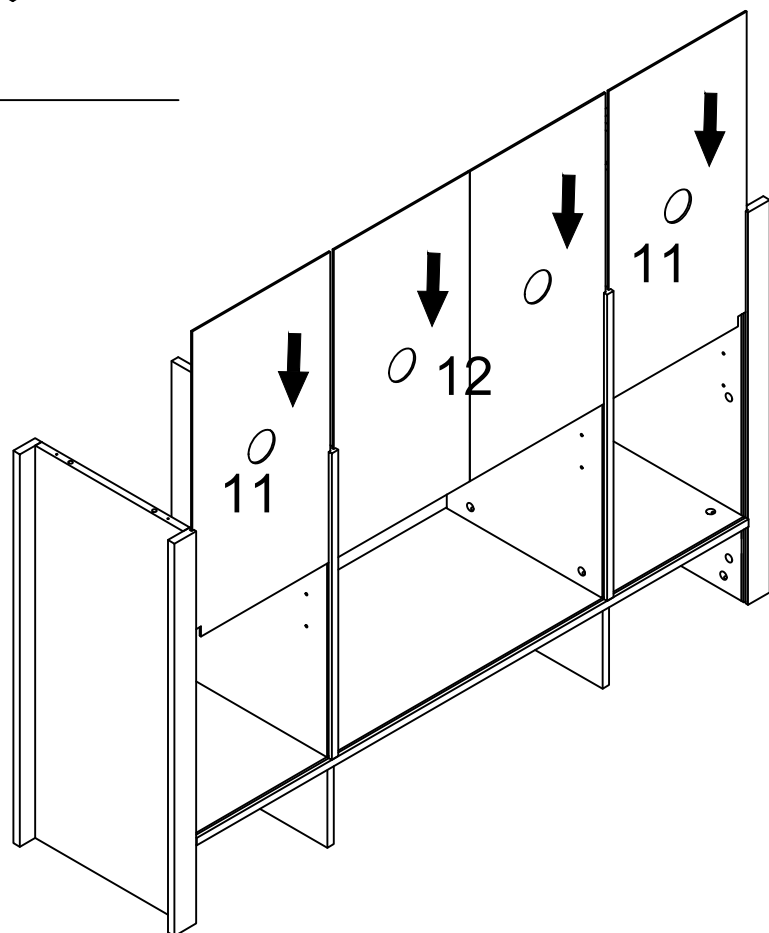
STEP 4



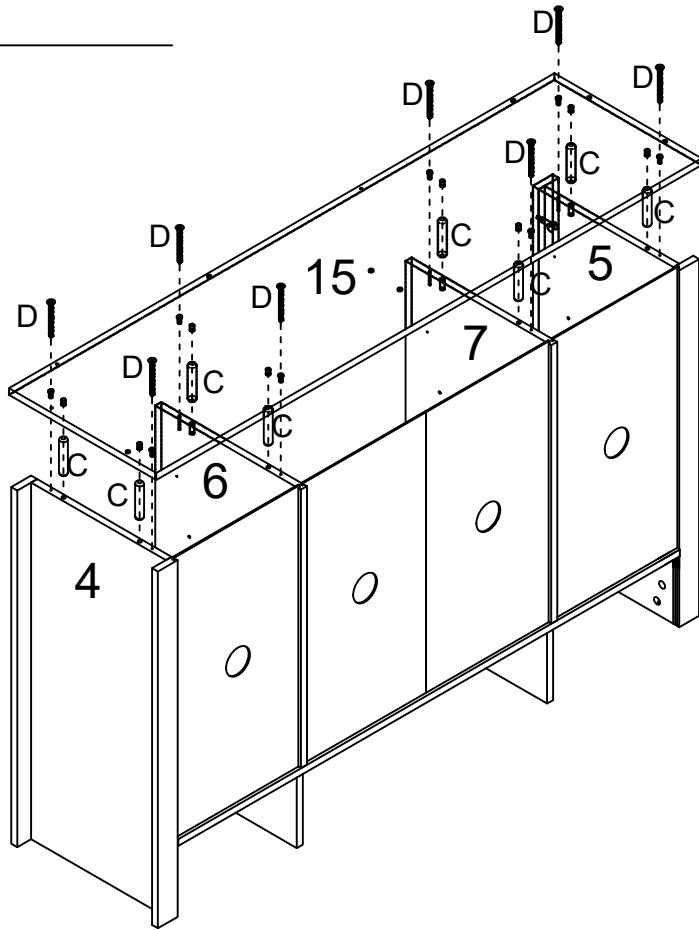
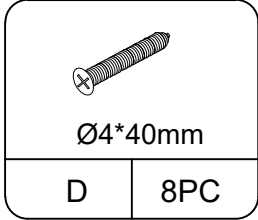
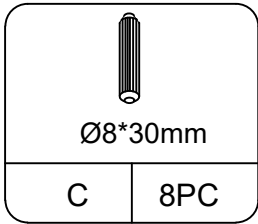
STEP 5



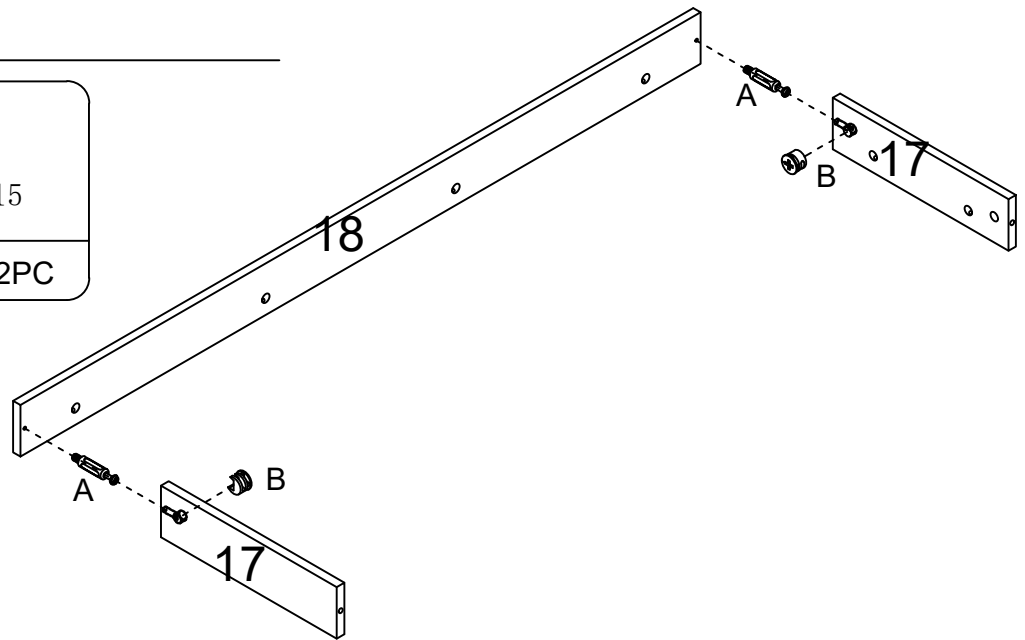
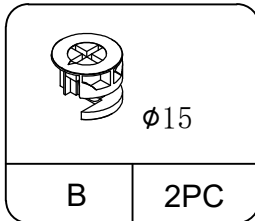
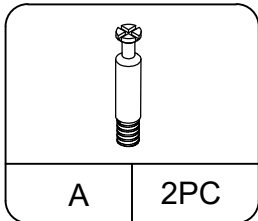
STEP 6



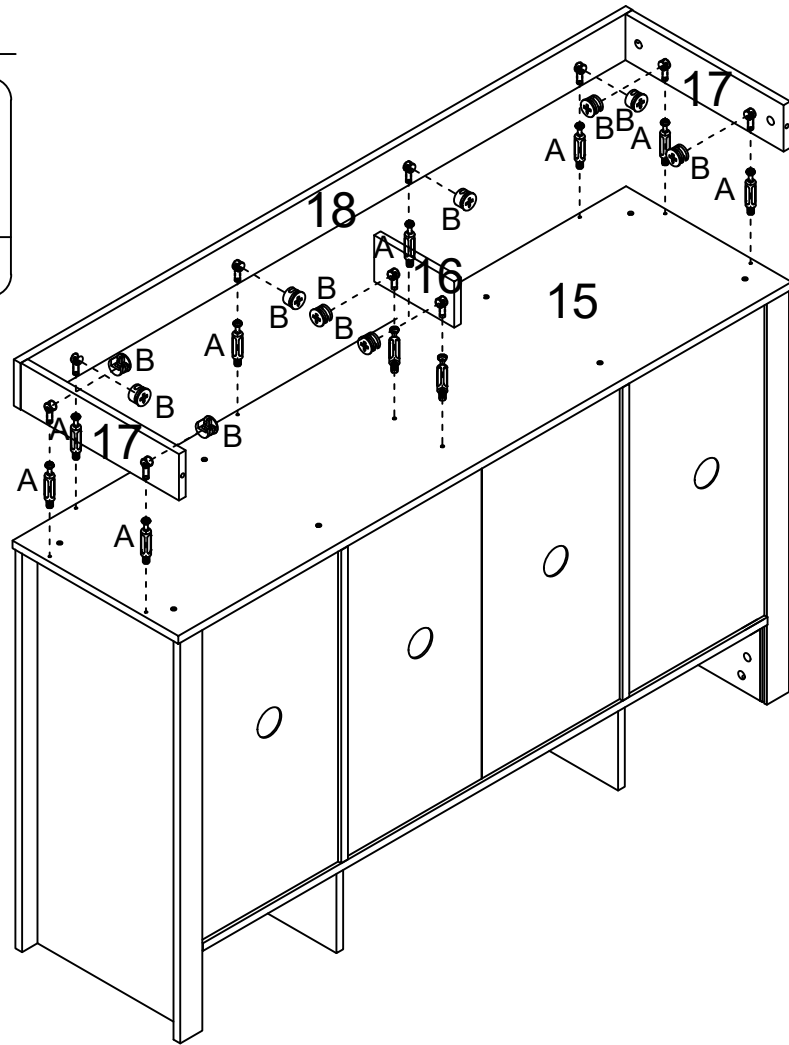
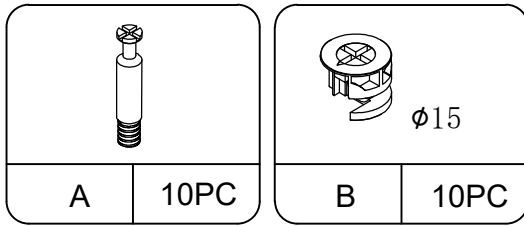
STEP 7



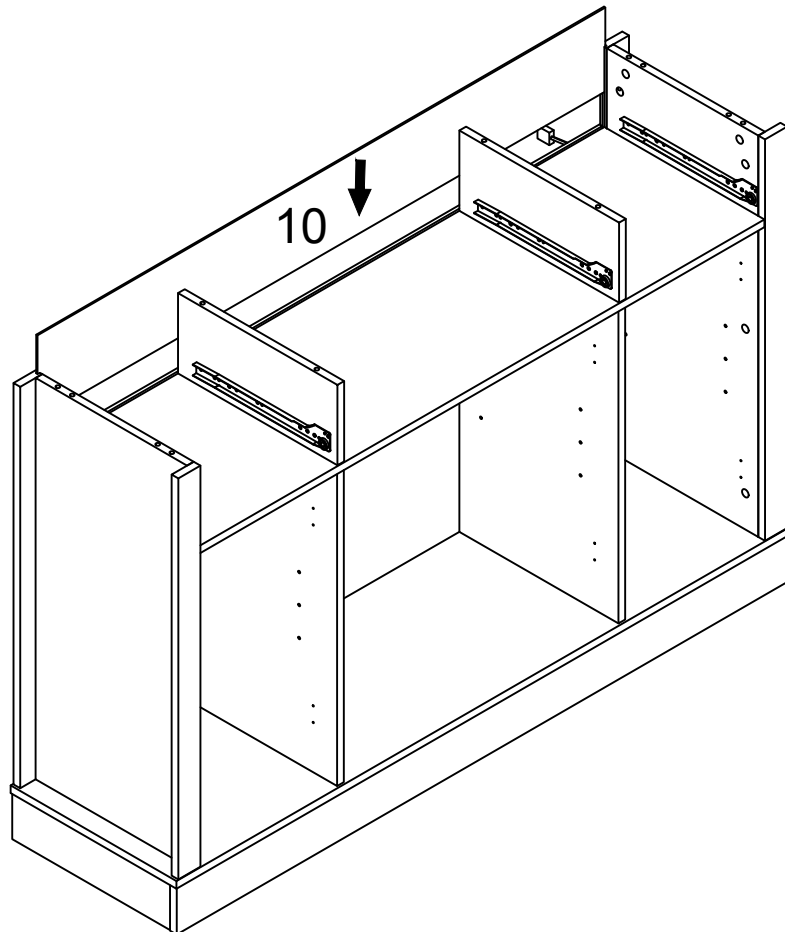
STEP 8



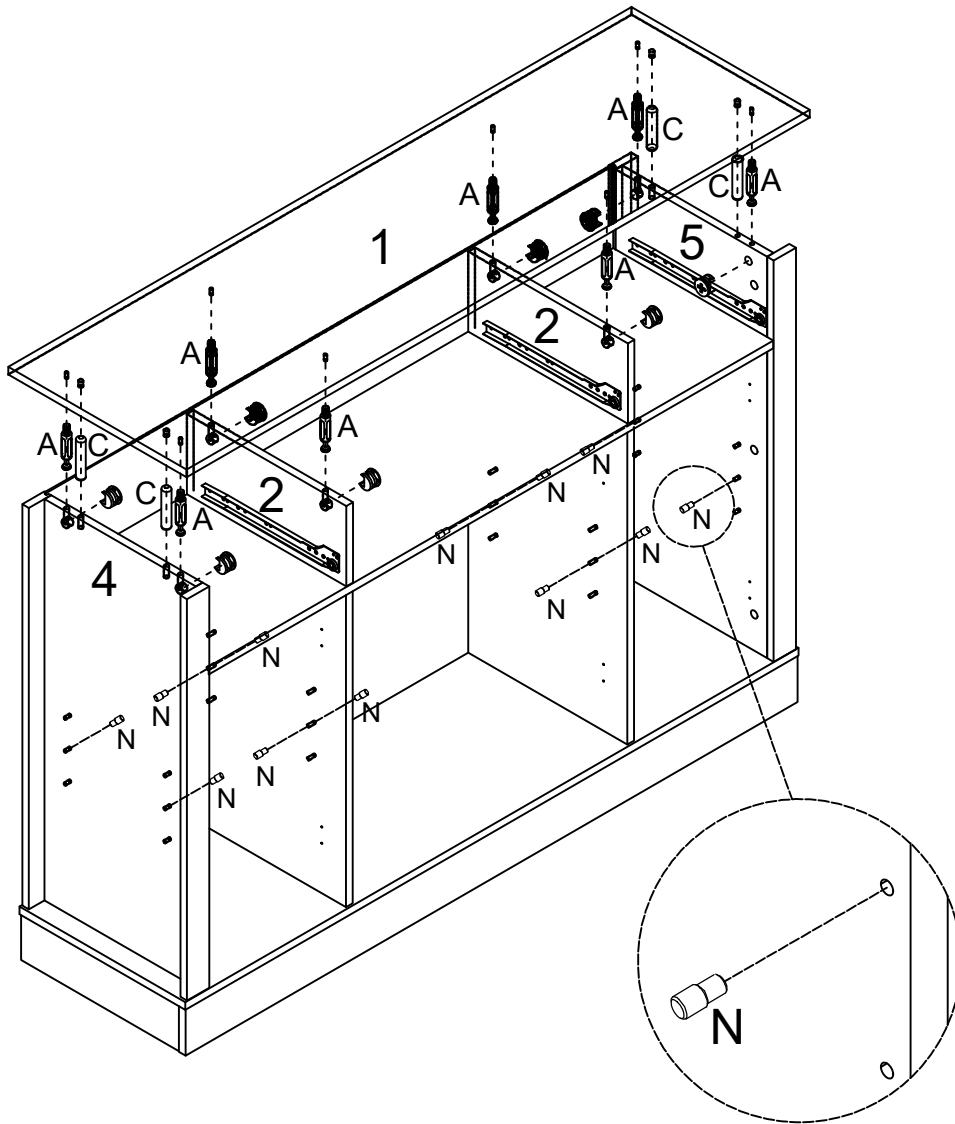
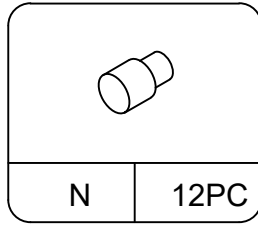
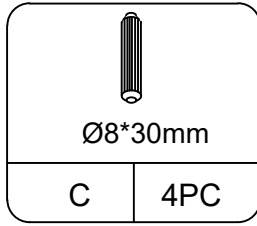
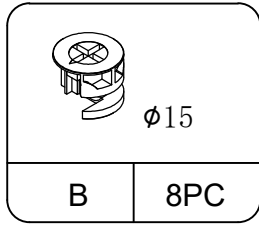
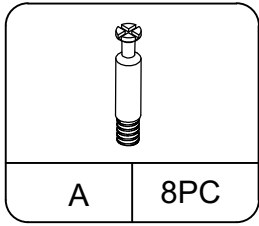
STEP 9



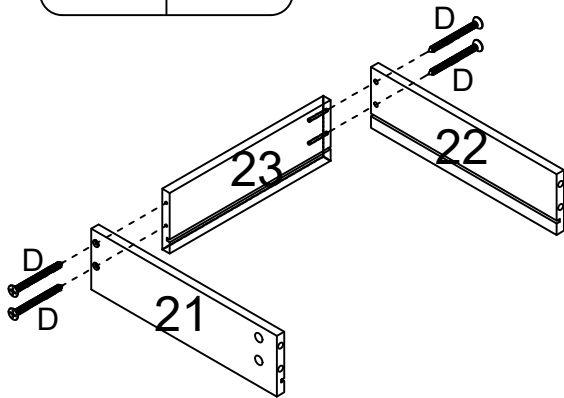
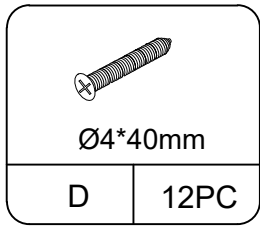
STEP 10



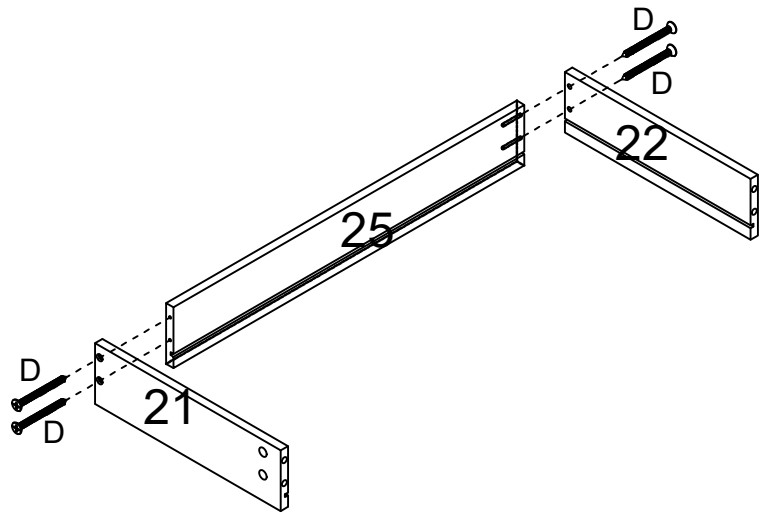
STEP 11



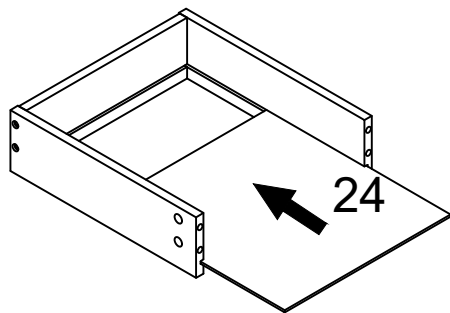
STEP 12



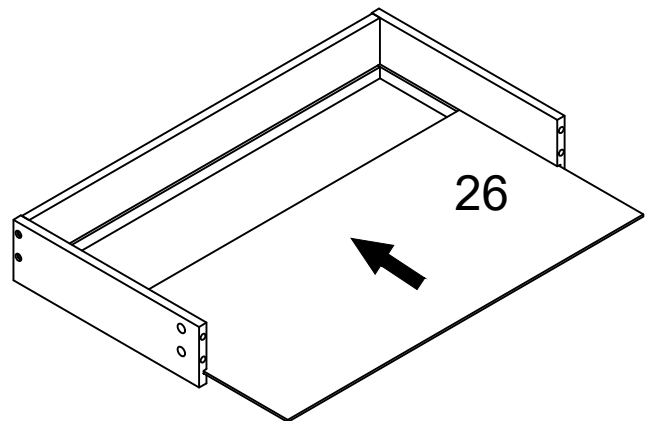
x2PC



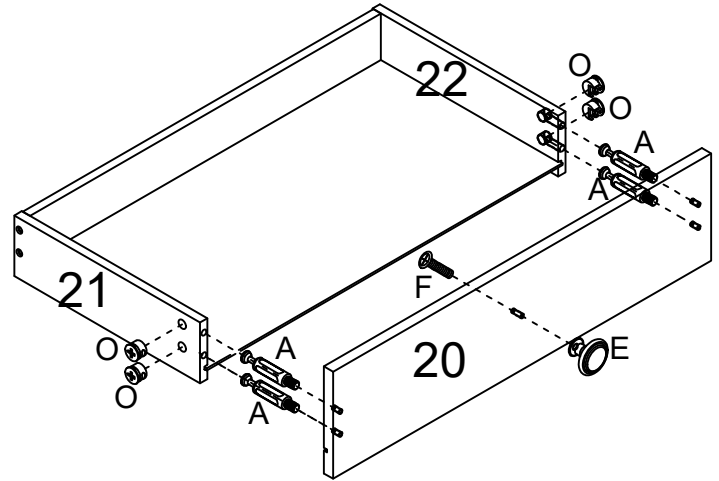
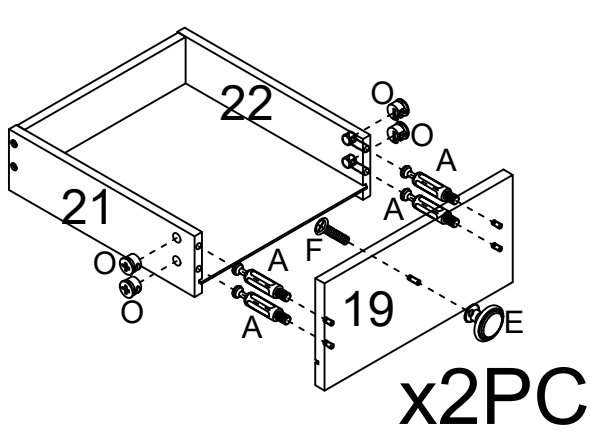
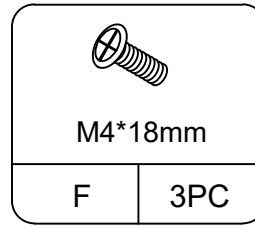
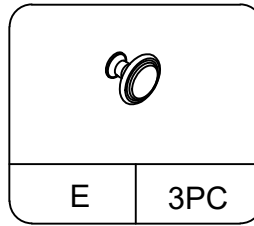
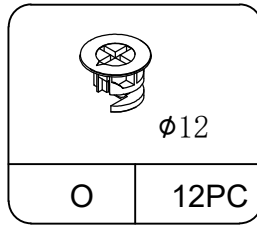
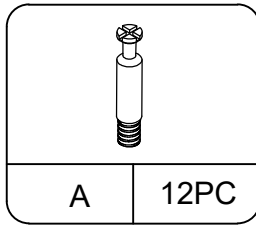
STEP 13



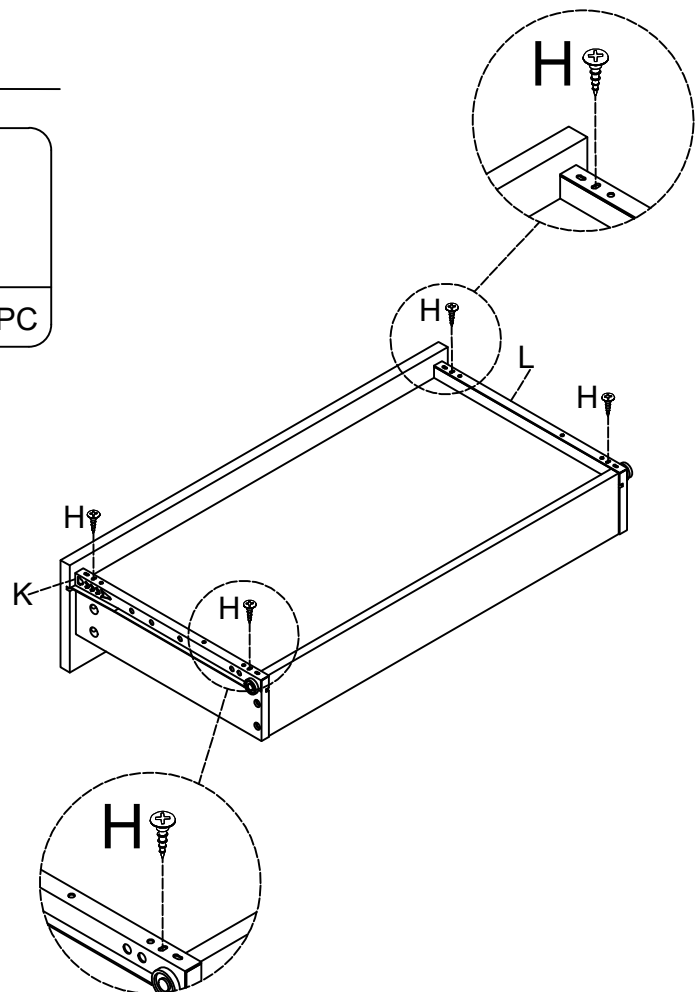
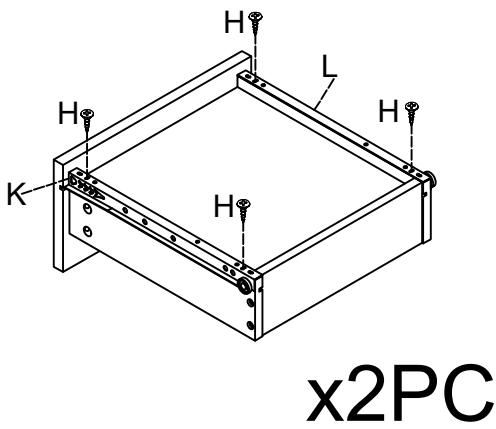
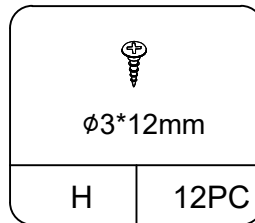
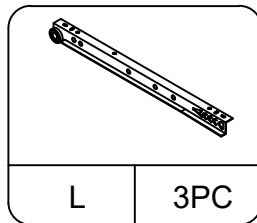
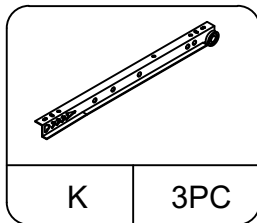
x2PC




STEP 14

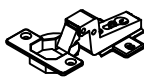


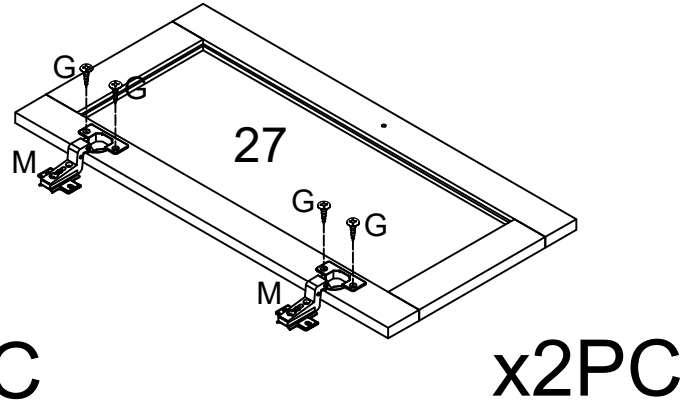
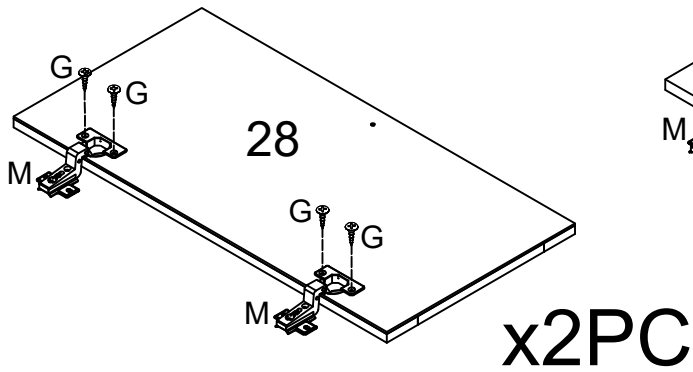
STEP 15




STEP 16


 ø3.5*14mm	
G	16PC

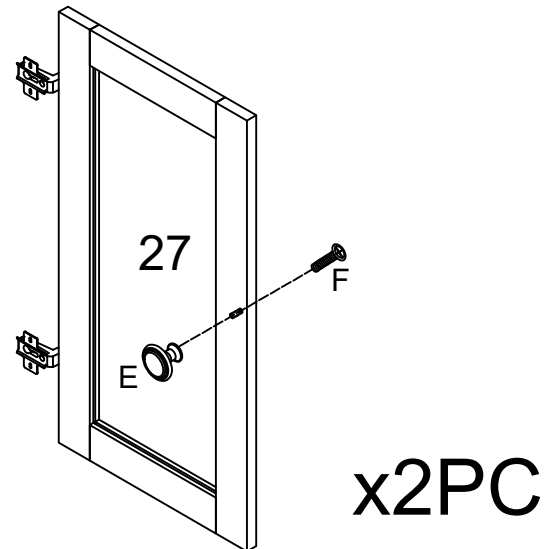
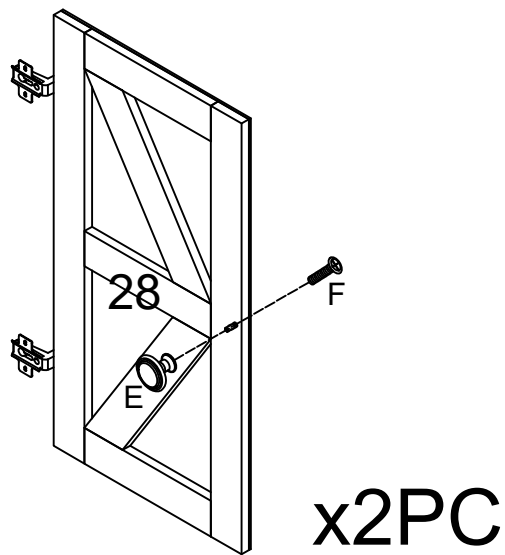
	
M	8PC



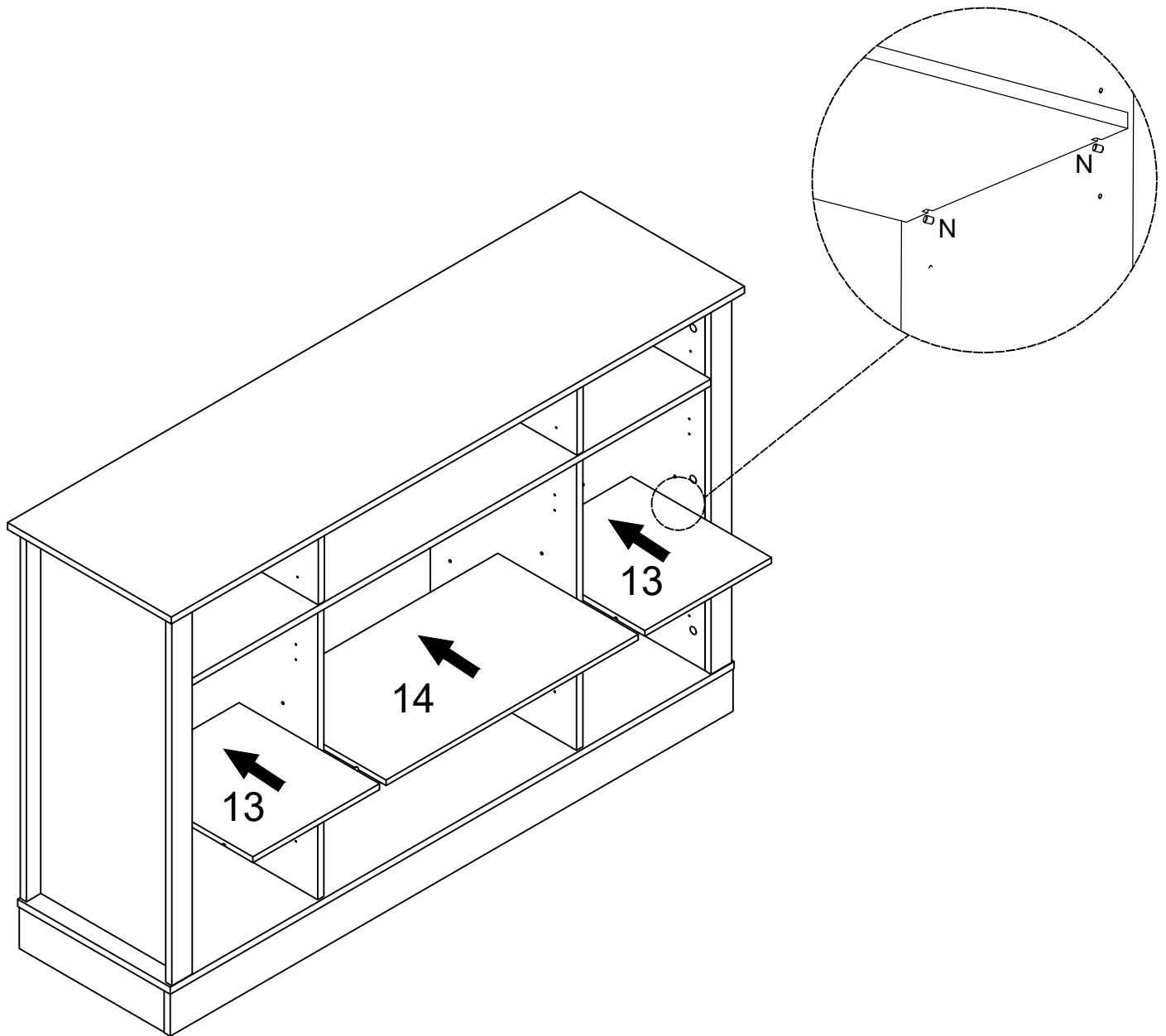
STEP 17

	
E	4PC


	
M4*18mm	
F	4PC

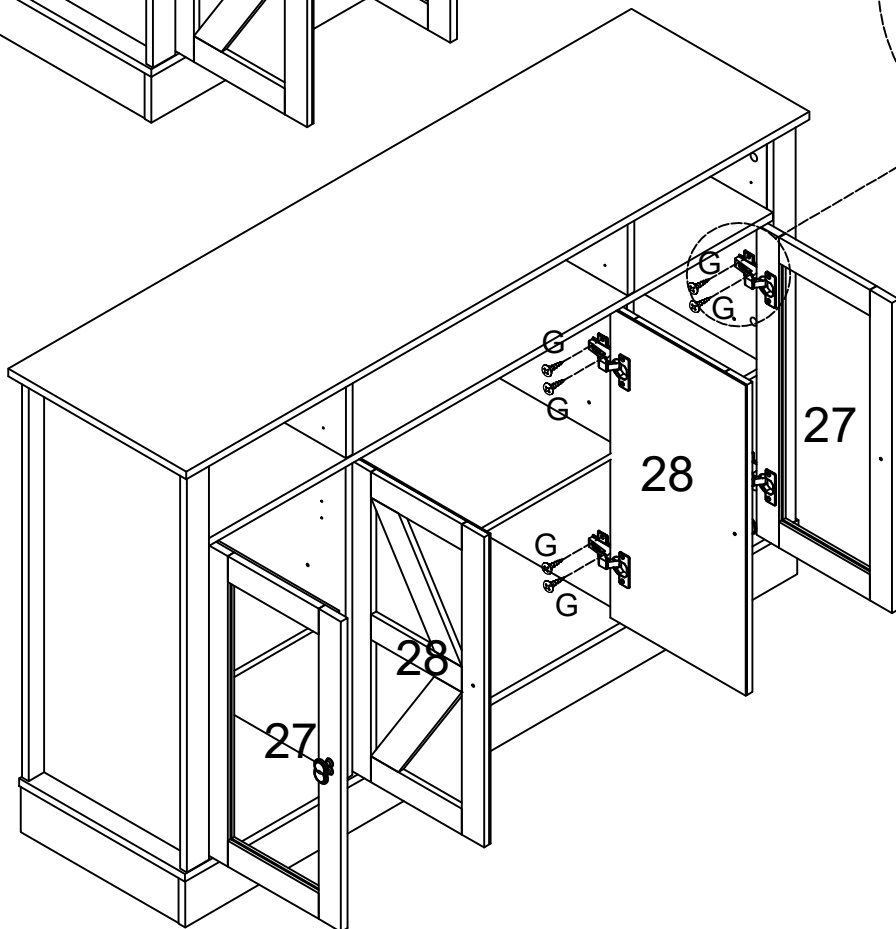
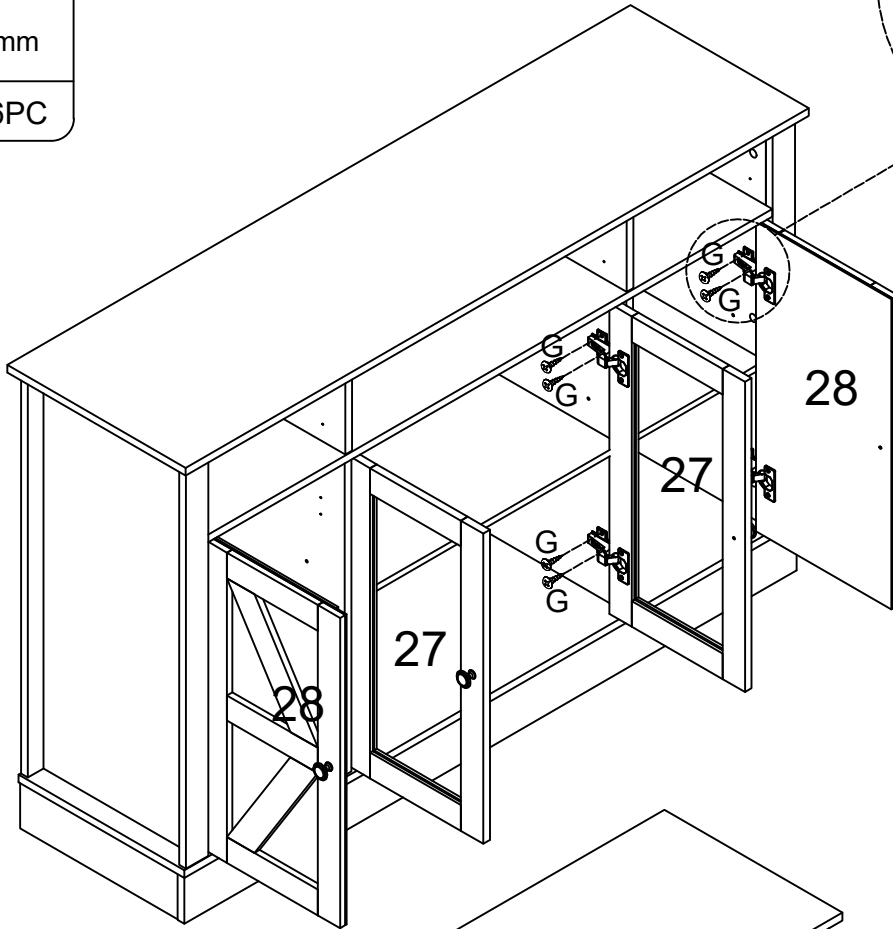


STEP 18

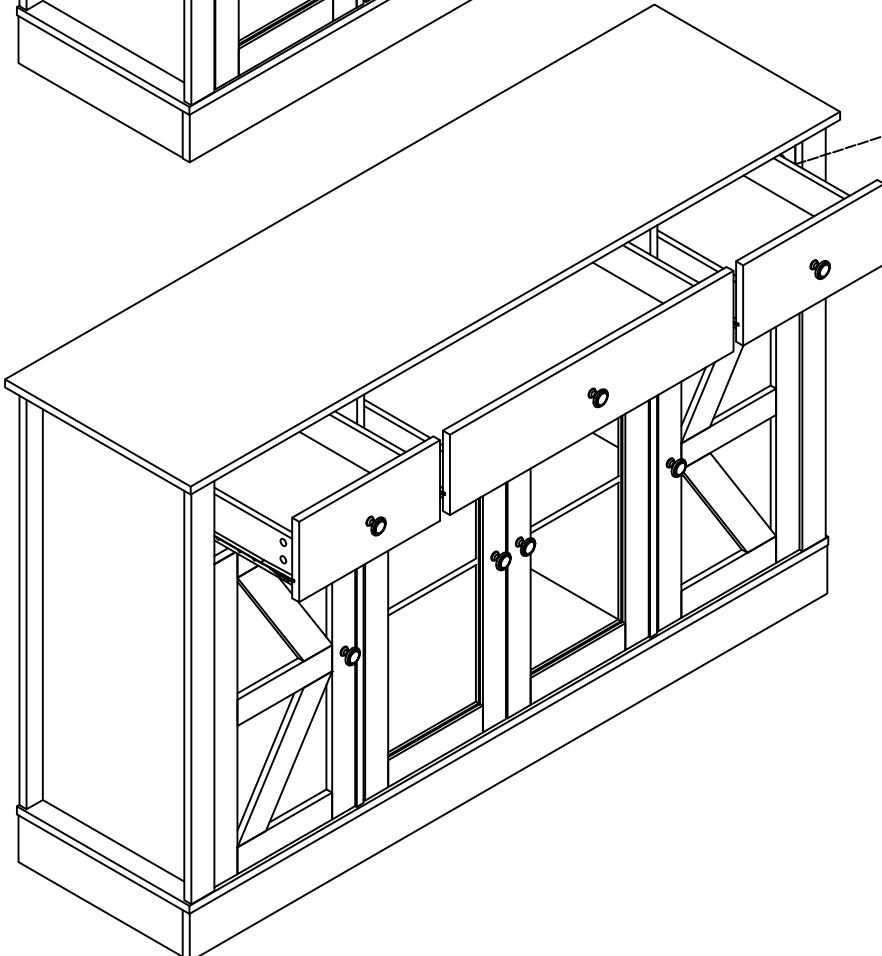
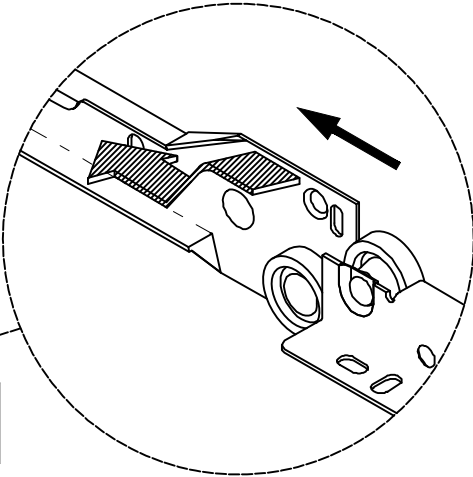
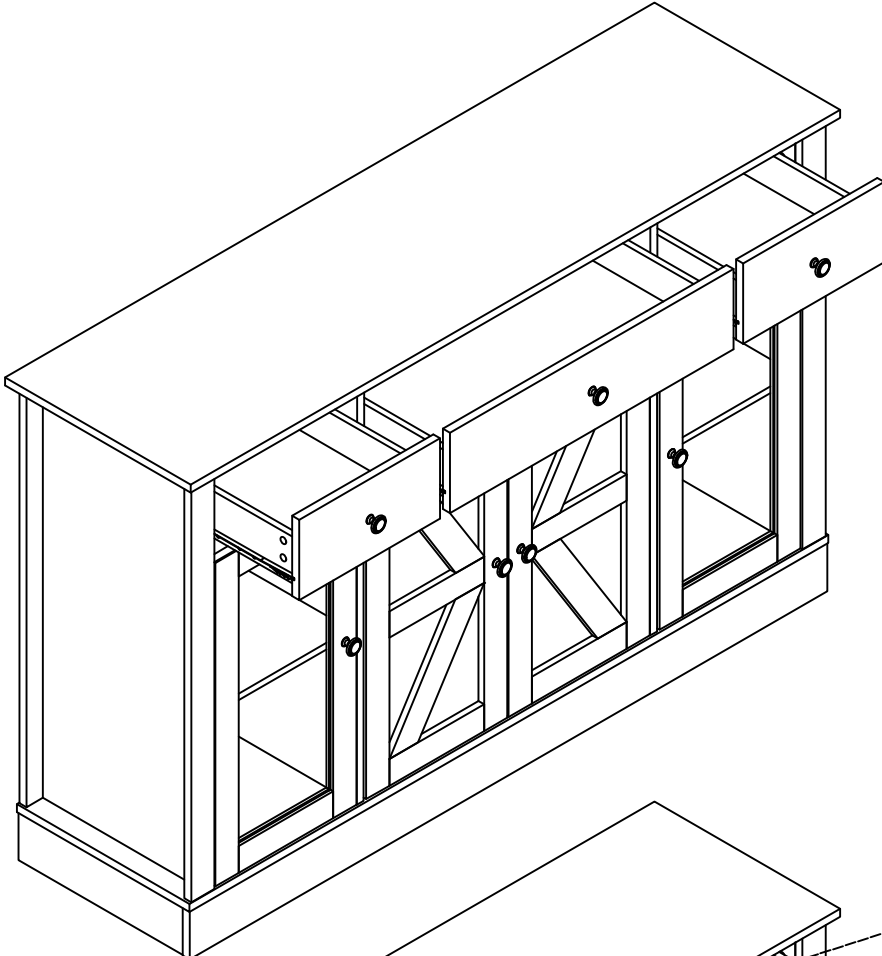


STEP 19

 ø3.5*14mm	
G	16PC



STEP 20



STEP 21

