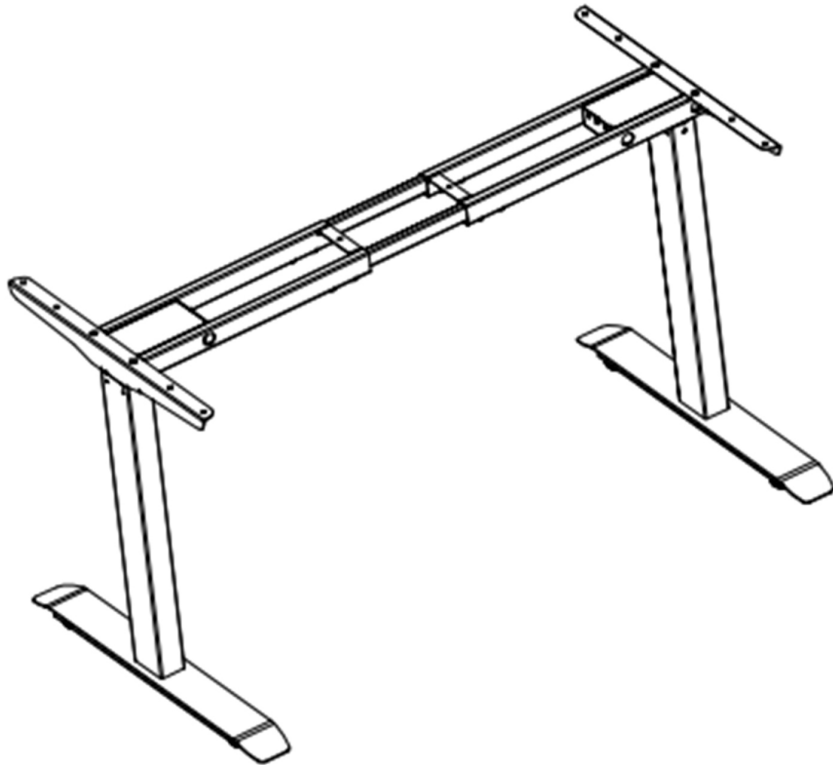












Universal Installation Manual for Dual-Motor Systems



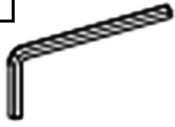









Components

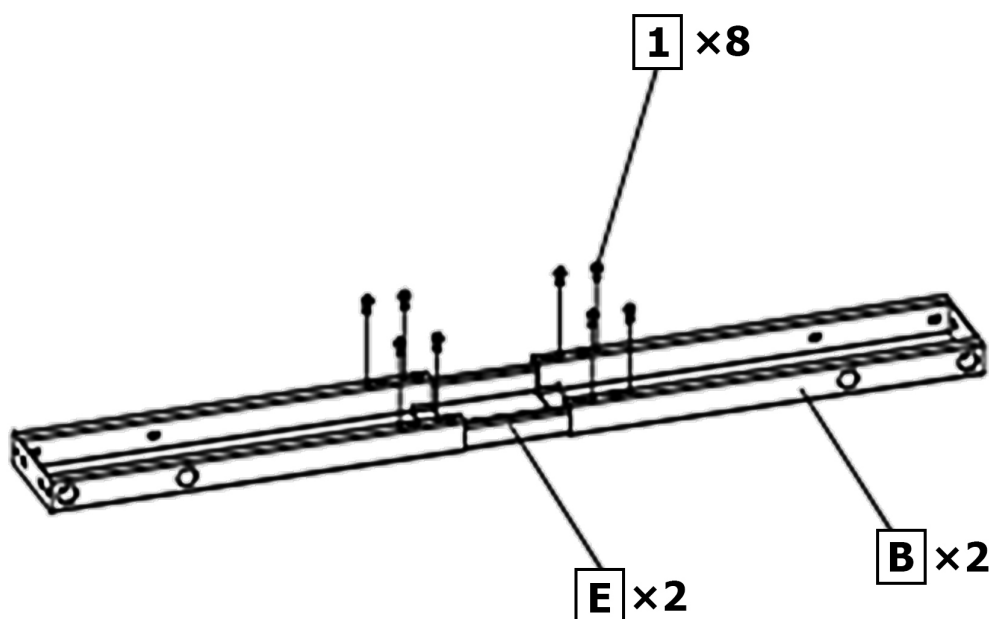
 <p>A-Column (2)</p>	 <p>B-Frame (2)</p>	 <p>C-Desk Leg (2)</p>	 <p>D-Side Panel (2)</p>
 <p>E-Connecting Rod (2)</p>	 <p>F-Hand Controller (1)</p>	 <p>G-Adapter Cable (1)</p>	 <p>H-Power Adapter (1)</p>
 <p>I-Cabinet Leg (1)</p>	 <p>J-Leg Guard (1)</p>		

The default password for the combination lock is three zeros

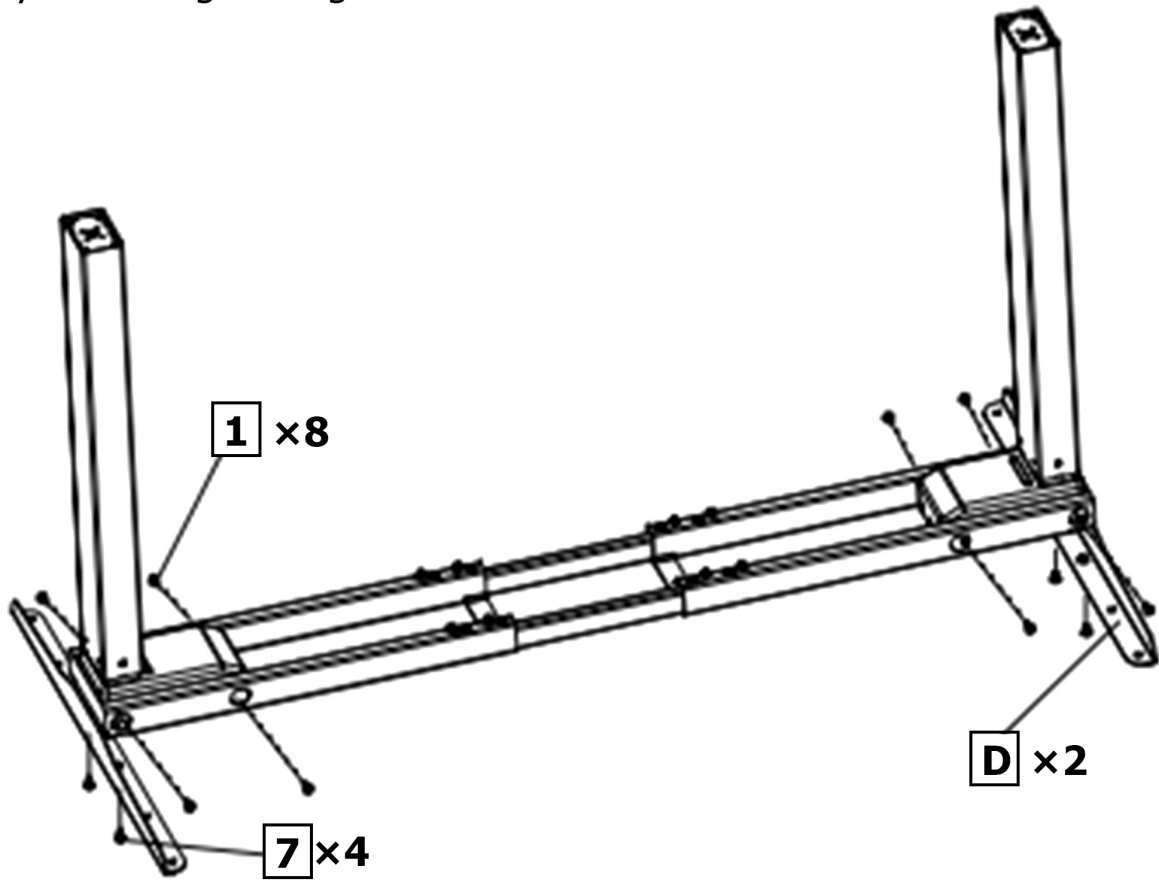
Screw Package List

<p>1</p>  <p>8 pieces are already installed on the frame. Screw M6*12 (16)</p>	<p>2</p>  <p>Screw M6*16 (8)</p>	<p>3</p>  <p>Wrench (1)</p>	<p>4</p>  <p>Screw ST4*16 (6)</p>	<p>Assembly Tools Required (to be provided by the user)</p>  <p>Phillips Screwdriver</p>
<p>5</p>  <p>Cable Ties (4)</p>	<p>6</p>  <p>Cabinet Feet (4)</p>	<p>7</p>  <p>Screw M6*10 (4)</p>	<p>8</p>  <p>Screw ST5*16 (10)</p>	
<p>9</p>  <p>Anti-Vibration Clips (10)</p>	<p>One spare screw of each type is included in the screw package</p>			

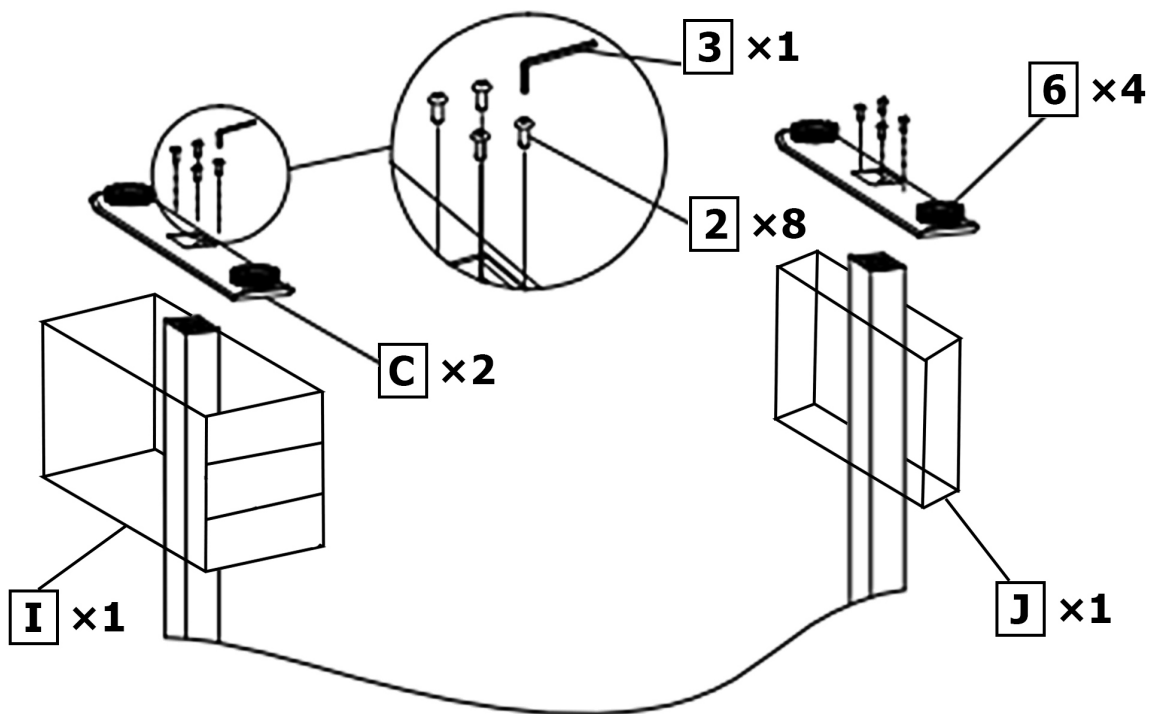
Step 1: Loosen the 8 screws and pull the frame apart to the suitable position.



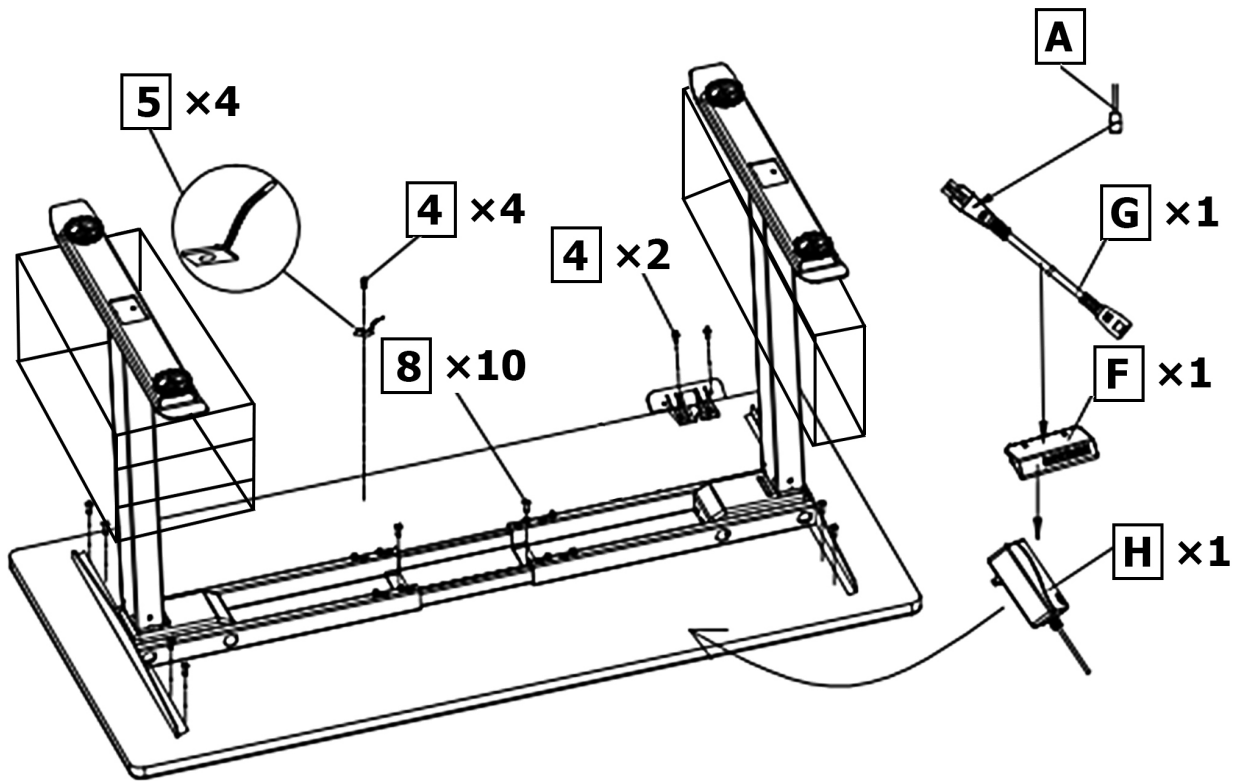
Step 2: Note: Do not fully tighten the 8 screws securing the columns and the frame at this stage. Wait until the desk frame is turned upright and placed steadily before tightening them.



Step 3: First, place the cabinet body and leg guards on the columns, then use screws to install the desk legs.



Step 4



After installation is complete, perform the reset operation according to the user manual. Once the reset is finished, test the full table's raising and lowering function.

Operation Instructions

I. Raising and Lowering the Desk

Simply hold down the ▲ key or the ▼ key to raise or lower the desk. Hold down the ▲ key to raise the desk and observe the increasing height value (displayed numbers) on the three-digit display; hold down the ▼ key to lower the desk and observe the decreasing height value.

II. Preset Height Memory and Recall

1. Saving a Preset Height:

Adjust the desktop to the desired height using the ▲ or ▼ key. Press the **S** key once, and the height value will start flashing. At this point, press a number key (1, 2, or 3) to save the current height to the corresponding memory position. Press the **S** key again while flashing, or if no number key is pressed within 6 seconds, the memory mode will exit.

2. Recalling a Preset Height:

Press a number key once to recall its corresponding memorized height. The desk will automatically move to that height.

During the movement, the controller displays the target height. After stopping, it displays the current height.

III. Wake from Sleep

When the controller is in sleep mode and the display is off, press any key to illuminate the digital display.

(Optional Configuration) Child Lock: Activate by pressing **S** + Down key. Deactivate by pressing **S** + Down key and holding for 5 seconds.

IV. Protection and Alarms

1. Obstruction Protection: Displays "**E02**". Triggers an alarm and stops immediately if the table vibrates excessively, collides, or tilts during movement. It will automatically reverse a set distance to release the protection, or pressing any key during the reverse movement will stop and cancel it. Check and ensure the table operates without significant vibration, obstruction, or tilt before resuming.

2. Overheat Protection: Displays "**Hot**". May activate after prolonged continuous operation. Reconnect the power or wait at least 18 minutes before resuming use.

3. Motor Anomaly Protection: Displays "**E10**". Power off the system, thoroughly check and ensure the motor-controller connection is secure, then restore power.

4. Overload Protection: Displays "**E20**". If this occurs during upward movement, remove some weight from the table before resuming. If it occurs during downward movement, power off, remove some weight, then restore power.

5. Undervoltage Protection: Displays "**E31**". Power off the system, recheck and ensure the power supply-controller connection is secure, then restore power.

6. Overvoltage Protection: Displays "**E32**". Power off the system, recheck and ensure the power supply-controller connection is secure, then restore power.

V. Stroke Reset

Under "**E10**", "**E20**", or "**E60**" alarm conditions, or after descending to the lowest height, press and hold the ▼ key for 5-8 seconds until "**RESet**" is displayed. After the minimum height number appears, release the key. The desk will descend fully, rebound to a certain height, and complete the reset, displaying the minimum height.

During wiring installation, connect the motor wires first, and the power wire last. Otherwise, you will need to perform a reset by holding the ▼ key for 5-8 seconds.

VI. Parameter Settings

1. Hold the **S** key for 3 seconds. The display will show "**S--**" and begin flashing.

2. Press the **S** key again to enter setup mode. The function name will be displayed. Configurable parameters include:

- Display unit for desk height: Unit (1n)
- Display brightness: Brightness (br)
- Buzzer switch: Beep (bEE)
- Collision protection strength: CollisionForce (F)
- Tilt protection level: Slope (SLP)
- Use height limit setting: Set Height (SH)
- Operation mode for recalling presets: RecallPreset (rP)

Button functions in setup mode:

1/ (Back): Returns to the previous menu.

▲/▼ (Arrow Keys): Toggle between options.

S/▶ (Confirm): Confirms entering the sub-menu of the current interface or confirms the selection of the current parameter.

Setup mode will automatically exit if no key is pressed within 20 seconds.

Main Menu	Submenu	Description
Un Unit	SI SI Metric	Upon entry, the previously set height unit is displayed. Use ▲/▼ to toggle between options (SI, In). Press S to save. The selection is shown for 2s before exiting.
	In Inch	
br Brightness	L Low	Upon entry, the previously set brightness is displayed. Use ▲/▼ to toggle between options (L, N, H). Press S to save. The selection is shown for 2s before exiting.
	N Normal	
	H High	
bEE Beep	OFF Off	Upon entry, the previously set buzzer state is displayed. Use ▲/▼ to toggle between options (Off, On). Press S to save. The selection is shown for 2s before exiting.
	On On	
CF Collision Force	OFF Off	Upon entry, the previously set collision sensitivity level is displayed. Use ▲/▼ to toggle between options (Off, L, N, H). Press S to save. The selection is shown for 2s before exiting.
	L Light	
	N Normal	
	H Heavy	

SLP Slope	OFF Off	Upon entry, the previously set tilt protection level is displayed. Use ▲/▼ to toggle between options (Off, L, N, H). Press S to save. The selection is shown for 2s before exiting.	
	L Light		
	N Normal		
	H Heavy		
SH Set Height	O Original Starting Height ①②	Upon entry, you can use the ▲/▼ keys to toggle between the options (Original, Low, High). Once selected, press the S key to enter the parameter settings for the corresponding function.	Upon entry, the previously set starting height is displayed; press ▲/▼ to adjust it, then press S to confirm, save the current value, and exit the setup mode.
	L Low Minimum Height Limit ①③		Upon entry, the previously set minimum height limit is displayed; press ▲/▼ to adjust it, then press S to confirm, save the current value, and exit the setup mode.
	H High Maximum Height Limit ①③		Upon entry, the previously set minimum height limit is displayed; press ▲/▼ to adjust it, then press S to confirm, save the current value, and exit the setup mode.
rP Recall Preset	Hd Hold Down	Upon entry, the previously set preset recall mode is displayed. Use ▲/▼ to toggle between options (Hd, C). Press S to save. The selection is shown for 2s before exiting.	
	C Click		