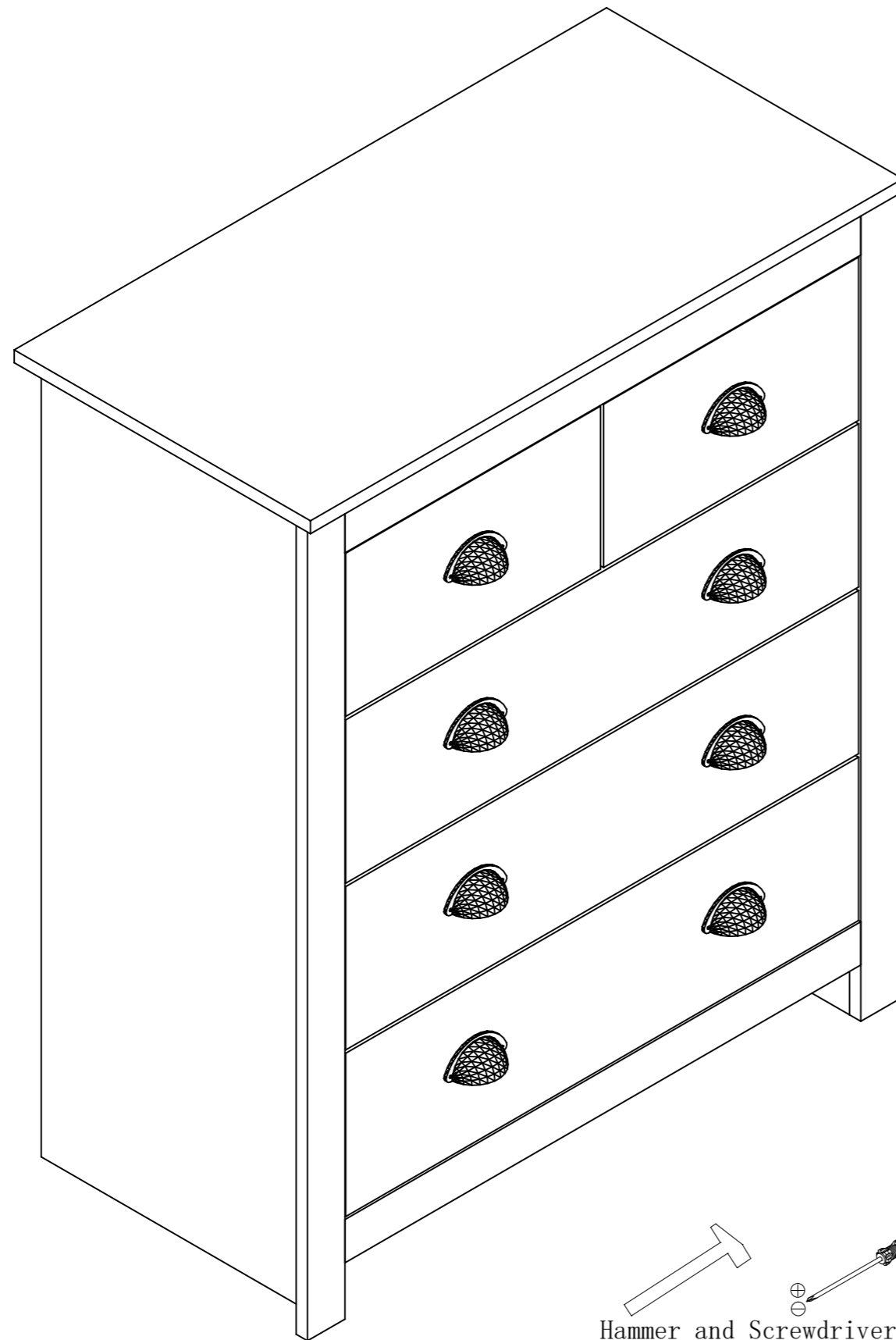
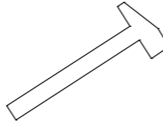
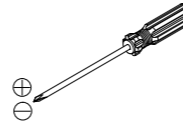
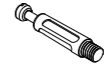

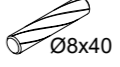






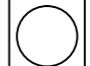




Assembly Instruction

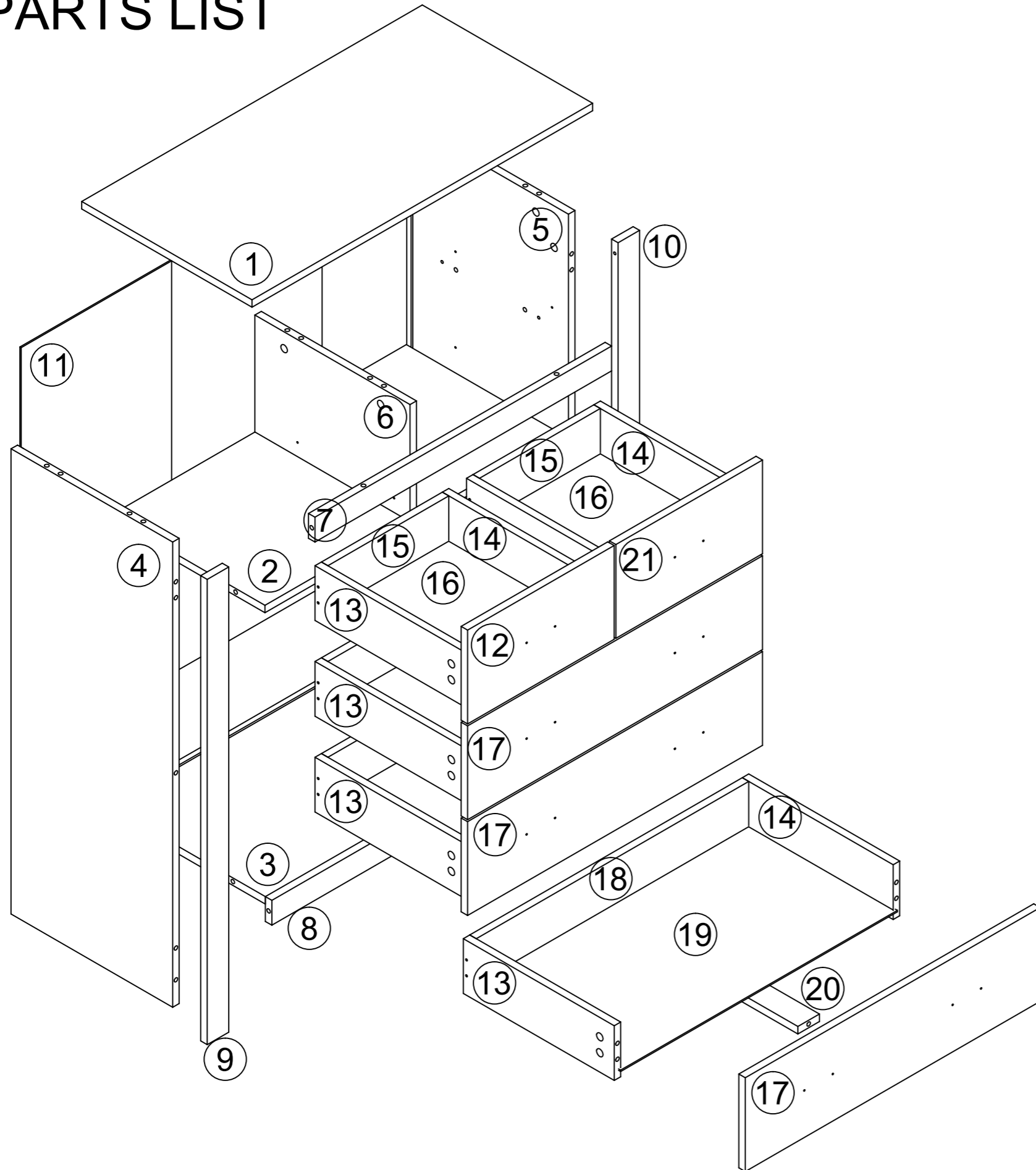




 Hammer and Screwdriver
 are not included !!



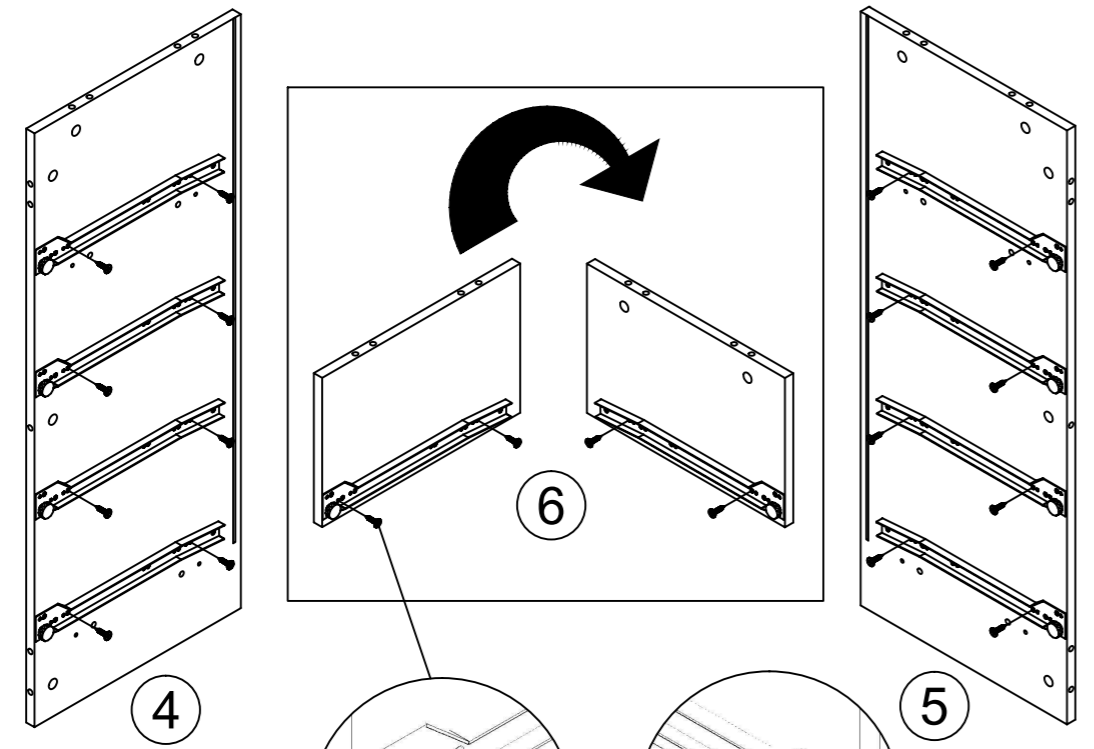
NO.	QTY.	LINEDRAWING
(A)	54	
(B)	54	
(C)	18	
(D)	2	
(E)	20	
(F)	8	
(G)	66	
(H)	5	
(I)	4	
(J)	54	
(K)	20	
(L)	2	



PARTS LIST



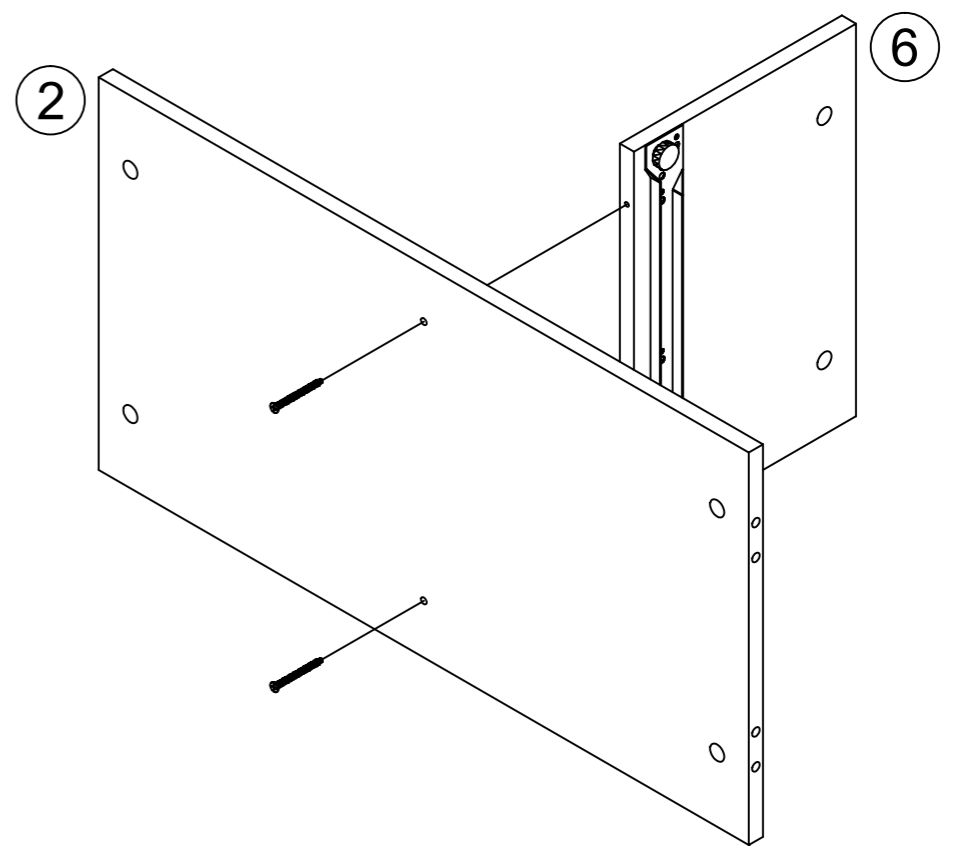
NO.	QTY.	NO.	QTY.
①	1	②①	1
②	1		
③	1		
④	1		
⑤	1		
⑥	1		
⑦	1		
⑧	1		
⑨	1		
⑩	1		
⑪	1		
⑫	1		
⑬	5		
⑭	5		
⑮	2		
⑯	2		
⑰	3		
⑱	3		
⑳	3		

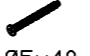
1



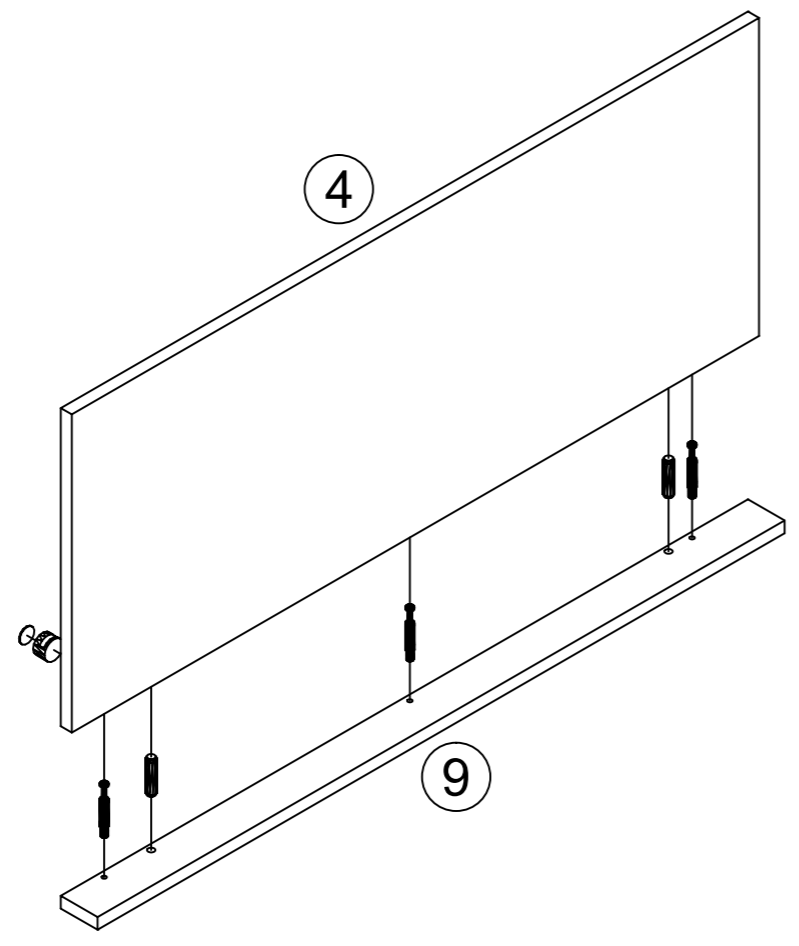
H		G	
	5x		Ø3.5x14 20x




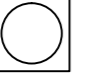
2



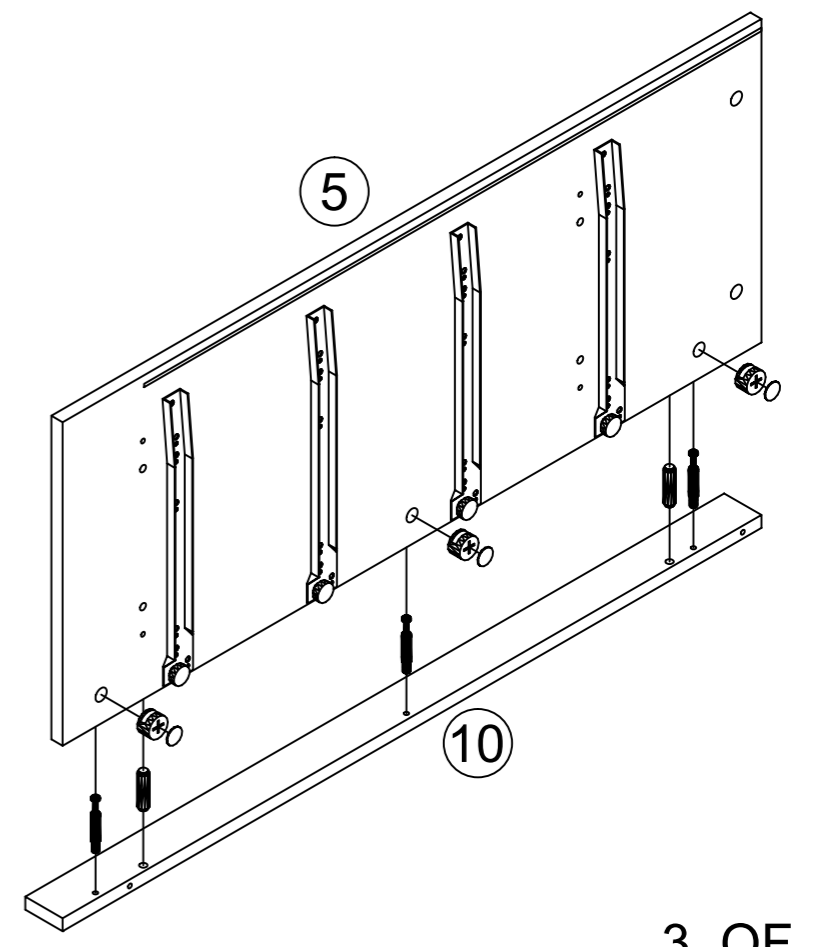
D	
	Ø5x40 2x





3



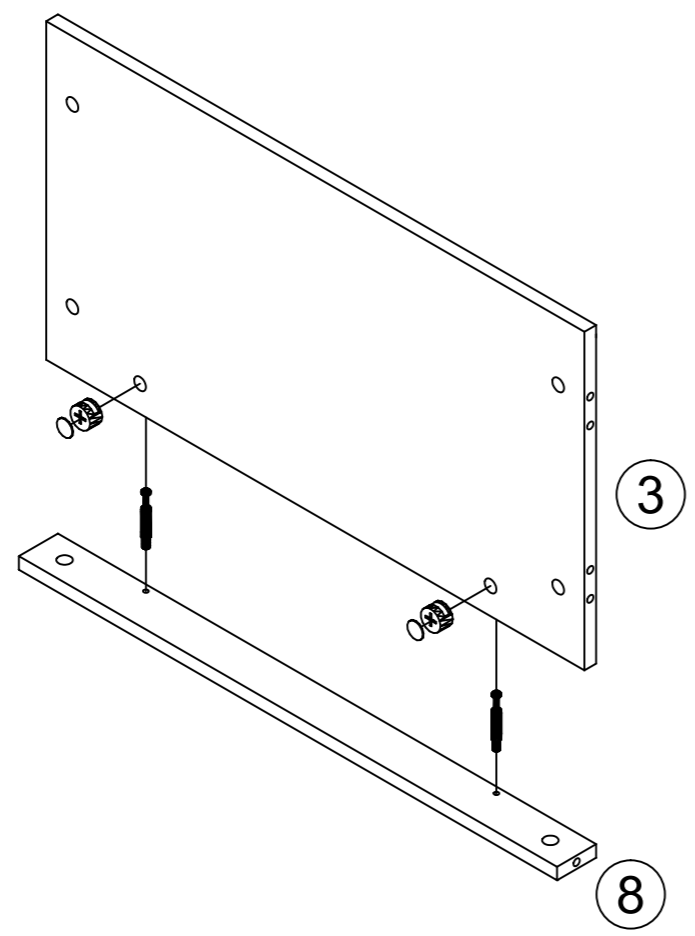
A		B	
	3x		3x
C		J	
	2x		3x

4



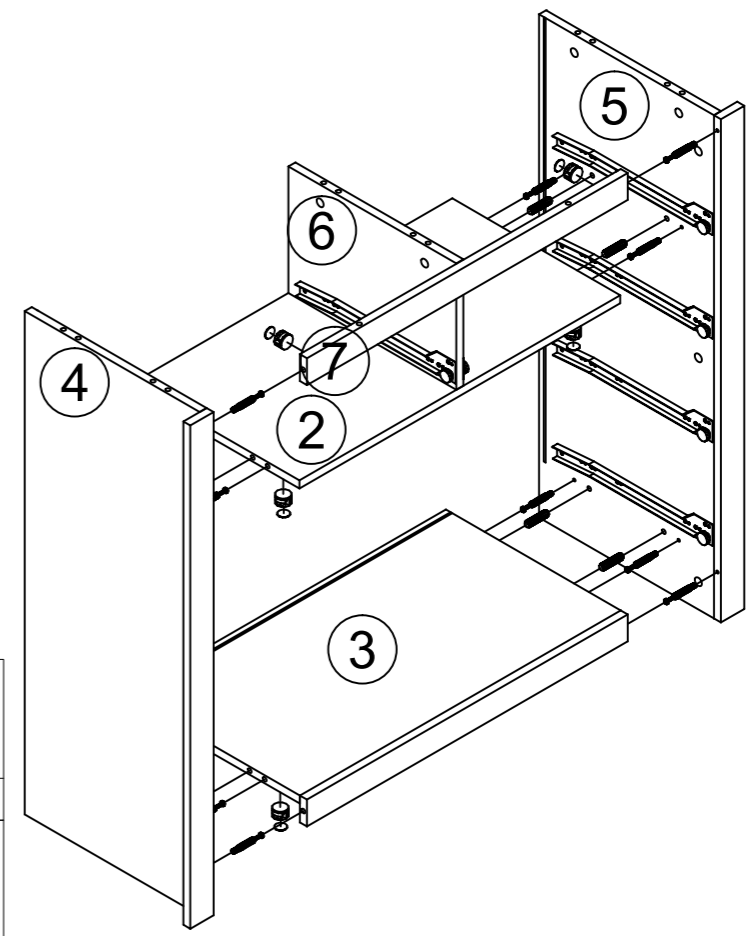
A		B	
	3x		3x
C		J	
	2x		3x

5



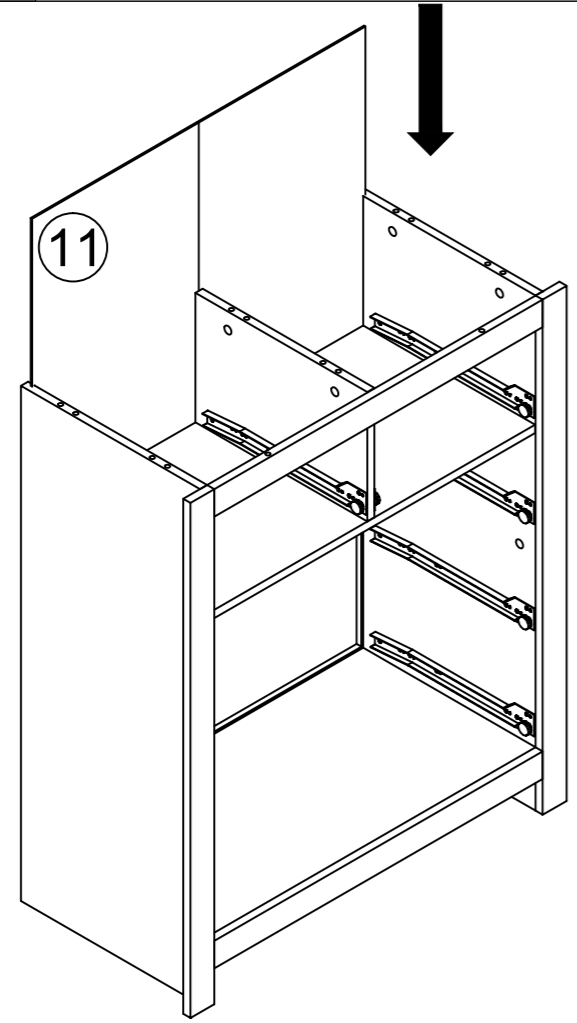
A		2x
B		2x
J		2x

6

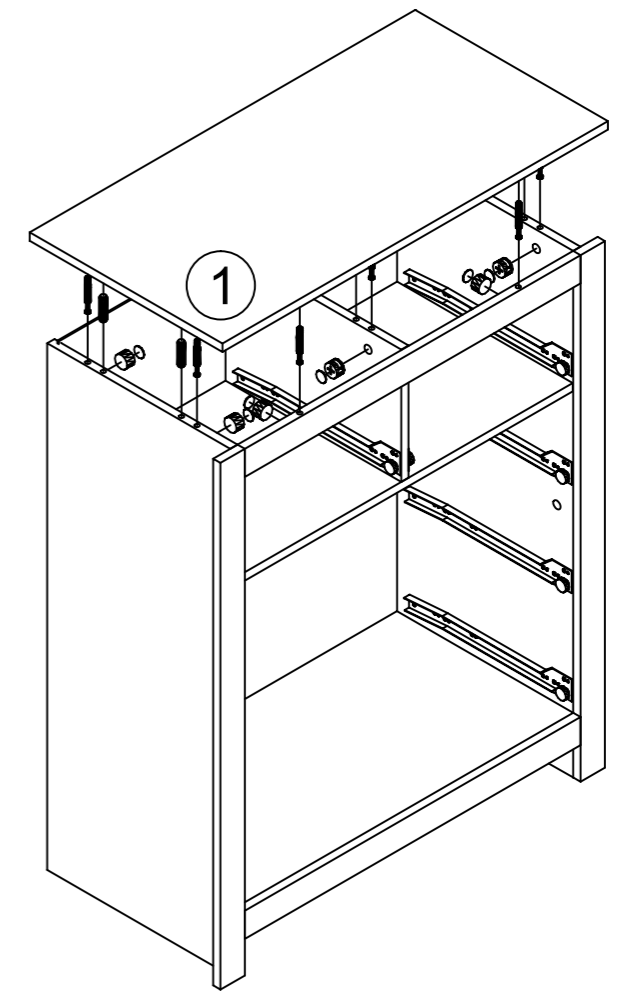


A		12x
B		12x
C		8x
J		12x

7

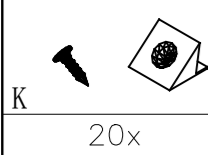
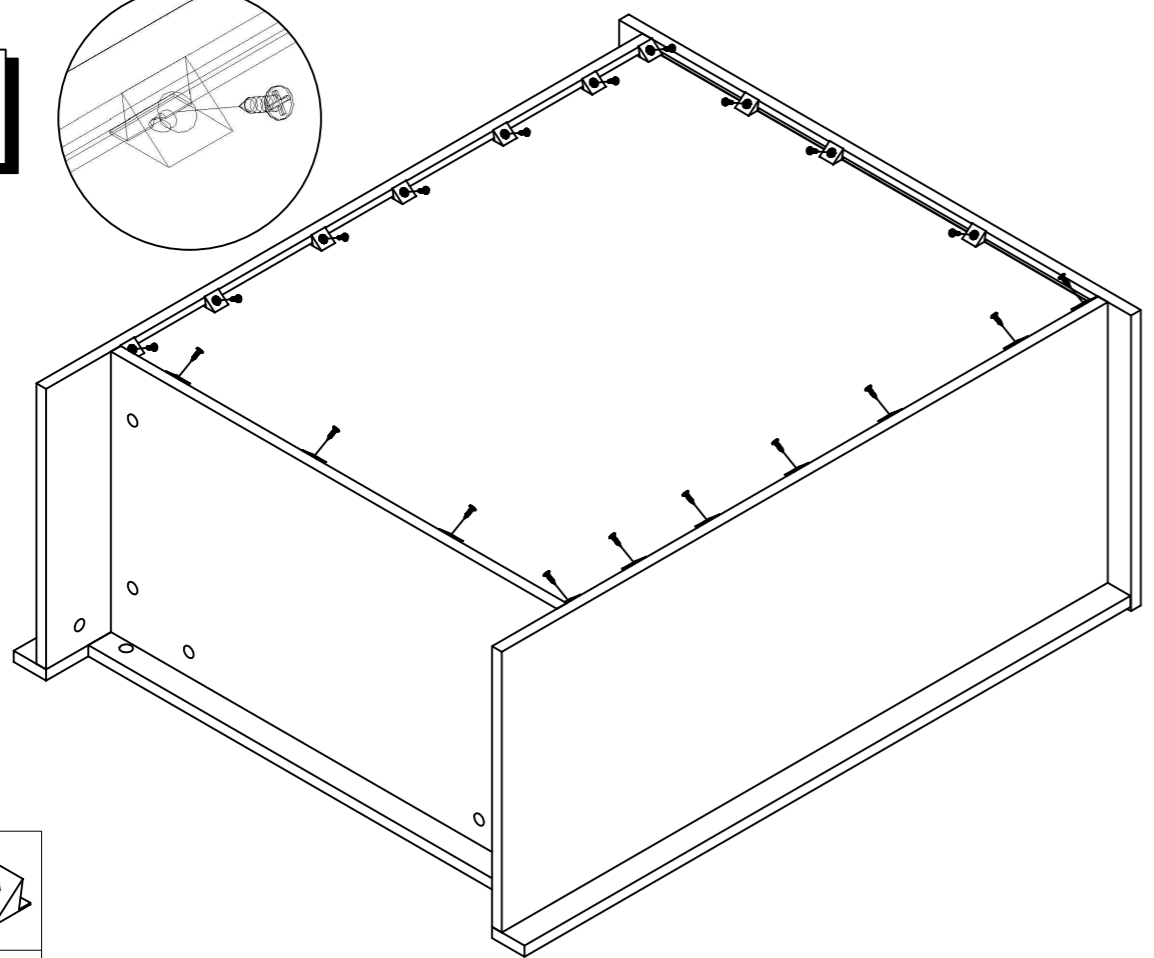
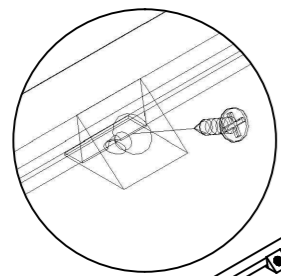


8

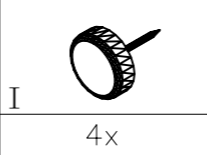
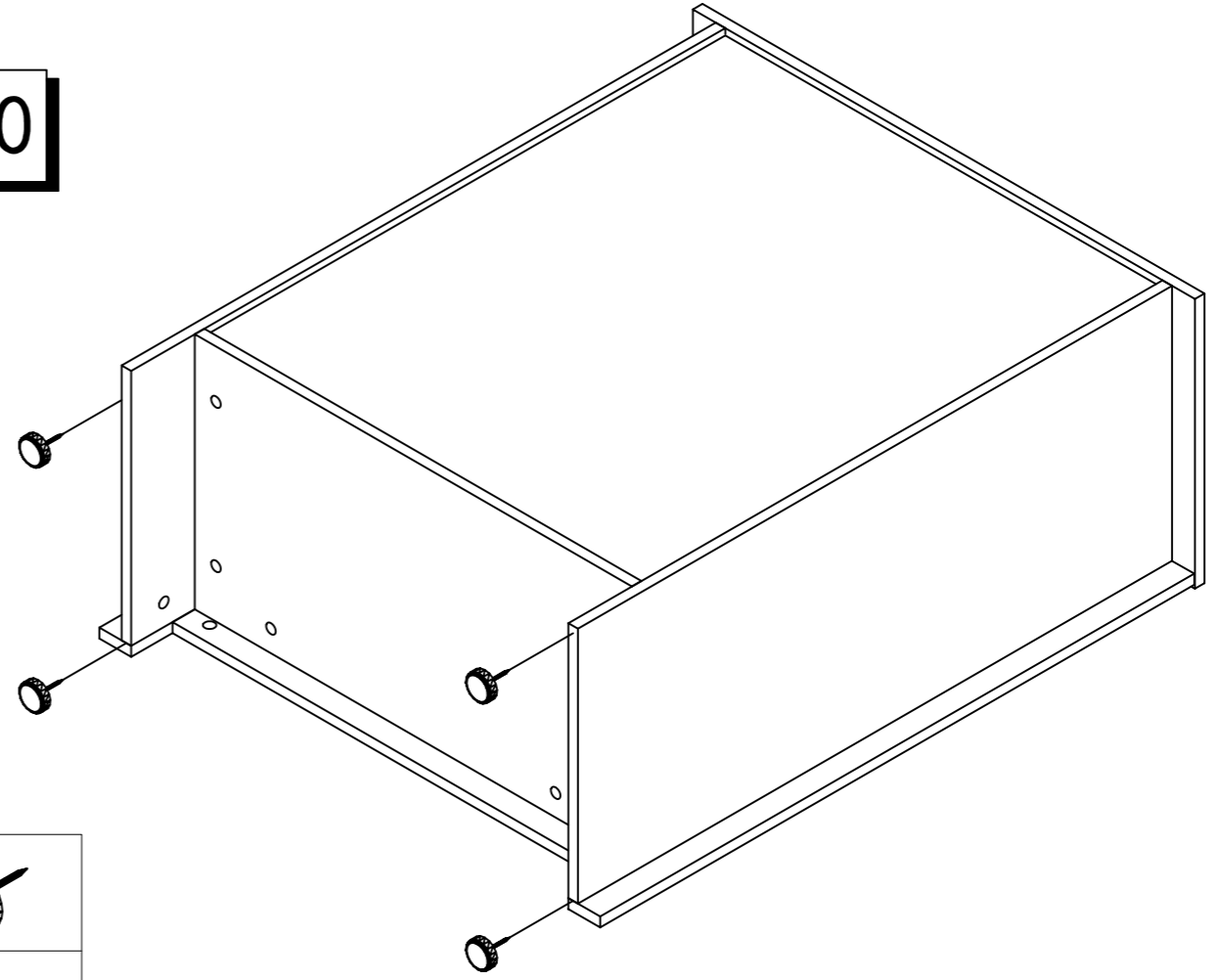


A		8x
B		8x
C		6x
J		8x

9

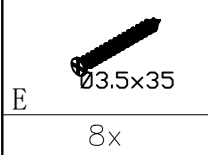
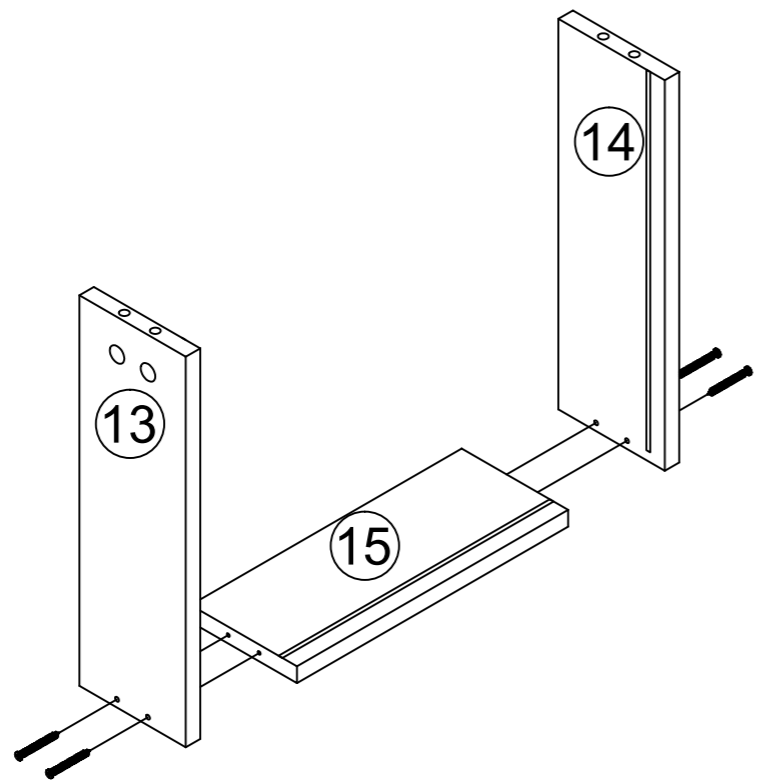


10

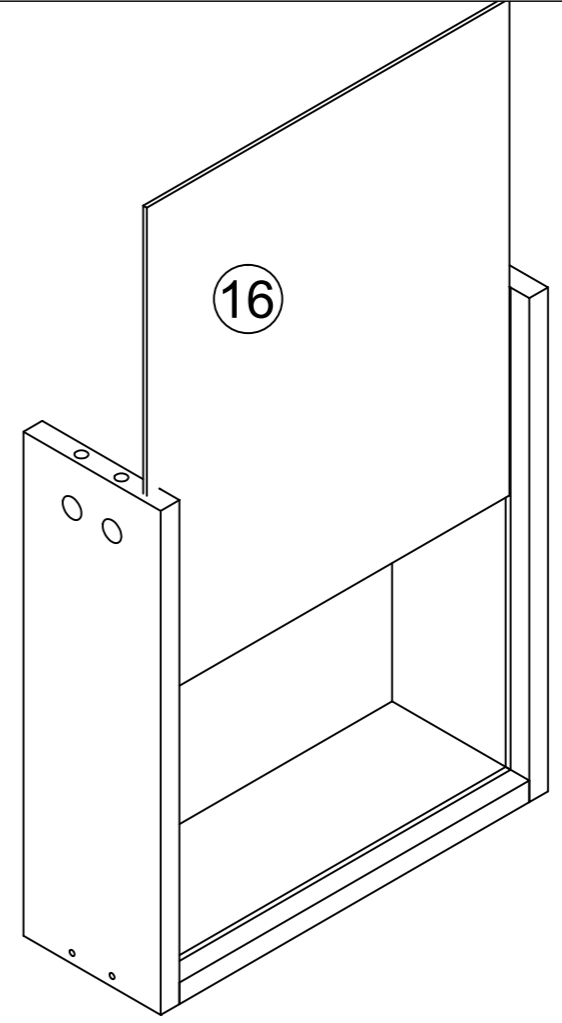


X2

11



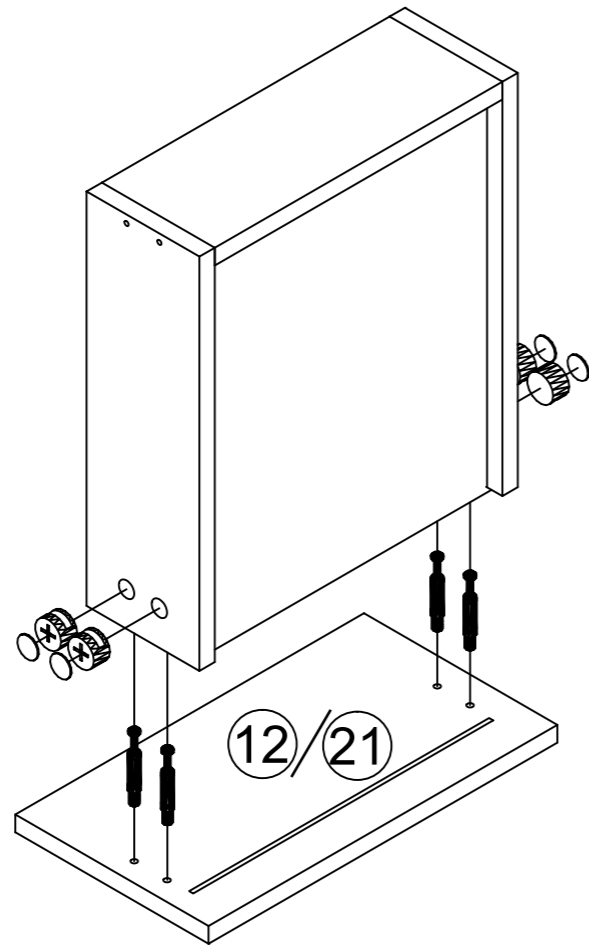
12

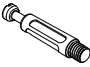

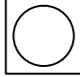


X2

13

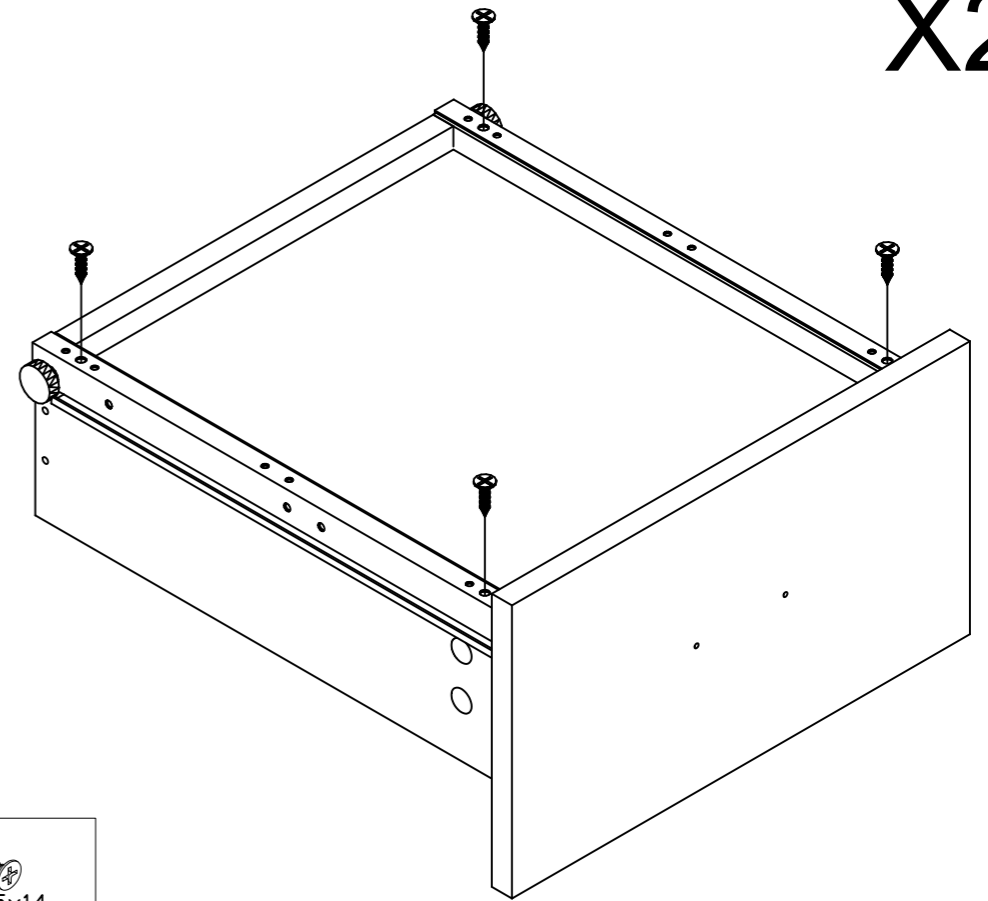
X2





A		8x
B		8x
J		8x

14

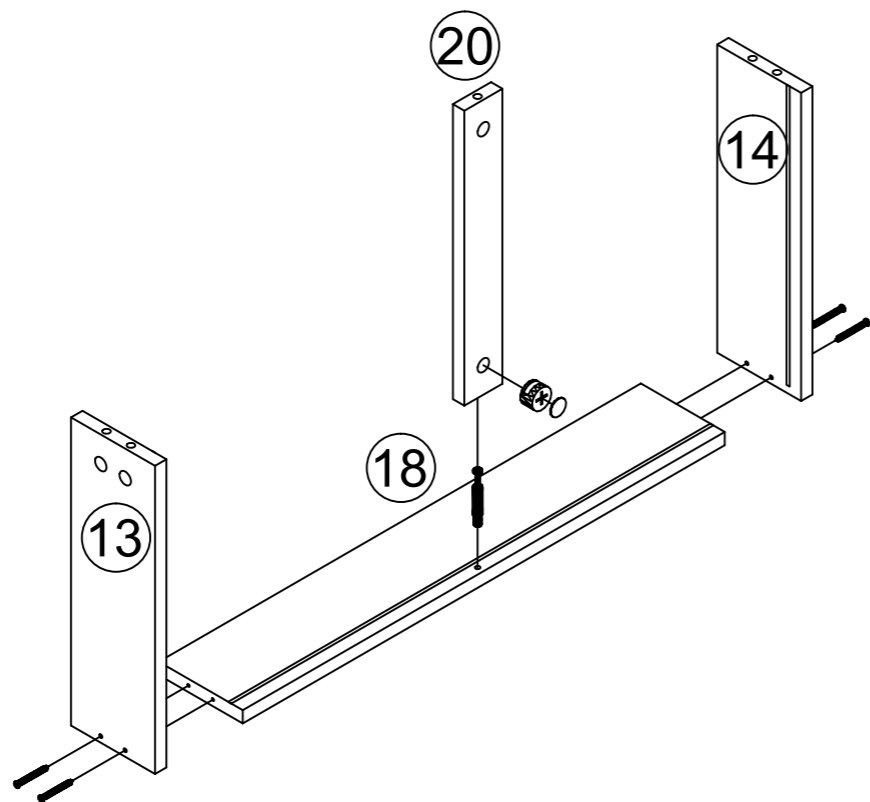
X2

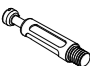


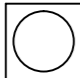


H		2x
G		8x

15

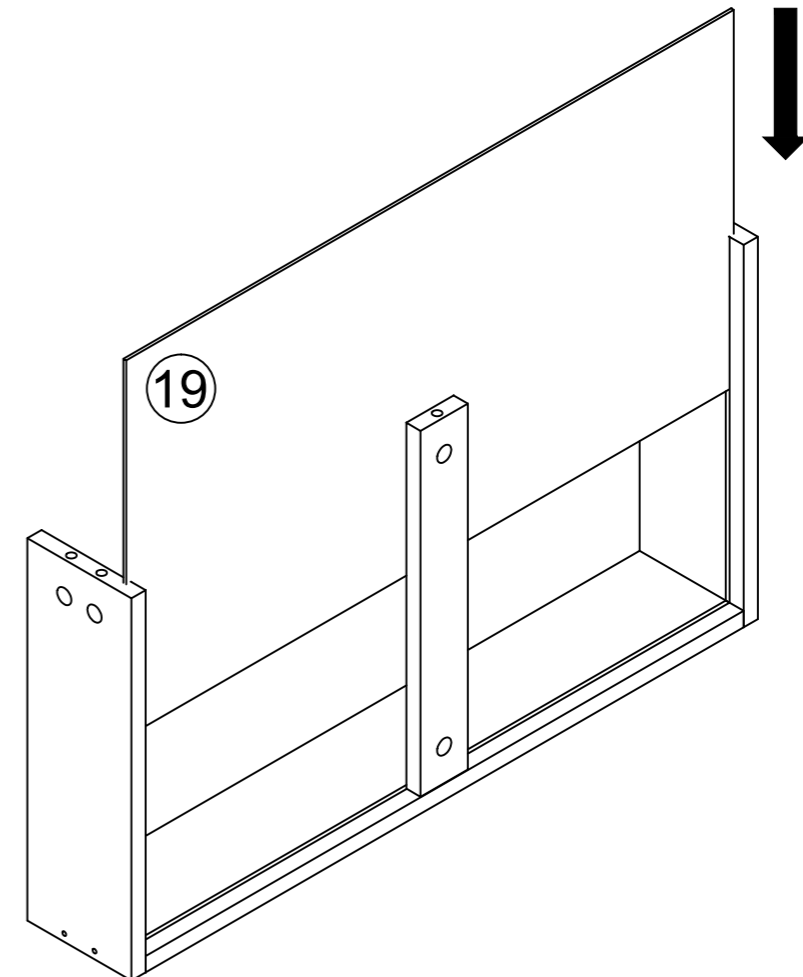
X3



A		3x
B		3x
E		12x
J		3x

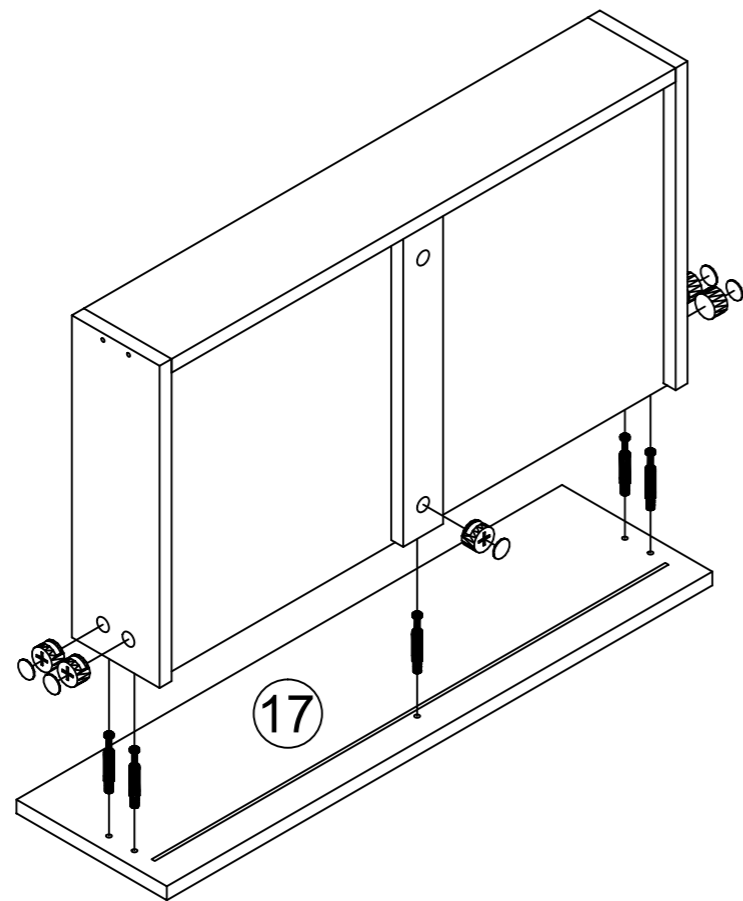
16

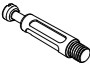

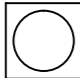
X3



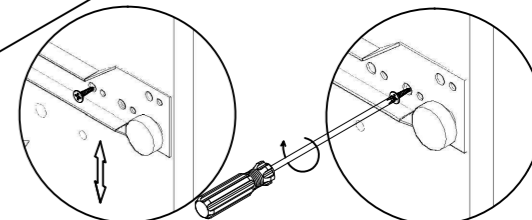
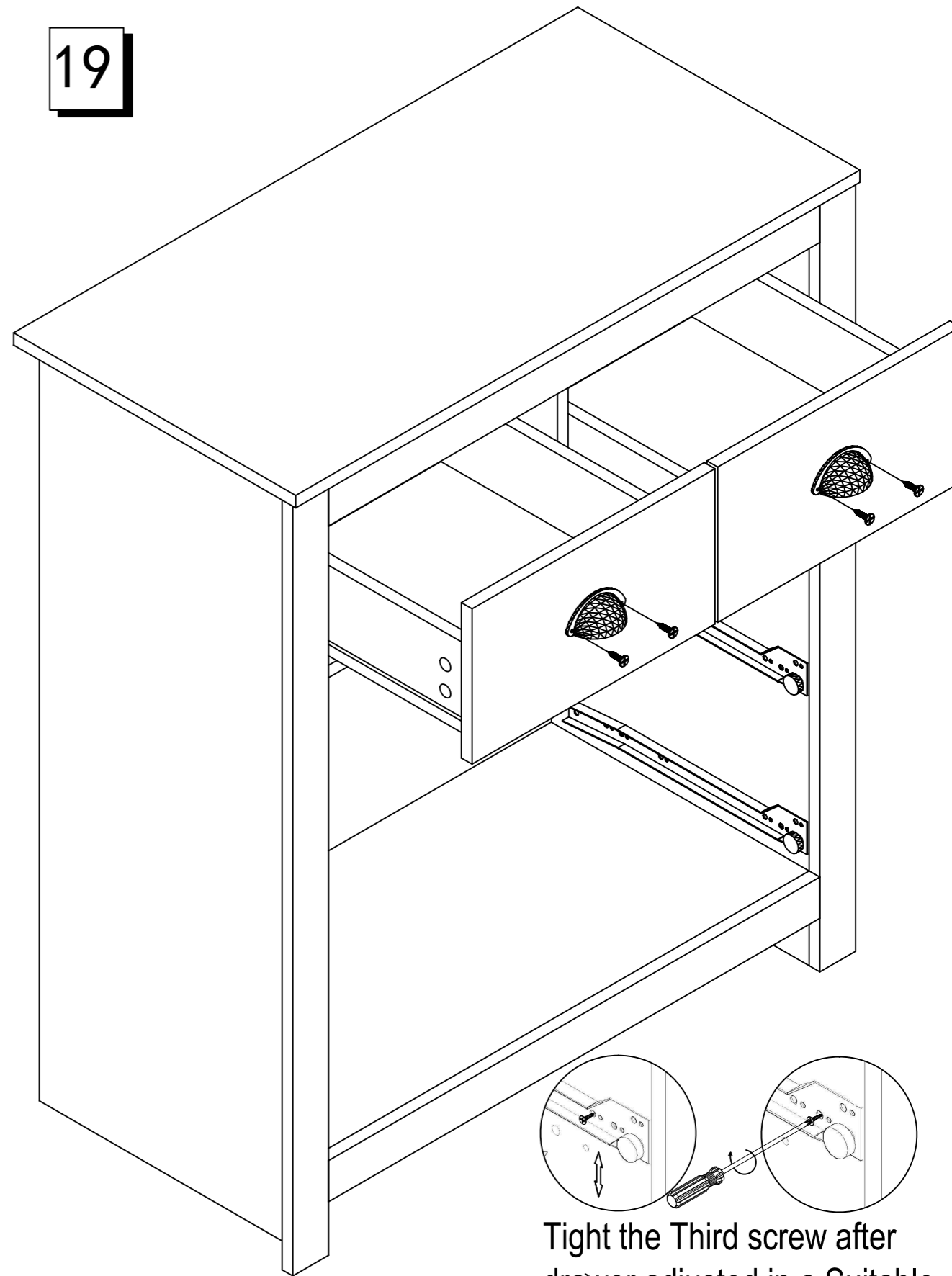
17

X3



A		15x
B		15x
J		15x

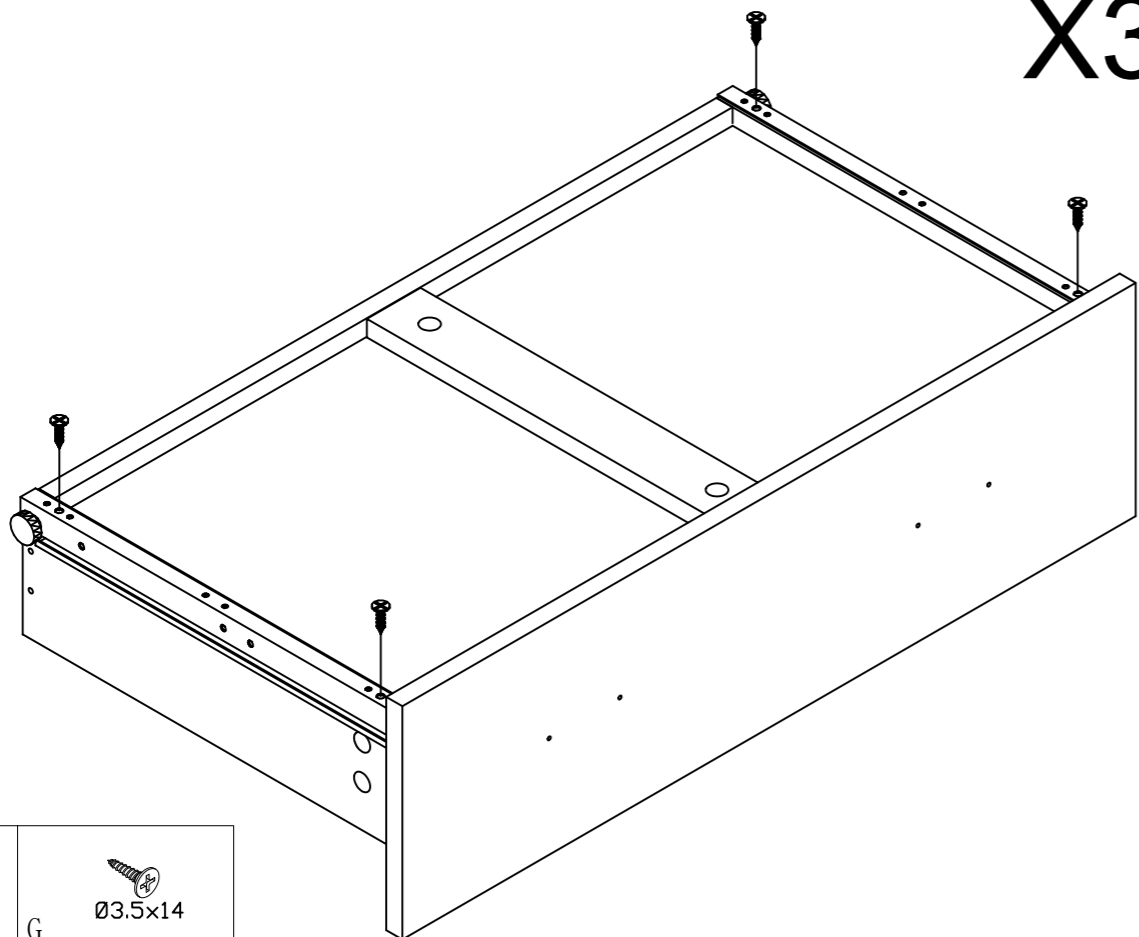
19







Tight the Third screw after drawer adjusted in a Suitable location.

18

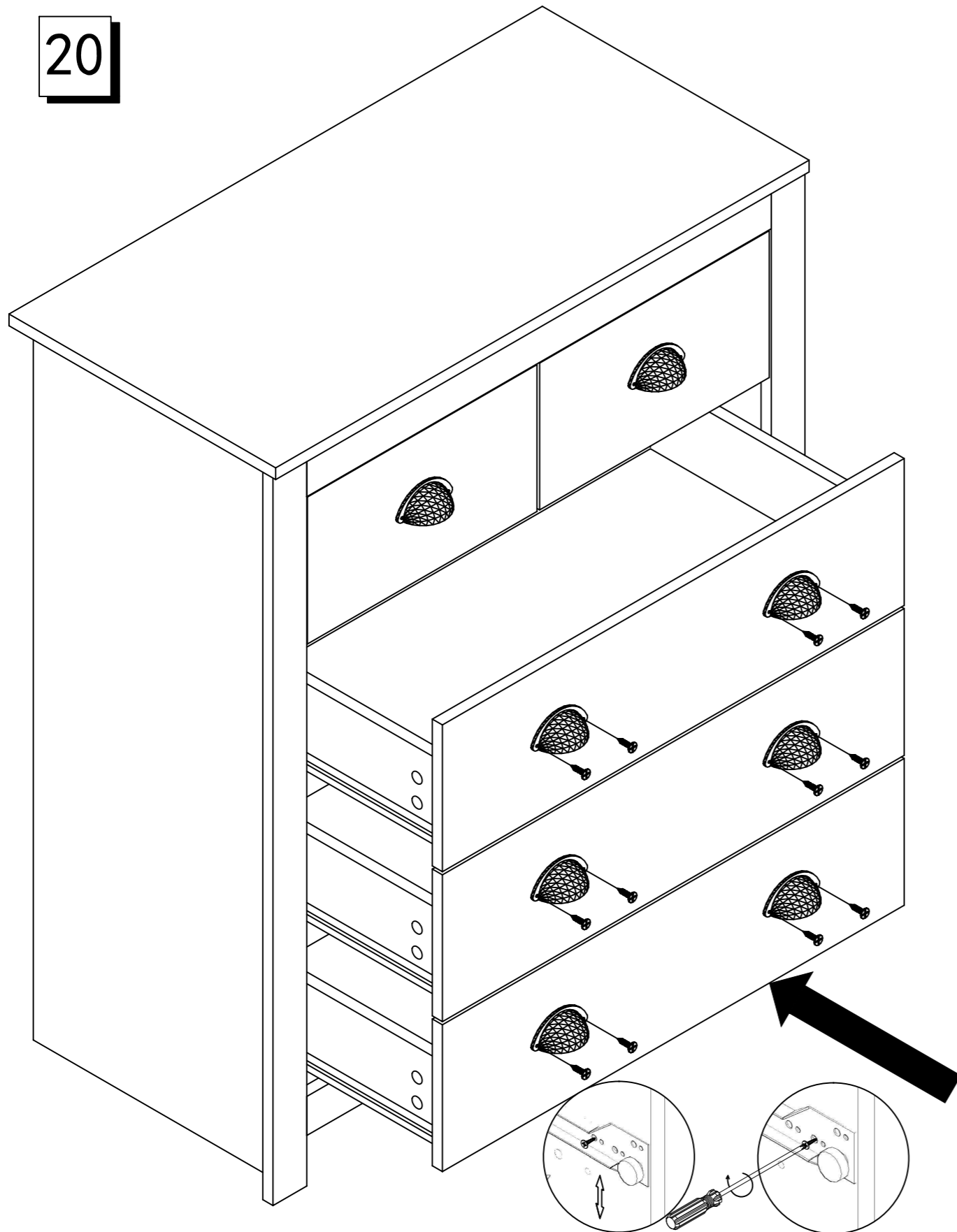
X3





H		3x
G		12x

F		2x
G		8x

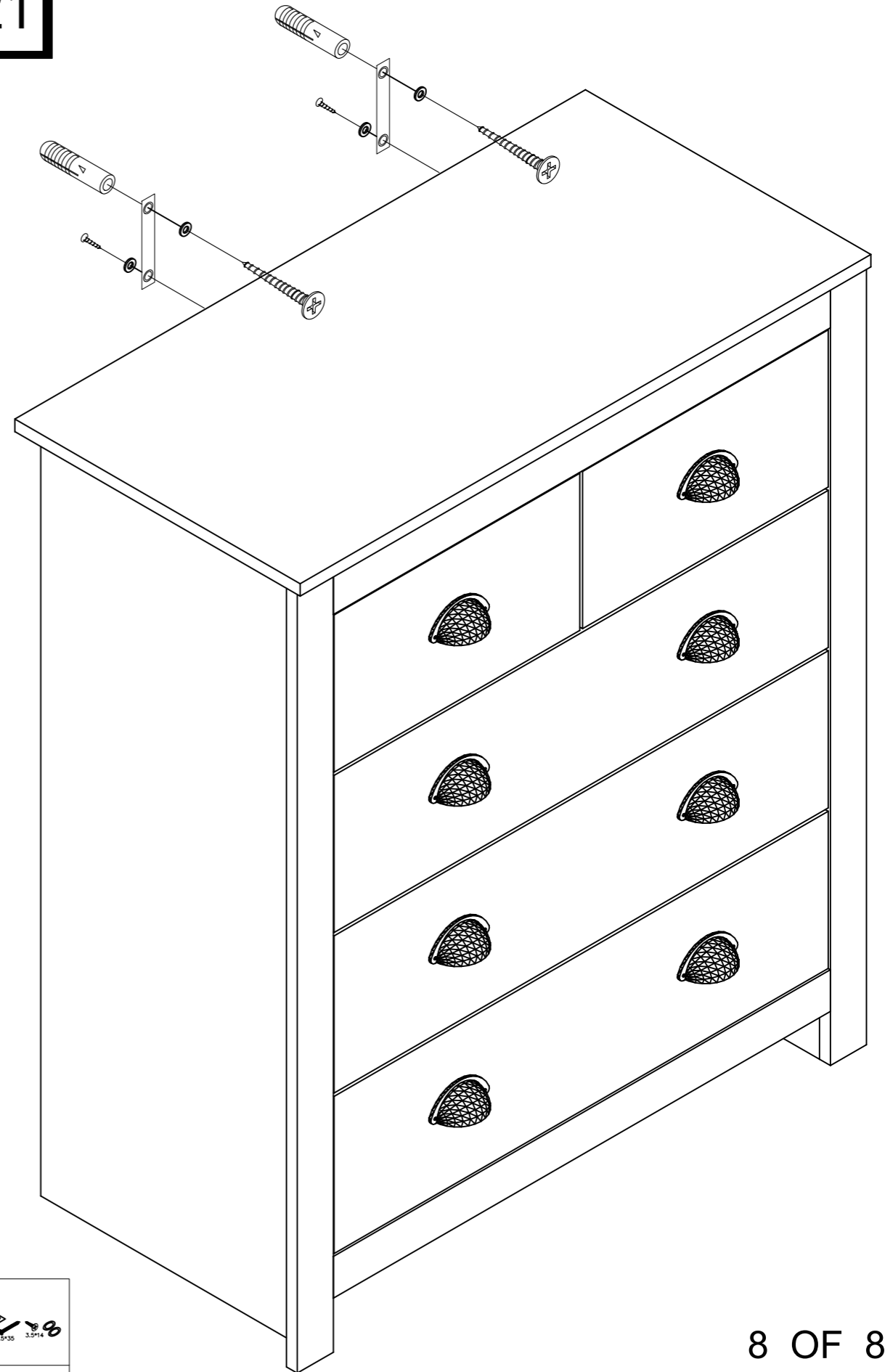
20




Tight the Third screw after
drawer adjusted in a Suitable
location.

 F 6x	 G Ø3.5x14 18x
--	--

21



 L 2x
--