

**drawer**

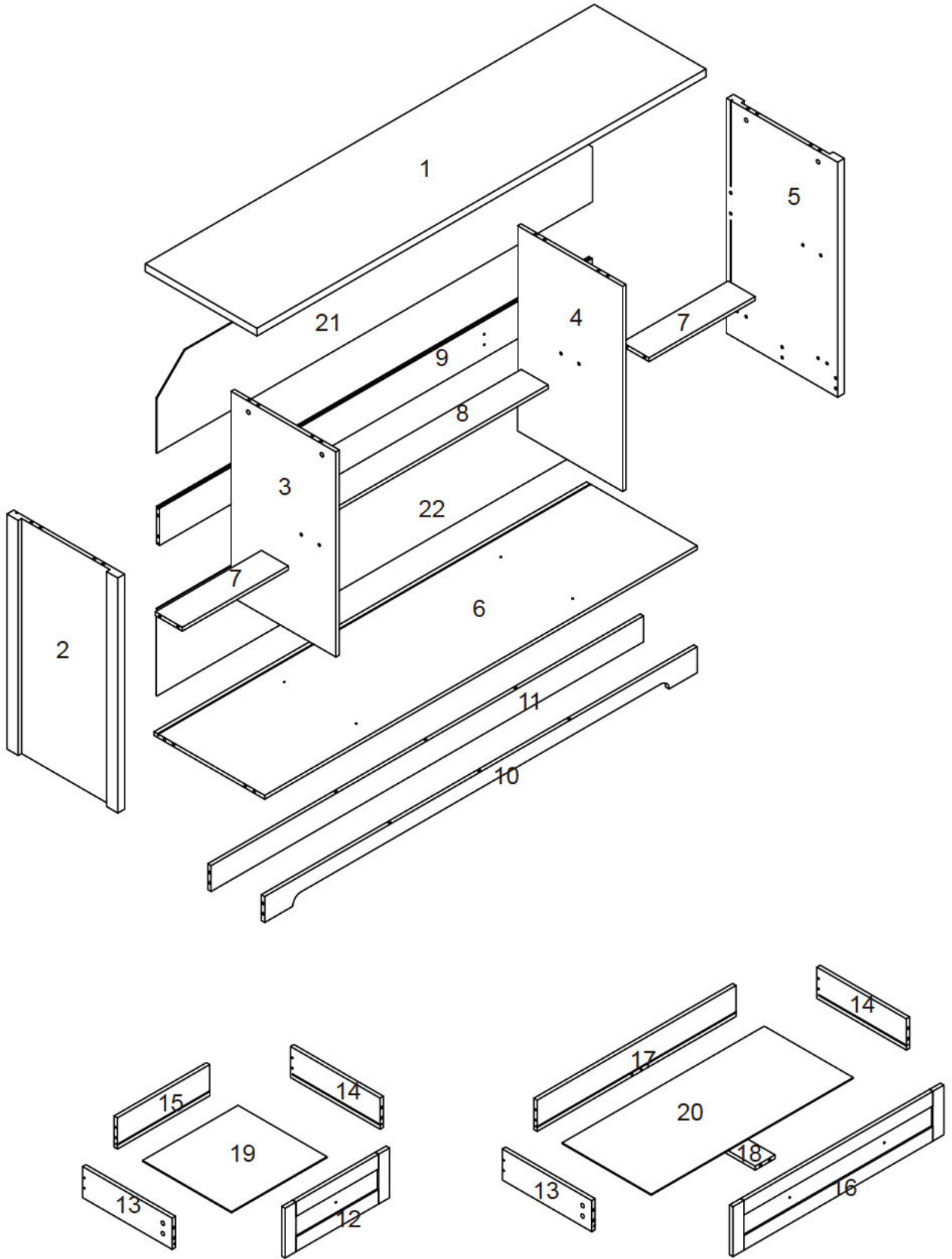


# INSTALLATION INSTRUCTION

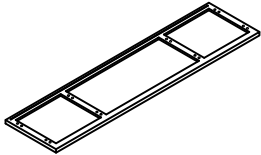
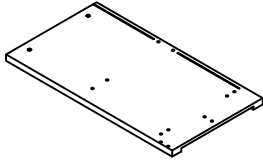
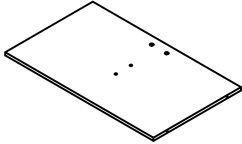
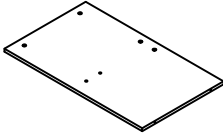
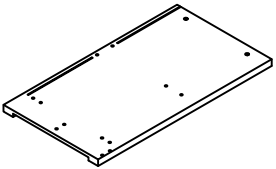
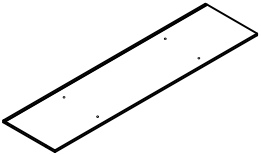
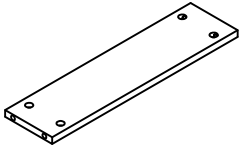
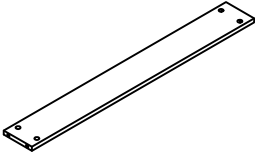
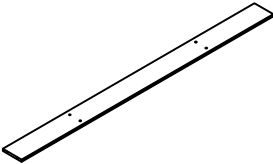
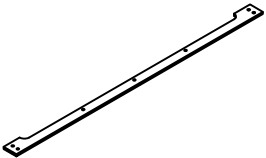
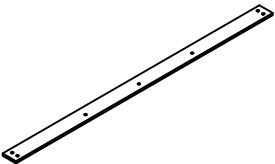
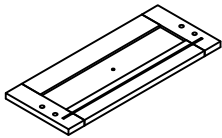
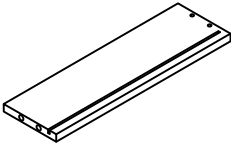
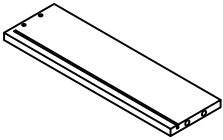
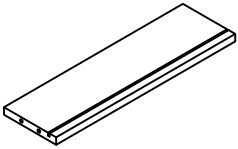
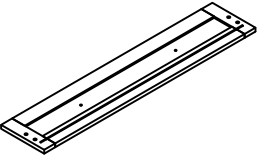
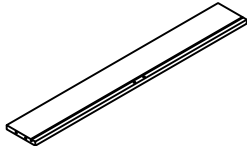
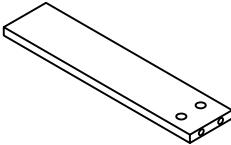
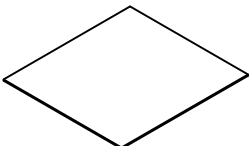
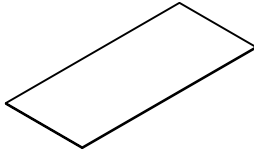
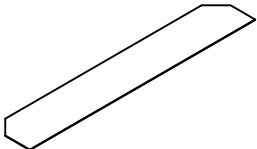
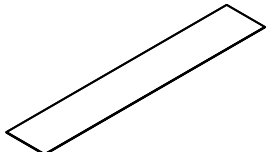


Thank you for purchasing our products. Please contact us if you have difficulty with assembly or need replacement parts. Our customer service is here to assist you.

# BOARD IDENTIFICATION



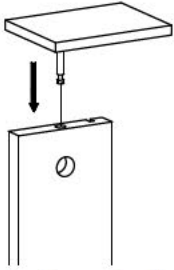
# BOARD IDENTIFICATION

				
1X1	2X1	3X1	4X1	5X1
				
6X1	7X2	8X1	9X1	10X1
				
11X1	12X8	13X12	14X12	15X8
				
16X4	17X4	18X4	19X8	20X4
				
21X1	22X1			

# BOARD IDENTIFICATION

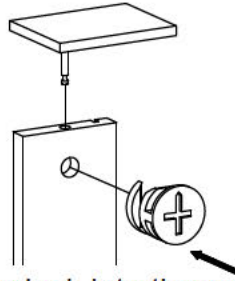
## Installation of Eccentric Wheel Nut Set

1



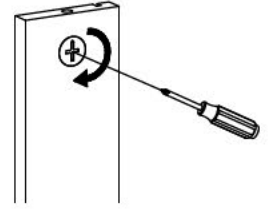
Screw the end of cambolt on the board, find the corresponding board and insert the other end.

2

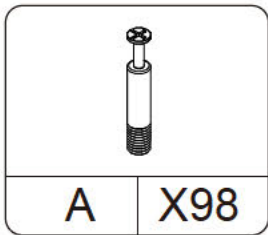


Stuff the camlock into the round hole. The arrow points to the cambolt.

3

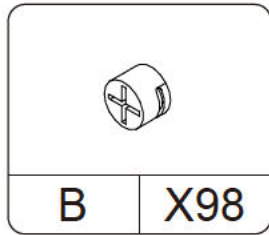


Turn clockwise about 180° to lock the plate.



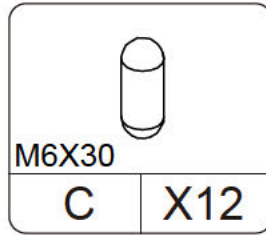
A X98

Cam bolt



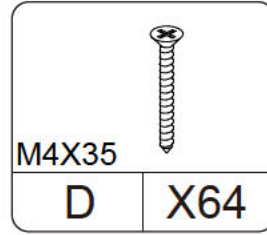
B X98

Cam lock



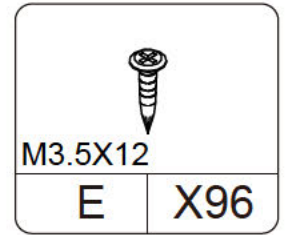
M6X30  
C X12

Wood dowel



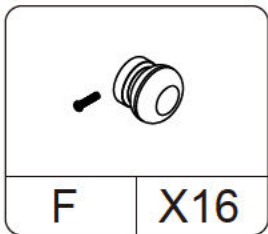
M4X35  
D X64

Screws

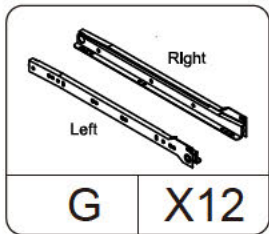


M3.5X12  
E X96

Screws

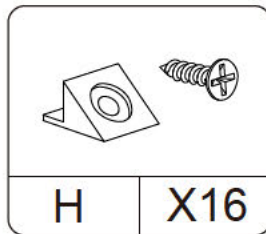


F X16



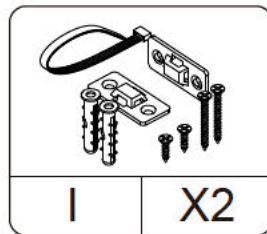
G X12

Cam lock



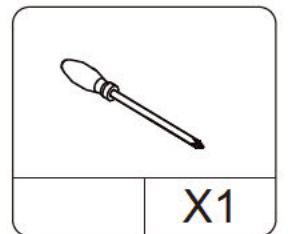
H X16

Wood dowel



I X2

Screws

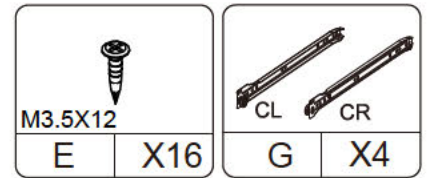
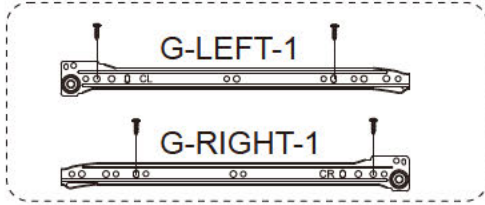


X1

Screwdriver

# INSTALLATION STEPS

## STEP1:

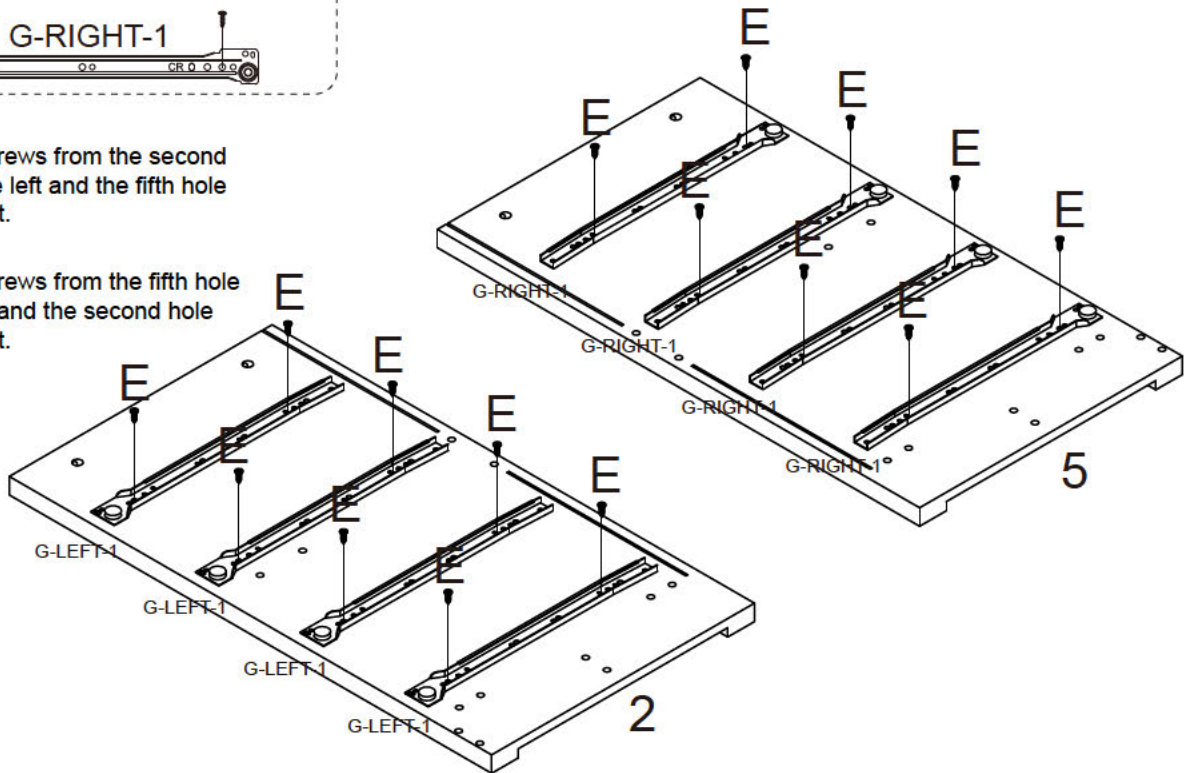


### G-LEFT-1:

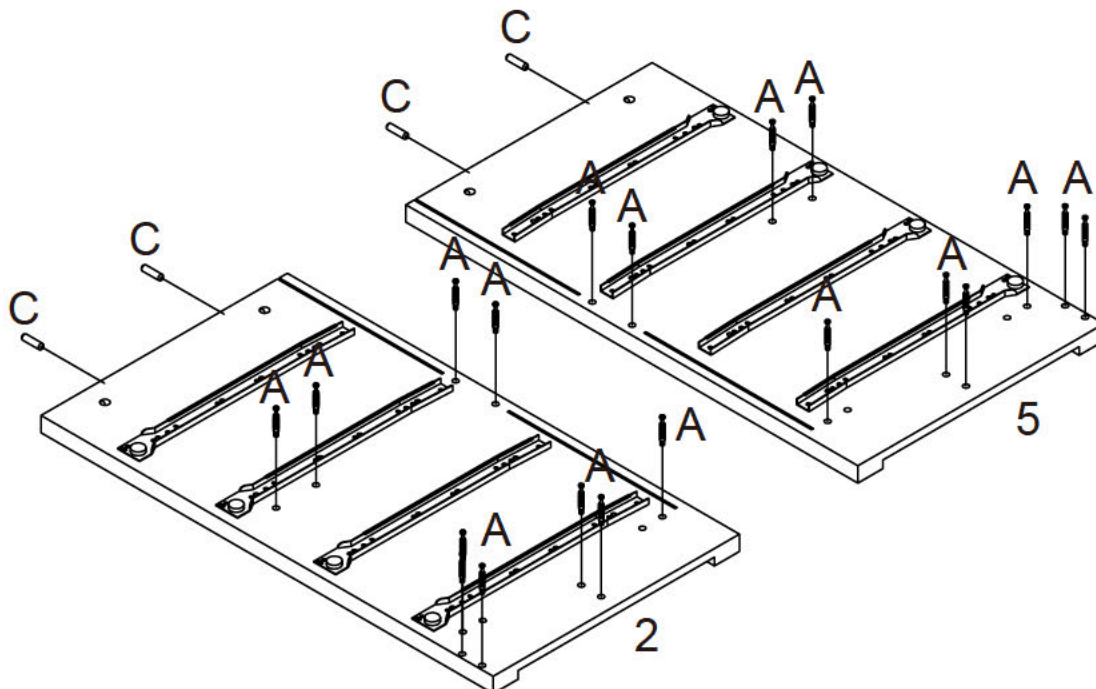
Install the screws from the second hole from the left and the fifth hole from the right.

### G-RIGHT-1:

Install the screws from the fifth hole from the left and the second hole from the right.

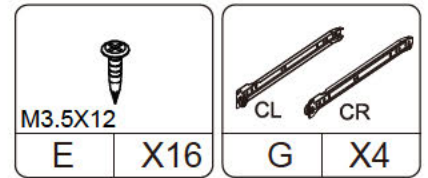


## STEP2:



# INSTALLATION STEPS

## STEP3:

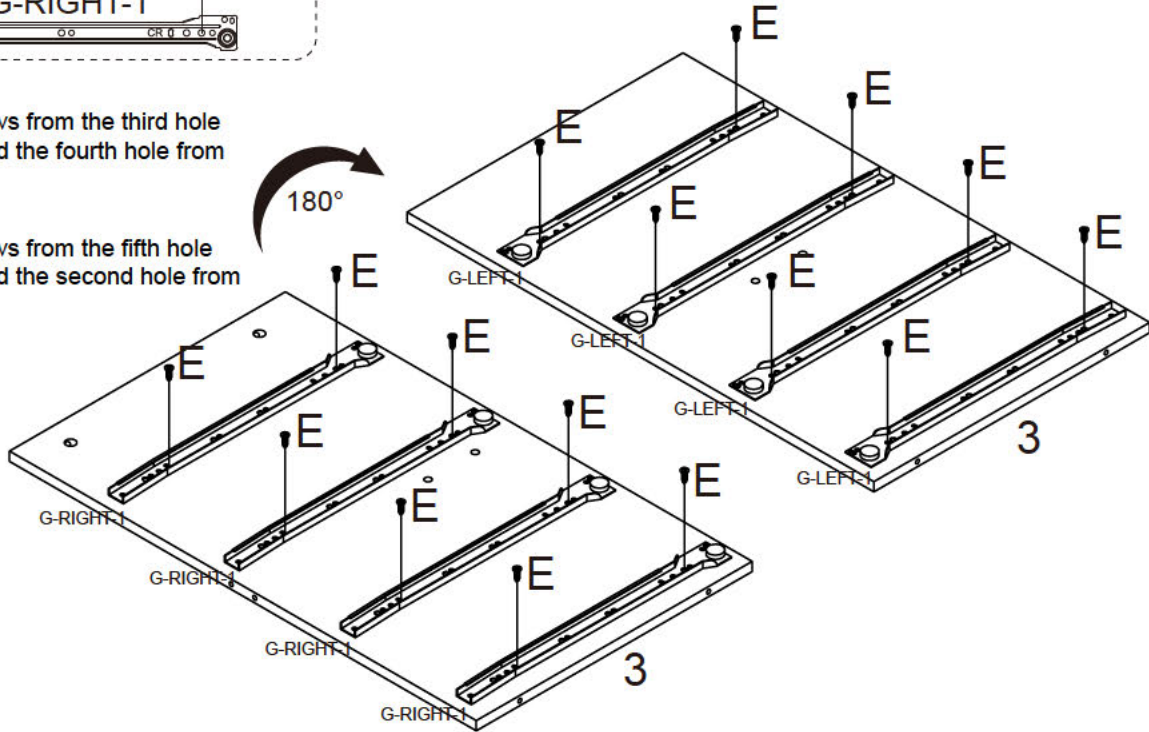


### G-LEFT-1:

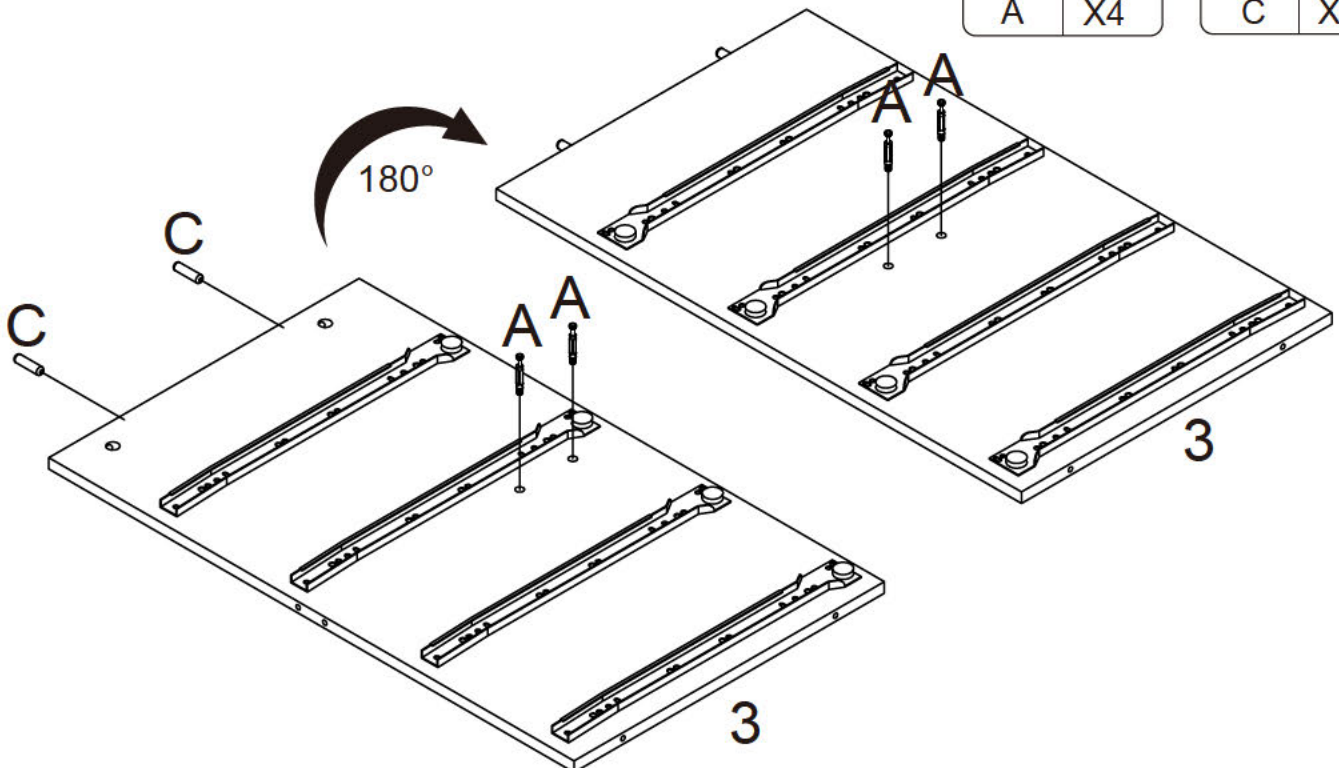
Install the screws from the third hole from the left and the fourth hole from the right.

### G-RIGHT-1:

Install the screws from the fifth hole from the left and the second hole from the right.

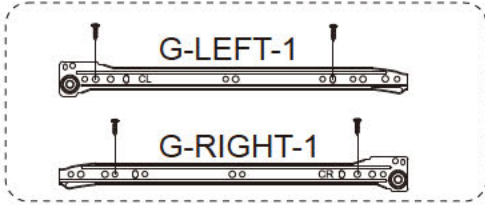


## STEP4:



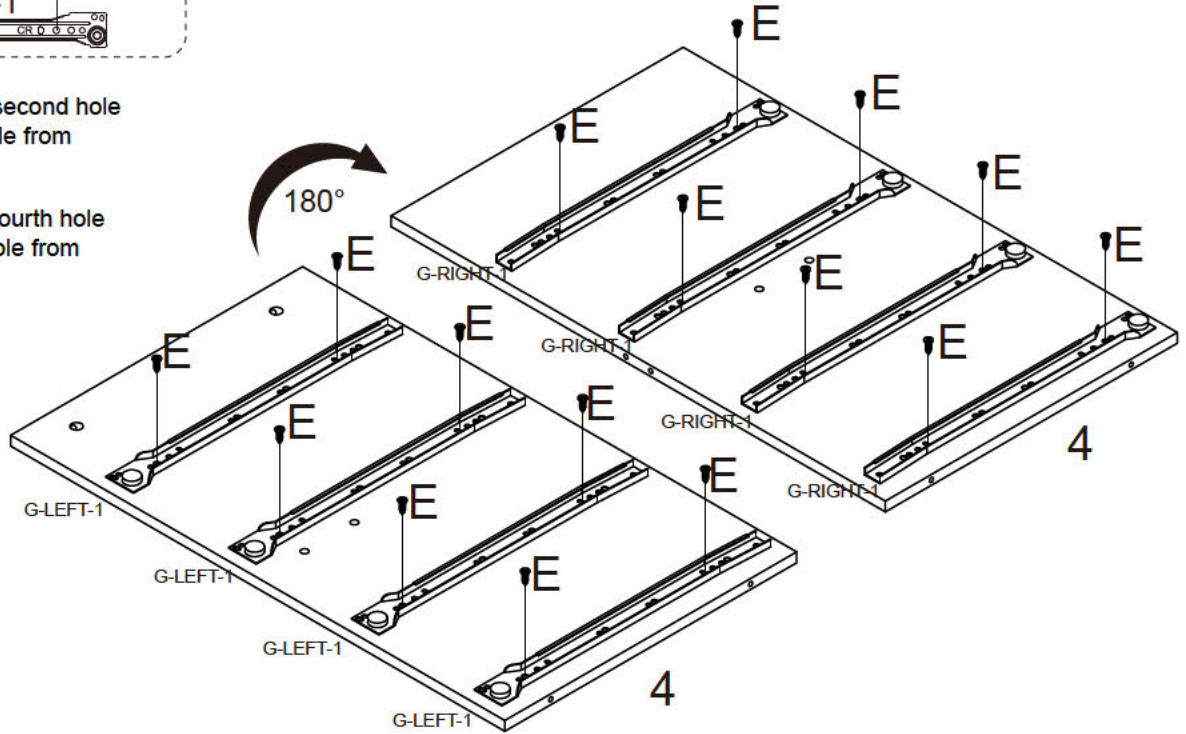
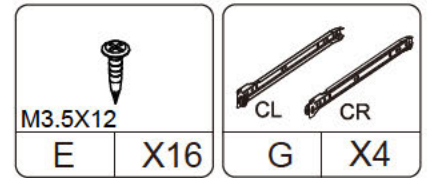
# INSTALLATION STEPS

## STEP5:

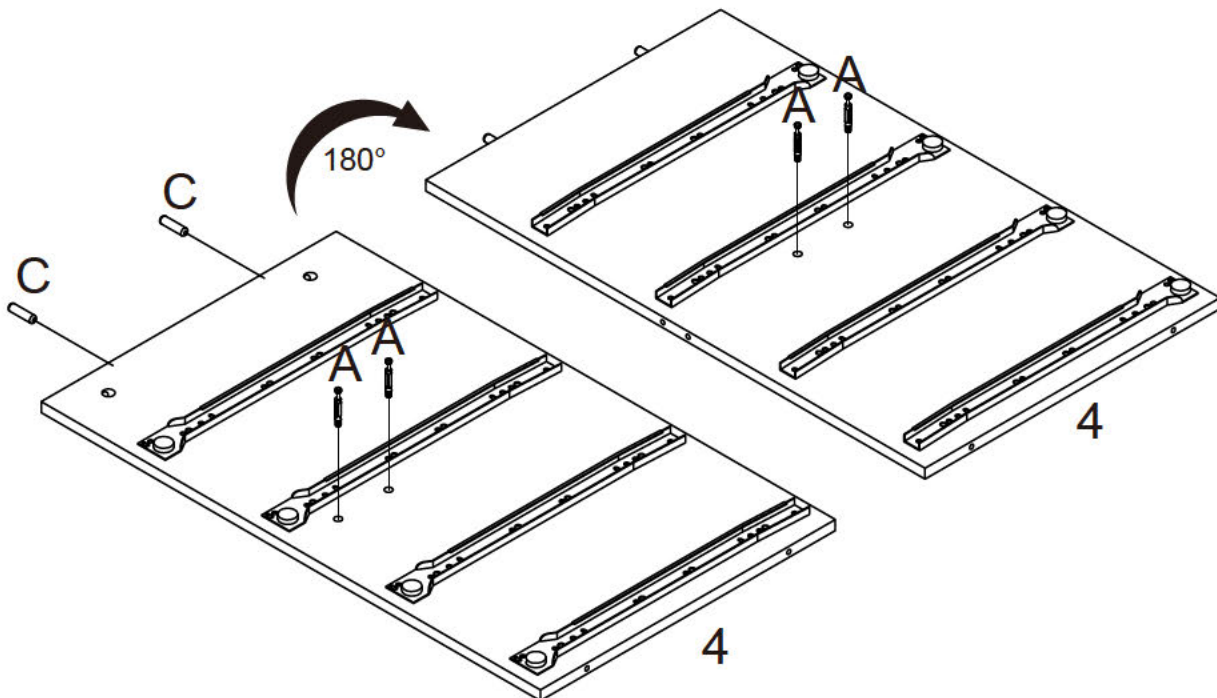


**G-LEFT-1:**  
Install the screws from the second hole from the left and the fifth hole from the right.

**G-RIGHT-1:**  
Install the screws from the fourth hole from the left and the third hole from the right.

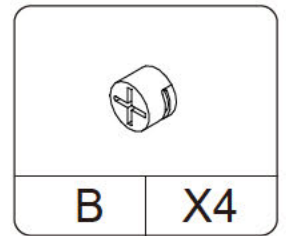
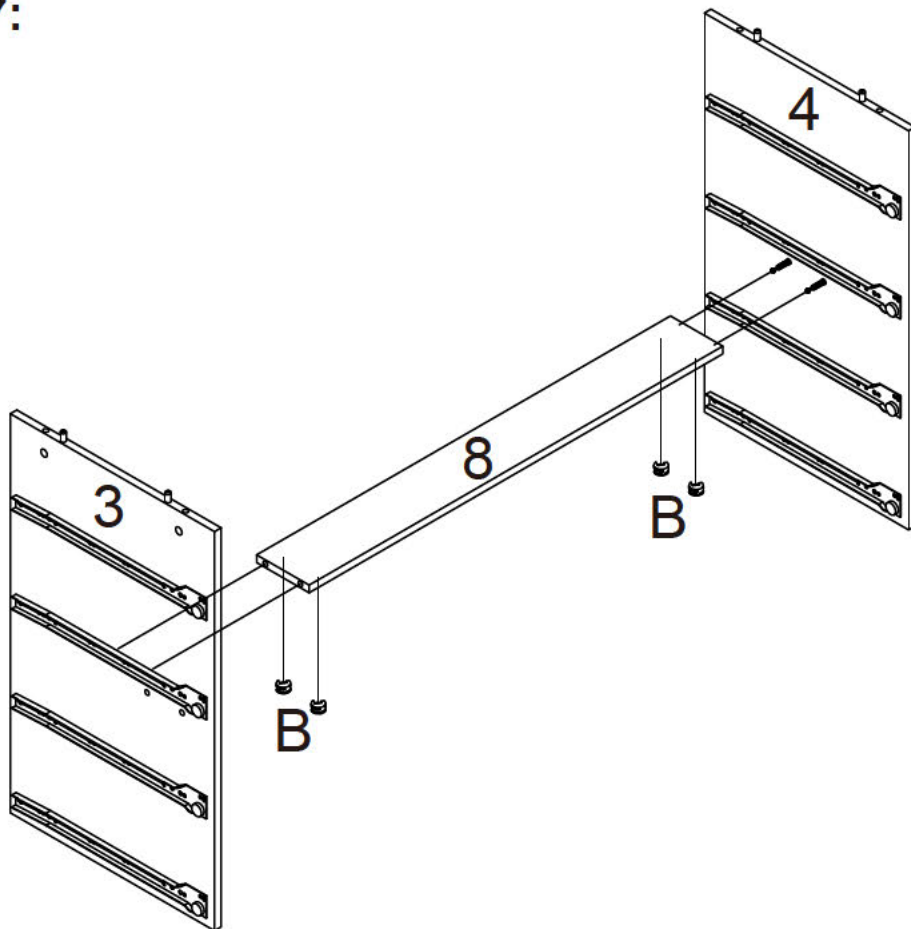


## STEP6:

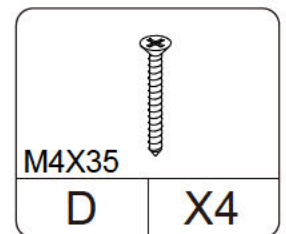
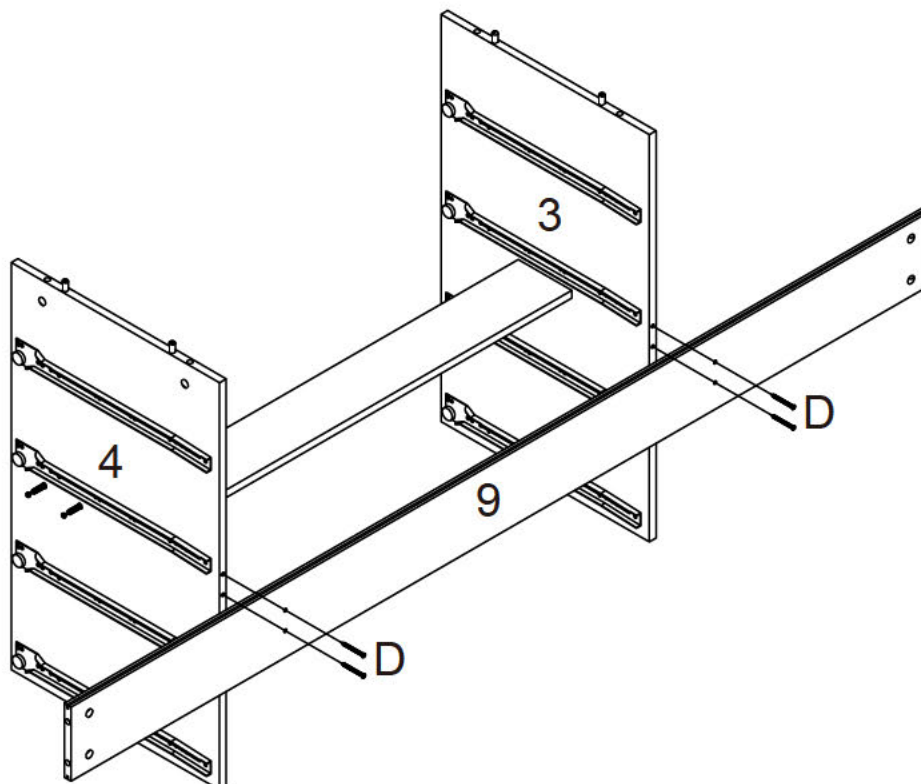


# INSTALLATION STEPS

## STEP7:

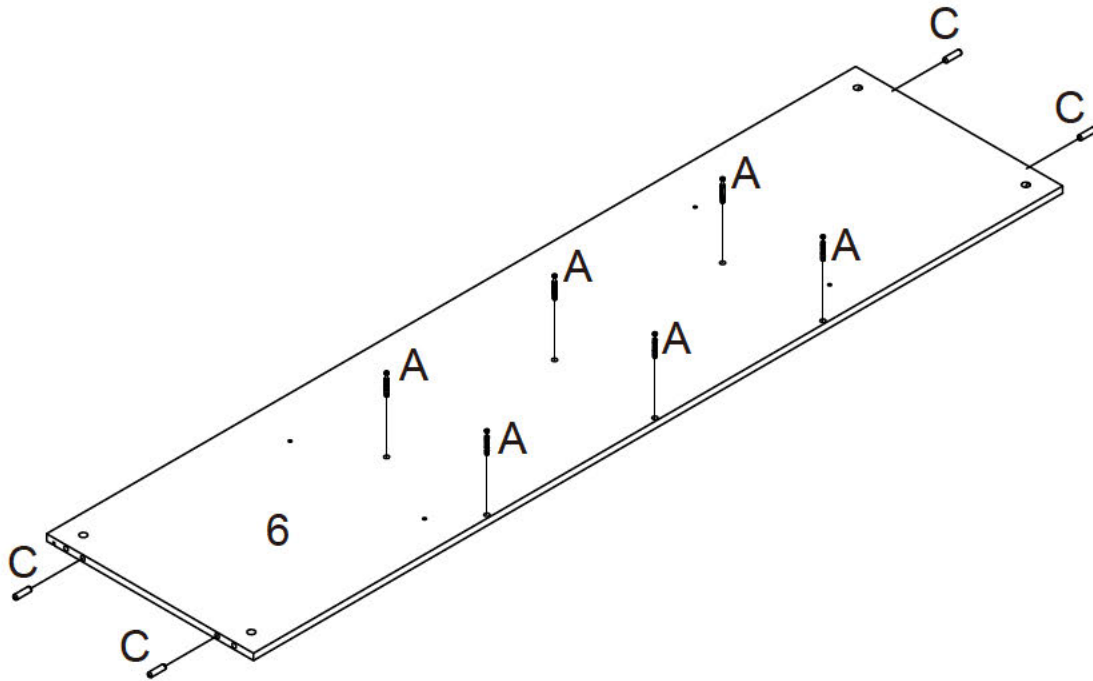
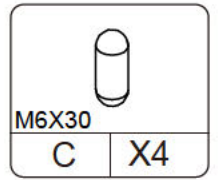
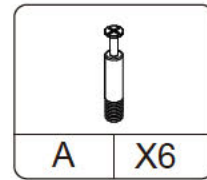


## STEP8:

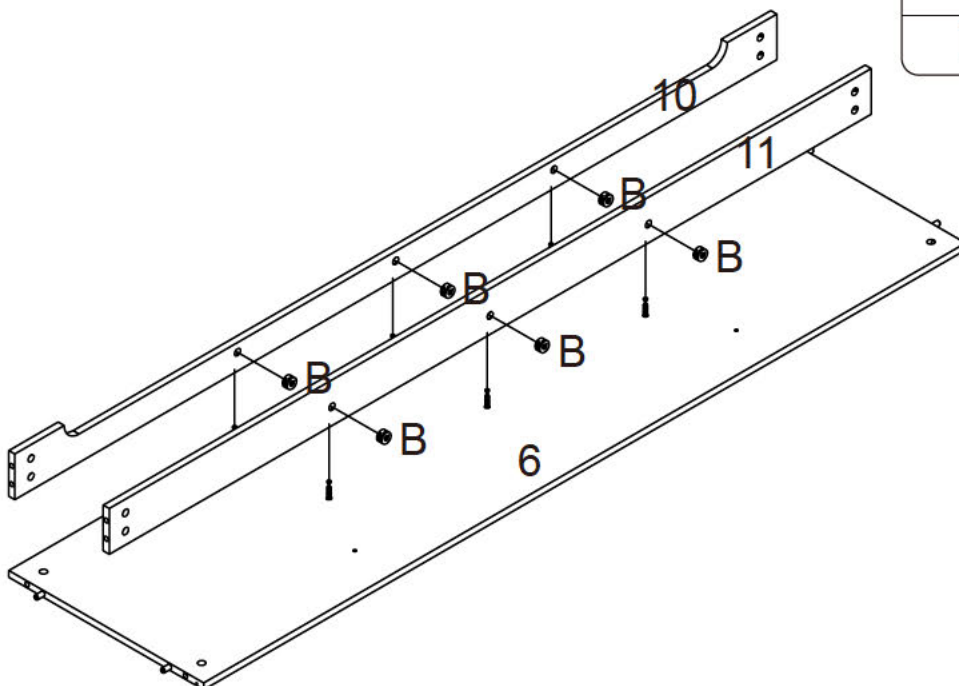
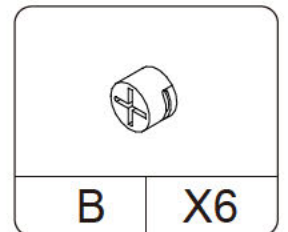


# INSTALLATION STEPS

## STEP9:

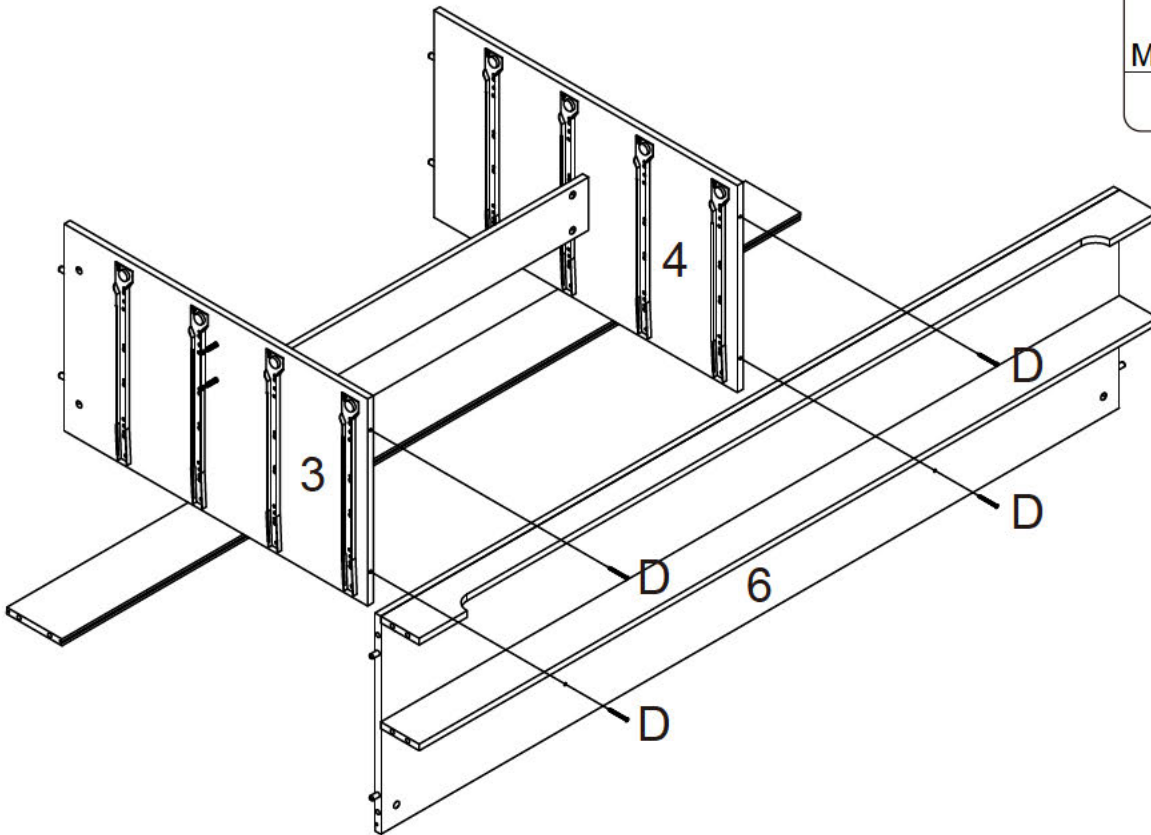
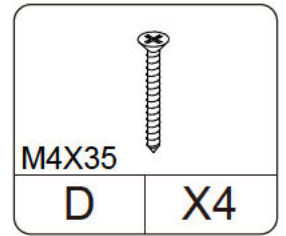


## STEP10:

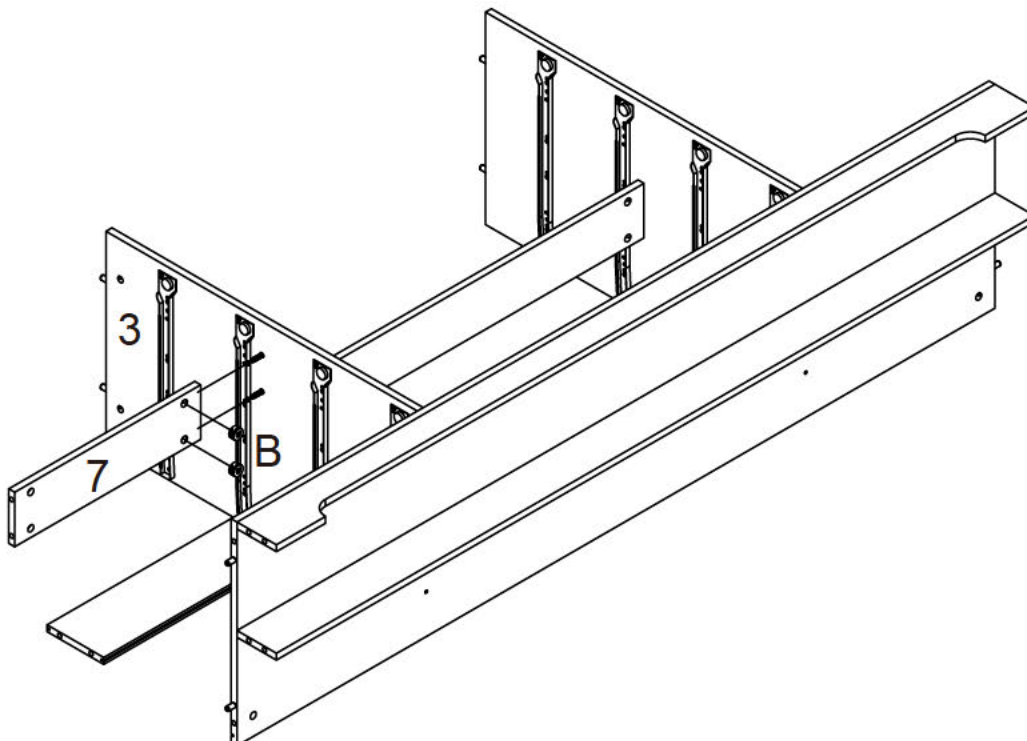
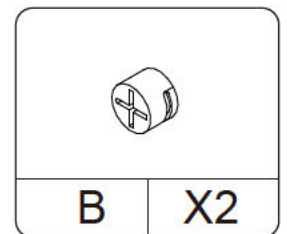


# INSTALLATION STEPS

## STEP11:

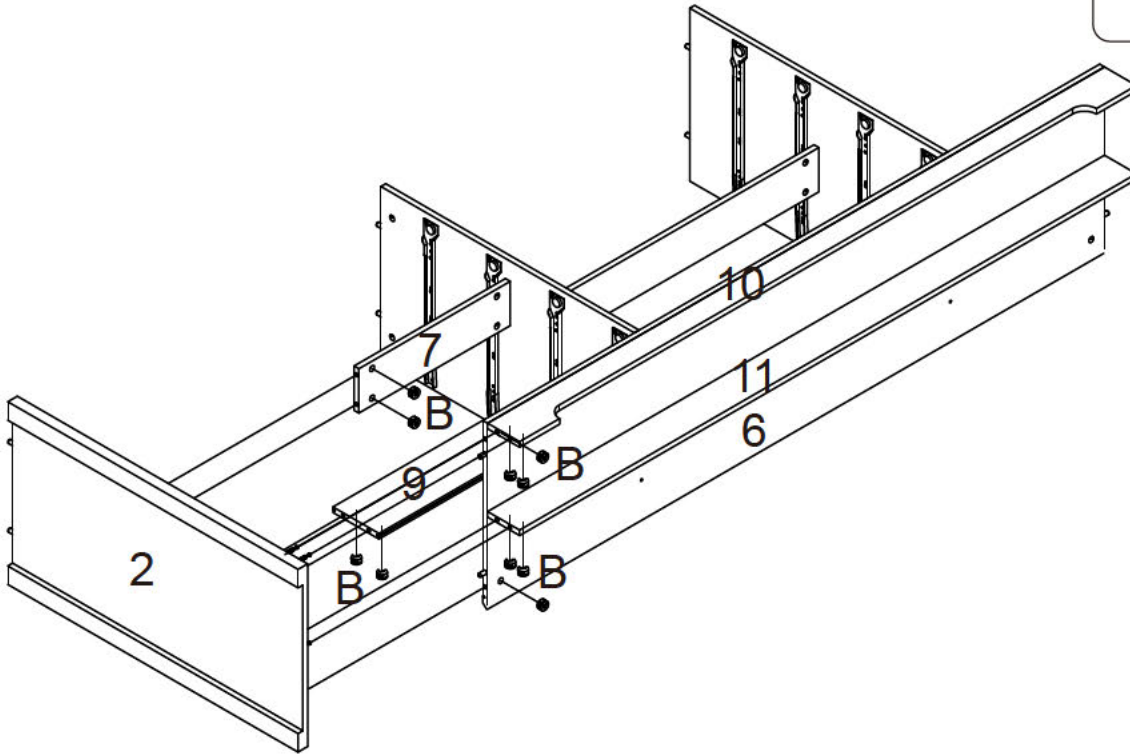
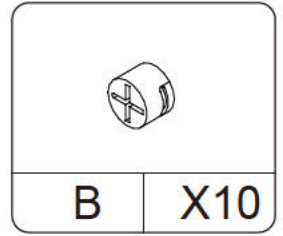


## STEP12:

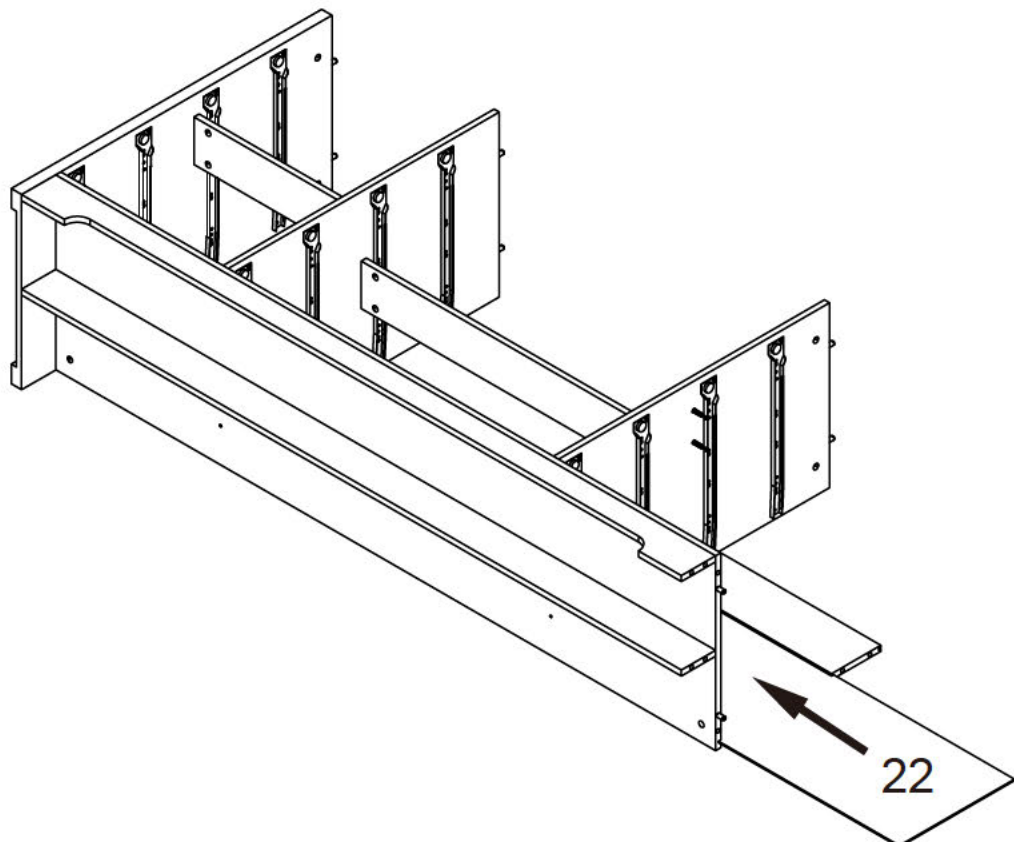


# INSTALLATION STEPS

## STEP13:

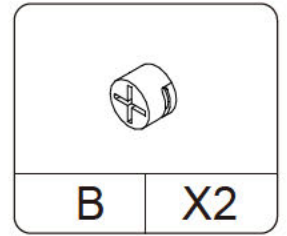
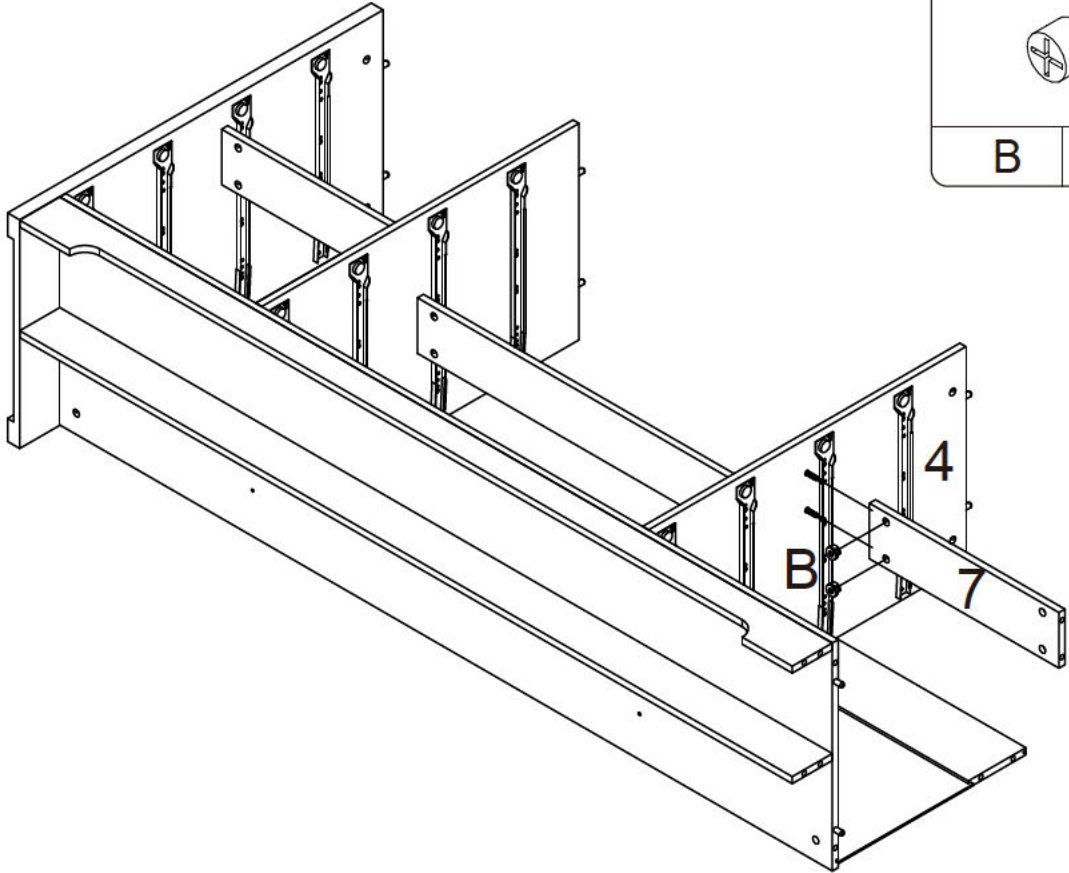


## STEP14:

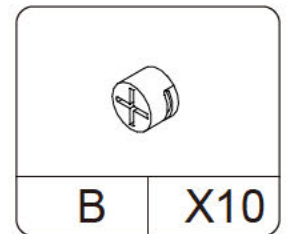
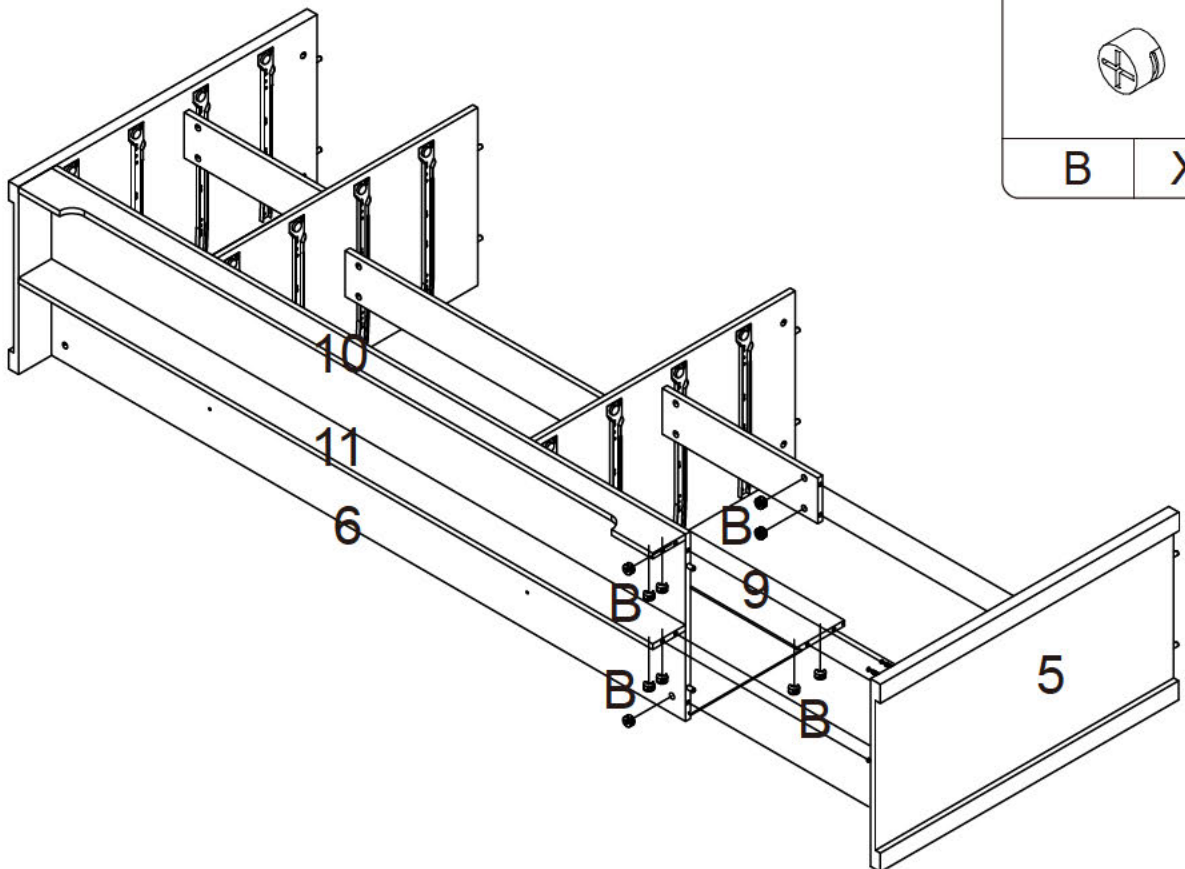


# INSTALLATION STEPS

## STEP15:

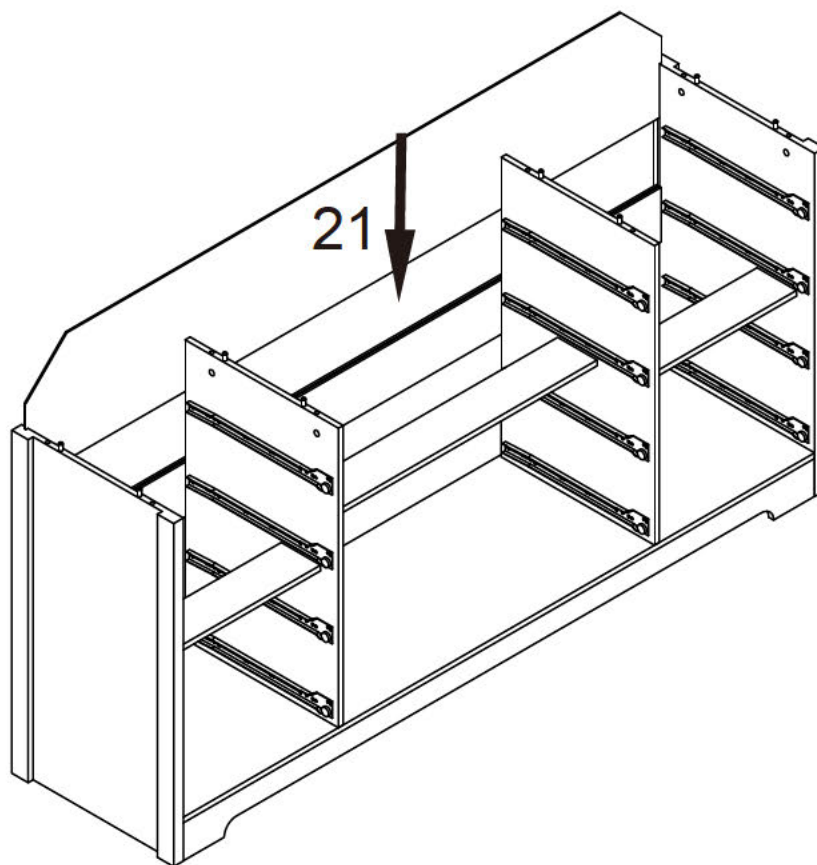


## STEP16:

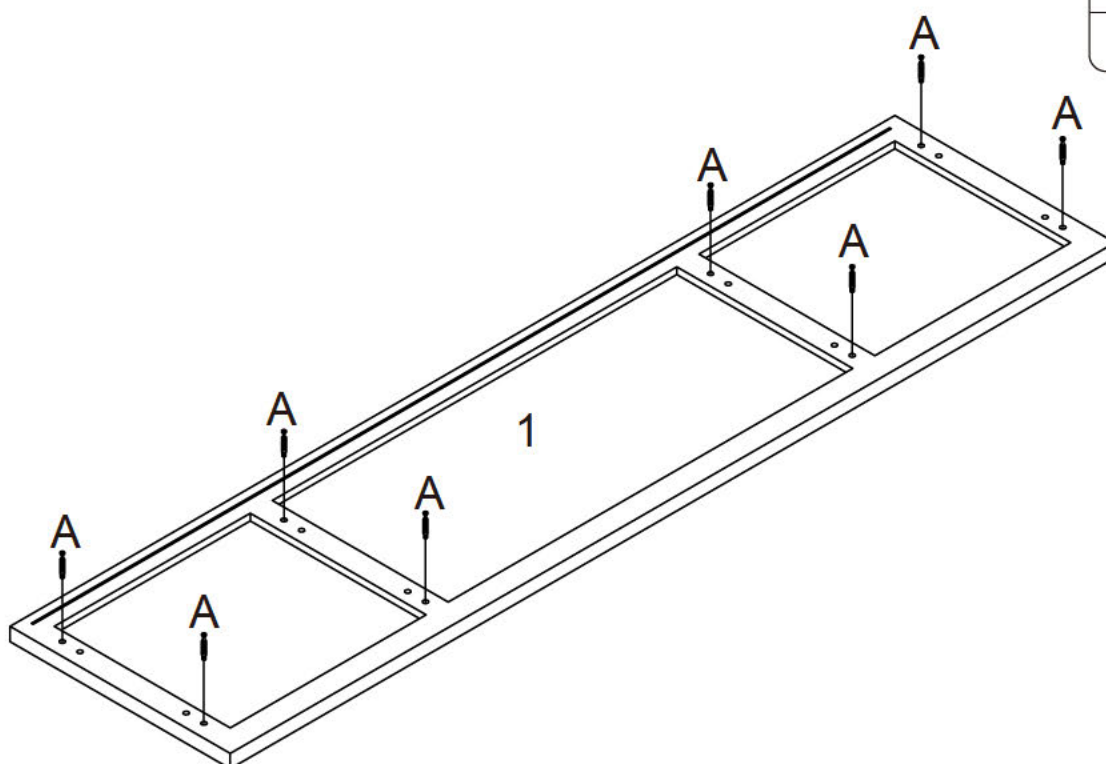
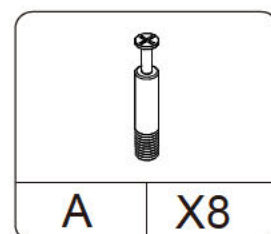


# INSTALLATION STEPS

## STEP17:

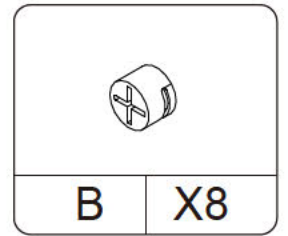
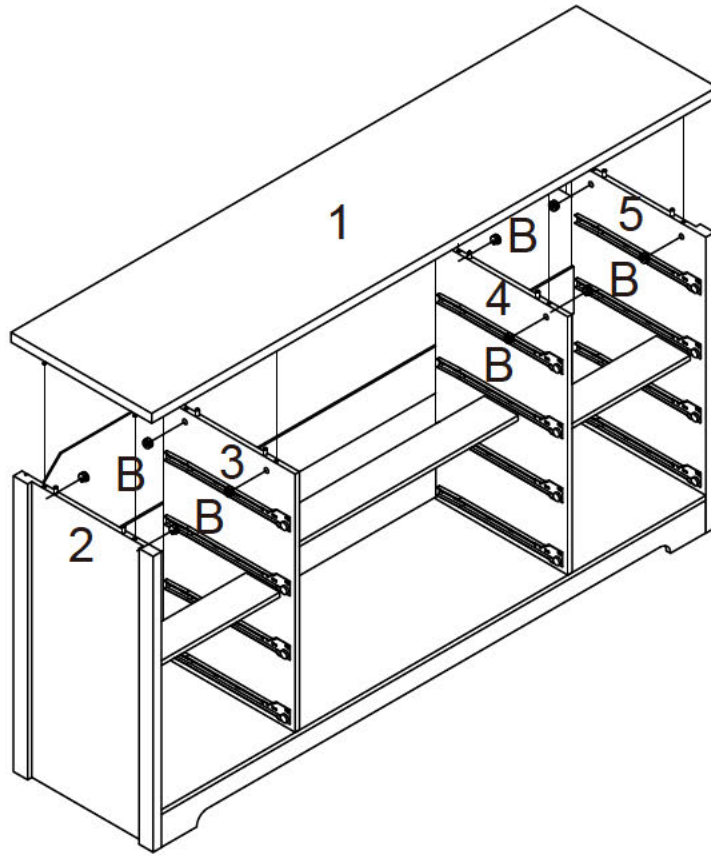


## STEP18:

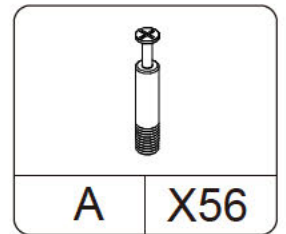
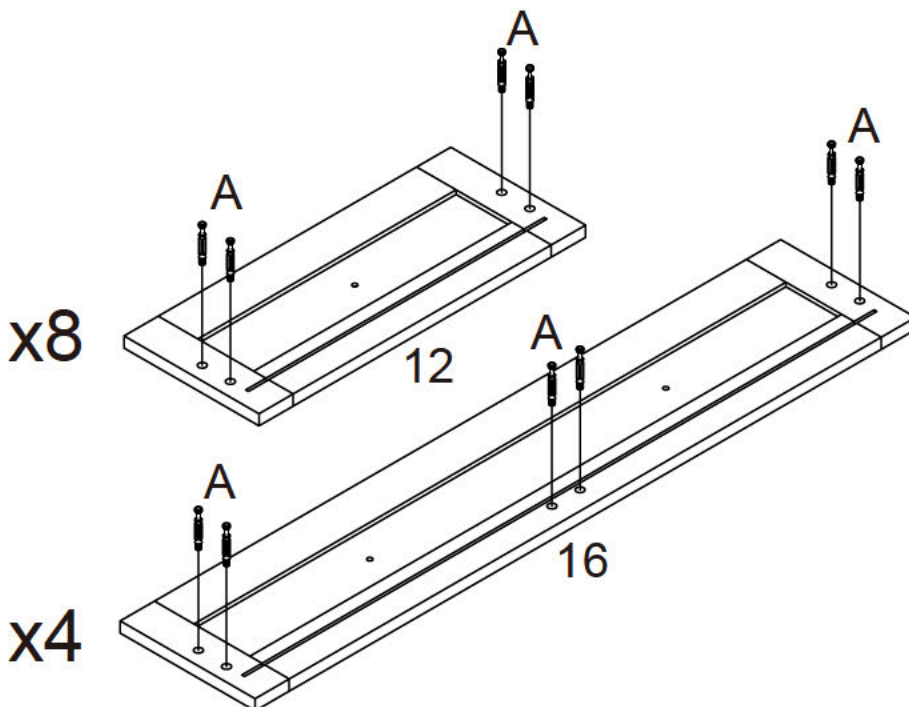


# INSTALLATION STEPS

## STEP19:

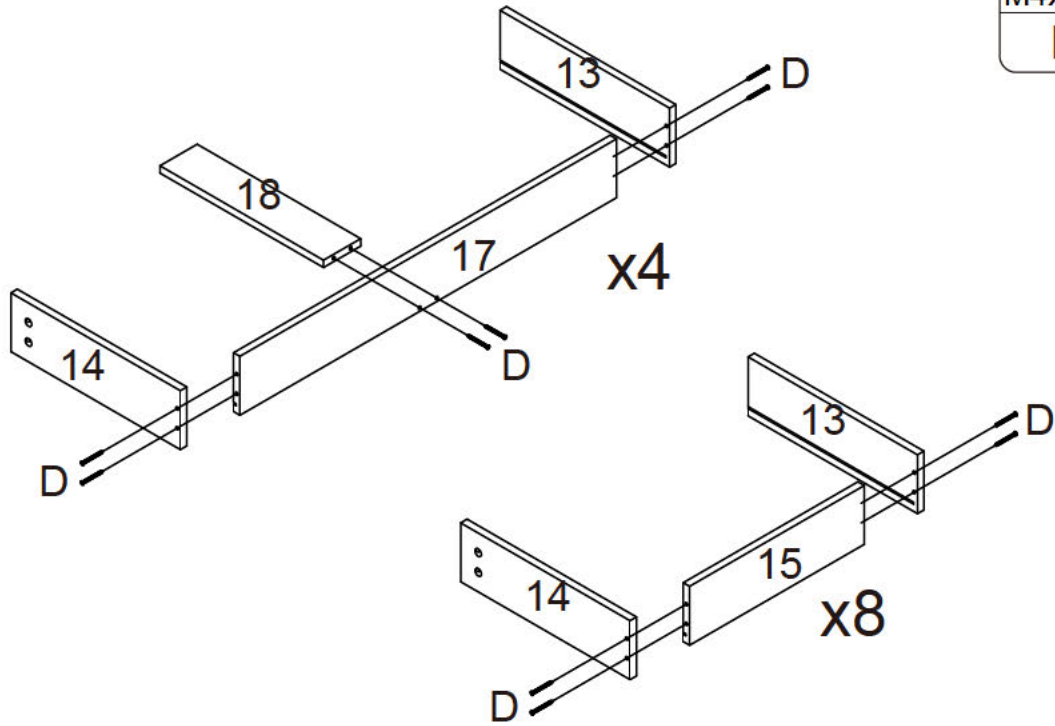


## STEP20:

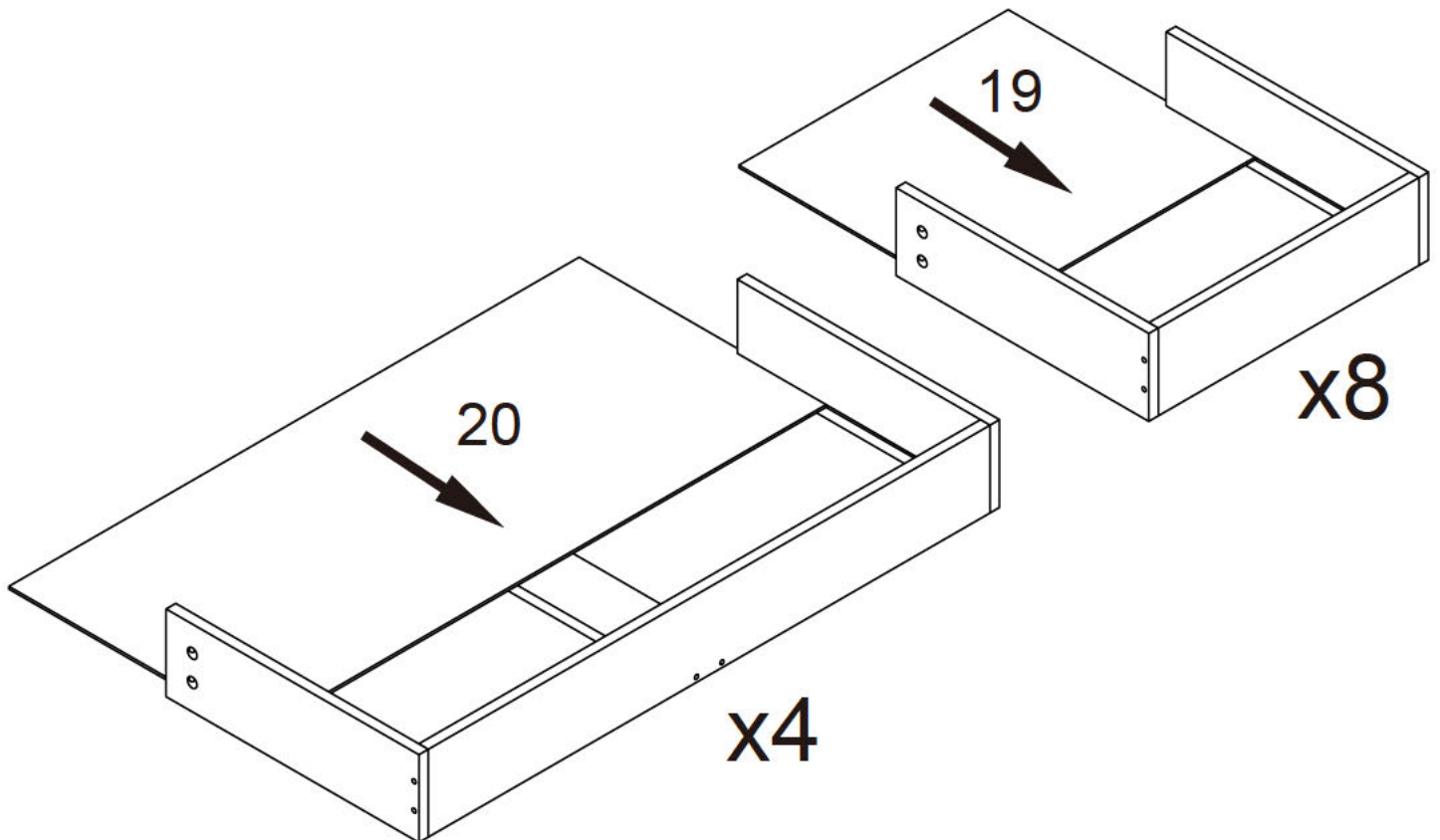


# INSTALLATION STEPS

## STEP21:

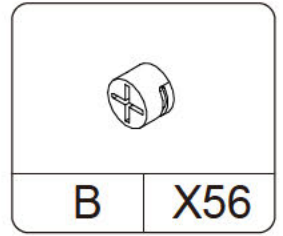
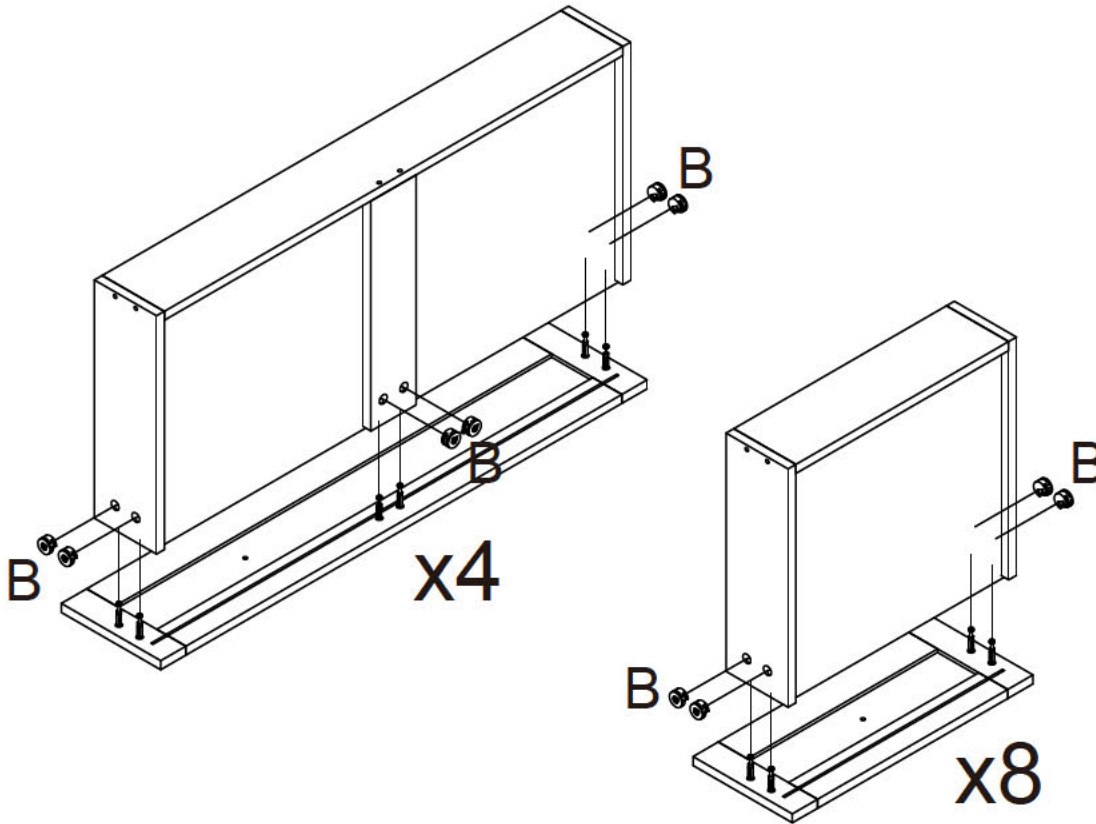


## STEP22:

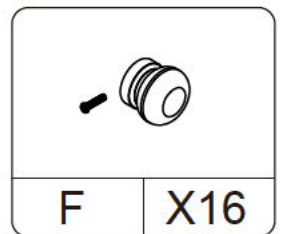
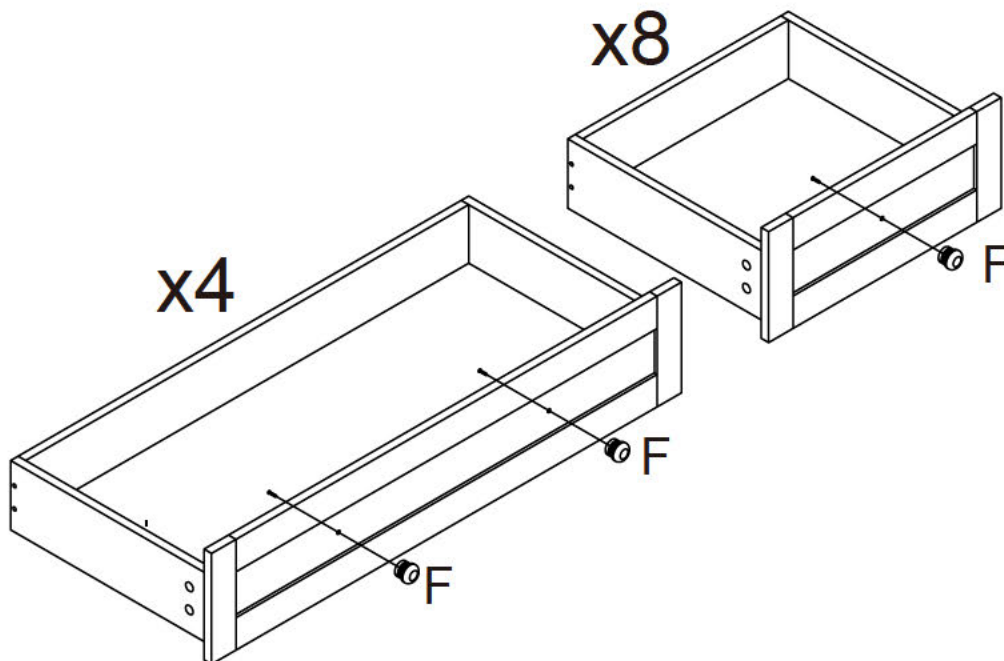


# INSTALLATION STEPS

## STEP23:

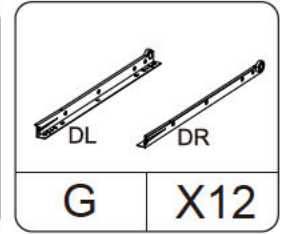
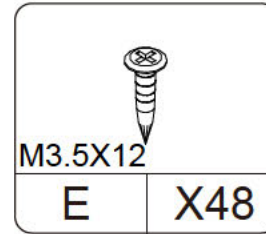
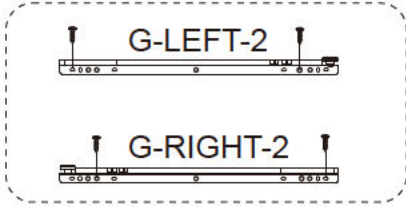


## STEP24:



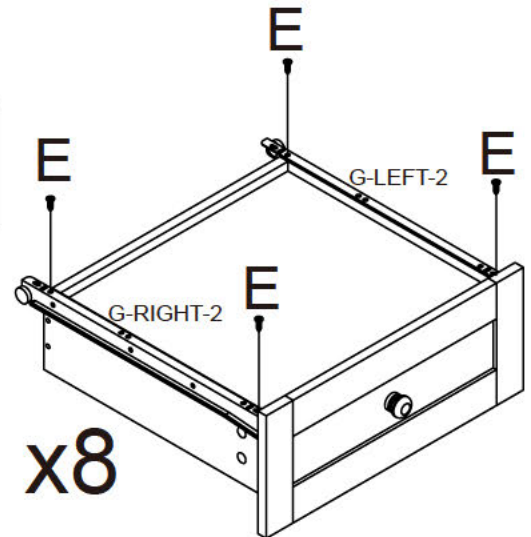
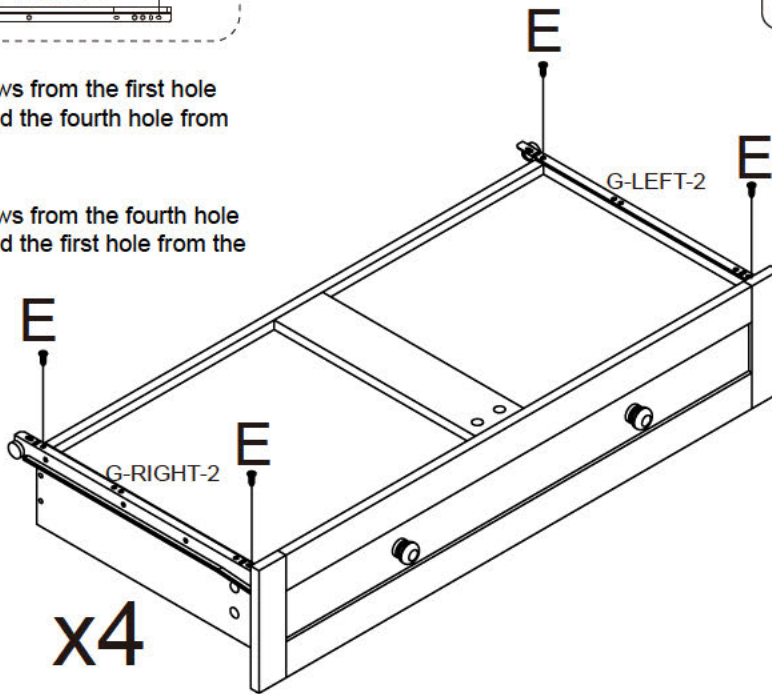
# INSTALLATION STEPS

## STEP25:

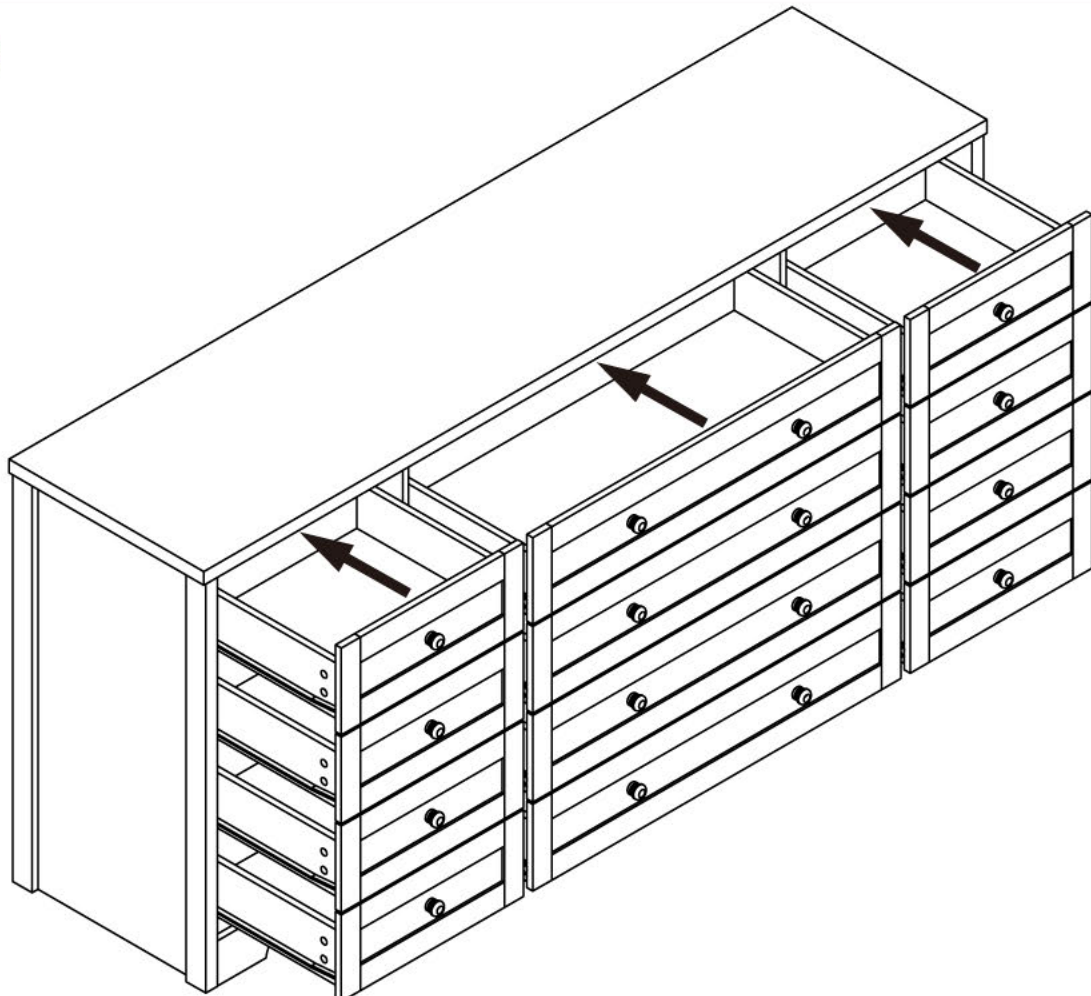


**G-LEFT-2:**  
Install the screws from the first hole from the left and the fourth hole from the right.

**G-RIGHT-2:**  
Install the screws from the fourth hole from the left and the first hole from the right.

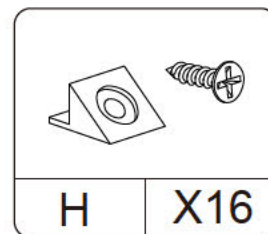
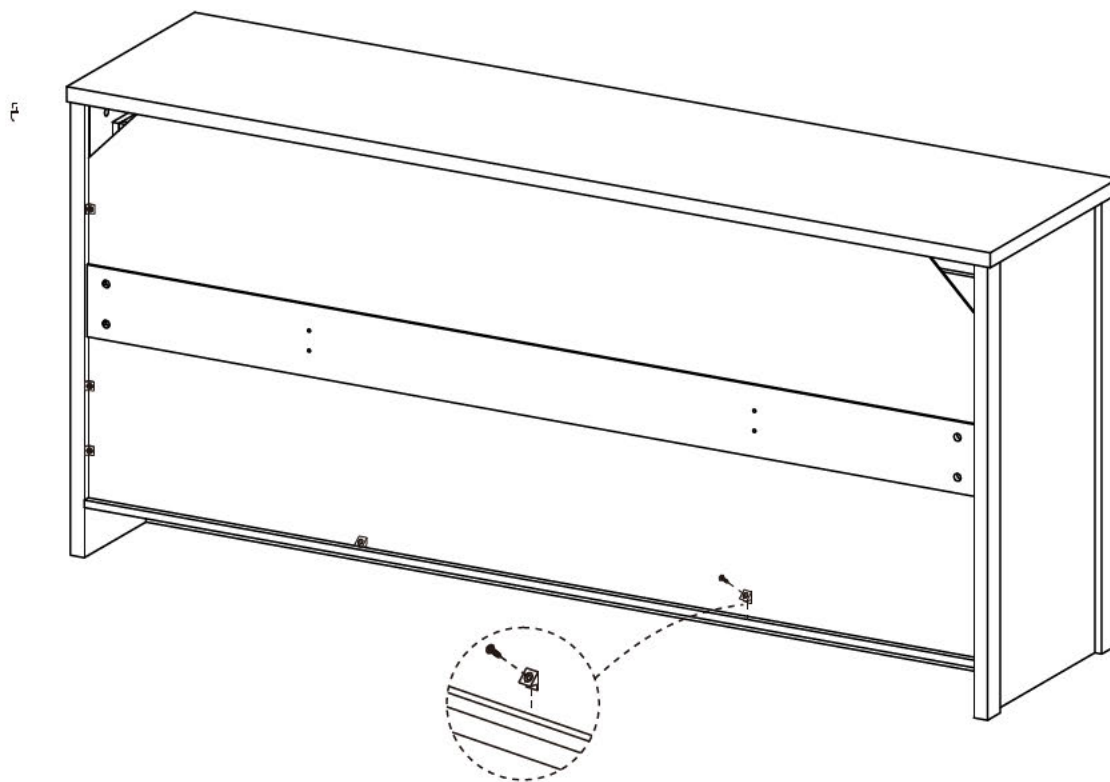


## STEP26:



# INSTALLATION STEPS

## STEP27:



## STEP28:

