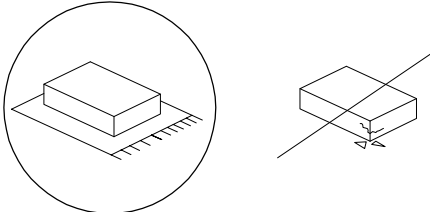


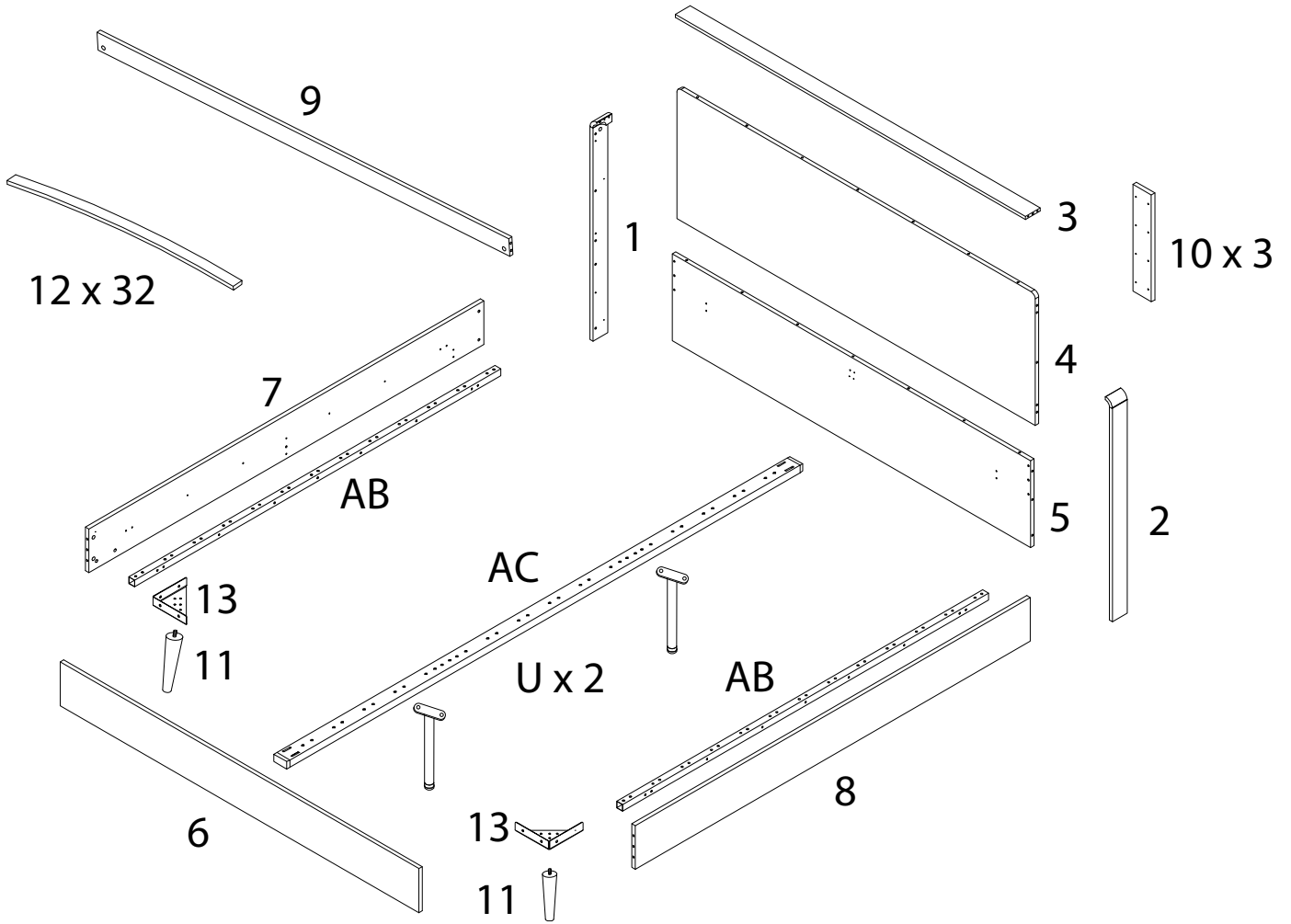
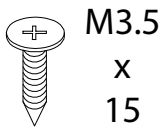

		<p>60'</p>
		
		<p>2</p>

1	2	3	4	5	6
x 1	x 1	x 1	x 1	x 1	x 1



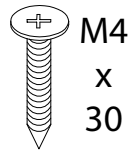
7	8	9	10	11	12	13
x 1	x 1	x 1	x 3	x 2	x 32	x 2

A



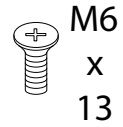
x 20

B



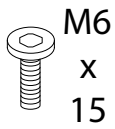
x 24

C



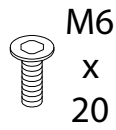
x 16

D



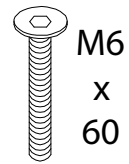
x 8

E



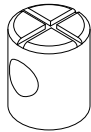
x 8

F



x 4

G



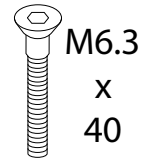
x 4

H



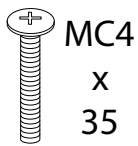
x 4

J



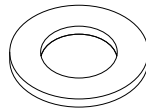
x 18

K



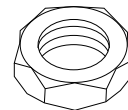
x 4

L



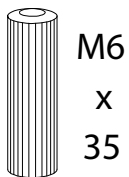
x 4

M



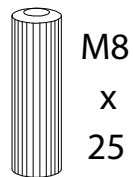
x 4

N



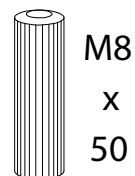
x 4

P



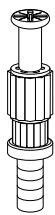
x 20

Q



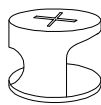
x 6

R



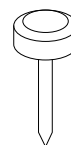
x 17

S



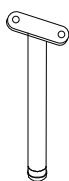
x 17

T



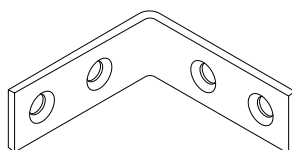
x 3

U



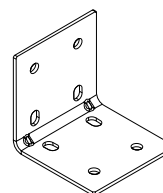
x 2

V



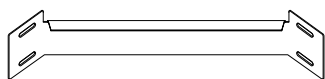
x 10

W



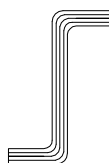
x 2

X



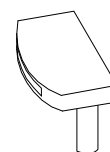
x 2

Y



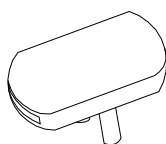
x 1

Z



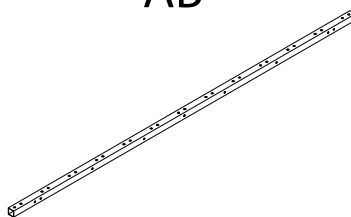
x 32

AA



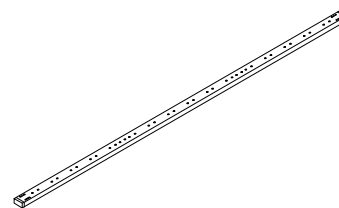
x 16

AB



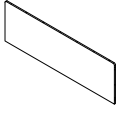


x 2

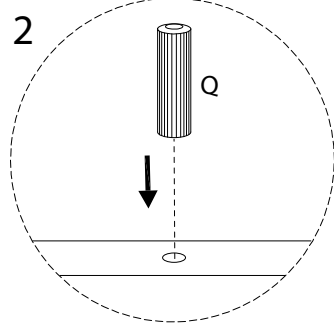
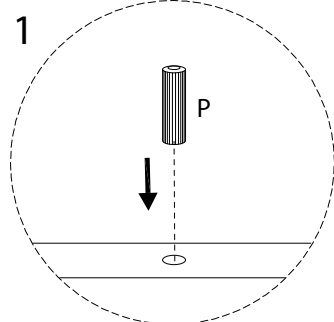
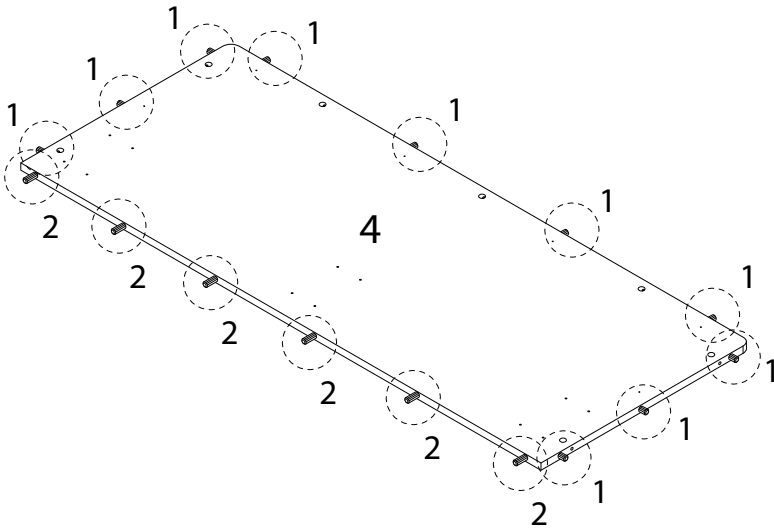
AC



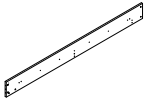
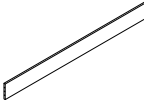


x 1

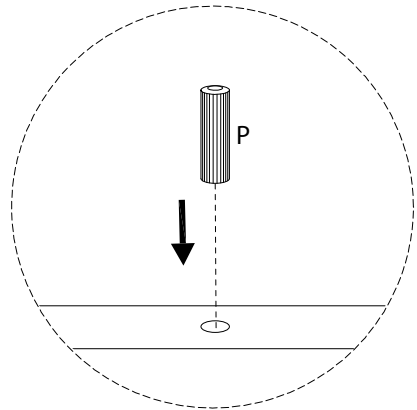
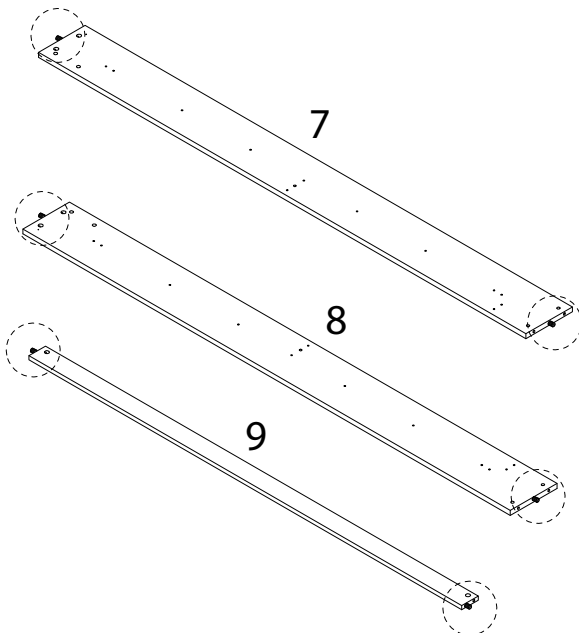
1

 4 x1	 P M8 x 25 x10	 Q M8 x 50 x6
--	--	---



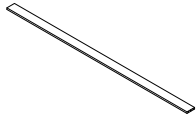
2

 7 x1	 8 x1	 9 x1	 P M8 x 25 x6
--	--	---	---



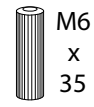
3

3



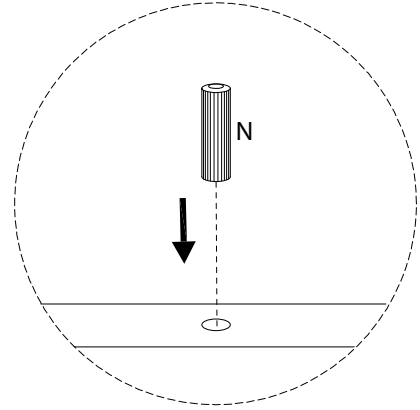
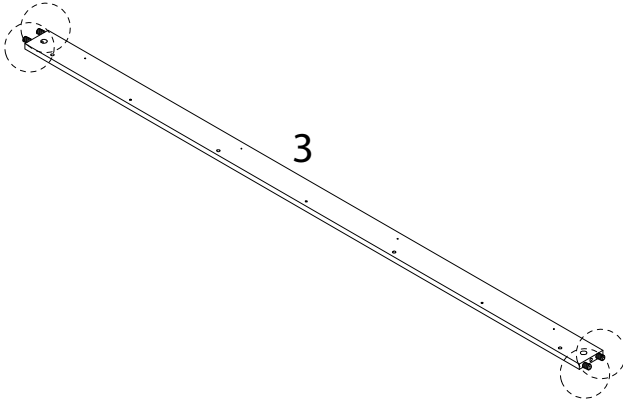
x 1

N



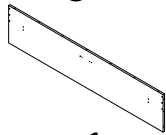
M6
x
35

x 4



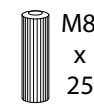
4

5



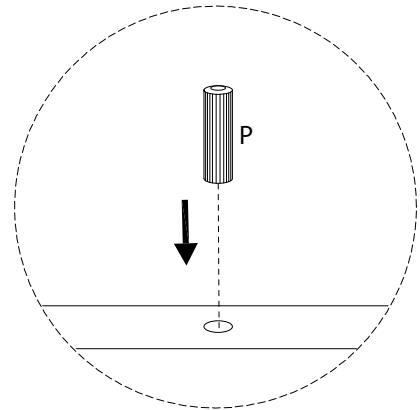
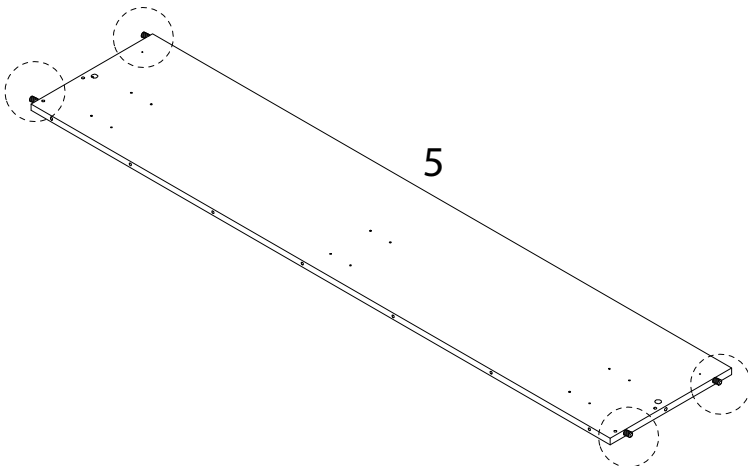
x 1

P

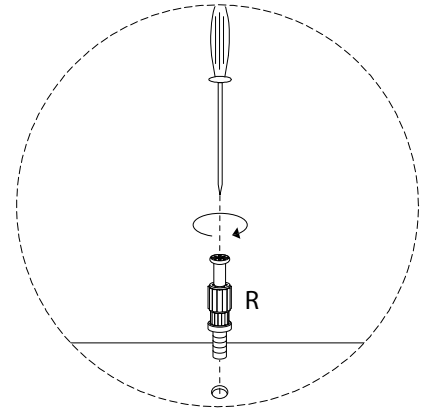
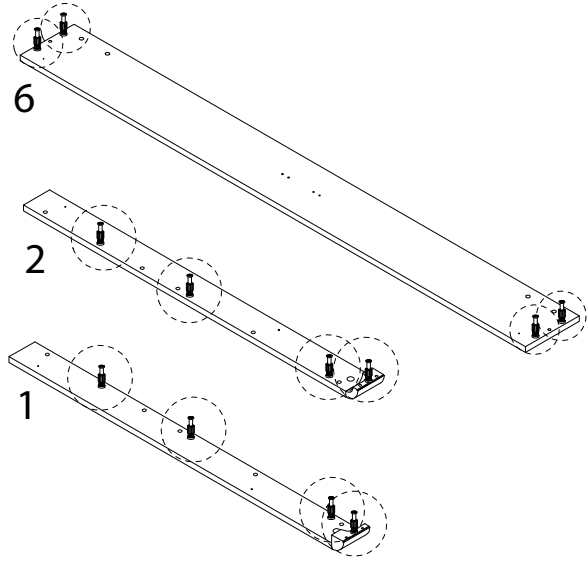
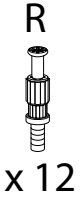
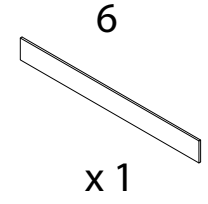
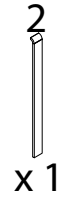


M8
x
25

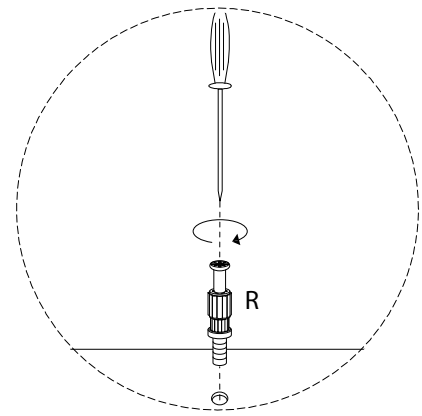
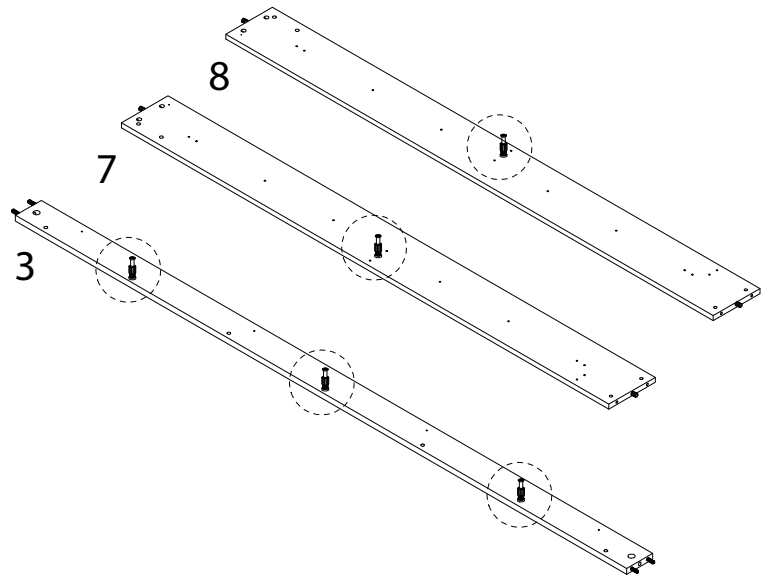
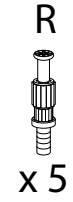
x 4



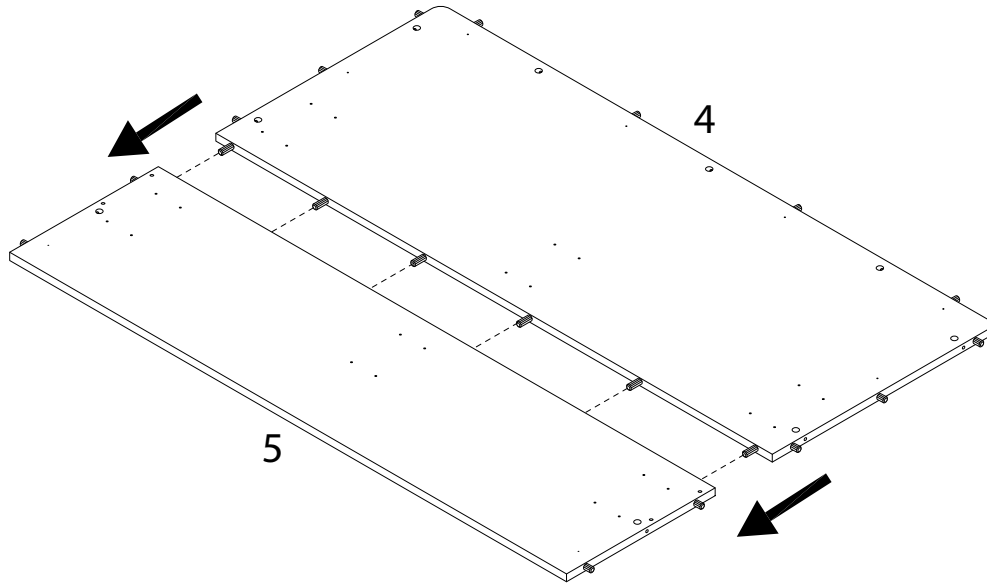
5



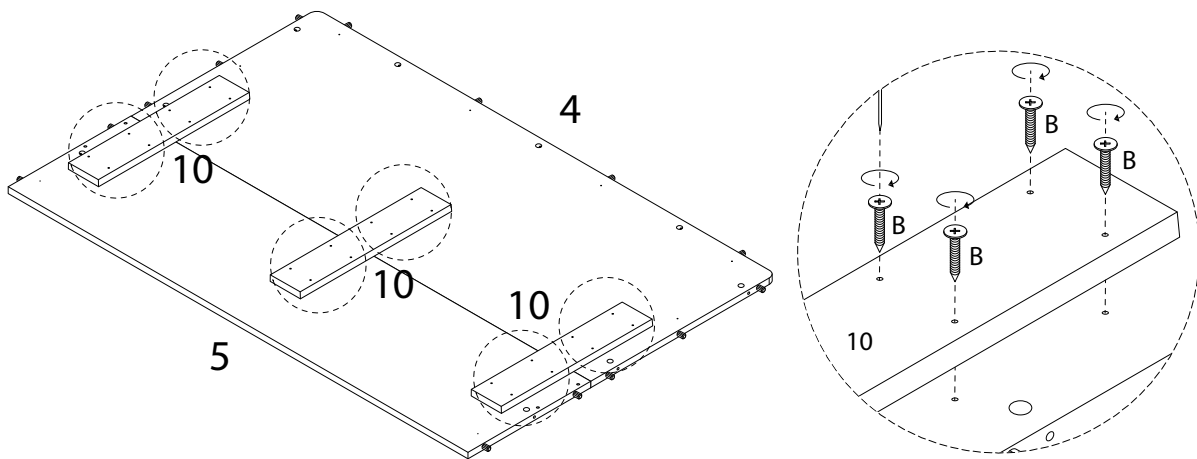
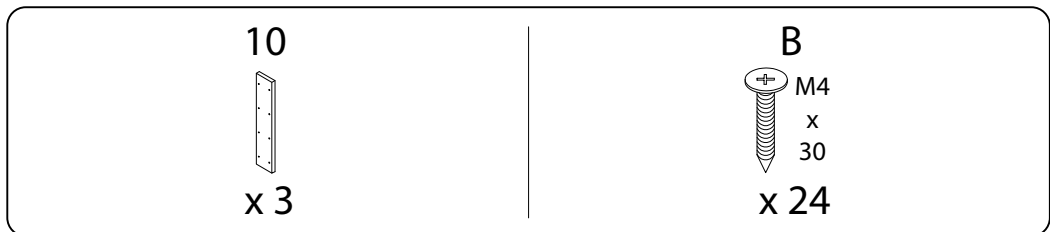
6



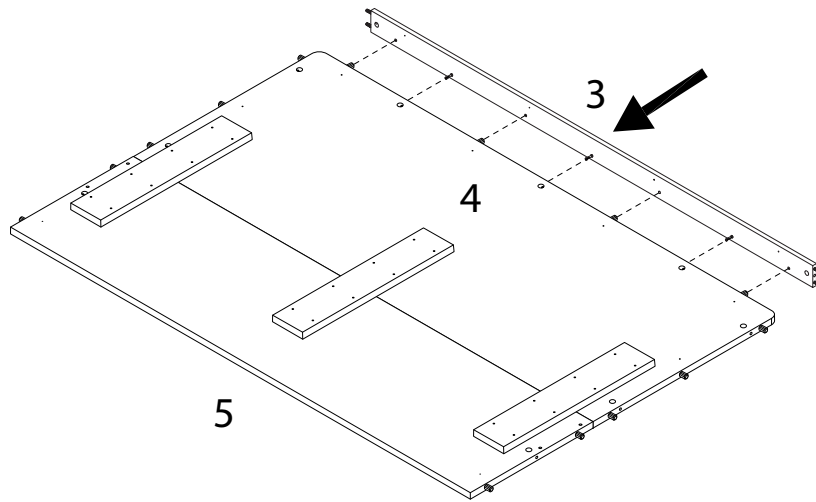
7



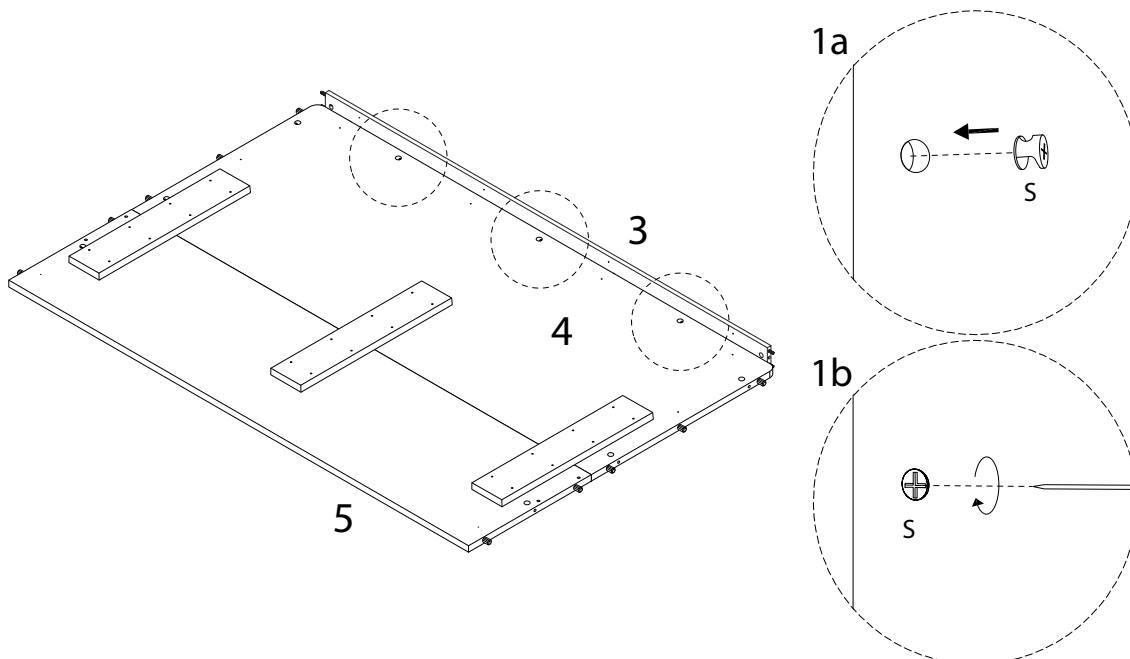
8



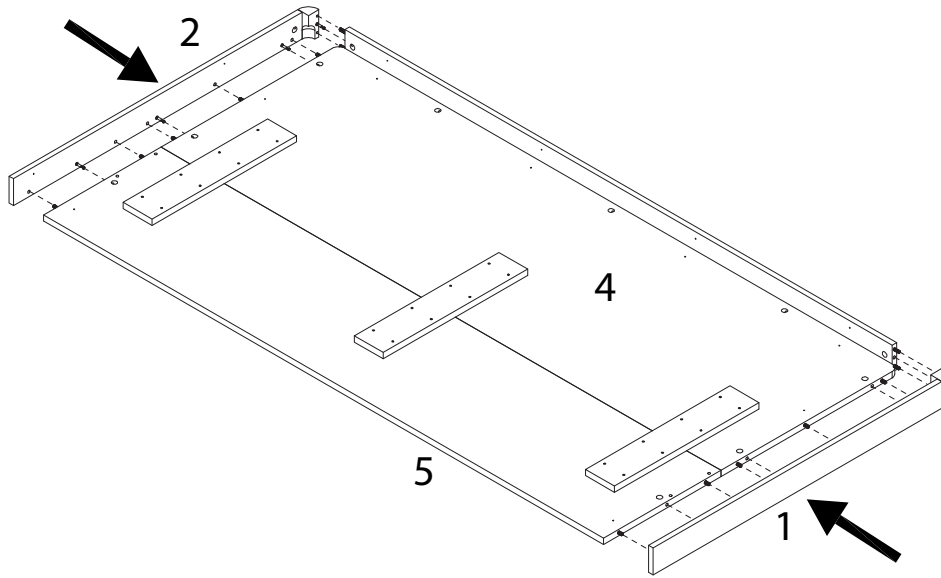
9



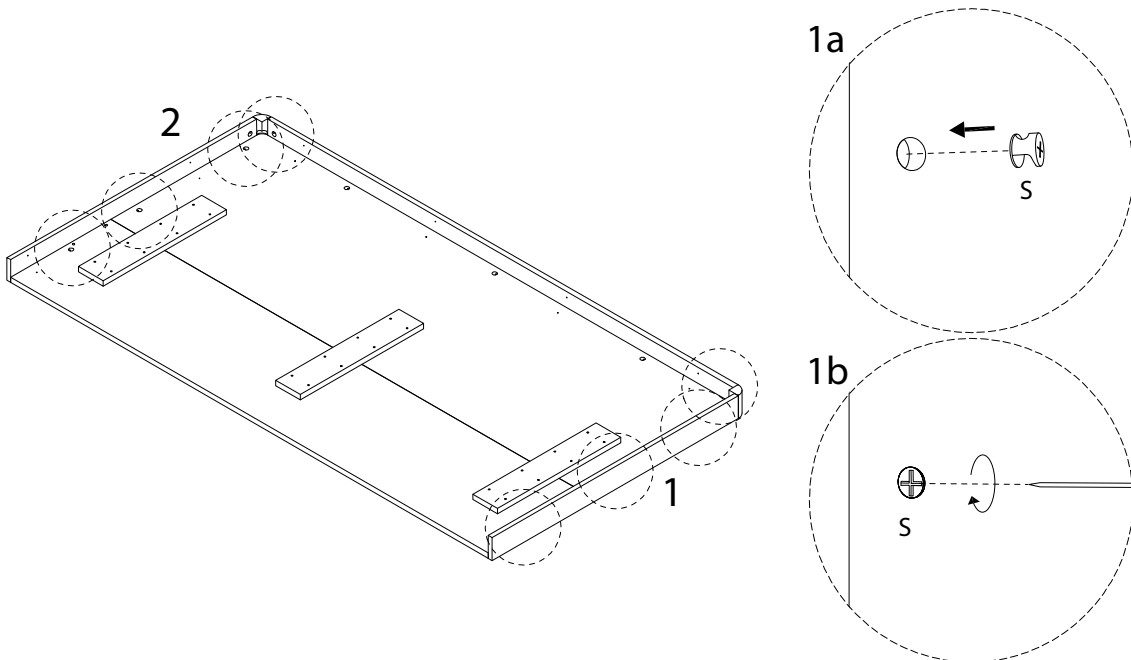
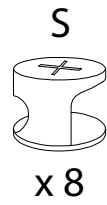
10



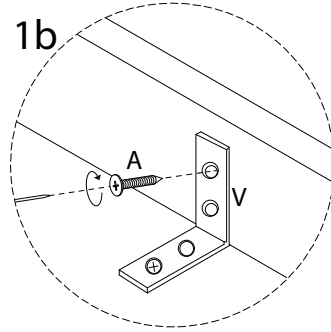
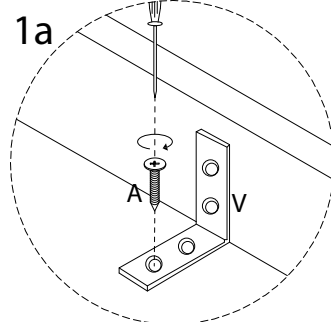
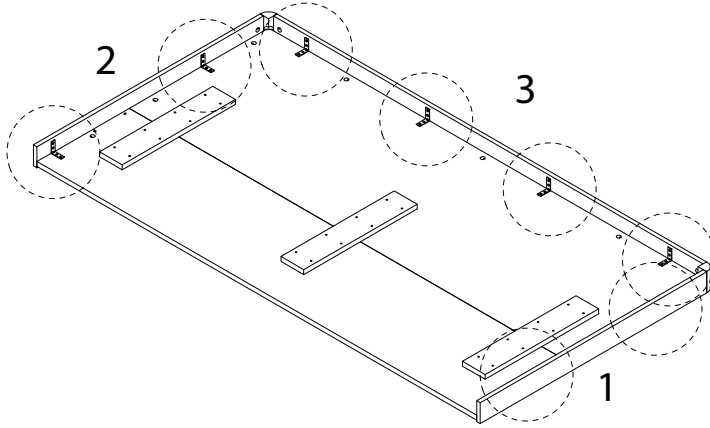
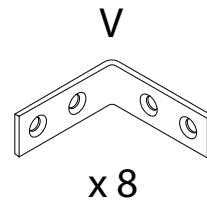
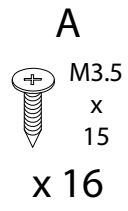
11



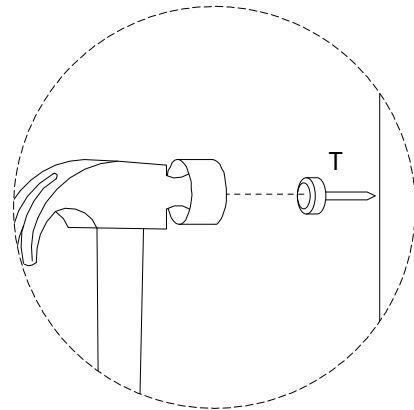
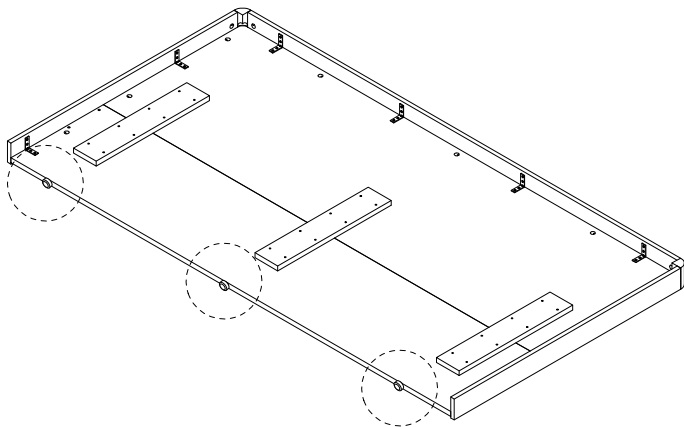
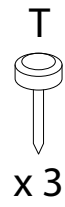
12



13



14



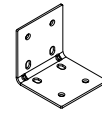
15

C

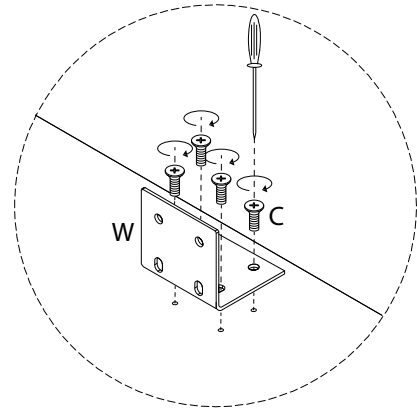
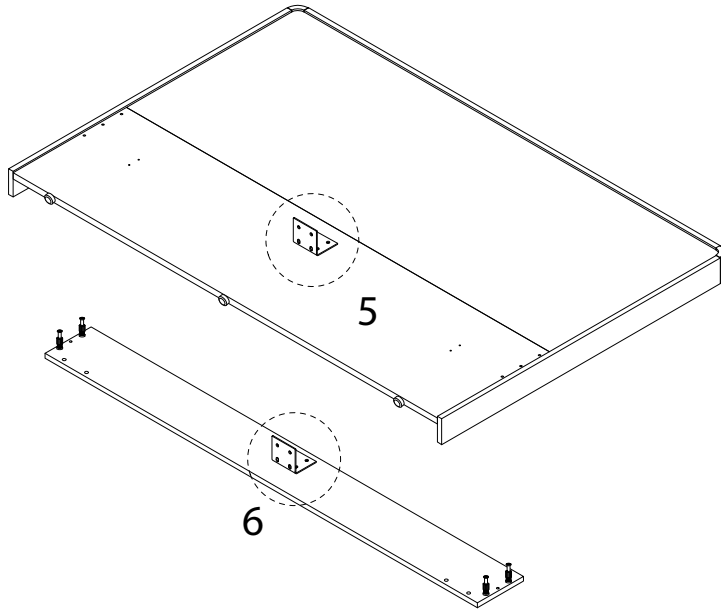


x 8

W

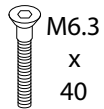


x 2



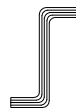
16

J



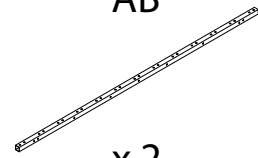
x 18

Y

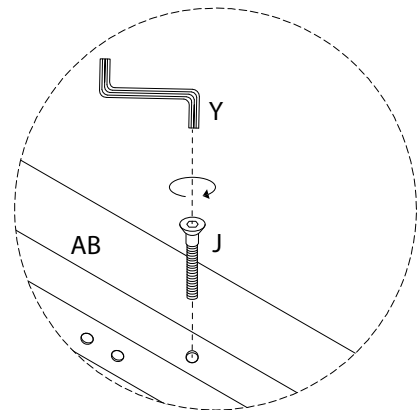
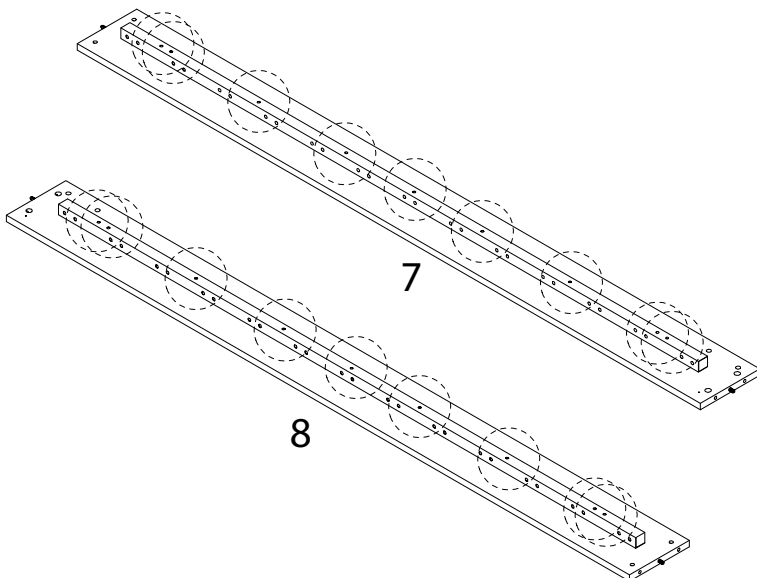


x 1

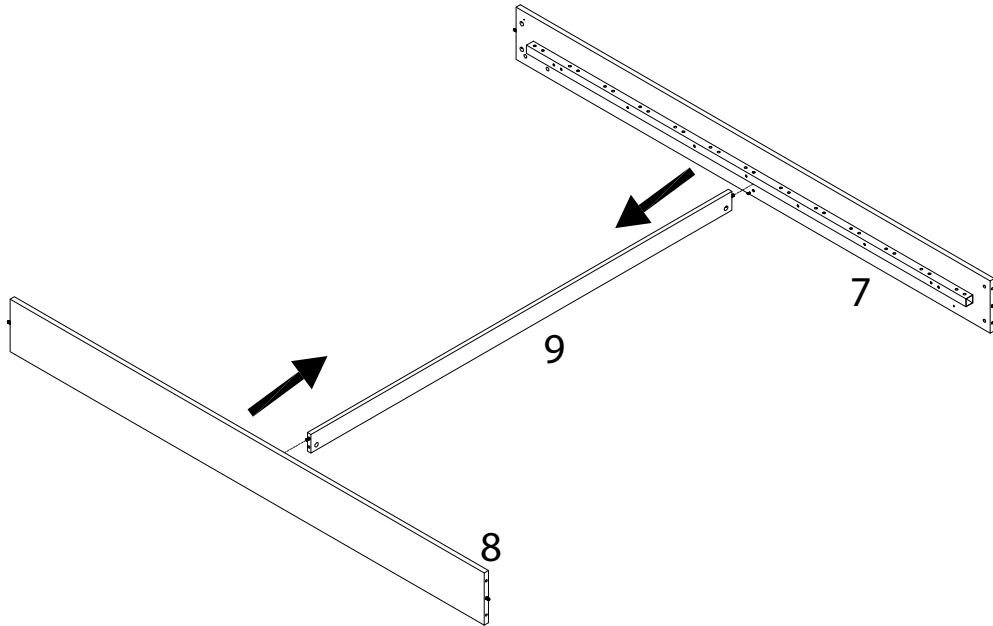
AB



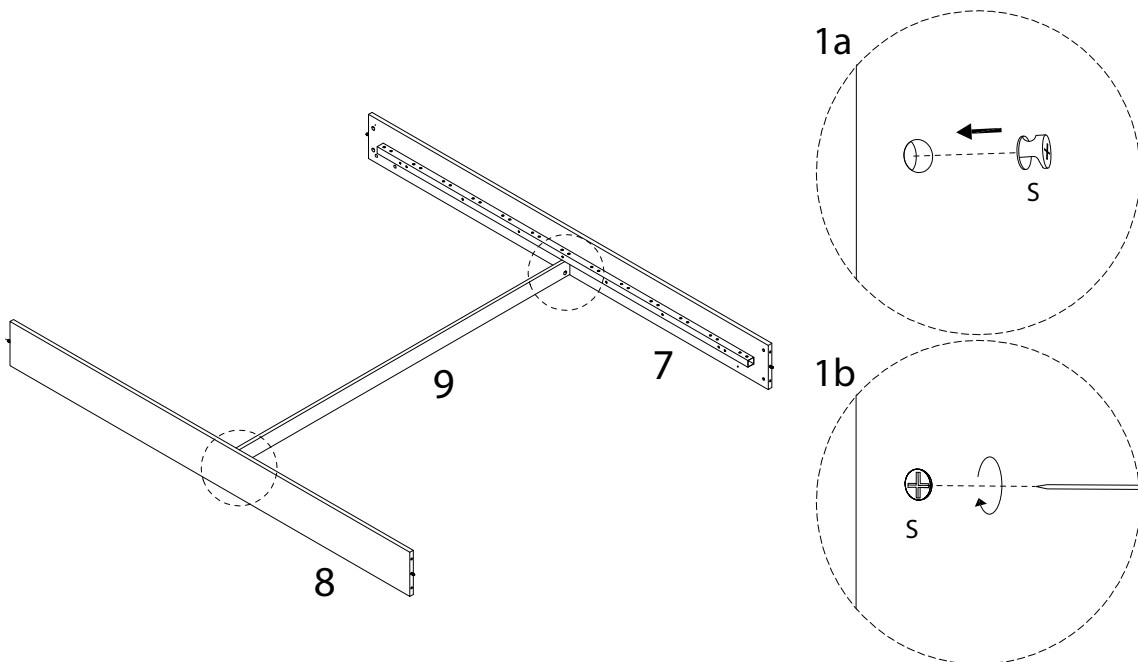
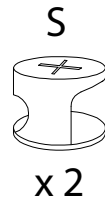
x 2



17



18

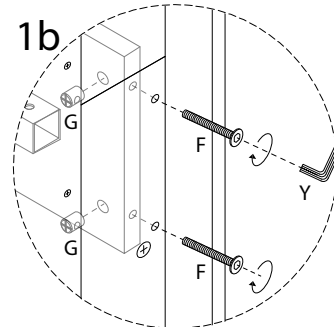
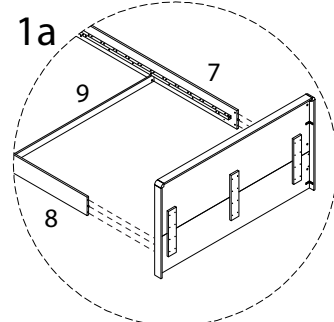
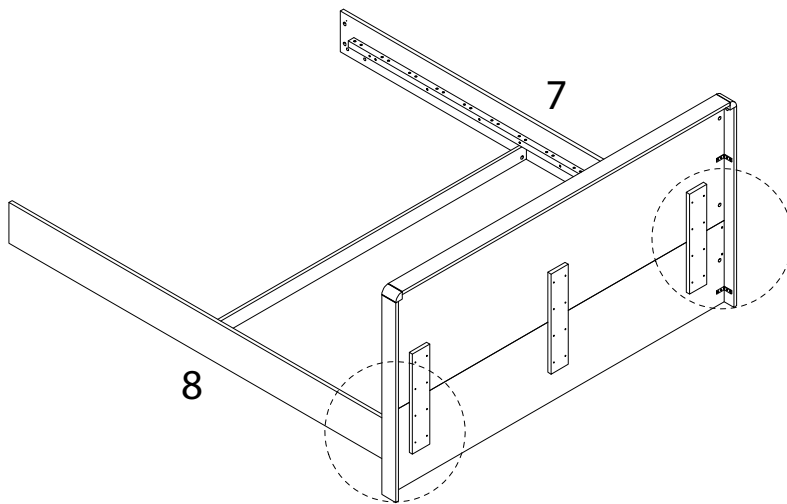


19

F
M6
x
60
x 4

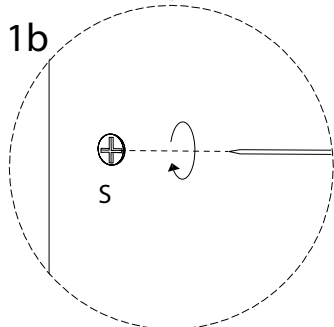
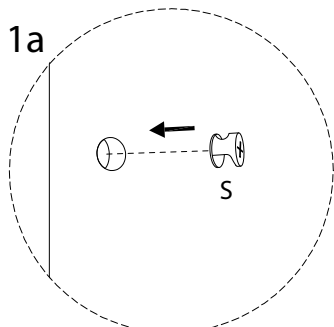
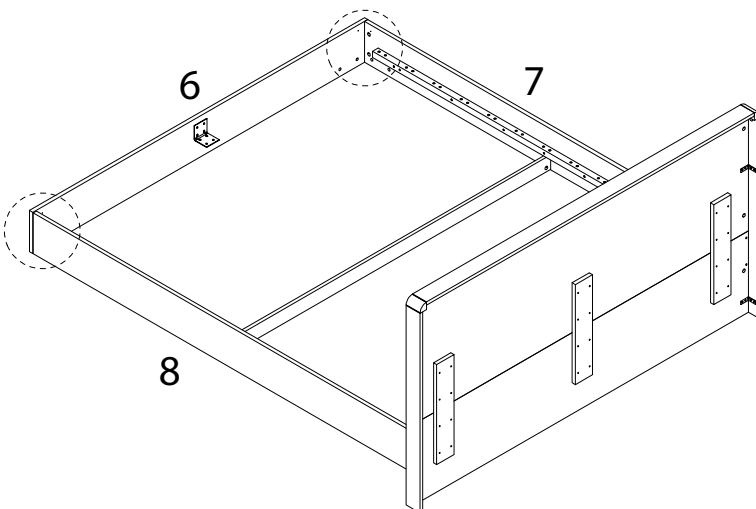
G
x 4

Y
x 1



20

S
x 4



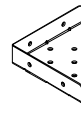
21 x 2

11

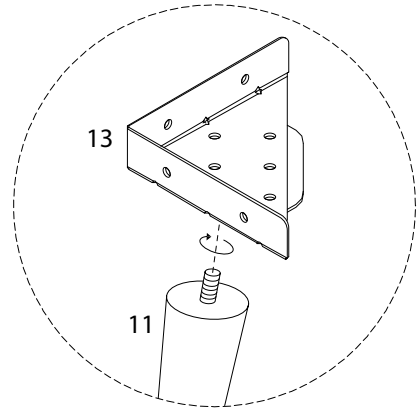
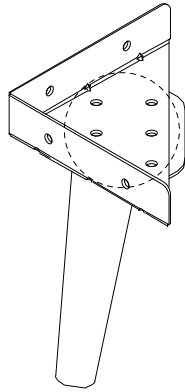


x 1

13



x 1



22

D

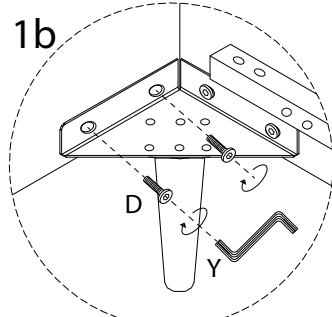
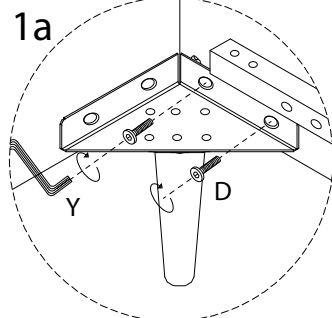
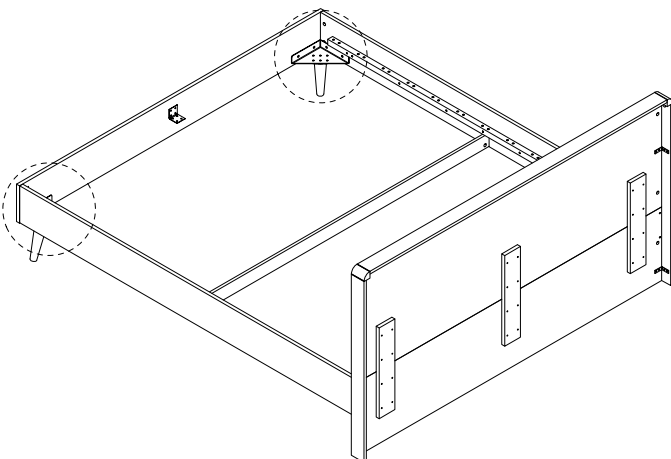


x 8

Y

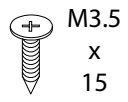


x 1



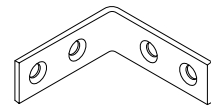
23

A

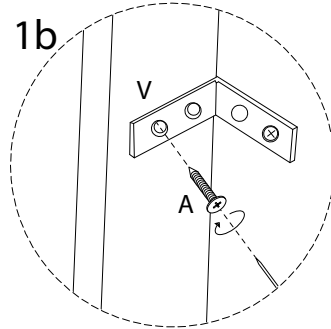
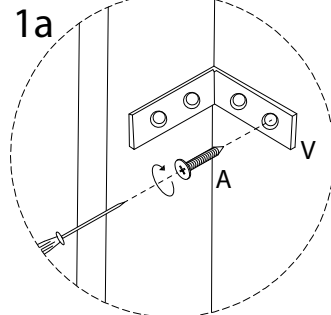
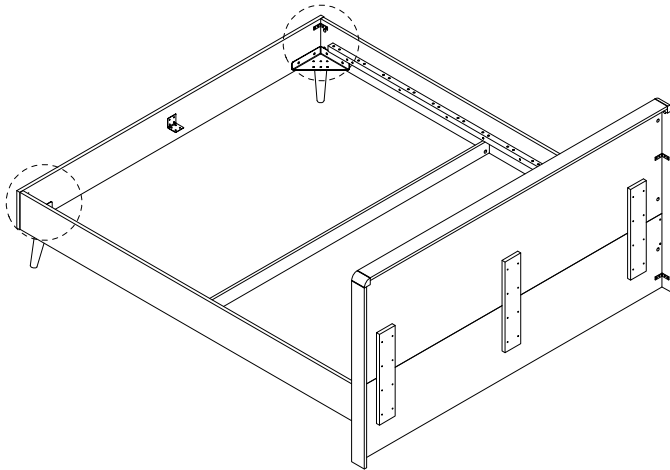


x 4

V



x 2



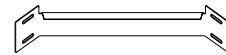
24

C

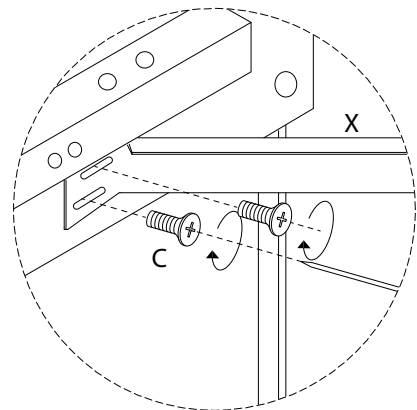
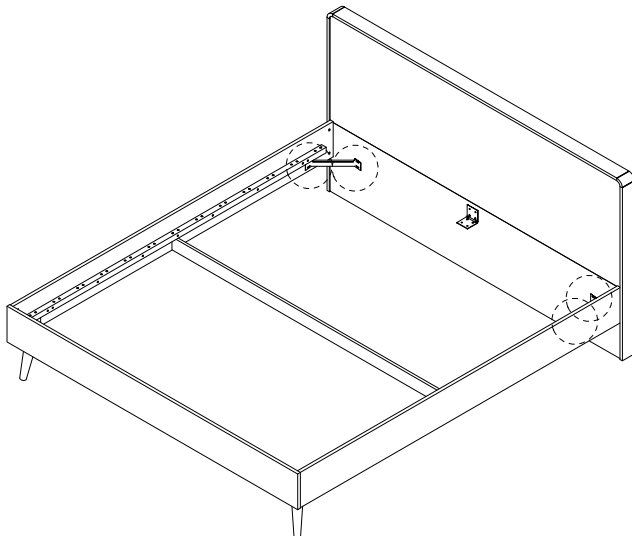


x 8

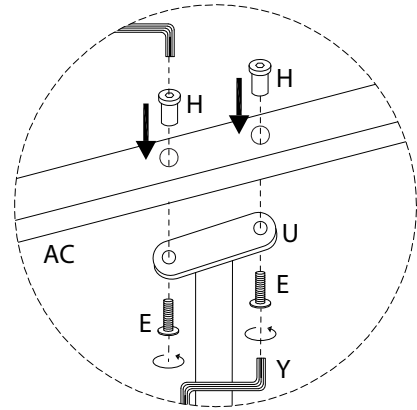
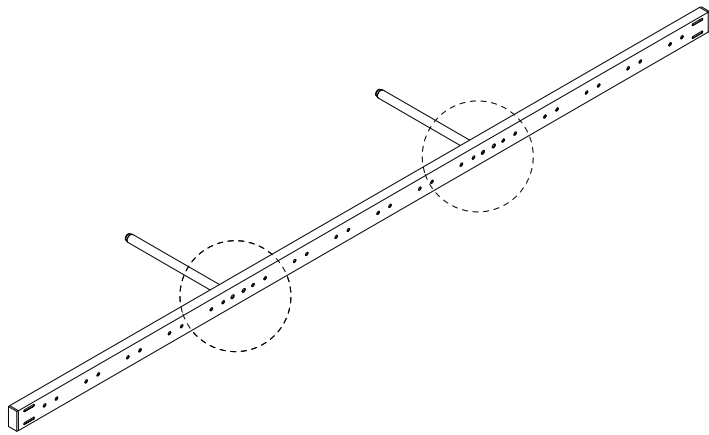
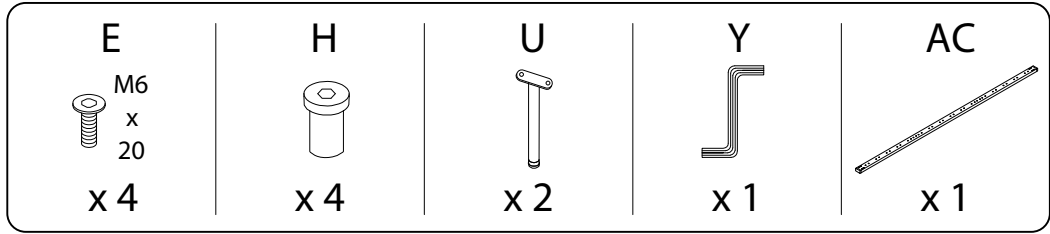
X



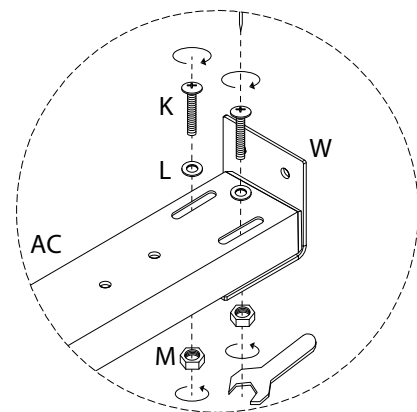
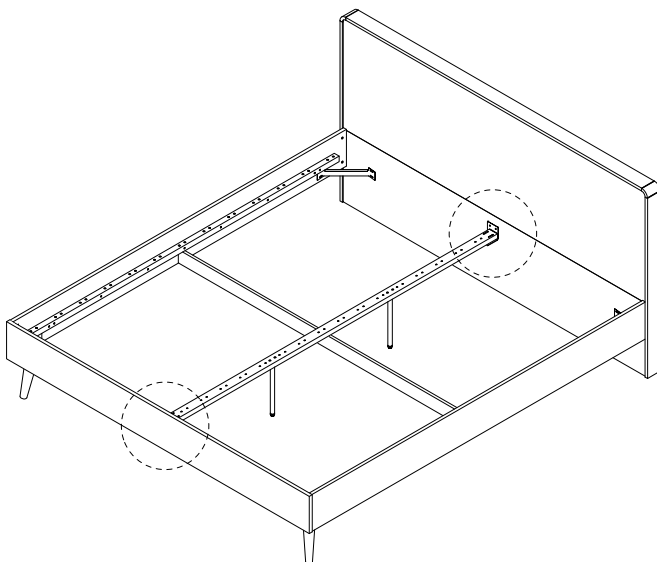
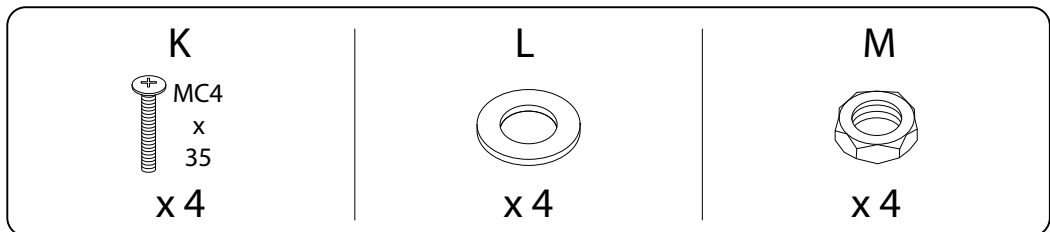
x 2



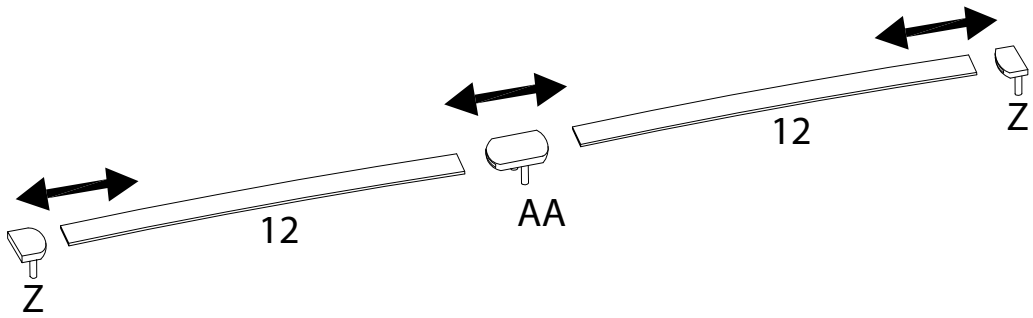
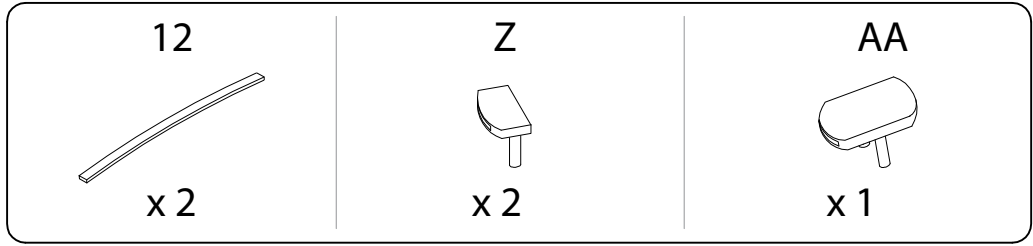
25



26



27x 16



28

