



INSTALLATION GUIDE



Arlington Single Lever
Bathroom Faucet W/ Pop Up
PB-L03

RECOMMENDED TOOLS AND MATERIALS

- ◆ Plumbers Putty
- ◆ Silicone Sealant
- ◆ Adjustable Wrench
- ◆ Tape Measure
- ◆ Basin Wrench
- ◆ Phillips Screwdriver
- ◆ Pencil
- ◆ Masking Tape

BEFORE YOU BEGIN

There are a variety of things to do before installing any new plumbing system into your home or residence. Before you begin work make sure you:

- ◆ Shut off the main water supply
- ◆ Observed any local plumbing codes
- ◆ If possible, install the faucet before the sink
- ◆ Inspect tubing for damage - Replace as necessary

Pacific Bay reserves the right to make any revisions in the design of faucets without notice.

MAINTENANCE AND CLEANING

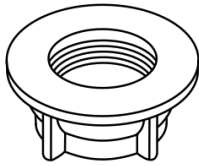
Cleaning Tips: The finish on your faucet is designed to retain its beautiful sheen for years. To maintain the original look of the finish, a little care and caution should be used. We recommend the use of mild soap and water to clean the faucet. **THE USE OF ABRASIVE CLEANERS MAY SCRATCH THE FINISH OR CAUSE OTHER DAMAGE.**

INSTALLATION OF THE FAUCET

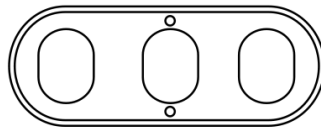
Before starting turn off both the hot and cold water supply lines and remove the old faucet. Clean around all areas of attachment before placing new faucet on sink to help prevent corrosion after installation.

Parts List

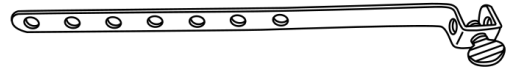
Faucet Lock-nut



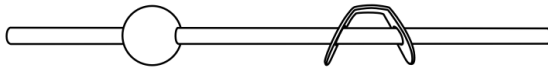
Base Plate



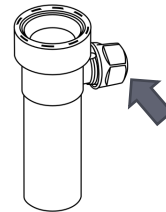
Clevis



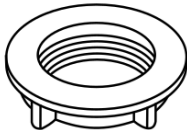
Horizontal Pivot Rod



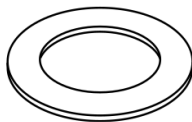
Retaining Nut



Plastic Lock-Nut



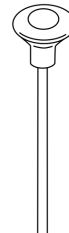
Plastic Washer



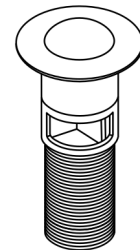
Rubber Seal



Stopper Rod

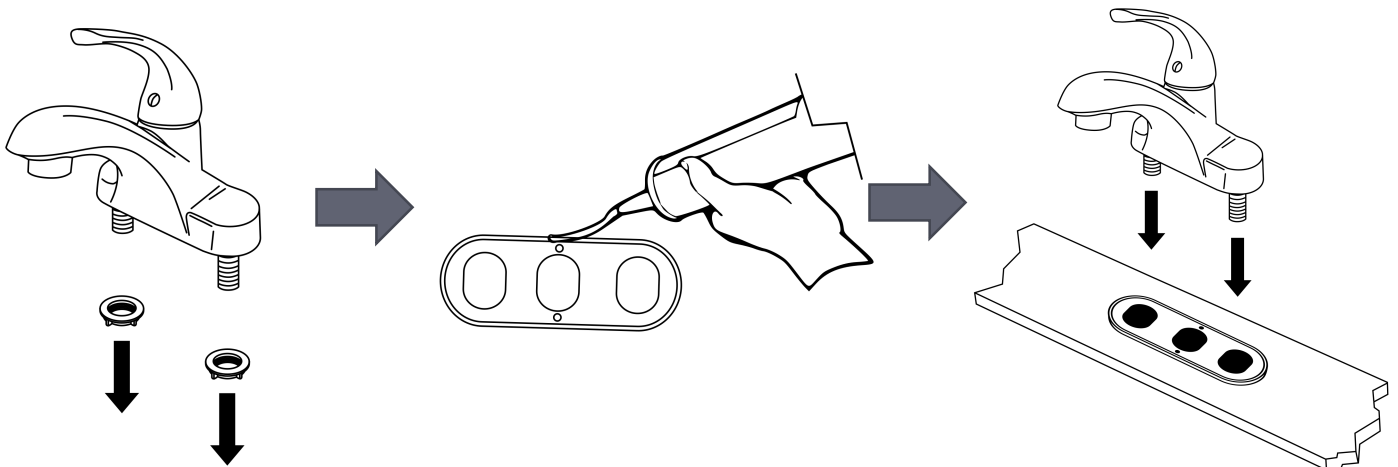


Stopper



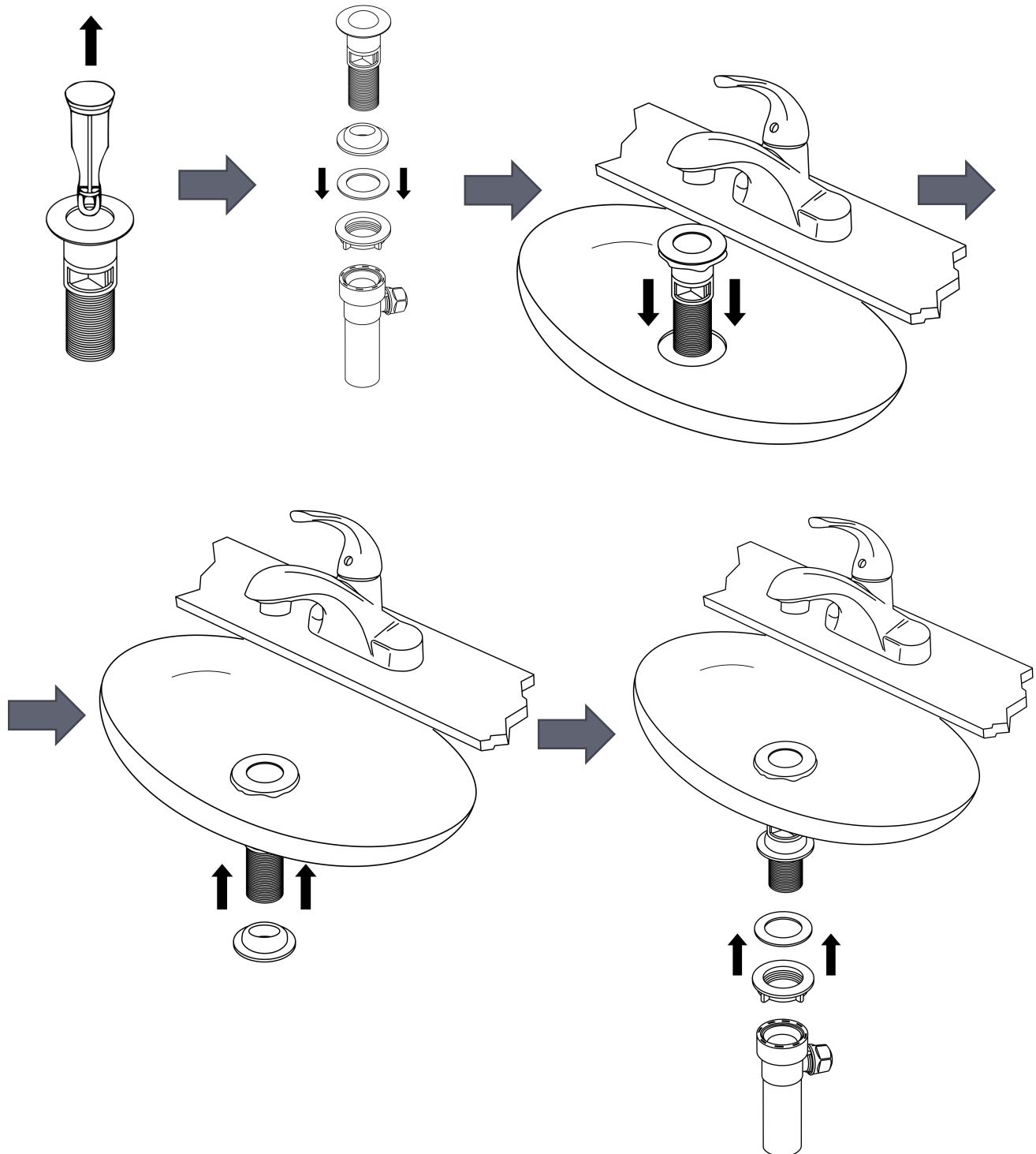
1 Secure Faucet

Remove the lock-nut provided. Plumbers Putty can be used to secure the base plate. Place the base plate and then the faucet on the sink by feeding the faucet down through the holes in the sink. From below secure faucet by re-attaching lock-nut and screwing down until tight.



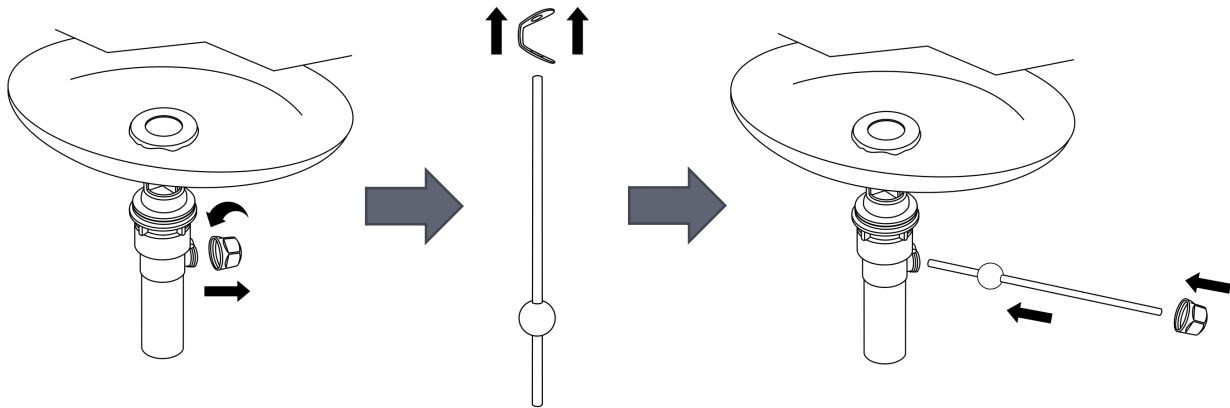
2 Install Drain

Remove the stopper from the drain and unscrew drain from plastic pipe. Remove plastic lock-nut, washer, and rubber seal from the drain. Apply plumbers putty or Silicone sealant to the bottom edges of the drain. Once applied, press firmly into place (note: there should be excess plumbers putty pushing out from the edges. This can be removed later). Attach rubber seal, washer, and lock-nut back onto bottom of sink. Once applied, attach the plastic pipe with the retaining nut attached and screw into place.



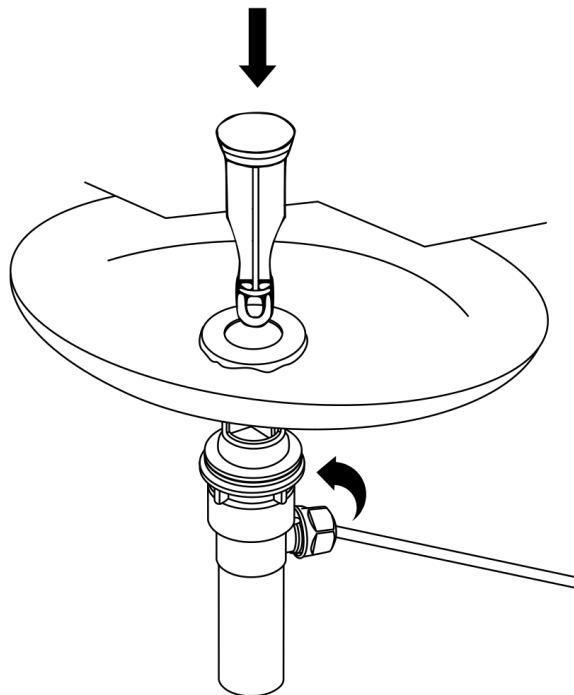
3 Install Horizontal Pivot Rod

Remove the Retaining nut being sure to leave the plastic ring inside. Remove the Metal spring attached to the horizontal pivot rod, set aside. Insert the horizontal pivot rod, ball first, into the pipe. Feed the retaining nut over the rod and lightly attach without tightening.



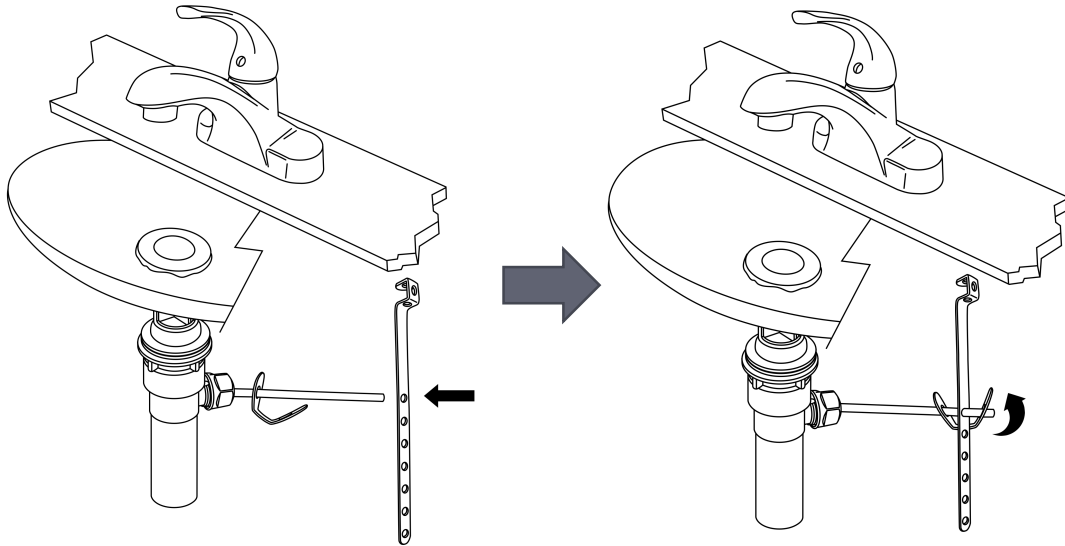
4 Insert Stopper

With the horizontal pivot rod in place, but not tightened down, insert the stopper making sure the end of the horizontal pivot rod goes through the loop at the bottom of the stopper. Once the rod is through the hole tighten down the retaining nut to secure the rod in the loop.



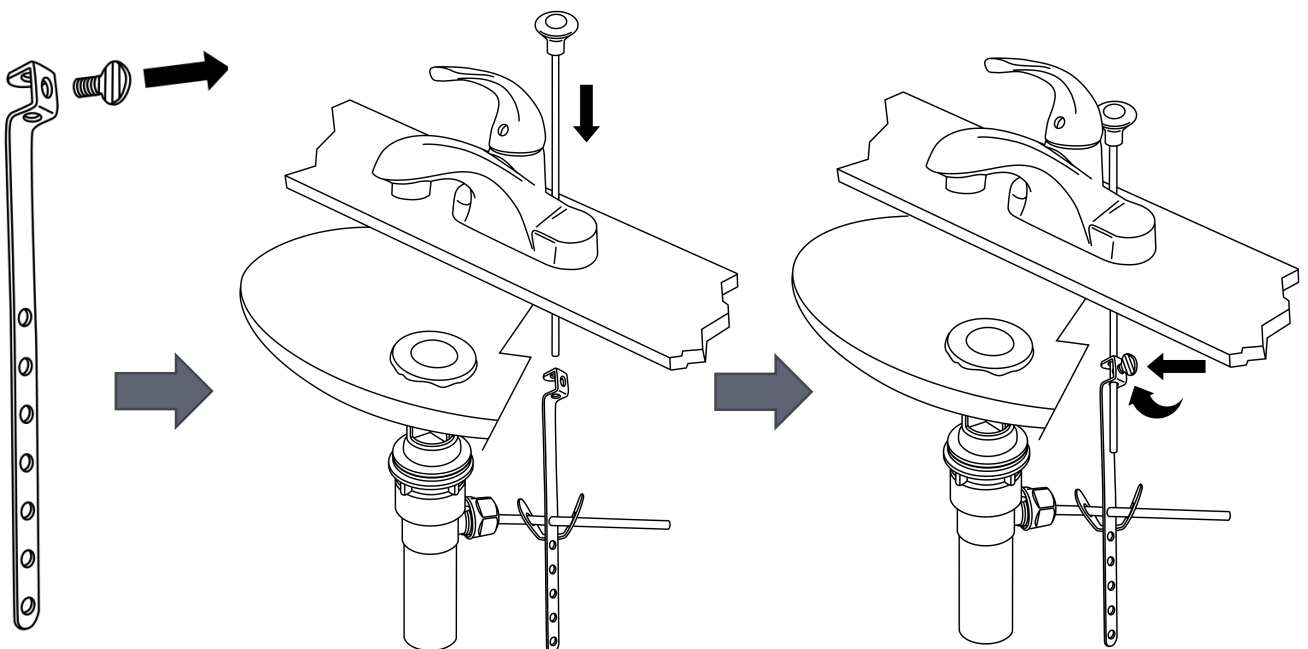
5 Attach Clevis

Put the spring from the horizontal pivot rod halfway onto the rod. While it is still half on attach the clevis (choosing the hole to match the needed height for your sink or preference). Lock the clevis into place by completely attaching the spring and sliding it along the horizontal pivot rod to a desired location.



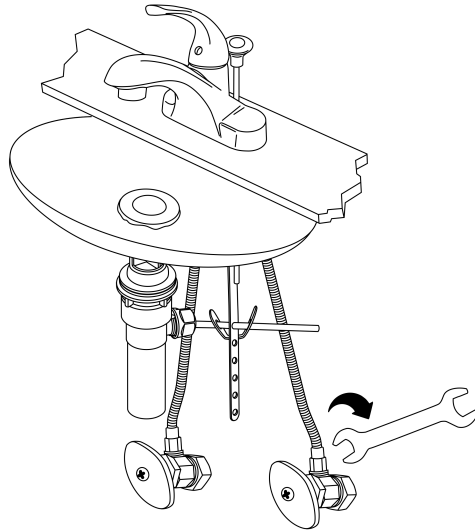
6 Attach Stopper Rod

Loosen the clevis screw until you can insert the stopper rod. From above the sink, feed the stopper rod down through the faucet opening and through the holes in the clevis. Tighten down the clevis screw to secure stopper rod.



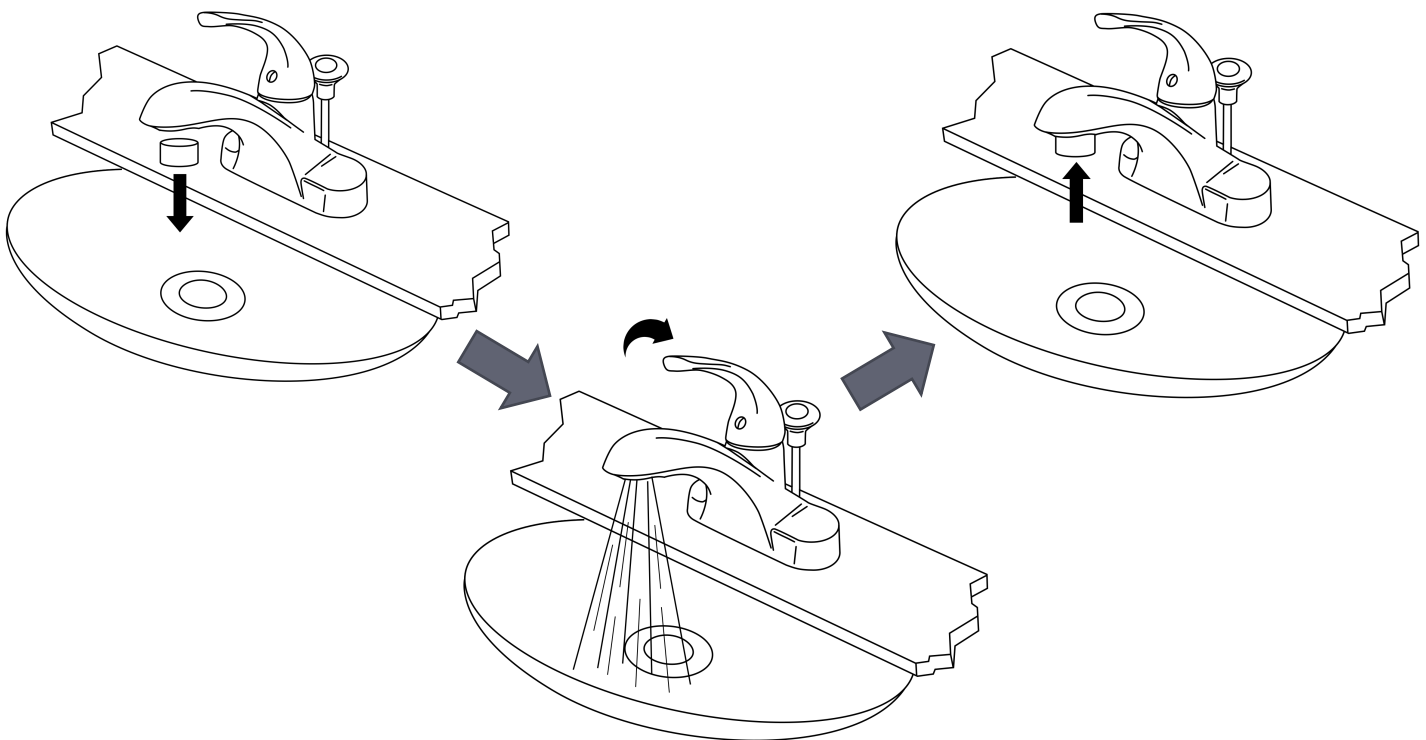
7 Connect Supplies

With the stopper correctly installed (you should be able to push it up and down now) securely attach supply lines to the faucet base followed by the water source. Tighten all connections with wrench to ensure that no leaking occurs. With all pipe attachments plumbers tape can be utilized to help reduce the risk of leaking.



8 Flush Lines

Remove the aerator. Turn on the hot and cold water supply lines. Turn the faucet handle to the cold side and lift the handle to the “on” position. Run the water for one minute to remove any potential debris. Rotate handle to the warm side and run for a minute. During this process watch for any water leaks in the pipes. Reinstall the aerator.





Limited Lifetime Warranty

Pacific Bay products have been manufactured under the highest standards of quality and workmanship. Pacific Bay warrants to the original purchaser for as long as the original purchaser owns their home that this faucet will be leak- and drip-free during normal use and that all parts and finishes of this faucet will be free from defects in material and manufacturing workmanship. If the faucet is used commercially Pacific Bay warrants the faucet to be free from defects in material and workmanship for (5) years from the date the faucet was purchased. Plated metal and plated plastic finishes are warranted for (1) year.

If the faucet should develop a leak or drip during the warranty period, Pacific Bay will, free of charge, provide the parts necessary to put the faucet back into good working condition by you. They may also replace any part or finish that proves defective in material and manufacturing workmanship, under normal installation, use and service free of charge. Proof of purchase (original sales receipt) from the original purchaser must accompany all warranty claims. Defects or damages caused by the use of other products or parts is not covered by this warranty. If repair or replacement is not practical, Pacific Bay may elect to refund the purchase price in exchange for the return of the product.

This warranty covers replacement of all defective parts and finishes. However, damage due to product abuse, product misuse, installation error, or the use of cleaners containing alcohol, abrasives, or other solvents, whether performed by a contractor, service company, or yourself will void this warranty. Pacific Bay will not be responsible for labor charges and/or damages incurred in installation, repair or replacement, nor any indirect, incidental or consequential damages, losses, injury costs of any nature relating to this faucet. Except as provided by law, this warranty is in lieu of and excludes all other warranties, conditions and guarantees, whether expressed or implied, statutory or otherwise, including without restriction those of merchantability or of fitness for use.

Pacific Bay will advise you on how to proceed in making warranty claims. To begin a warranty claim, write to Pacific Bay explaining the defect and include proof of purchase and your name, address and telephone number. Email is info@pacificbayfaucets.com.