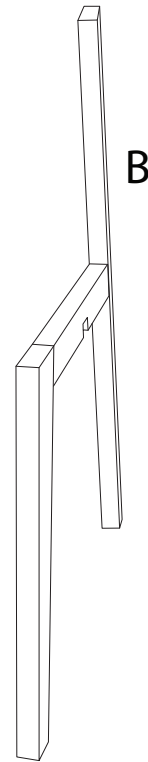
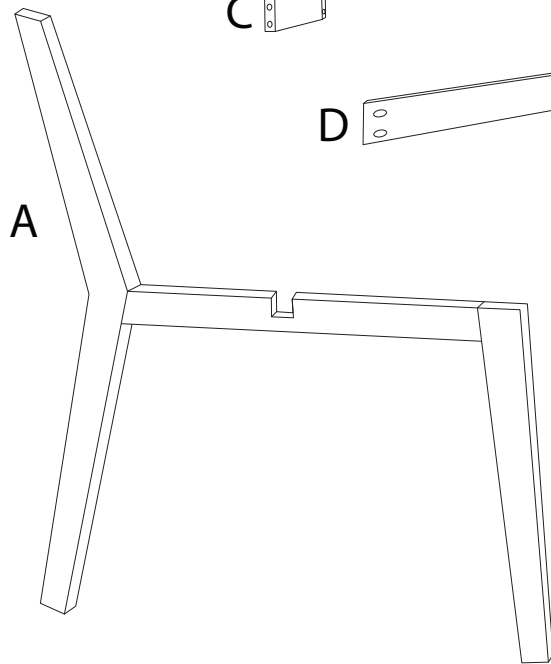
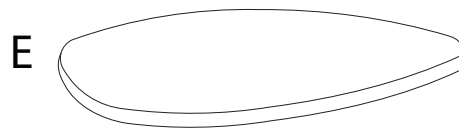
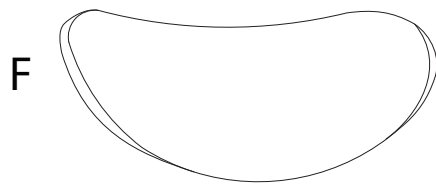
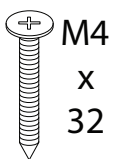


Diagram illustrating assembly steps and safety warnings:

- Step 1:** Shows a screwdriver and an Allen key (hex key) in a circle, indicating the tools required. A power drill is shown with a diagonal line through it, indicating it is not to be used.
- Warning:** A triangle with an exclamation mark indicates a warning.
- Time:** A clock icon indicates a time requirement of **30'** (30 minutes).
- Step 2:** Shows a rectangular block being placed on a textured surface in a circle. A second diagram shows the block with a diagonal line through it, indicating it should not be placed on a soft or uneven surface.
- Warning:** A triangle with an exclamation mark indicates a warning.
- Person:** A stick figure icon indicates that **1** person is required for assembly.

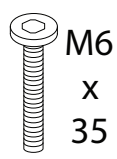


1



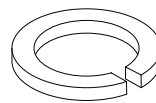
x 12

2



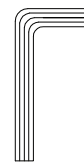
x 4

3



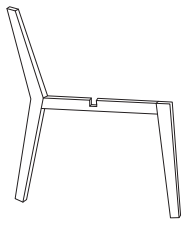
x 4

4



x 1

A



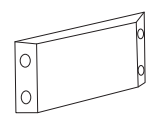
x 1

B



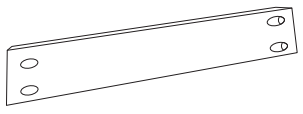
x 1

C



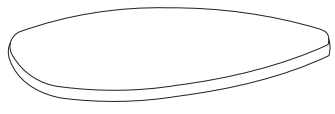
x 1

D



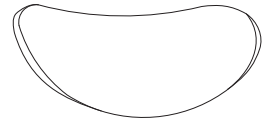
x 1

E



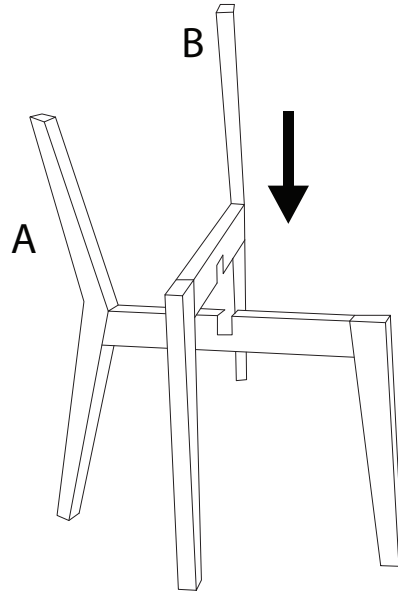
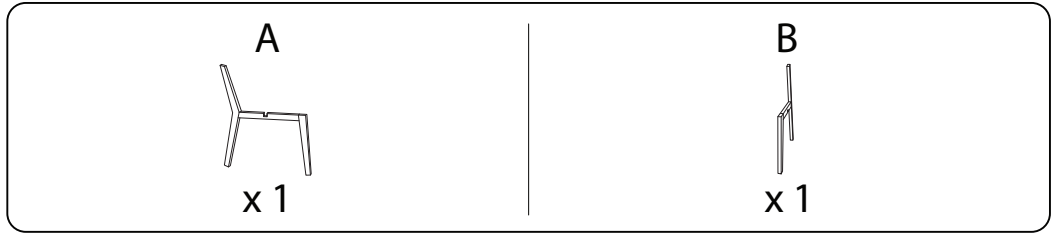
x 1

F

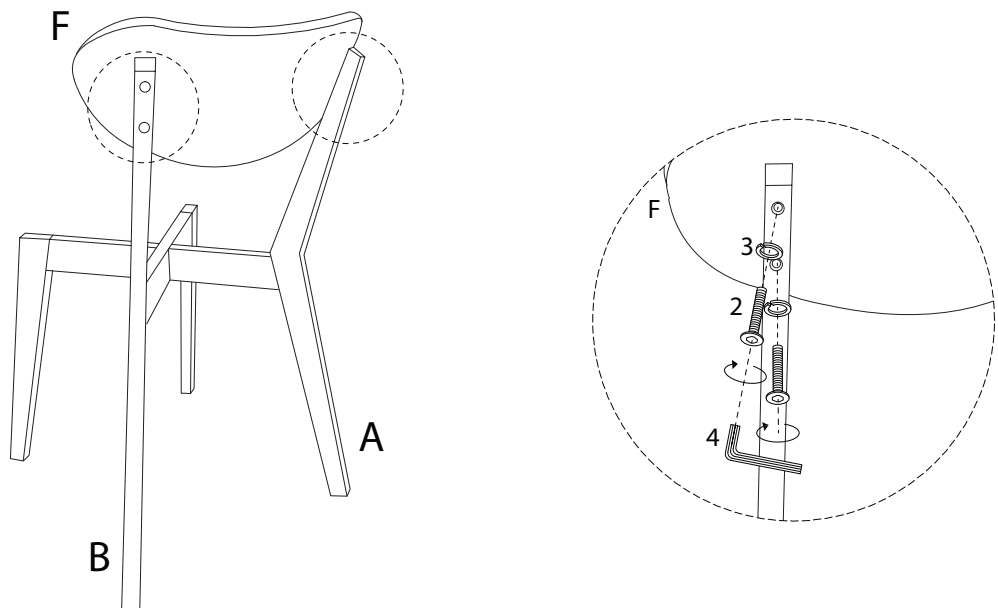
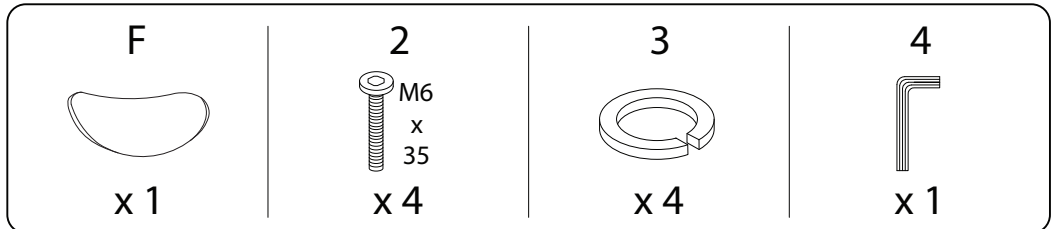


x 1

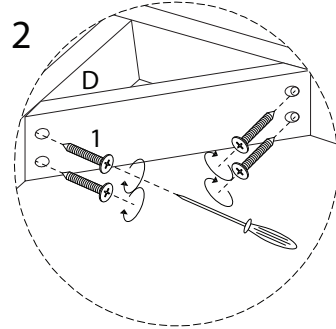
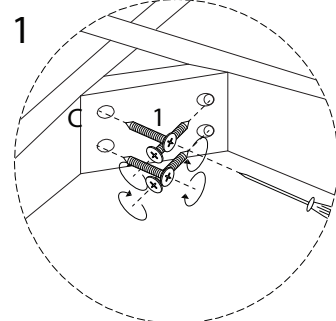
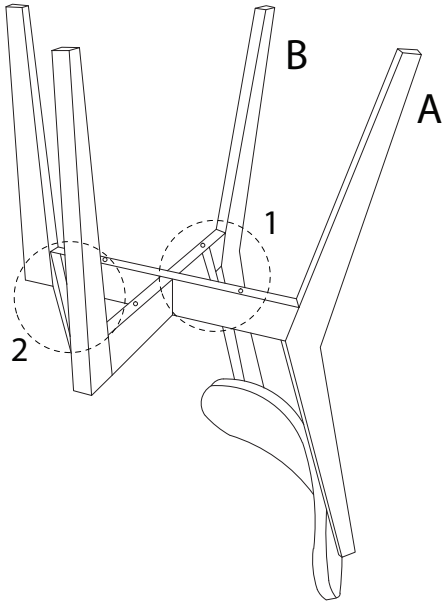
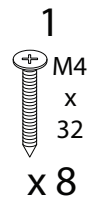
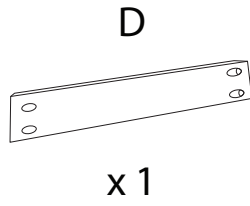
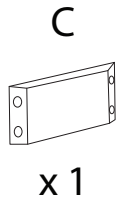
1



2



3



4

