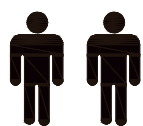
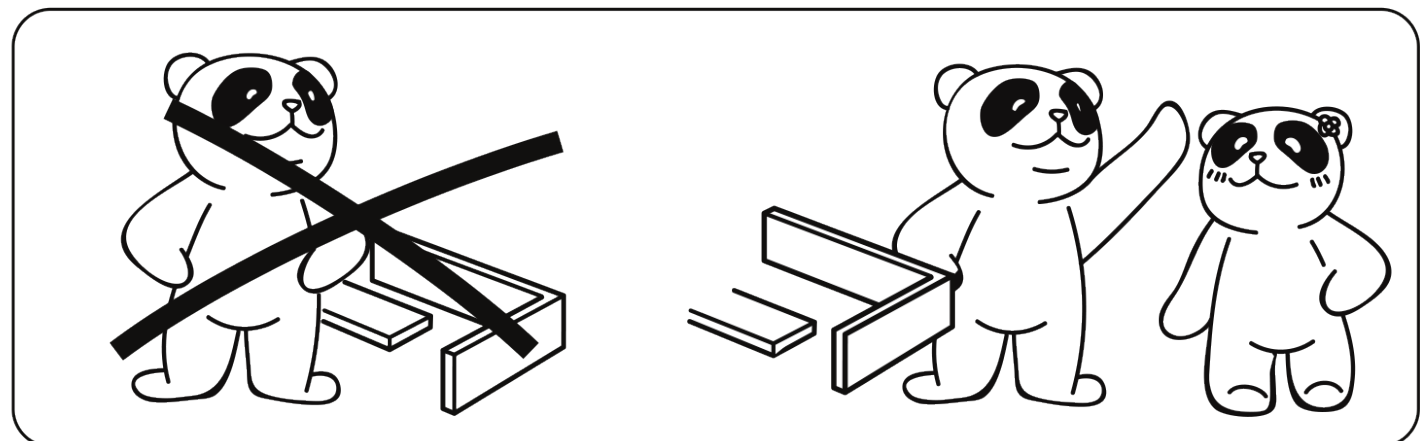
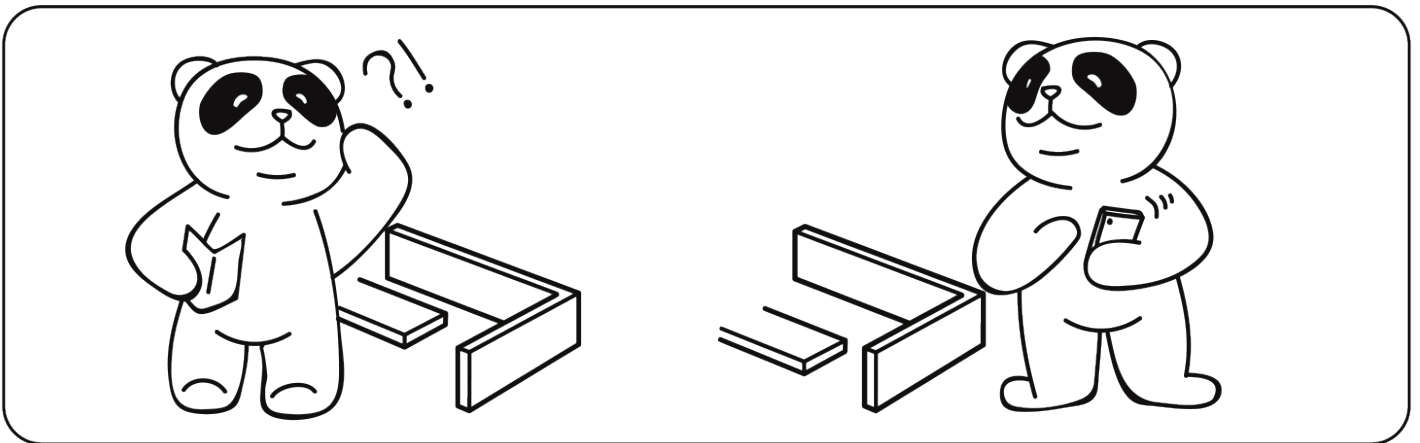
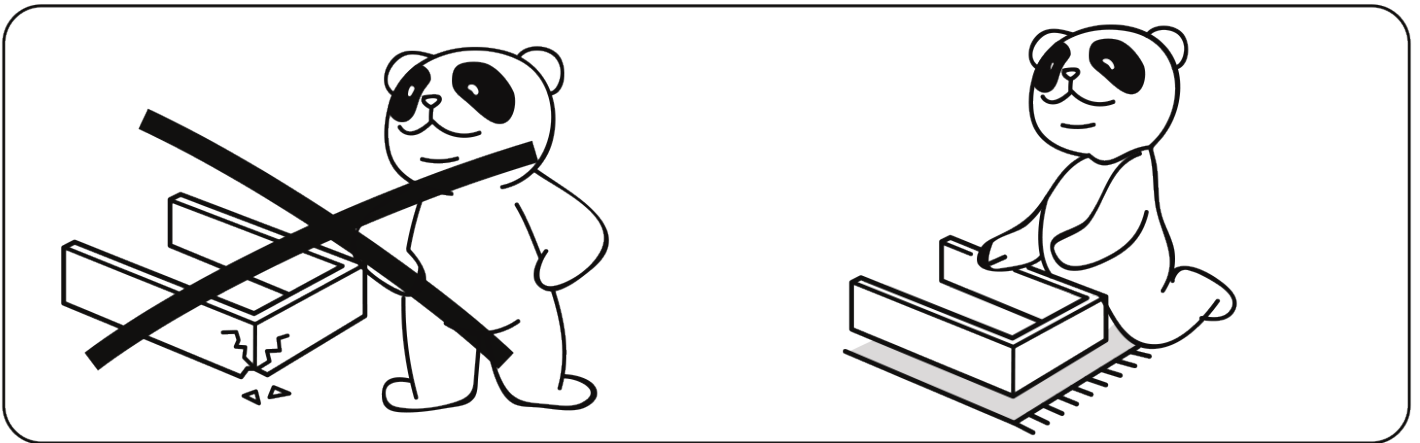
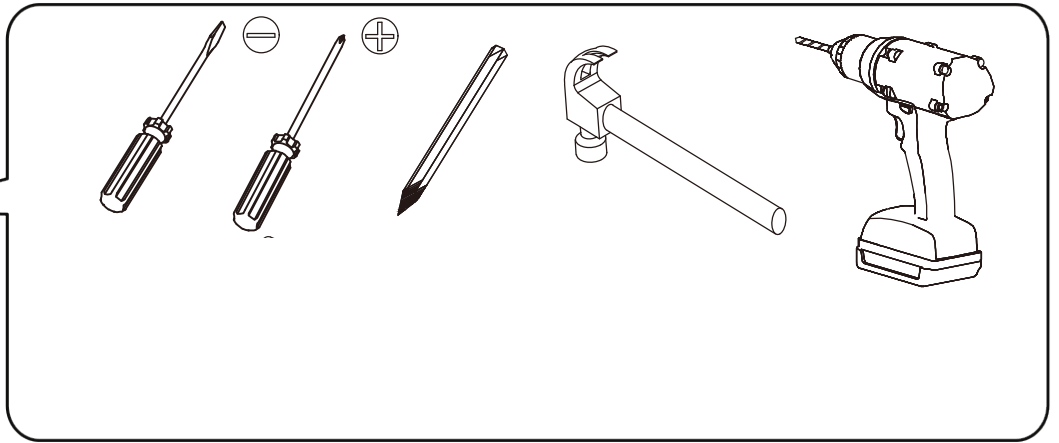


Version: 1.0



2 PERS.





# Installation Parts



**A**

x36(+2)  
Ø6x35mm



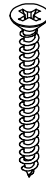
**B**

x36(+2)  
Ø15x10mm



**C**

x40(+2)  
Ø6x30mm



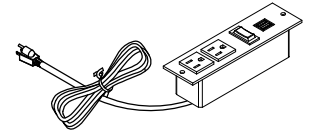
**D**

x24(+2)  
Ø4x35mm



**E**

x48(+3)  
Ø3x12mm



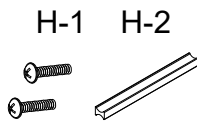
**F**

x1



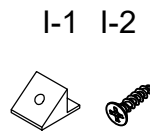
**G**

x2  
Ø3.5x12mm



**H**

x3



**I**

x6  
Ø3x16mm



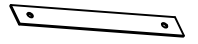
**J**

x2  
Ø4x14mm



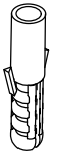
**K**

x1



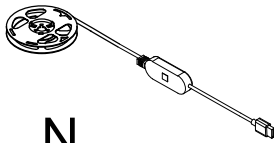
**L**

x2



**M**

x2



**N**

x1



**P**

x8  
Ø6x40mm



**Q**

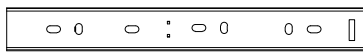
x1



**R**

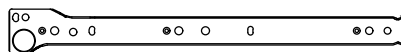
x1  
Ø3.5x10mm

## Drawer



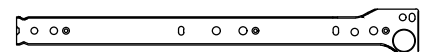
**O**

x2  
300mm



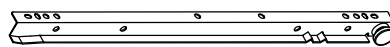
**CL**

x3  
300mm



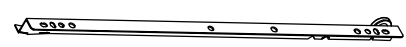
**CR**

x3  
300mm



**DL**

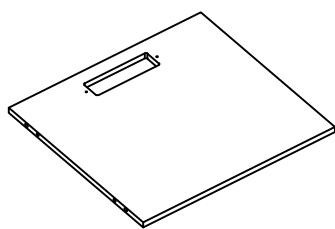
x3  
300mm



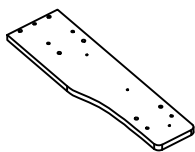
**DR**

x3  
300mm

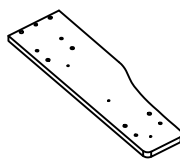
# Install the footstool



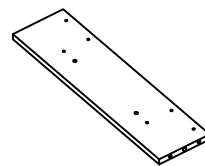
①  
x1



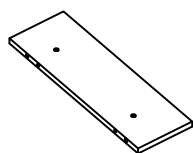
②  
x1



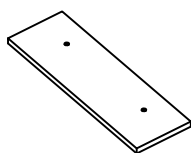
③  
x1



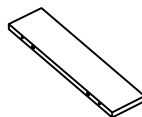
④  
x1



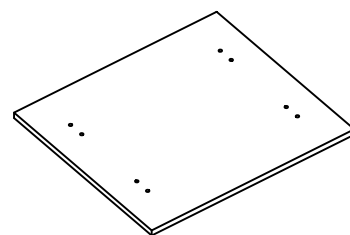
⑤  
x1



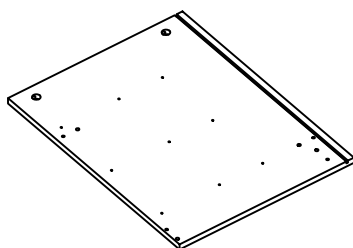
⑥  
x1



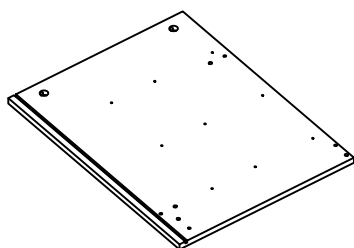
⑦  
x2



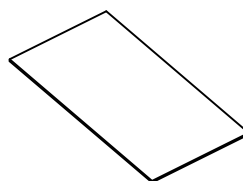
⑧  
x1



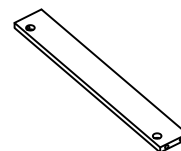
⑨  
x1



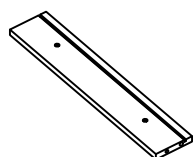
⑩  
x1



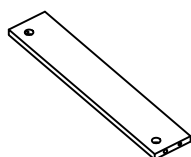
⑪  
x2



⑫  
x1



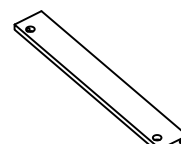
⑬  
x1



⑭  
x1

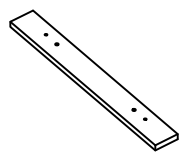


⑳  
x1

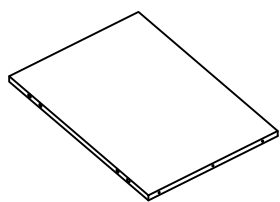


㉔  
x1

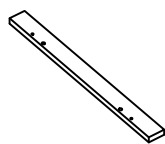
# Drawer



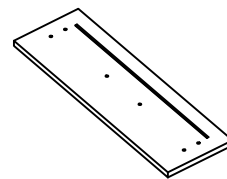
15  
x1



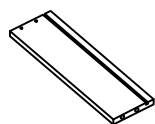
16  
x1



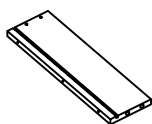
17  
x1



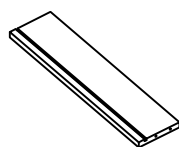
18  
x3



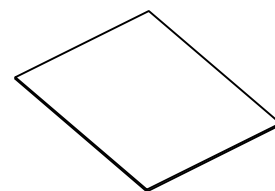
19  
x3



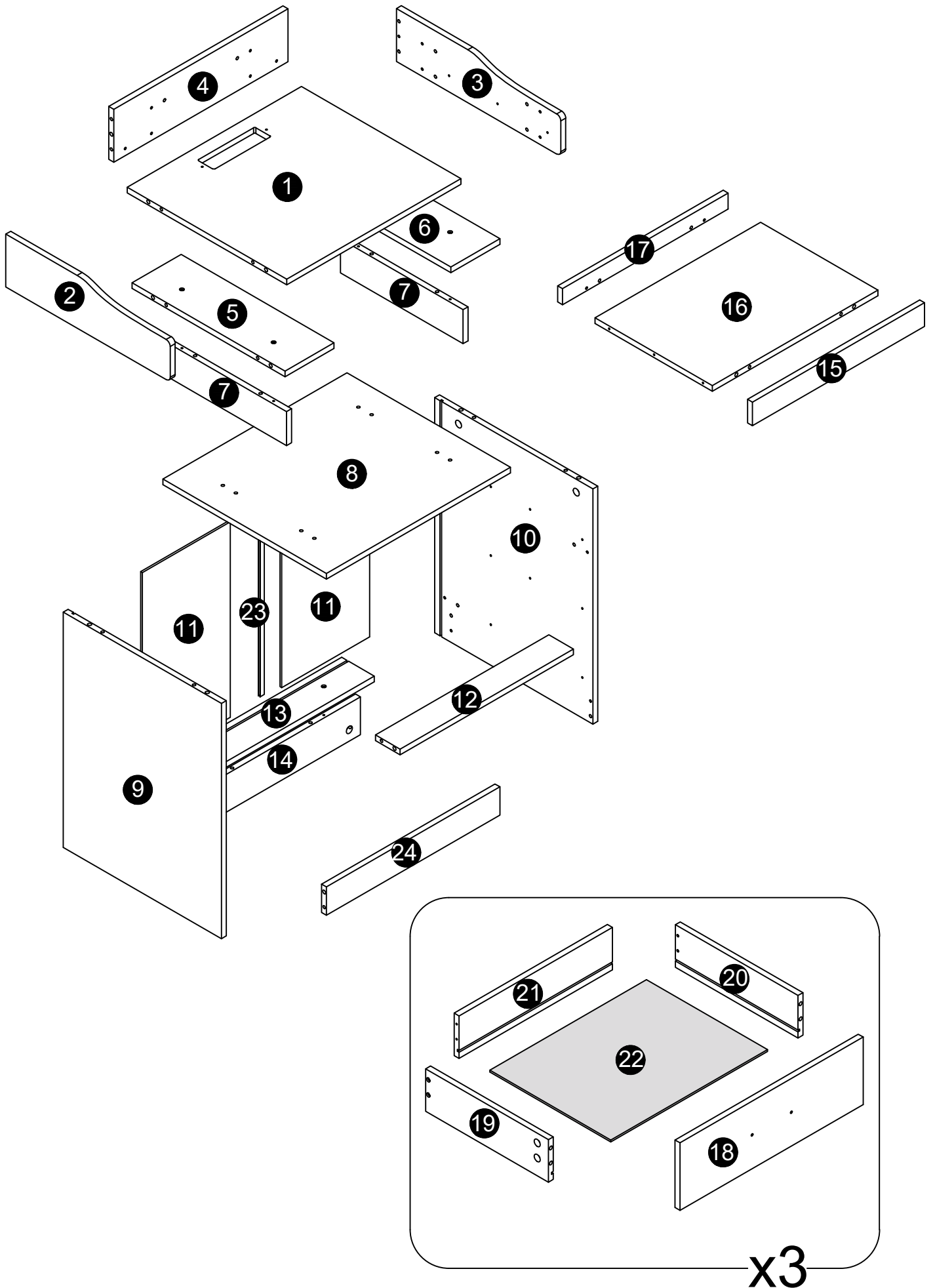
20  
x3



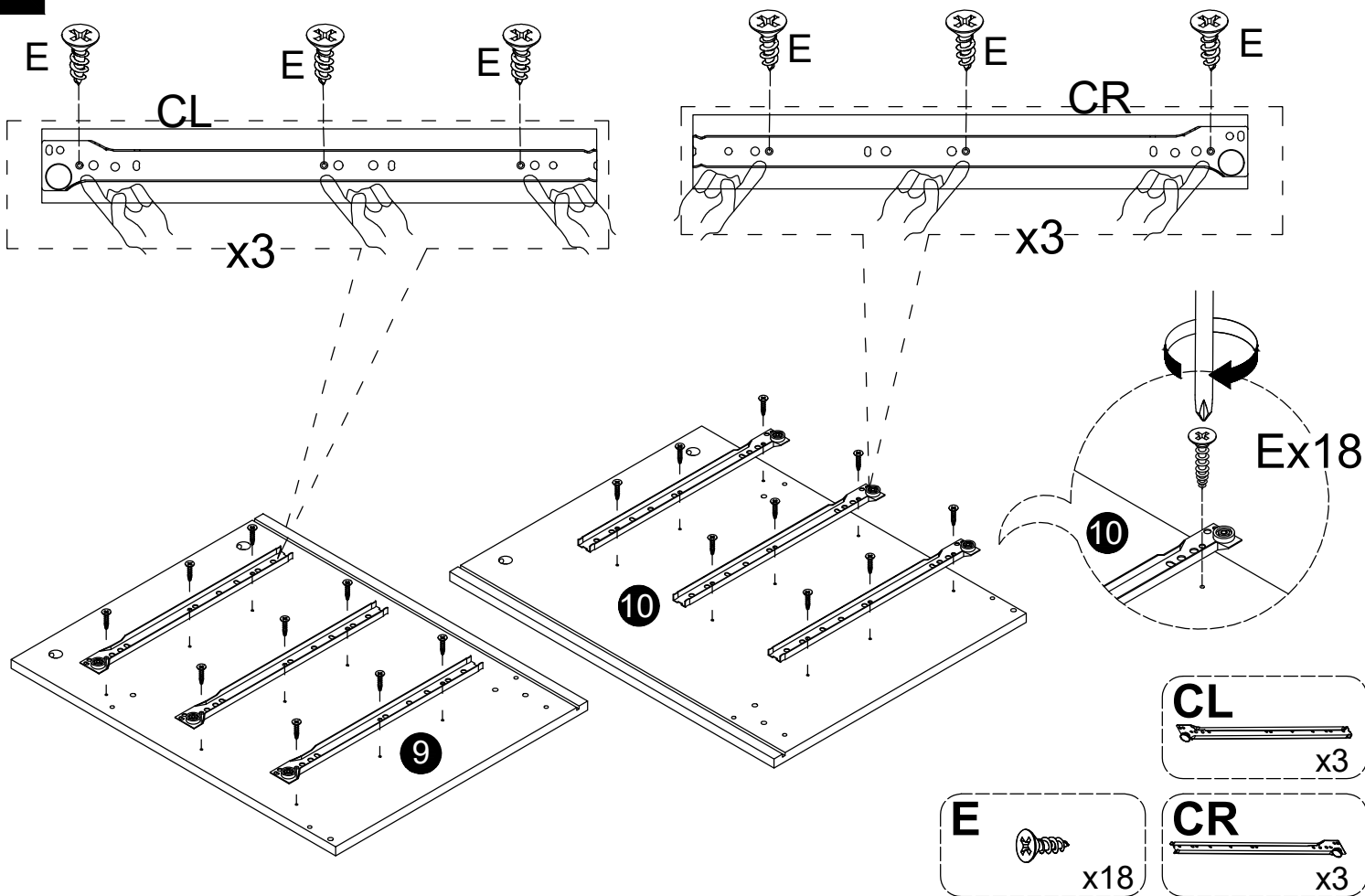
21  
x3



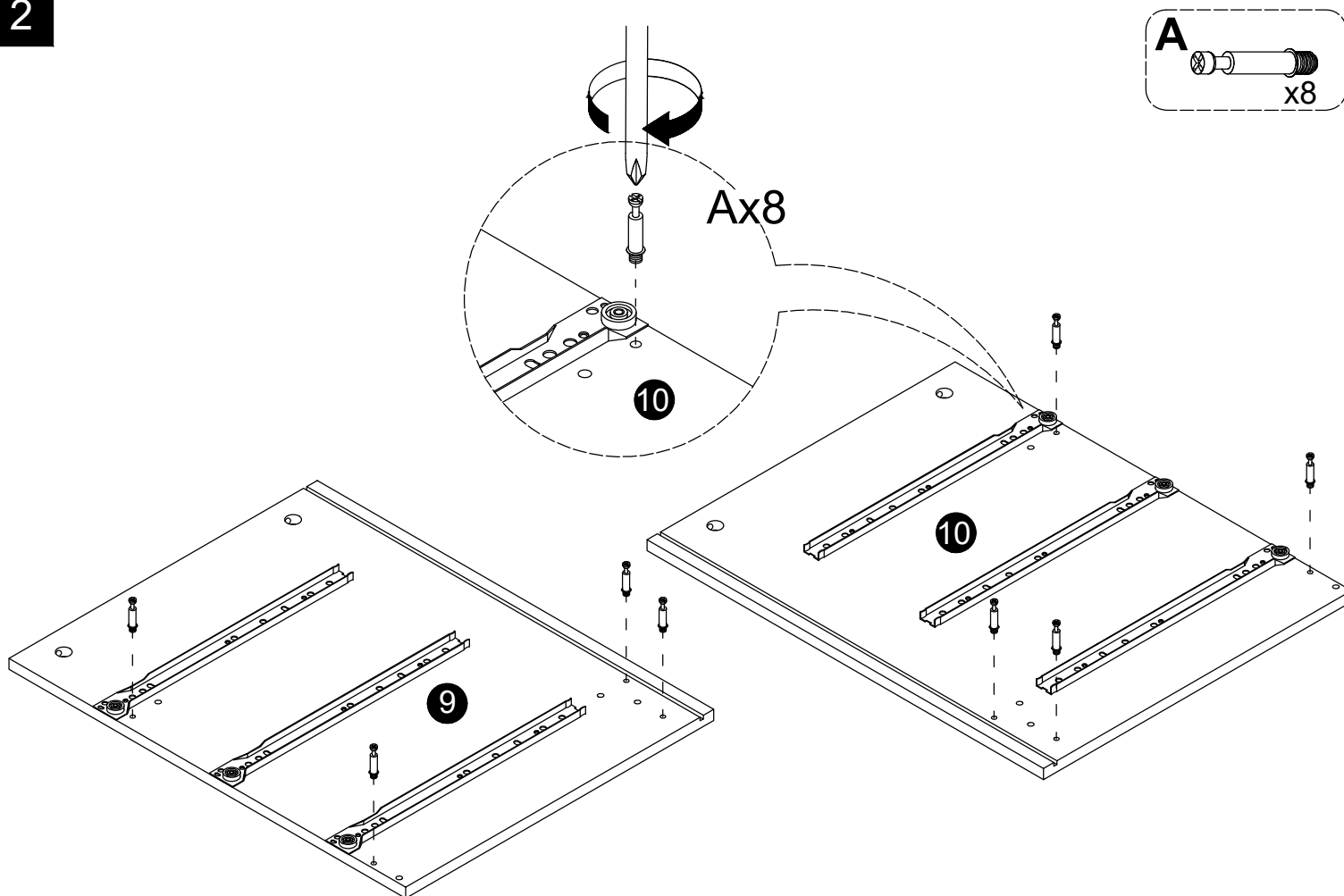
22  
x3



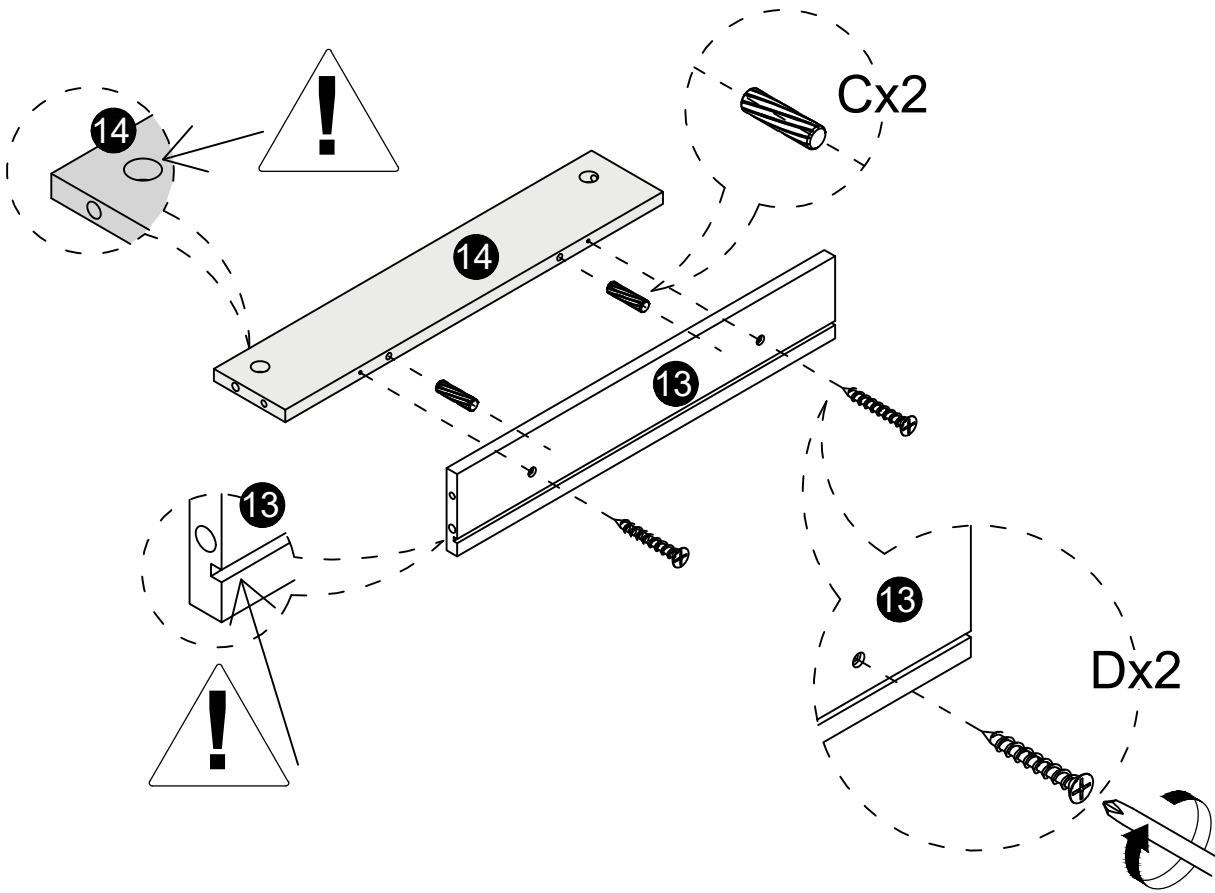
1



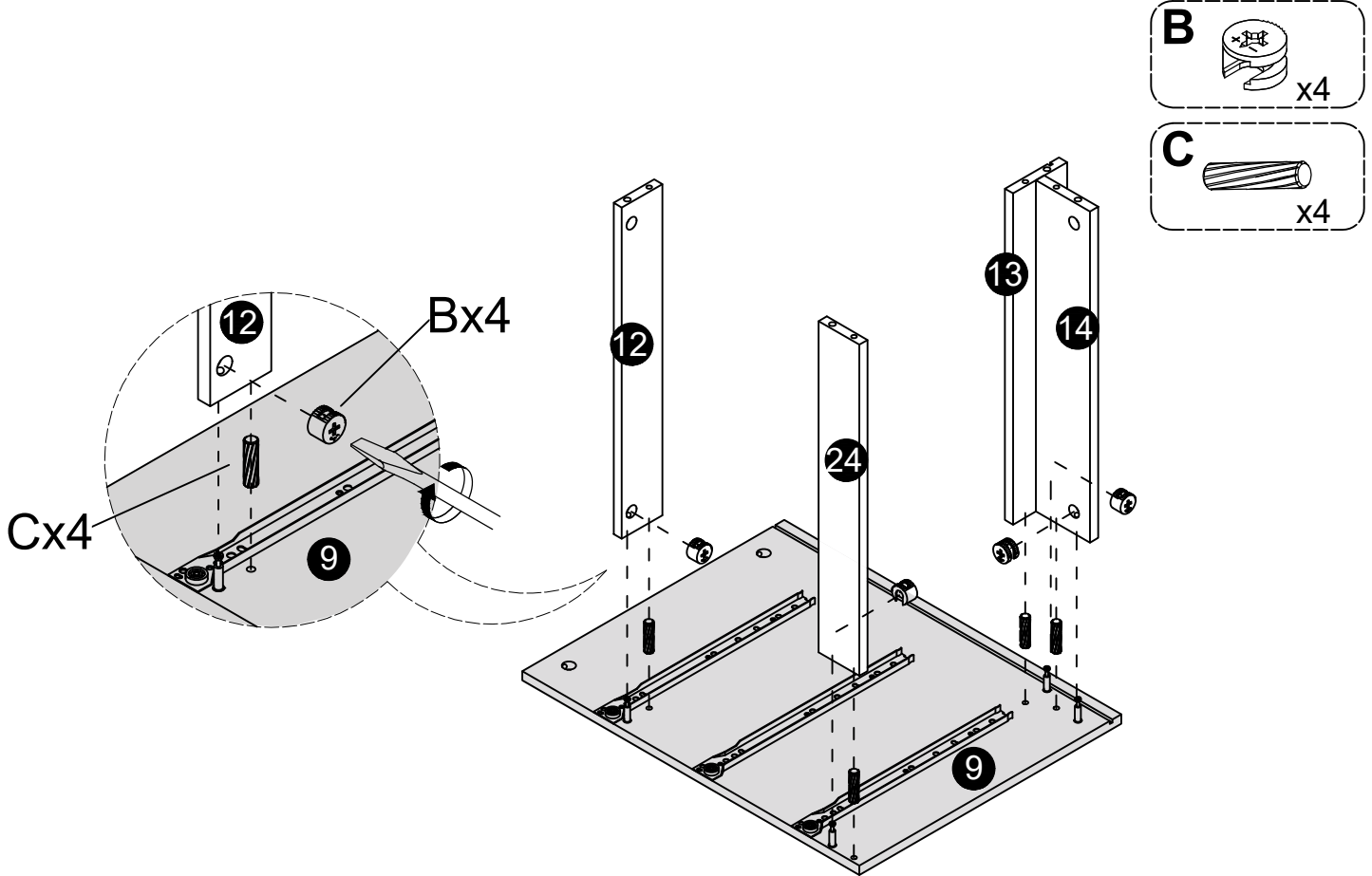
2



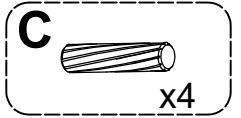
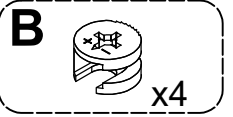
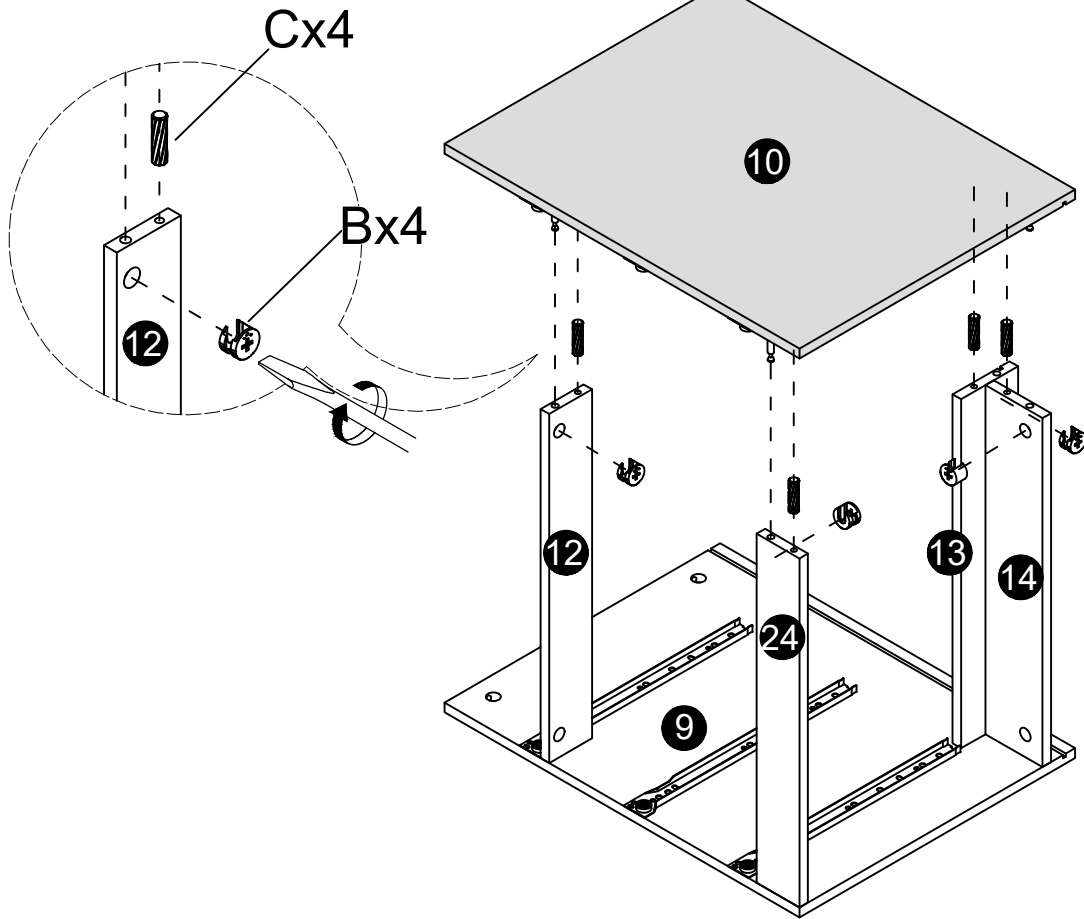
3



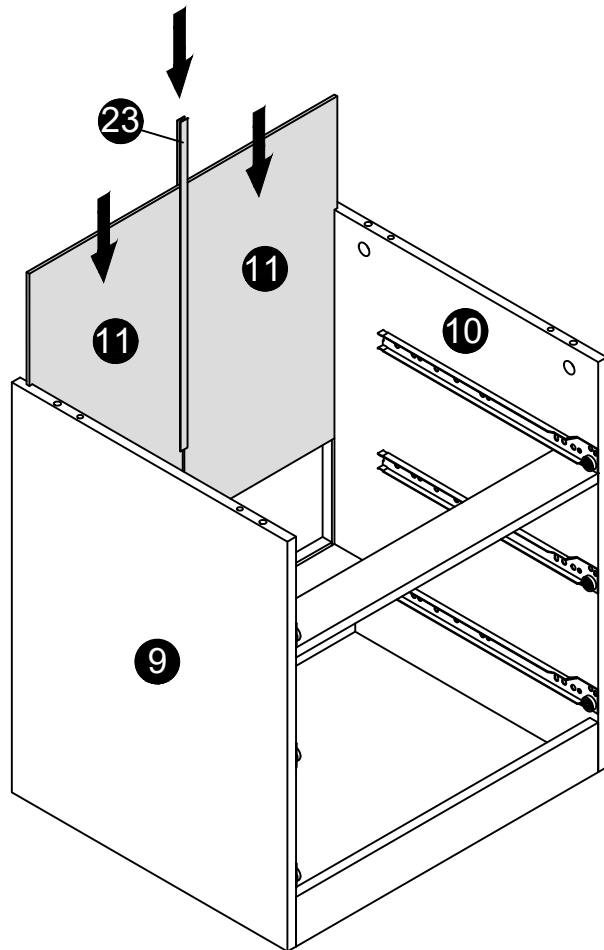
4

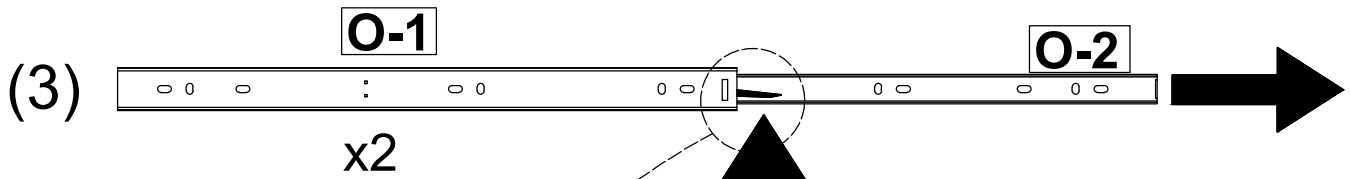
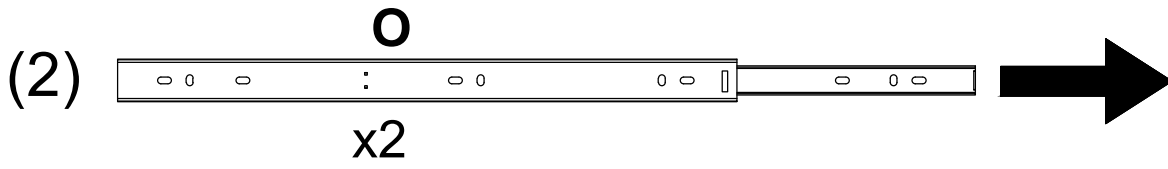
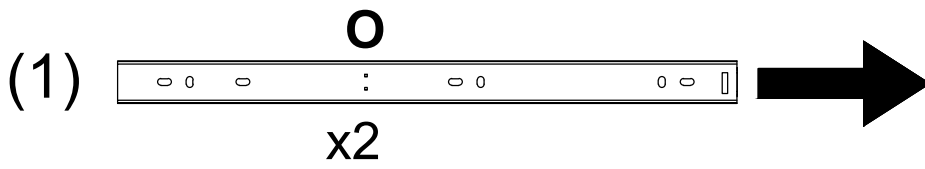
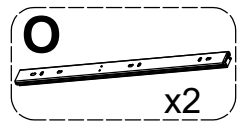


5

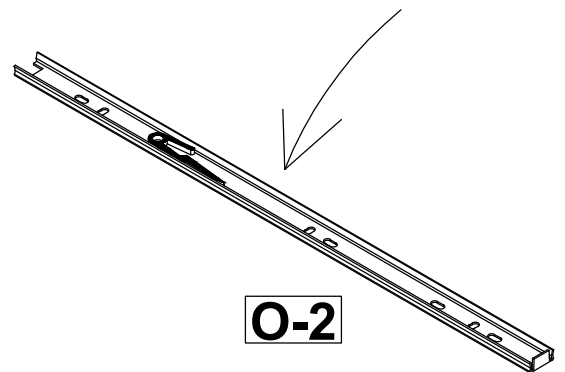
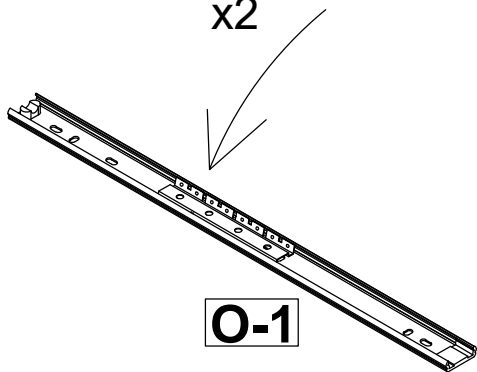
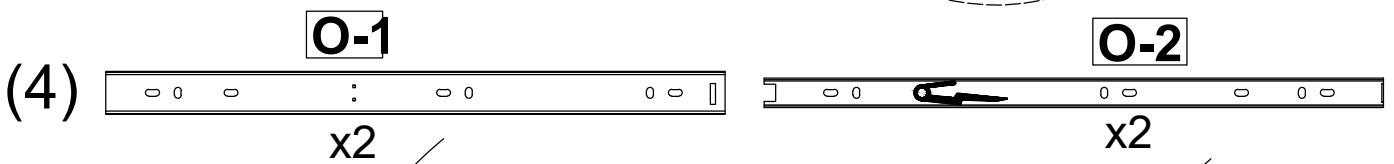
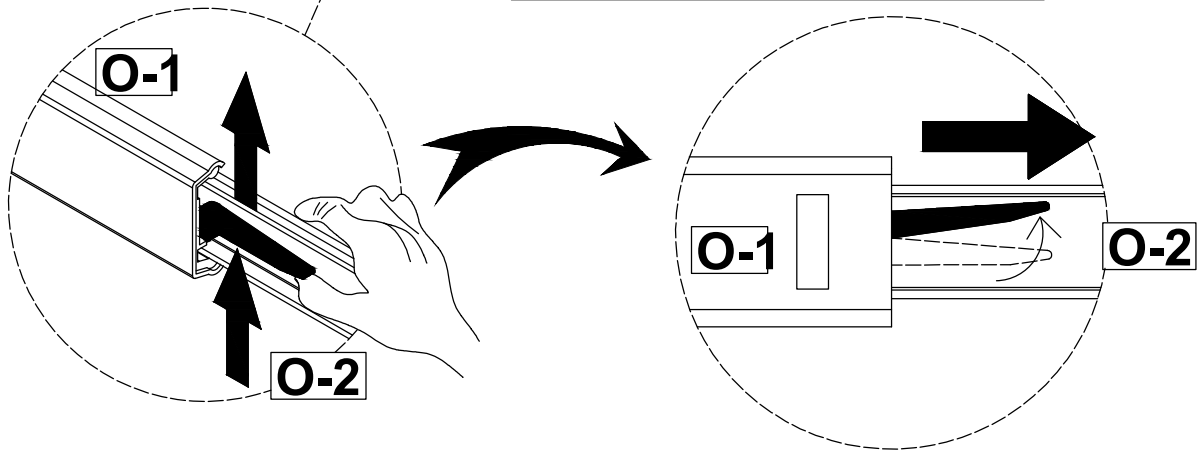


6

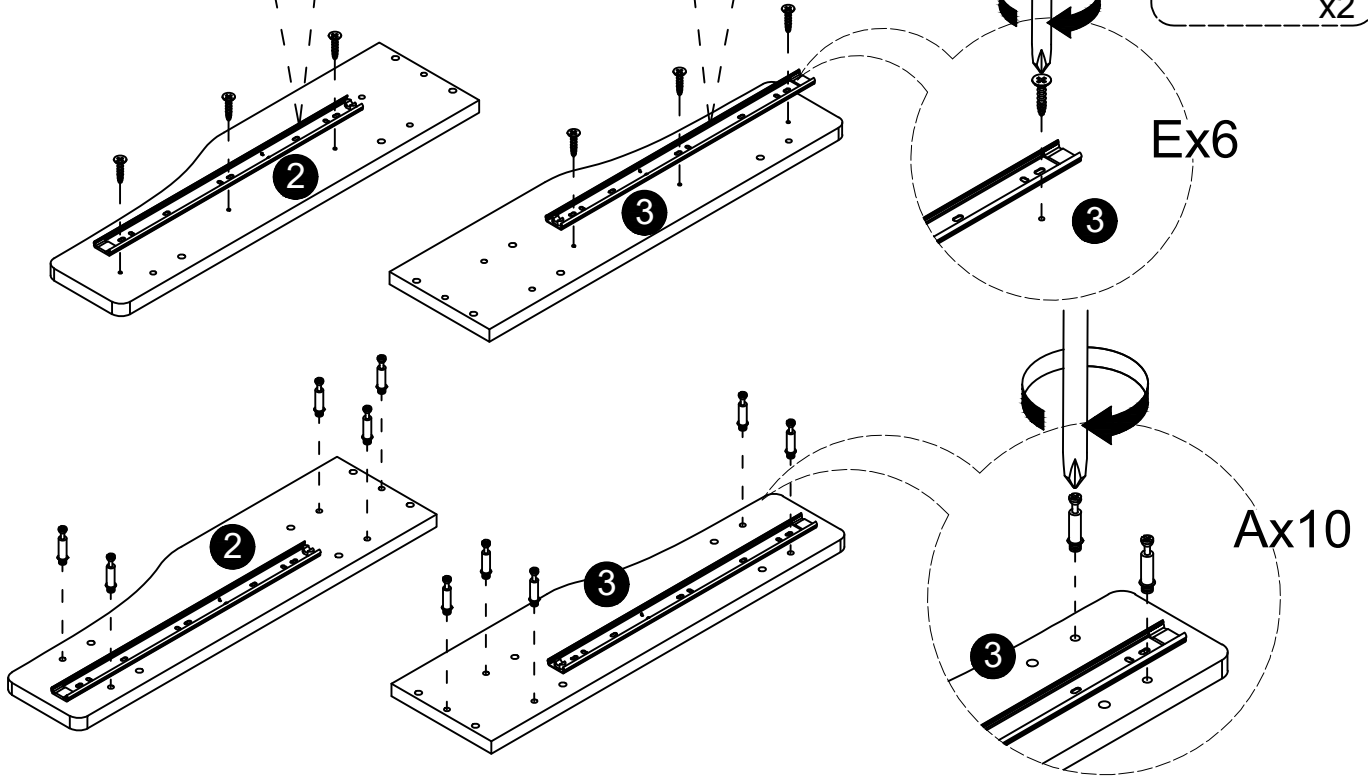
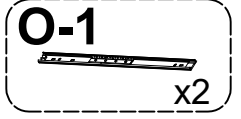
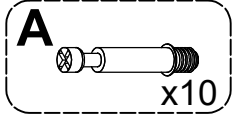
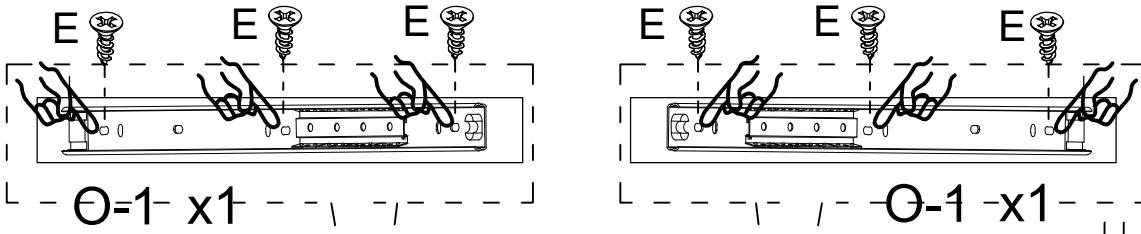




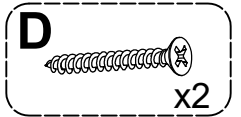
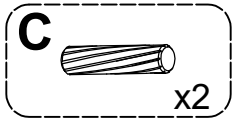
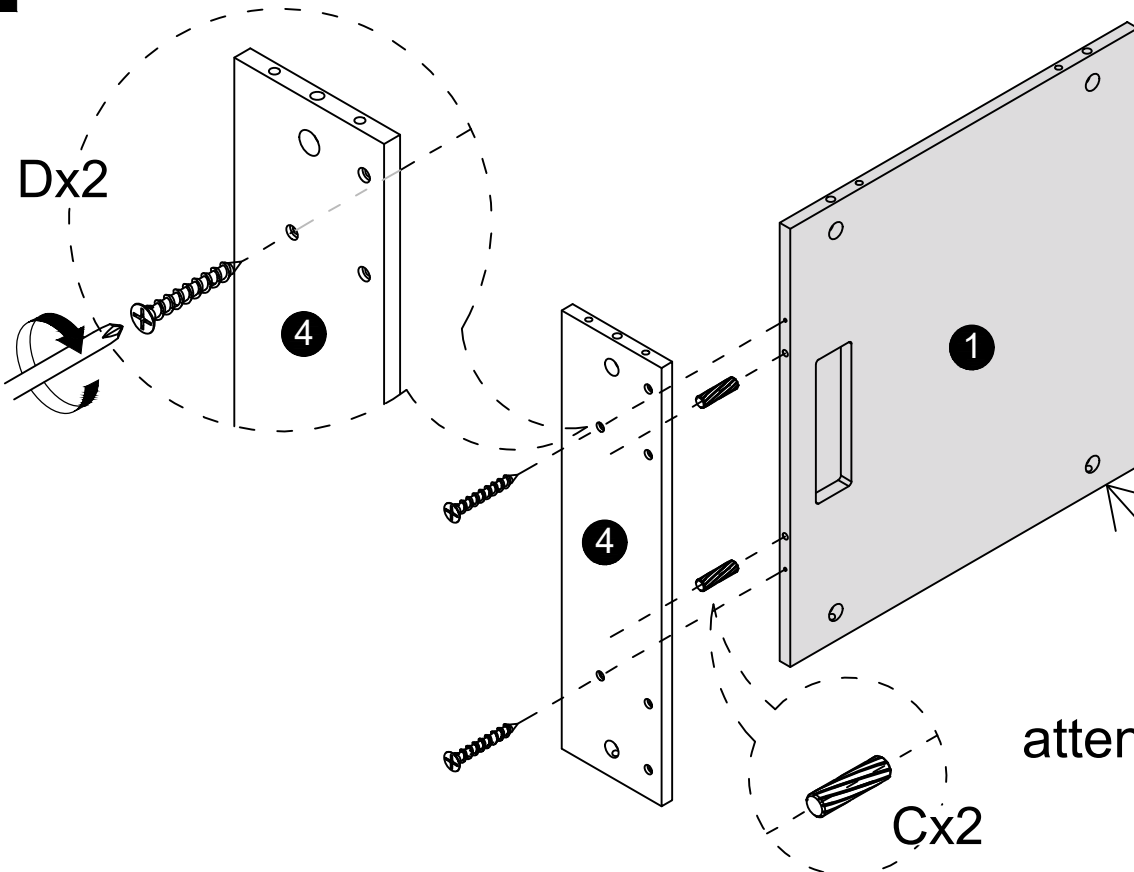
Move the black paddle upward and pull out (F-2) to the right.



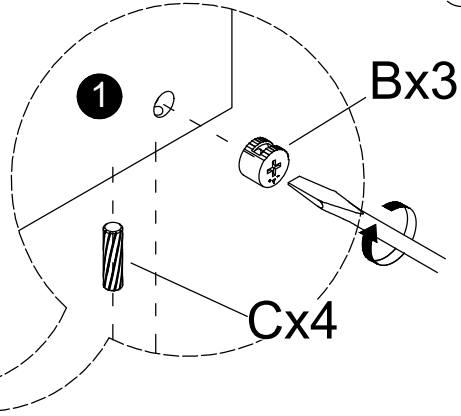
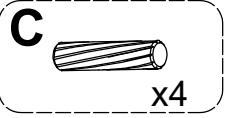
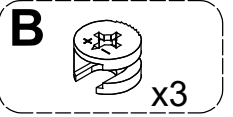
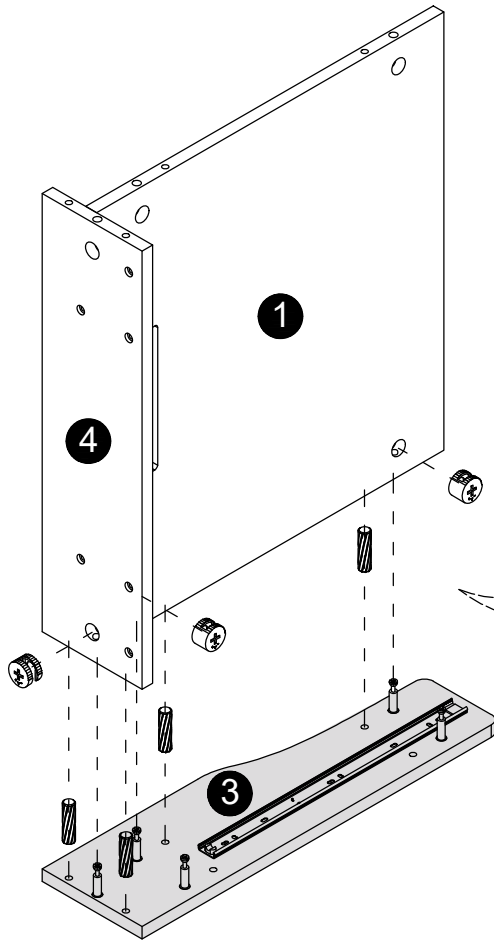
7



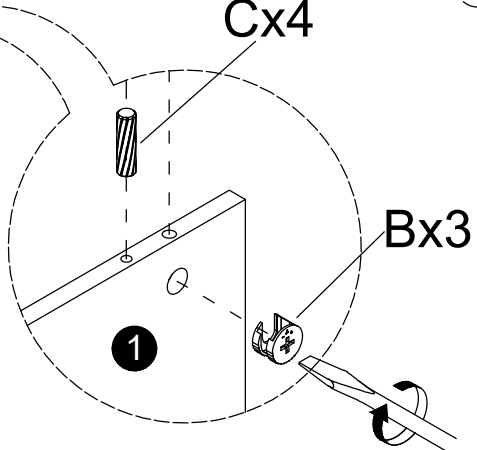
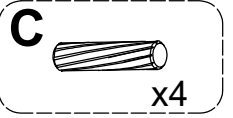
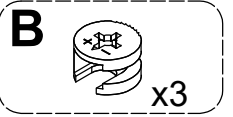
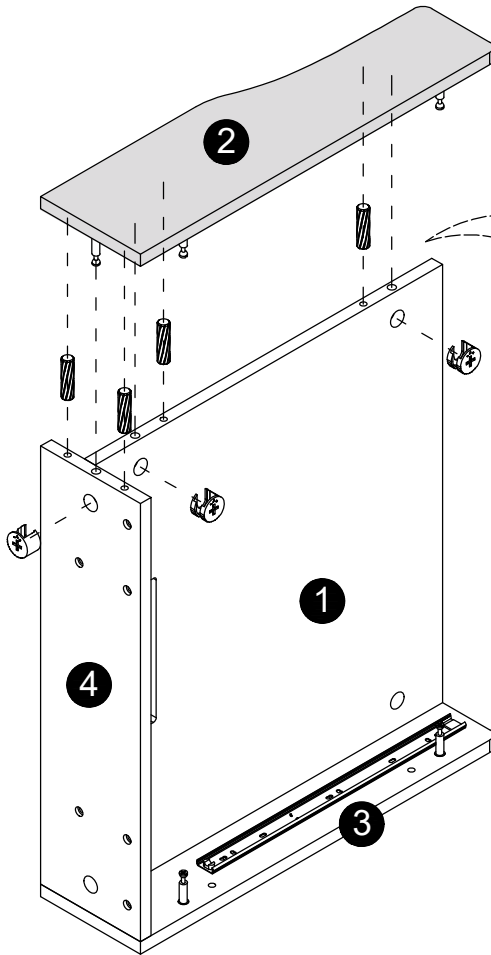
8


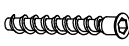



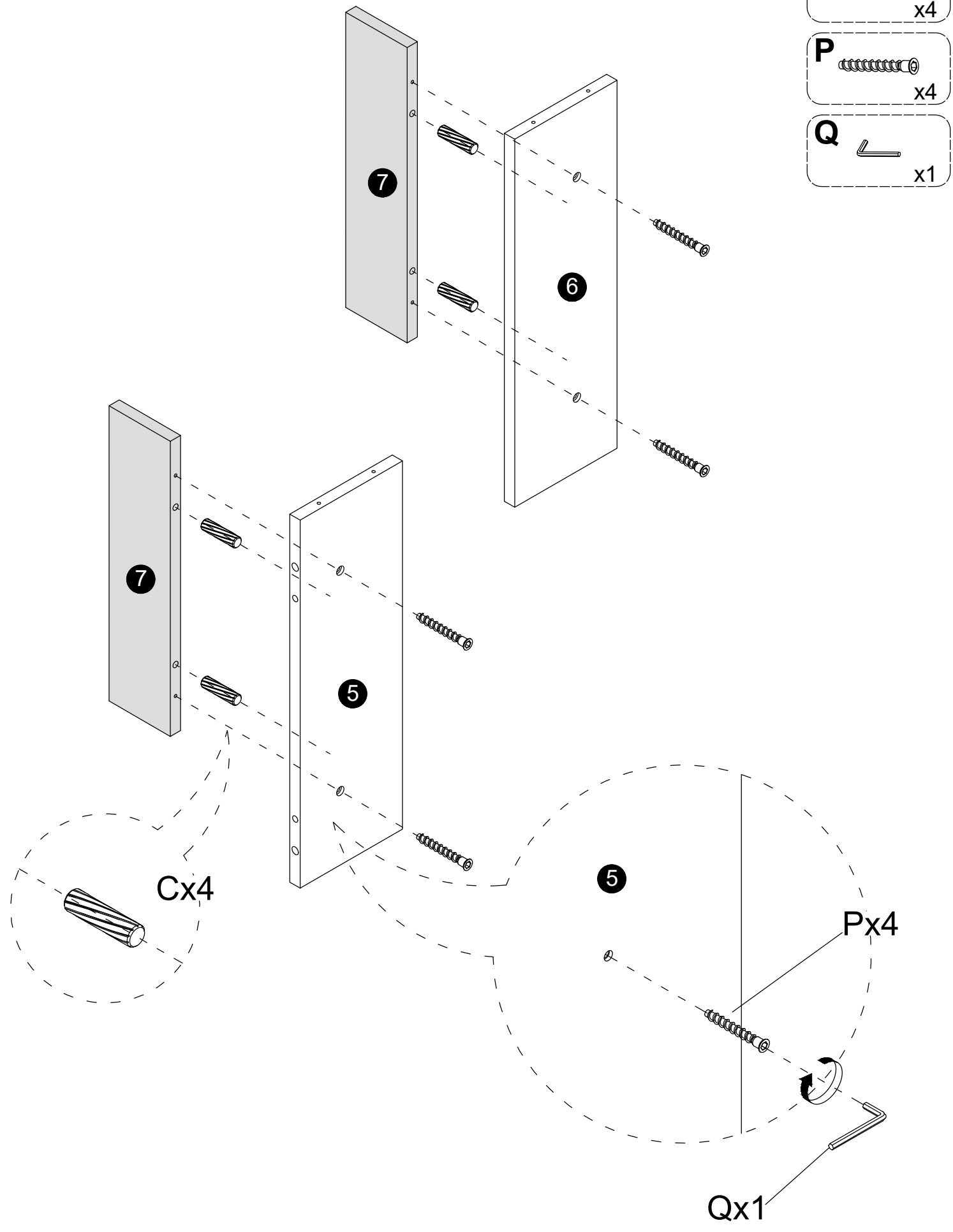
9






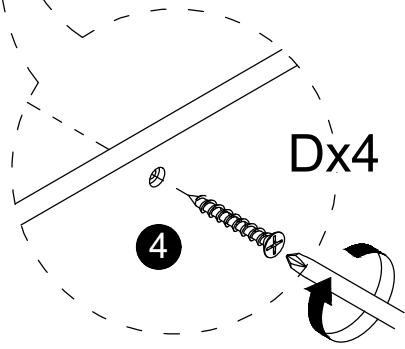
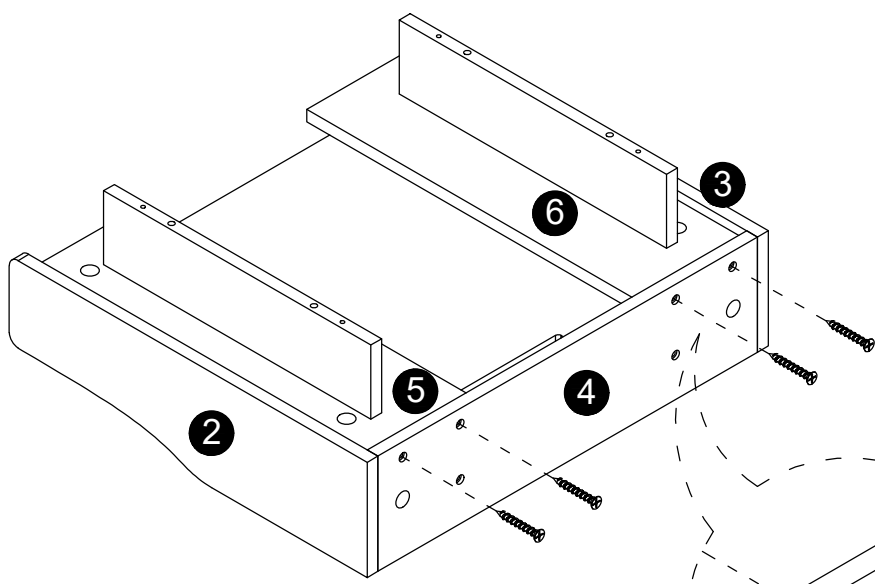
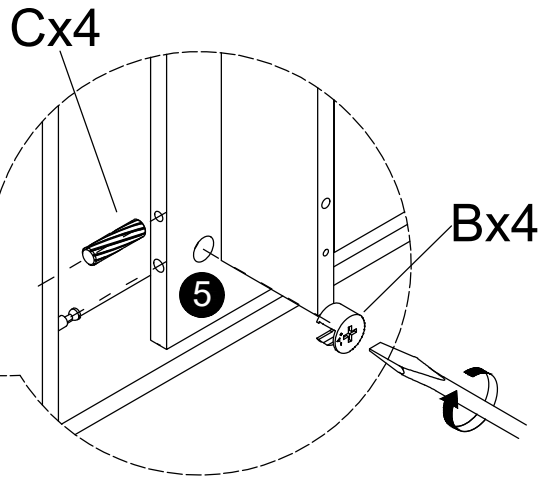
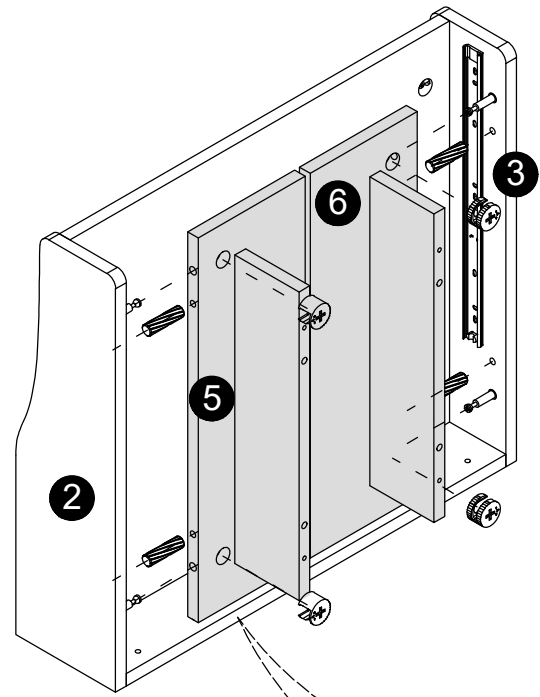
10





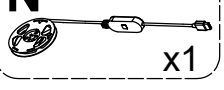
- C**  x4
- P**  x4
- Q**  x1

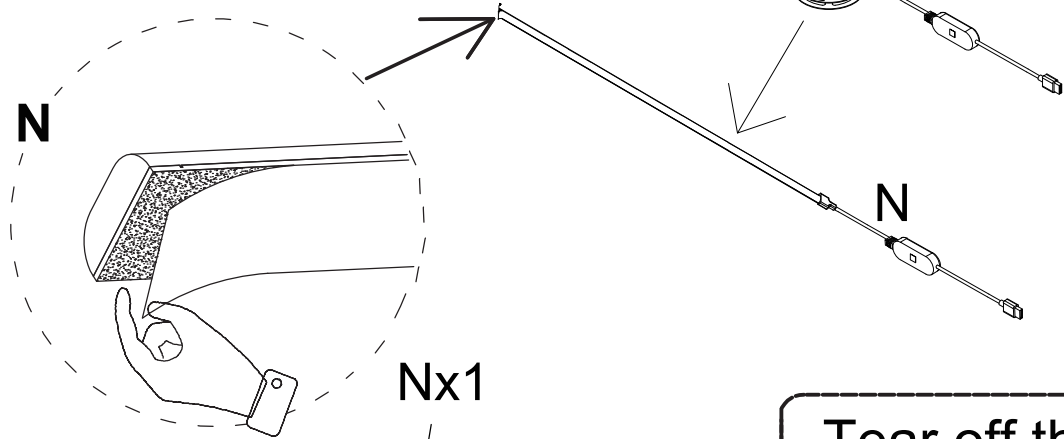


- B**  x4
- C**  x4
- D**  x4

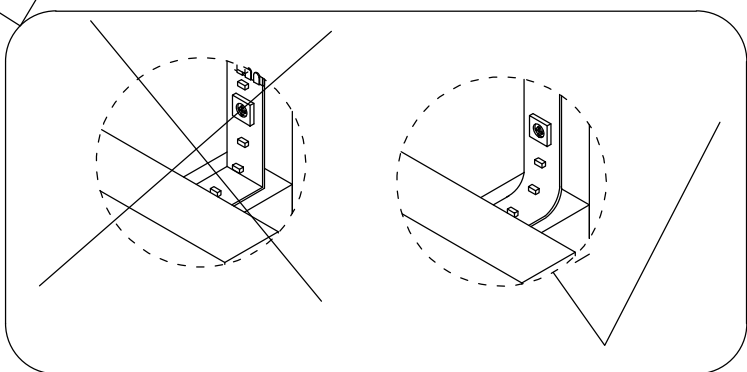
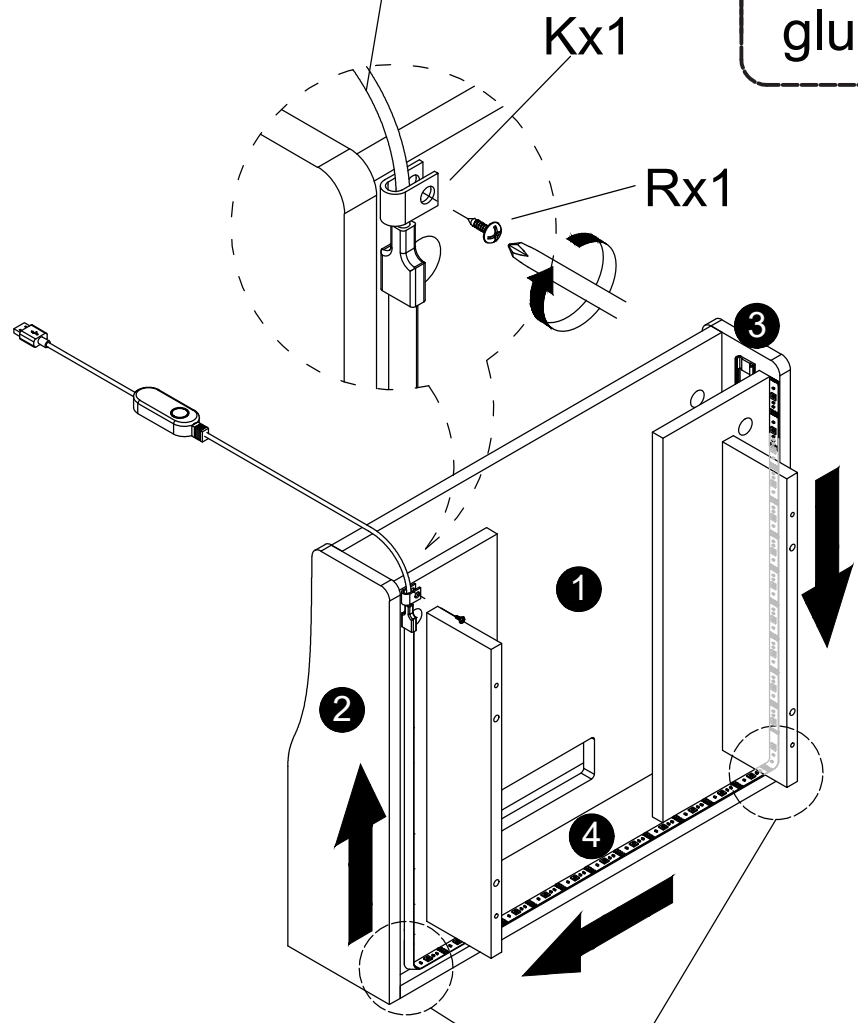


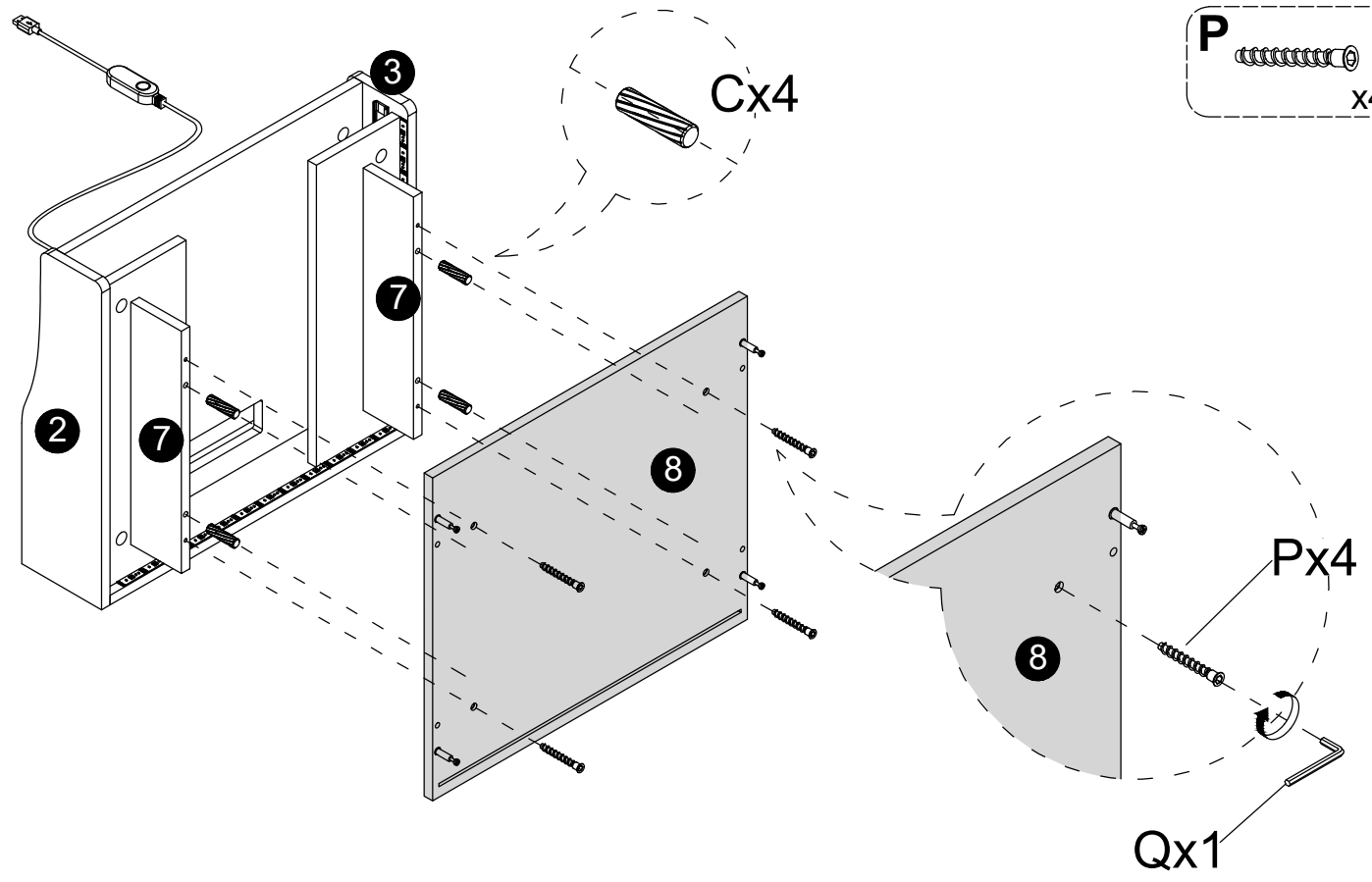
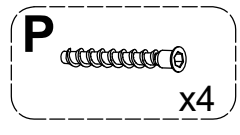
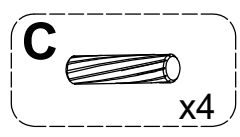
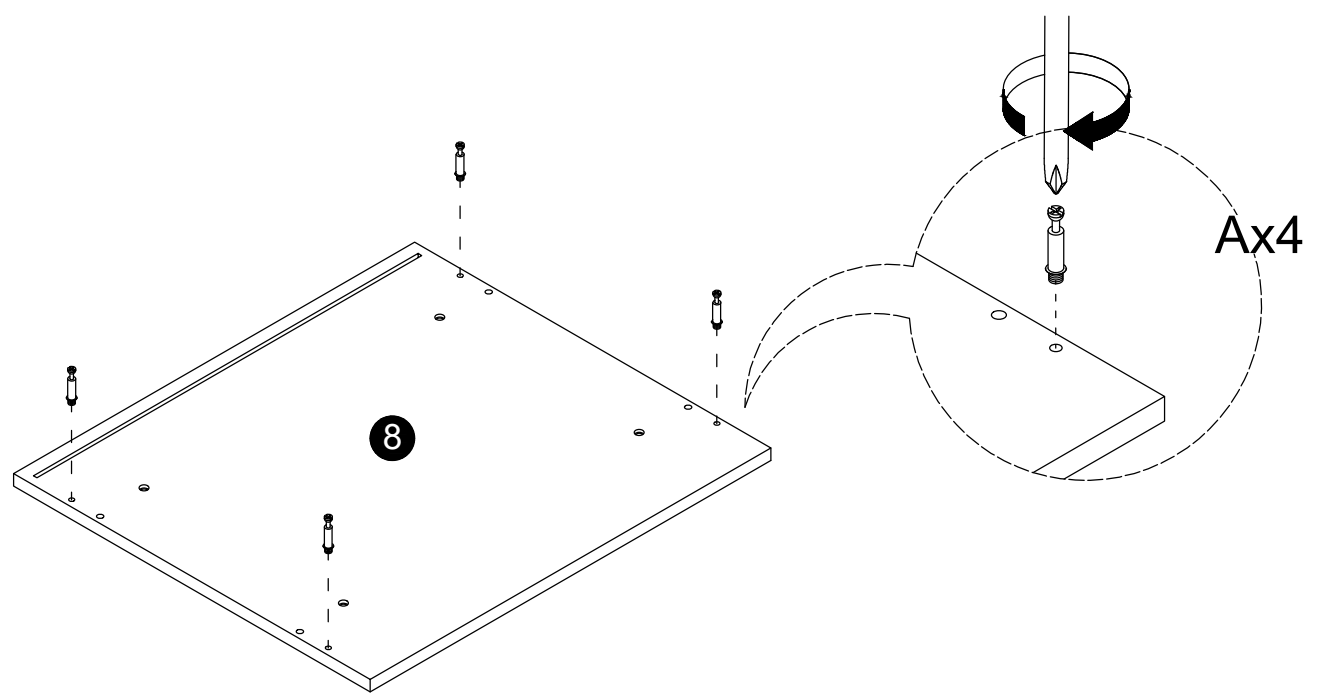
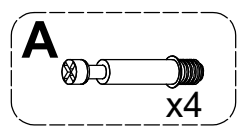
# Pull out the light strip



- R**  x1
- K**  x1
- N**  x1

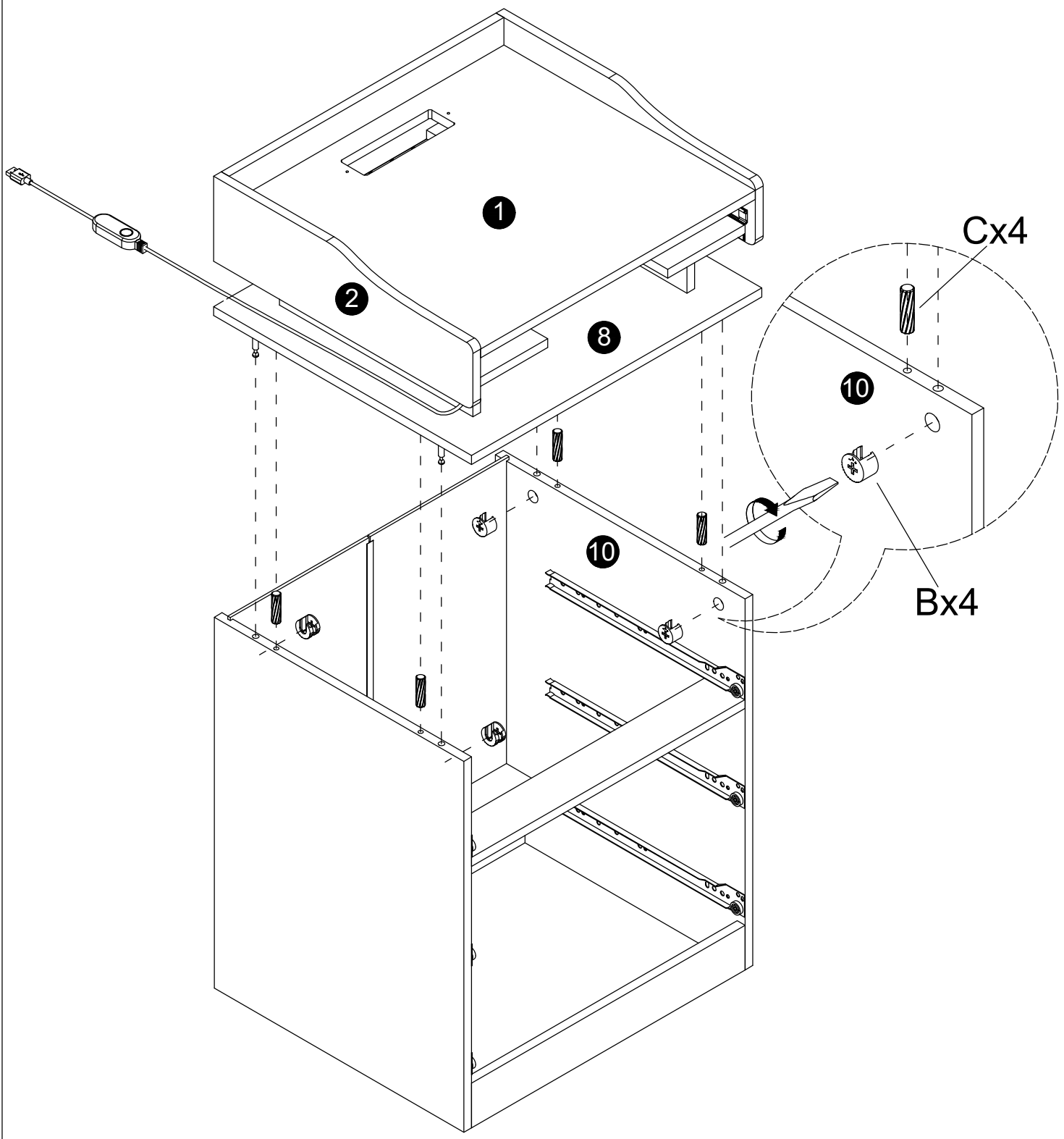





Tear off the back glue of the light strip

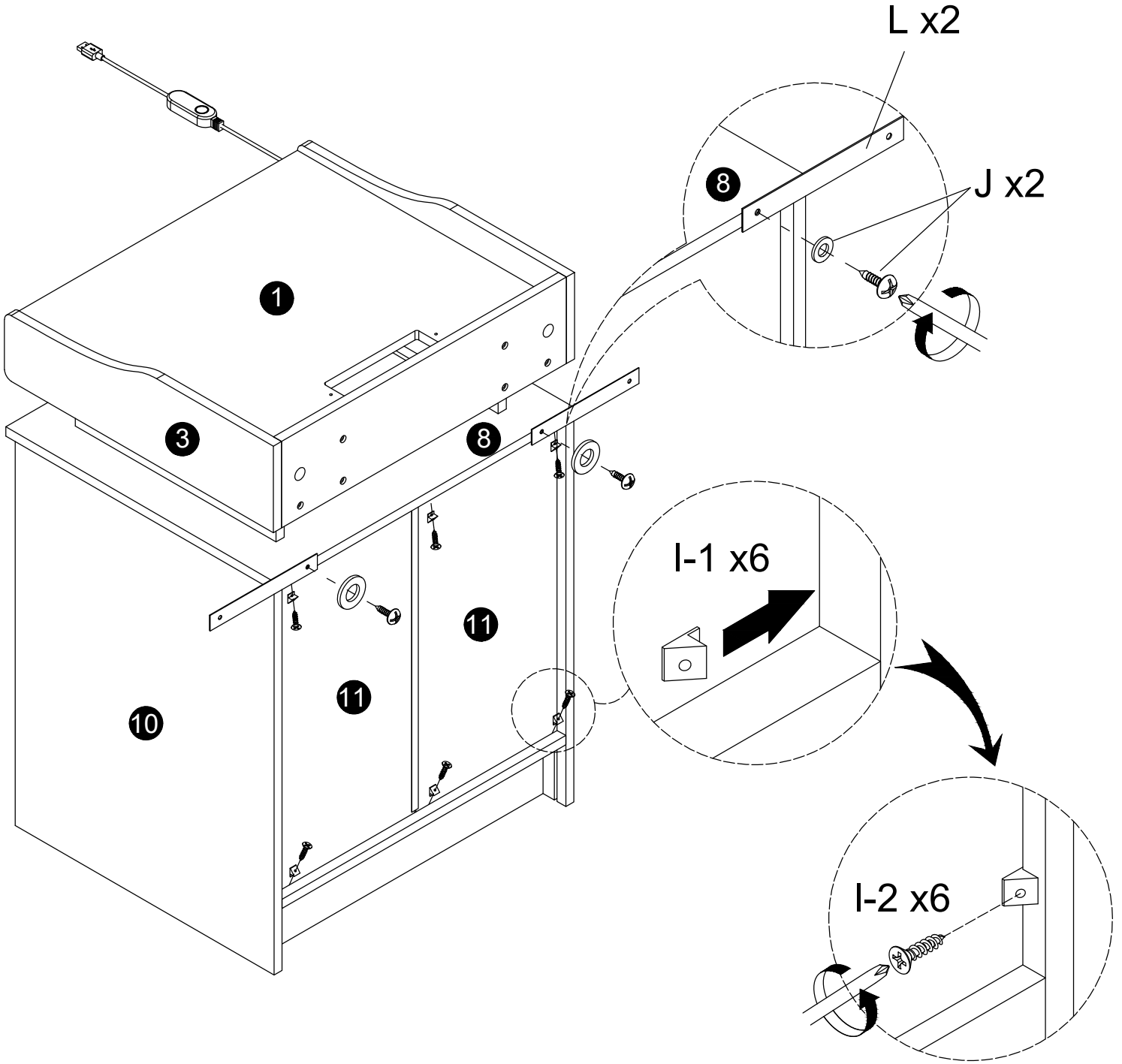




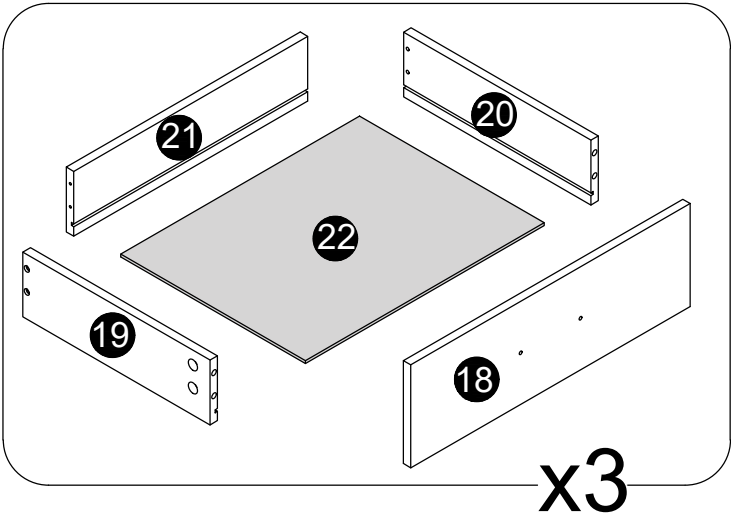
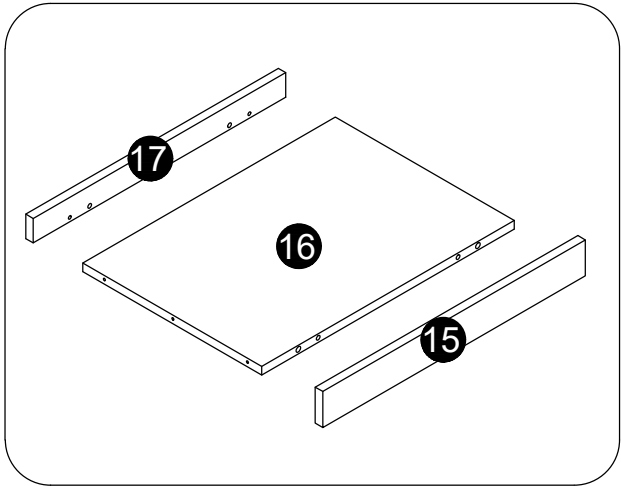
- B**  x4
- C**  x4



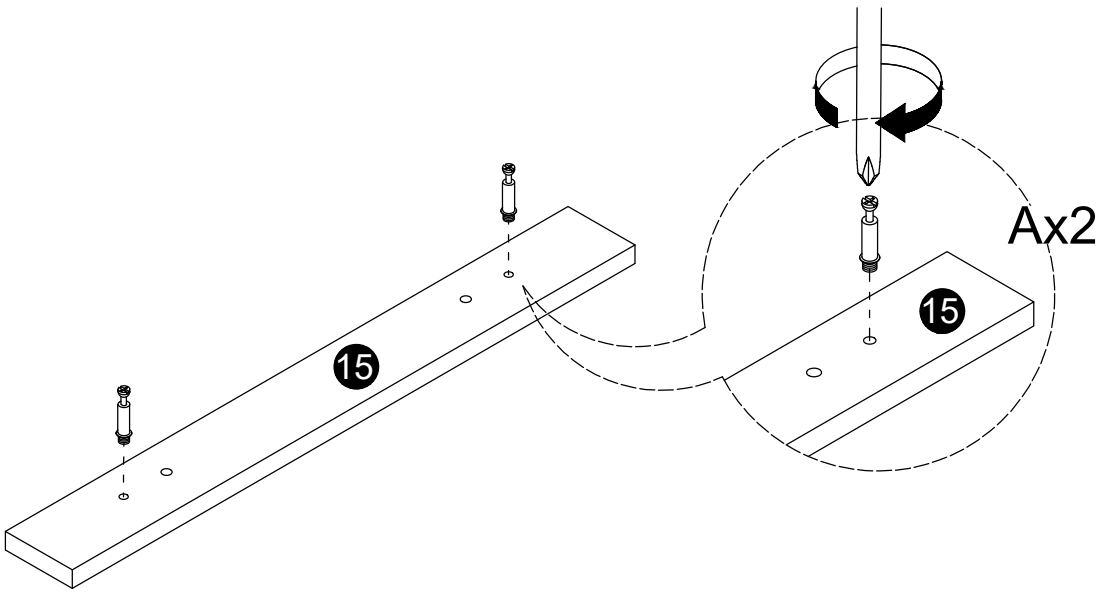
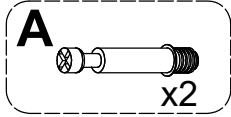
- I-1 I-2  
 x6
- J  
 x2
- L  
 x2

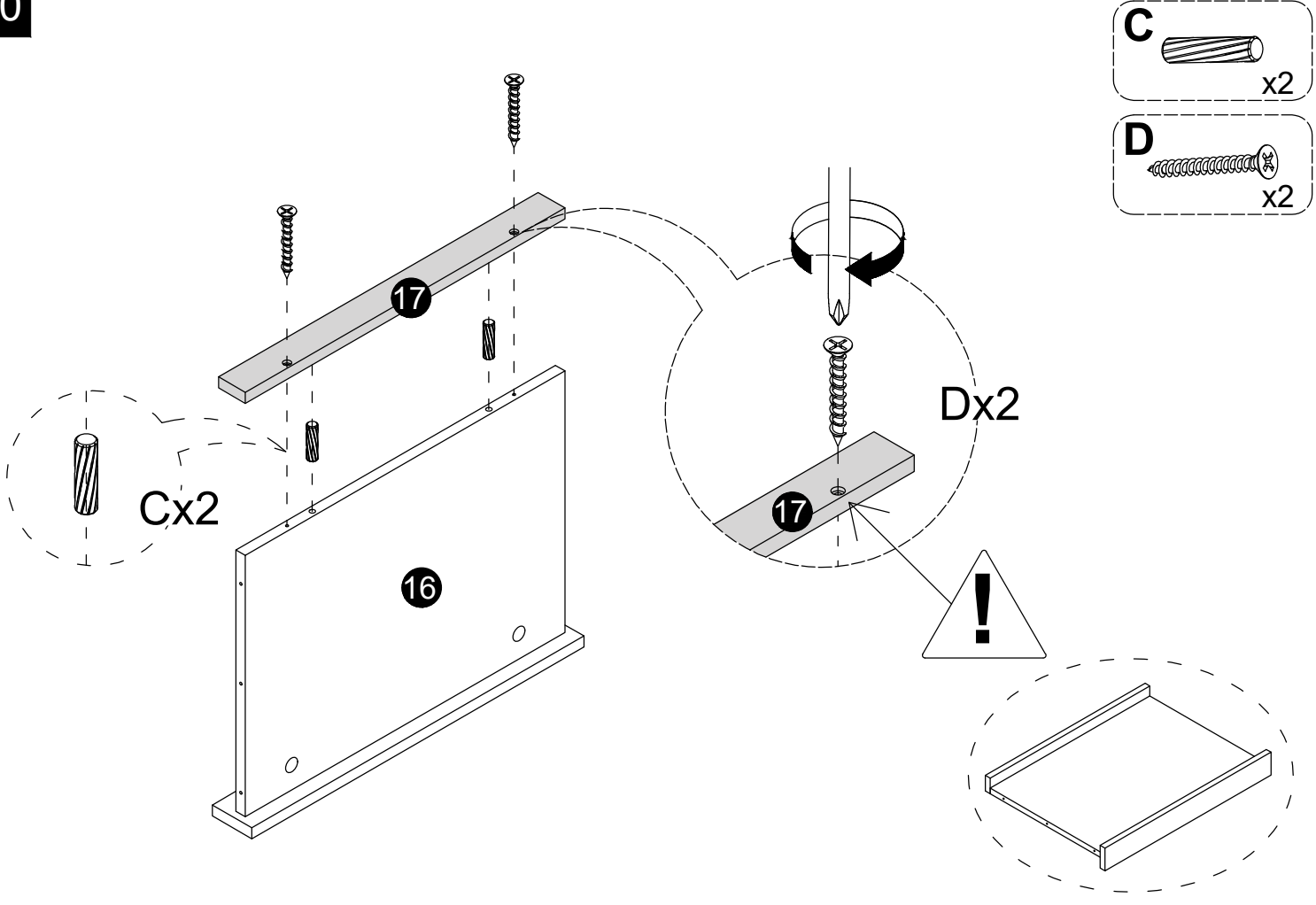
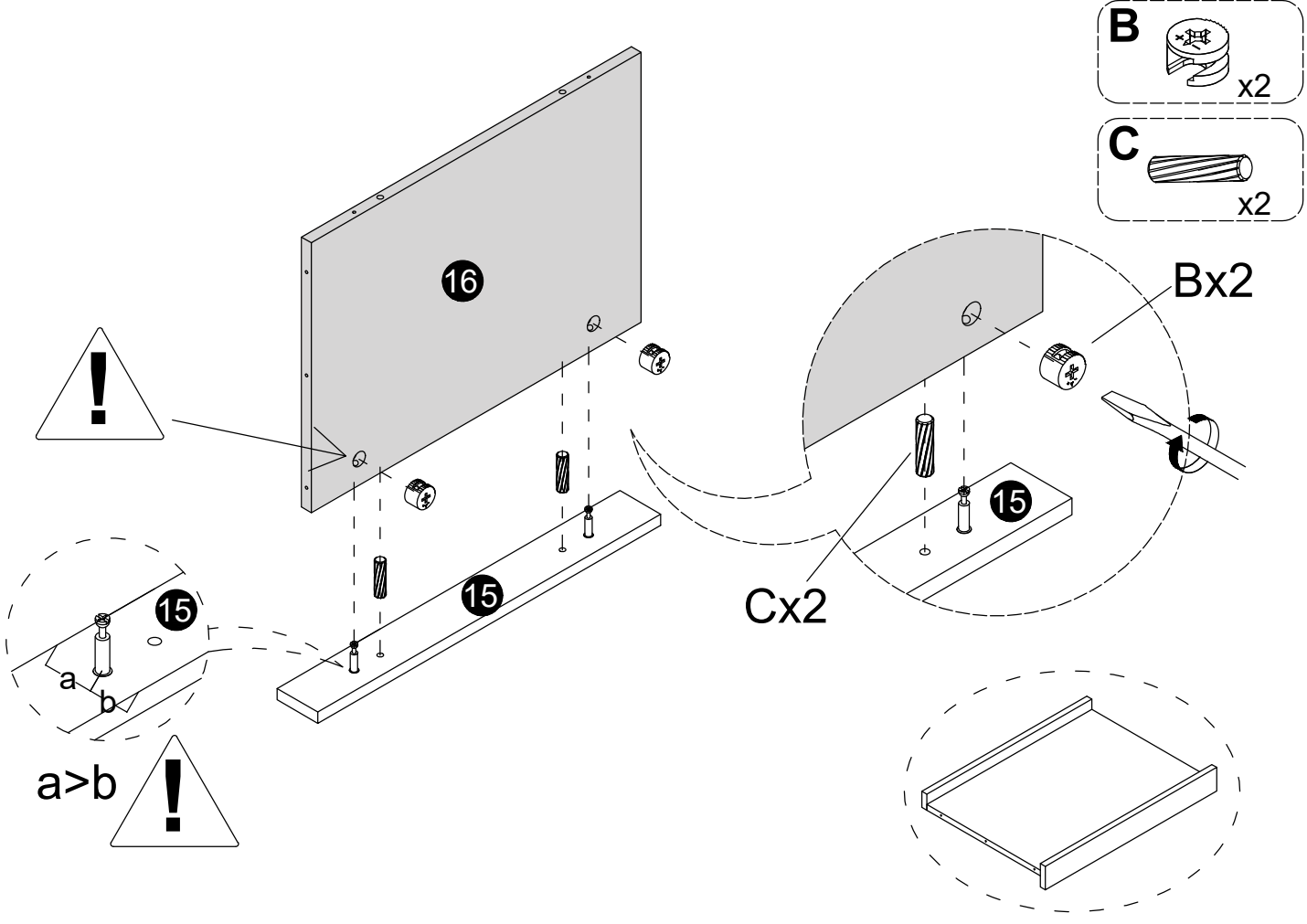


Rest a while, installing drawers next is a repetitive task Drawer installation.

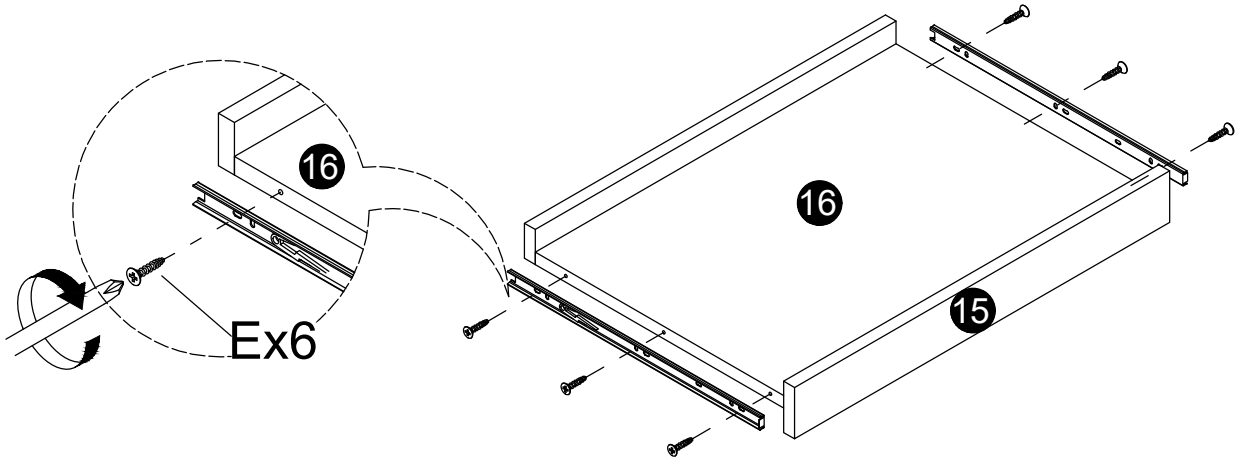
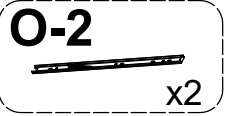
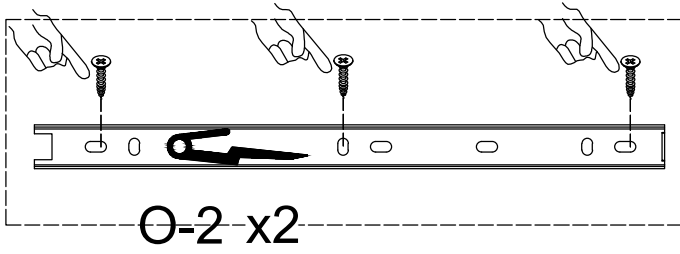


18

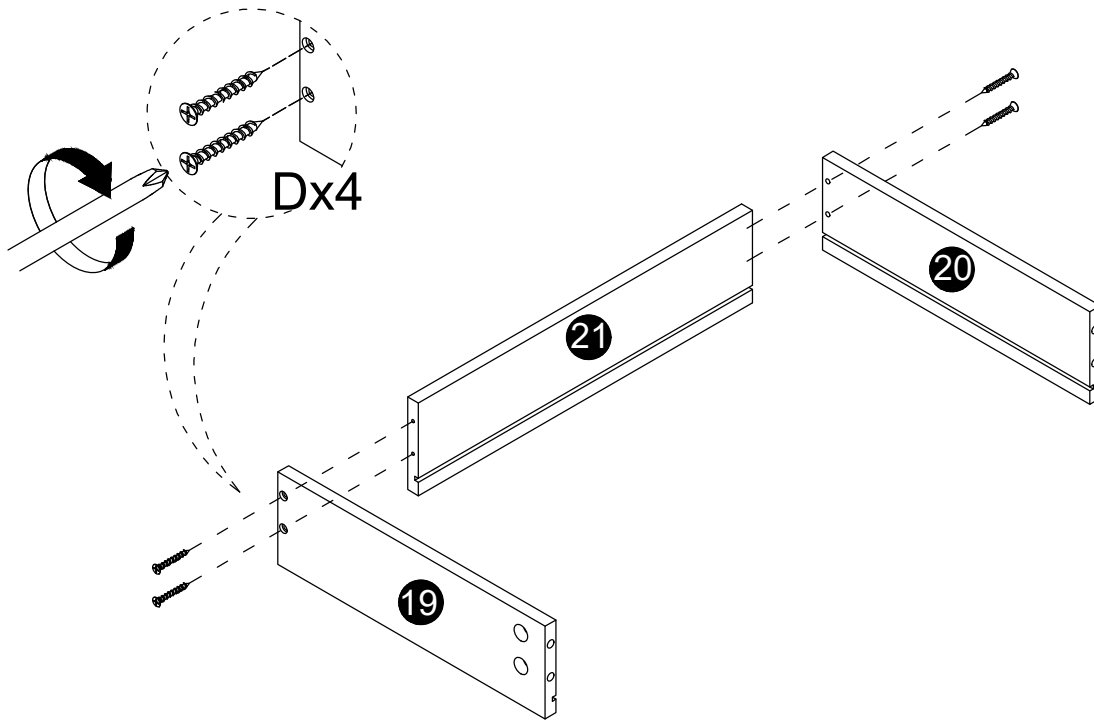
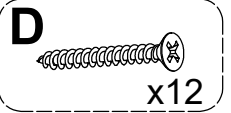




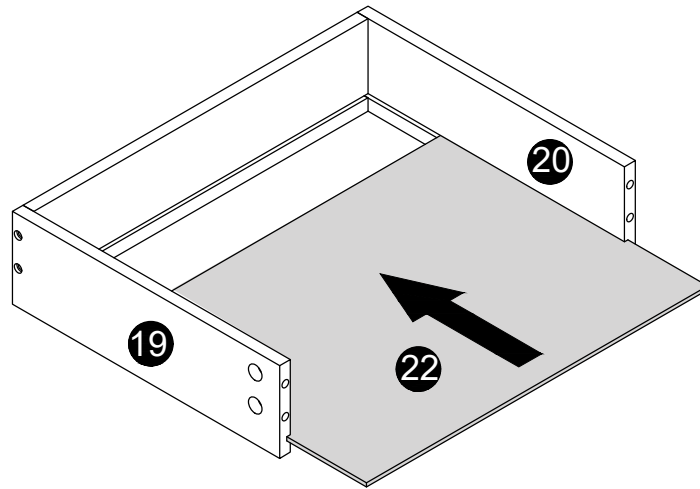
21



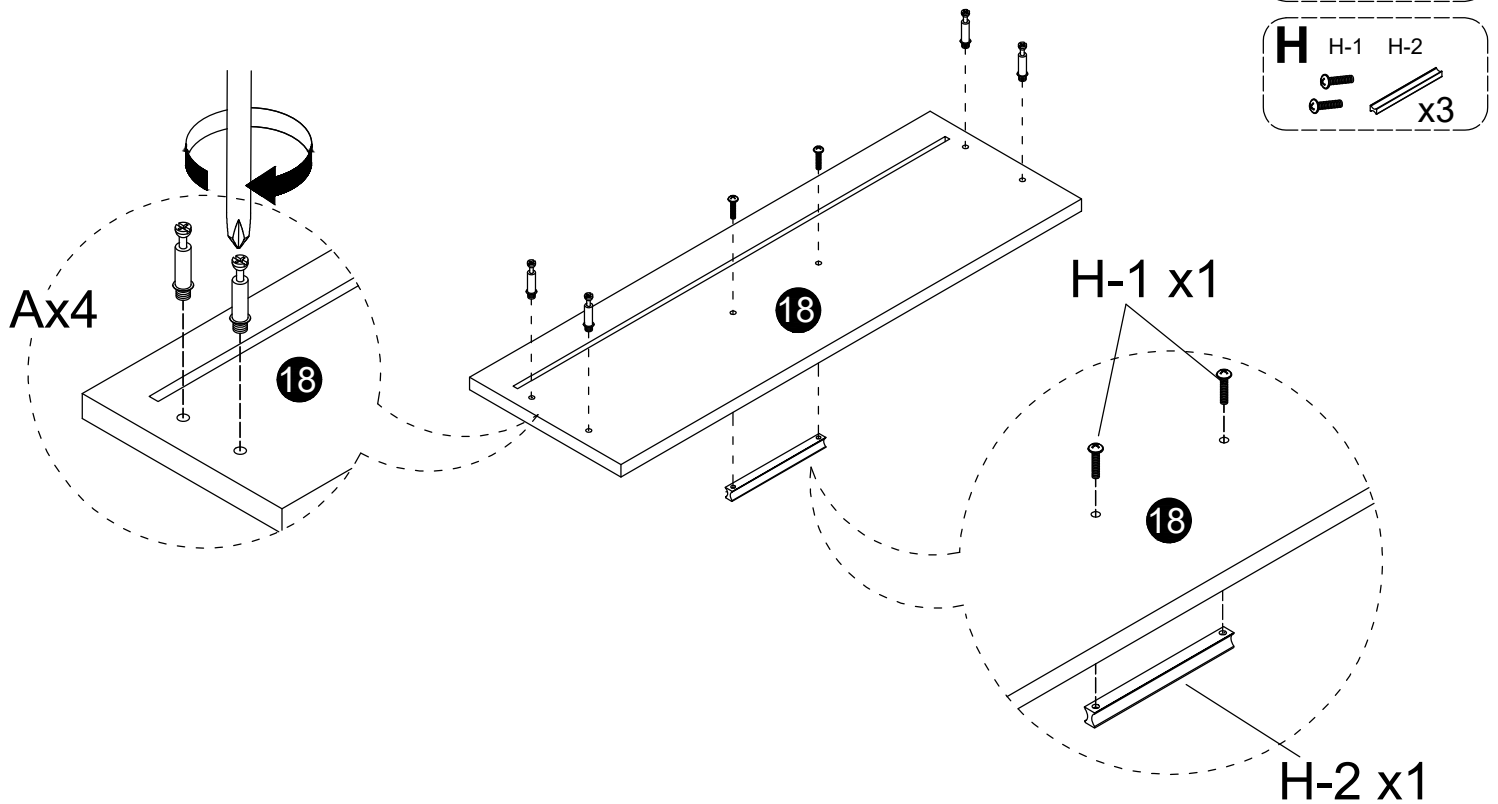
22 X3



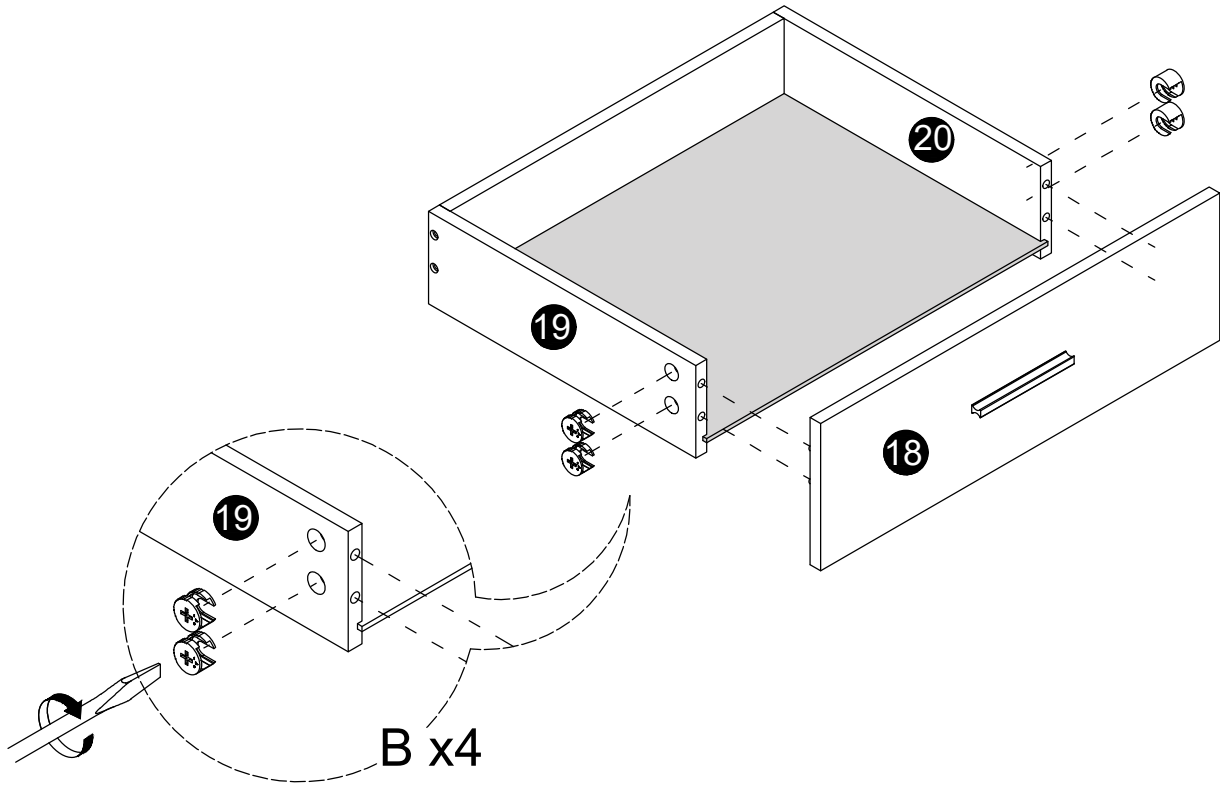
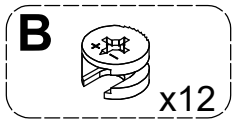
**23 X3**



**24 X3**



25 X3



26 X3

