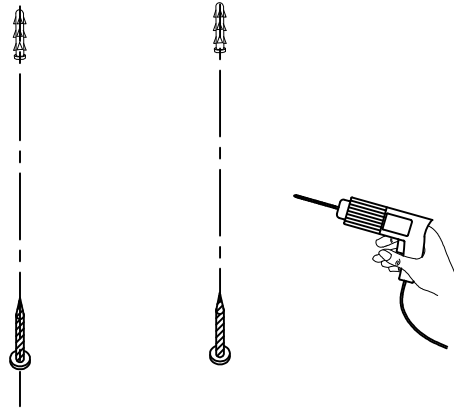


# Installation manual of lamps

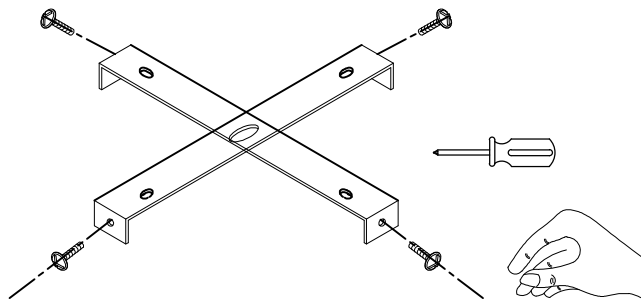
Model

Size  $\phi 500 * H230mm$

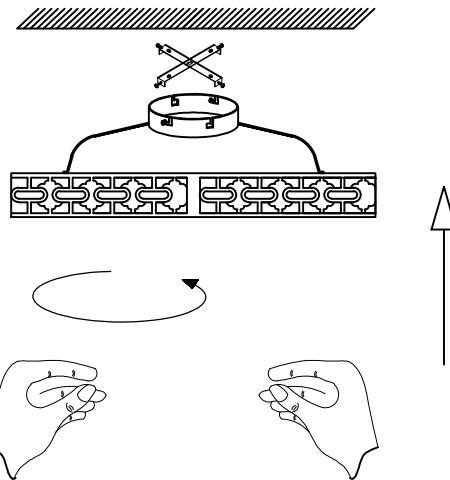
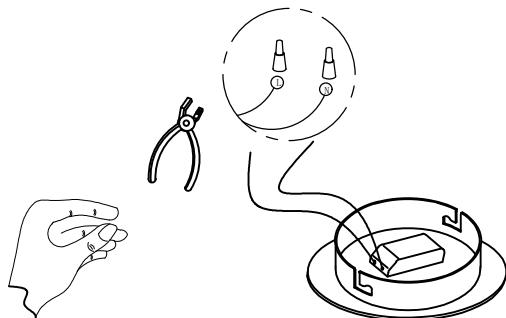
NO:1



NO:2



NO:3



## Installation Precautions

- 1: This lamp is suitable for 100-120V, power supply, 60HZ
- 2: Please wear gloves during installation to avoid scratches on the surface of lamps and wires.
- 3: Do not install on wet ceiling, the environment should be ventilated and dry
- 4: Lamps shall not be close to acid, alkali or corrosive chemicals and gases. Do not wash with water, only wipe with a clean soft cloth.
- 5: It shall be installed by a professional electrician. See < assembly schematic diagram > for each part to be installed in order And install acrylic lampshade, etc
- 6: When cleaning lamps, the power should be cut off

Lighting renderings:

