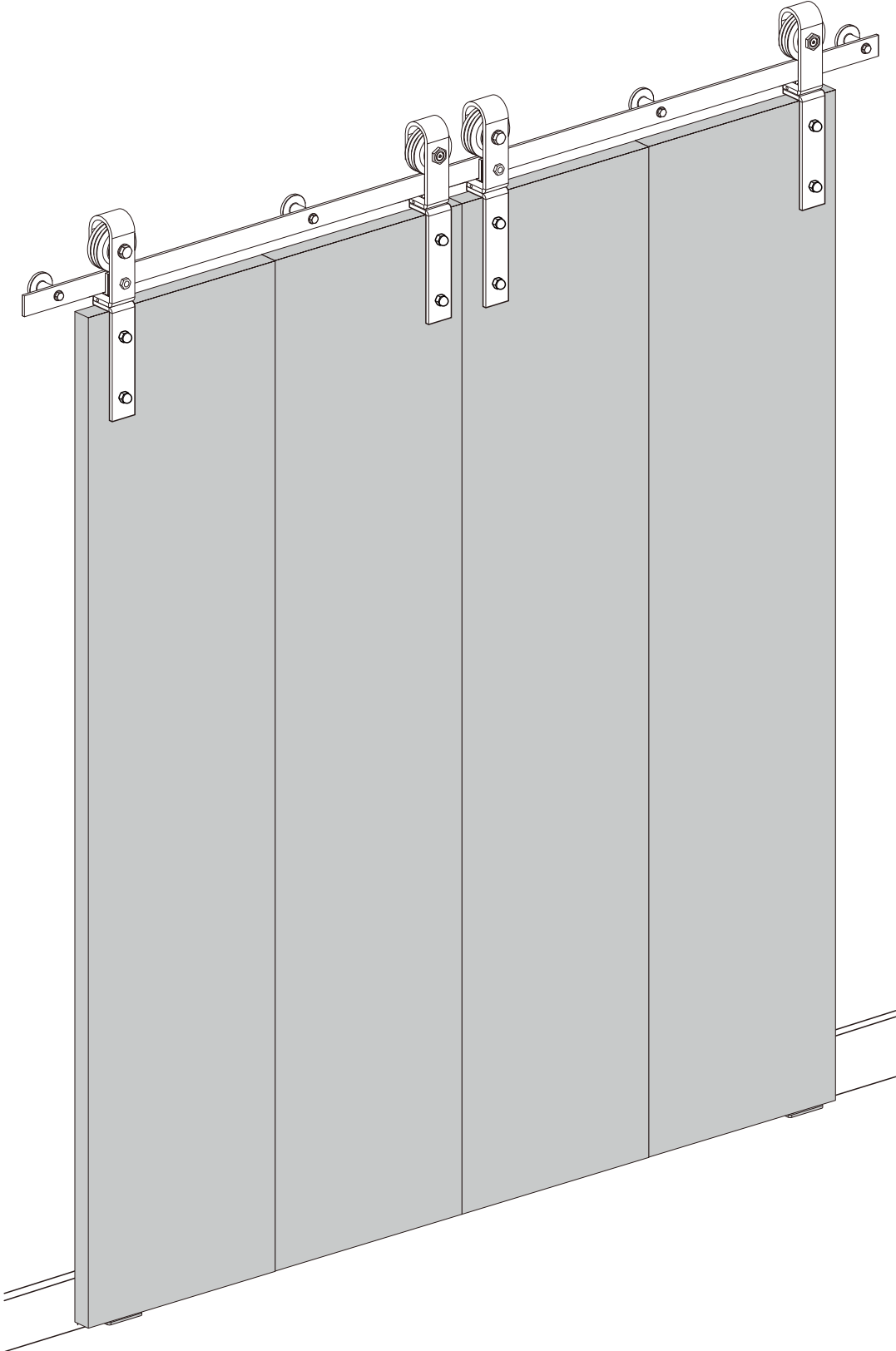
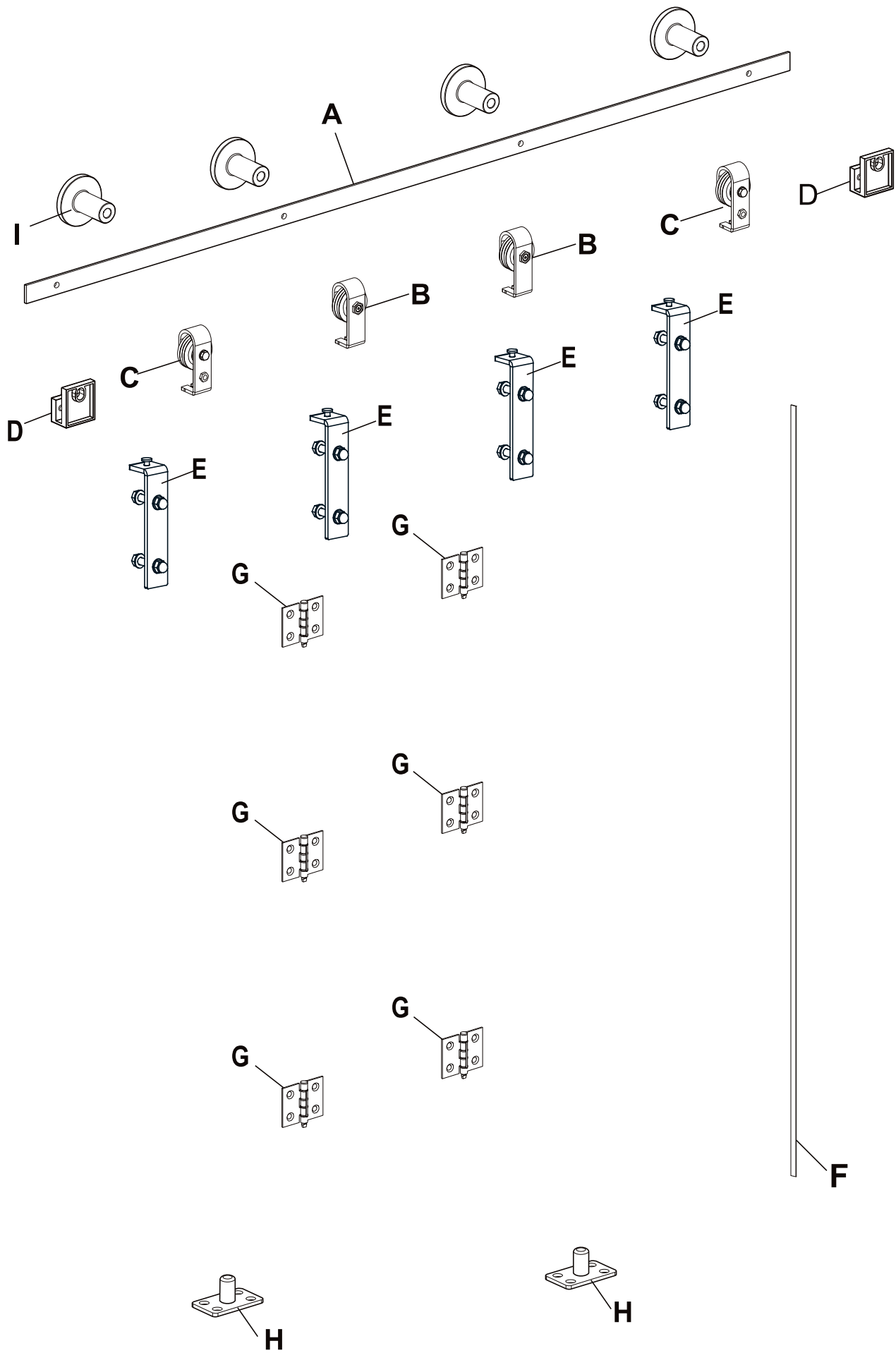


Installation Manual

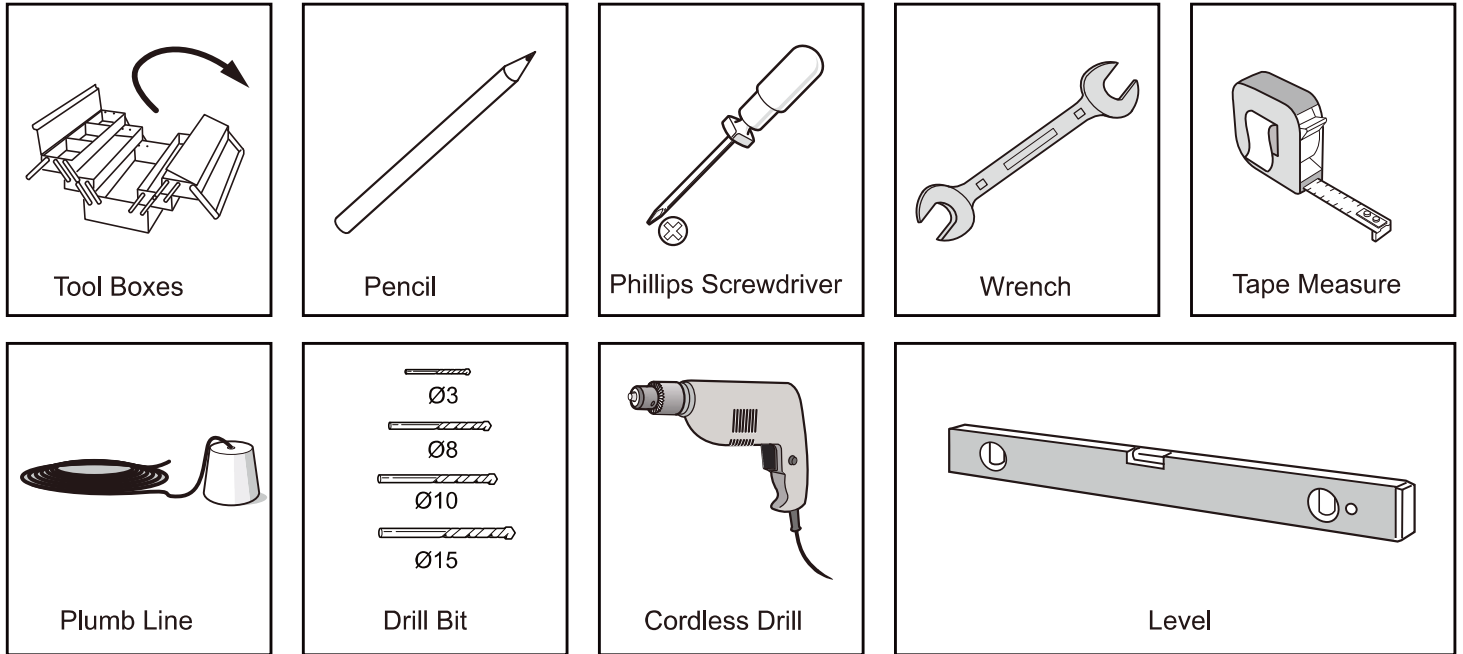


Components list

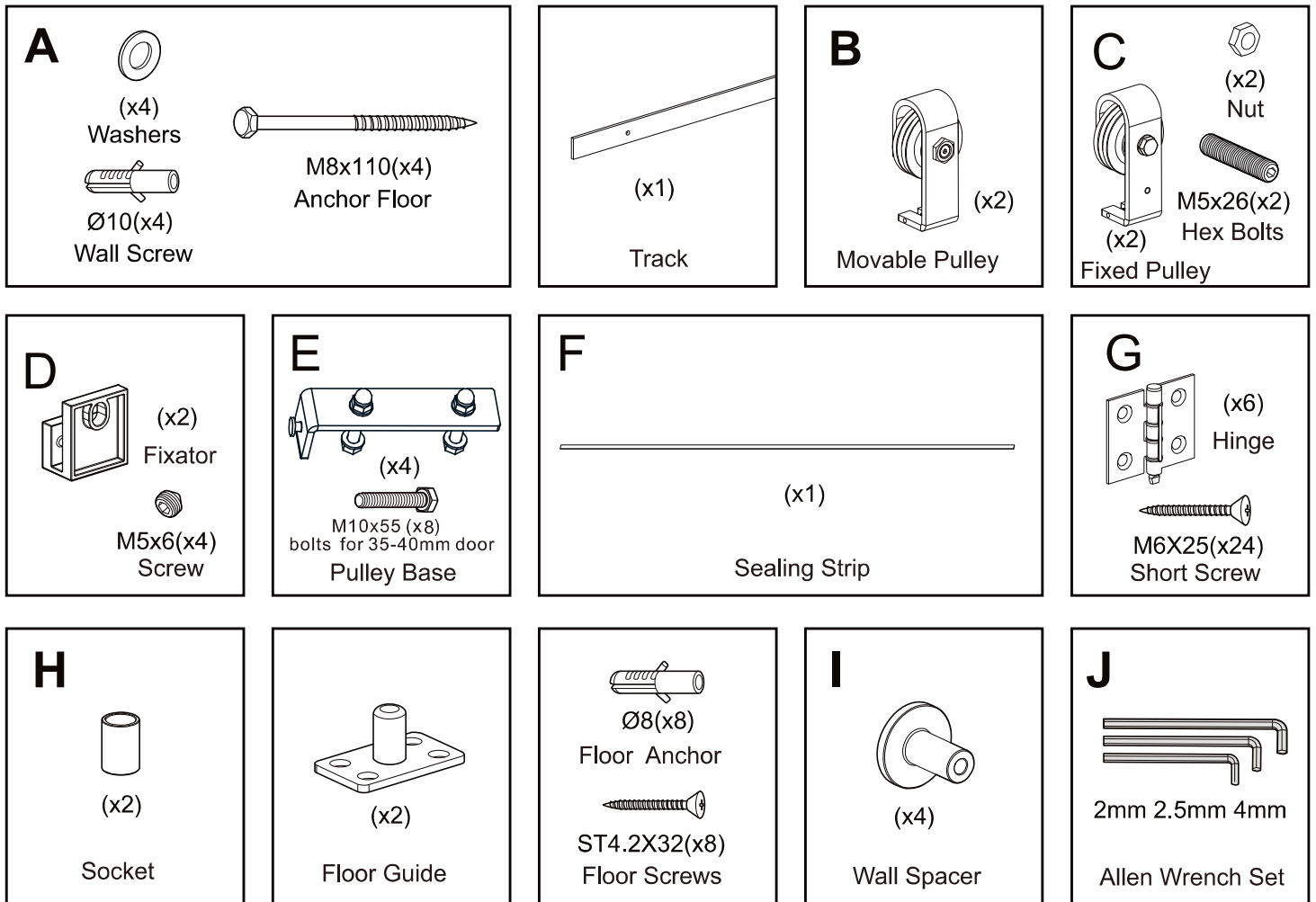


Pre-installation

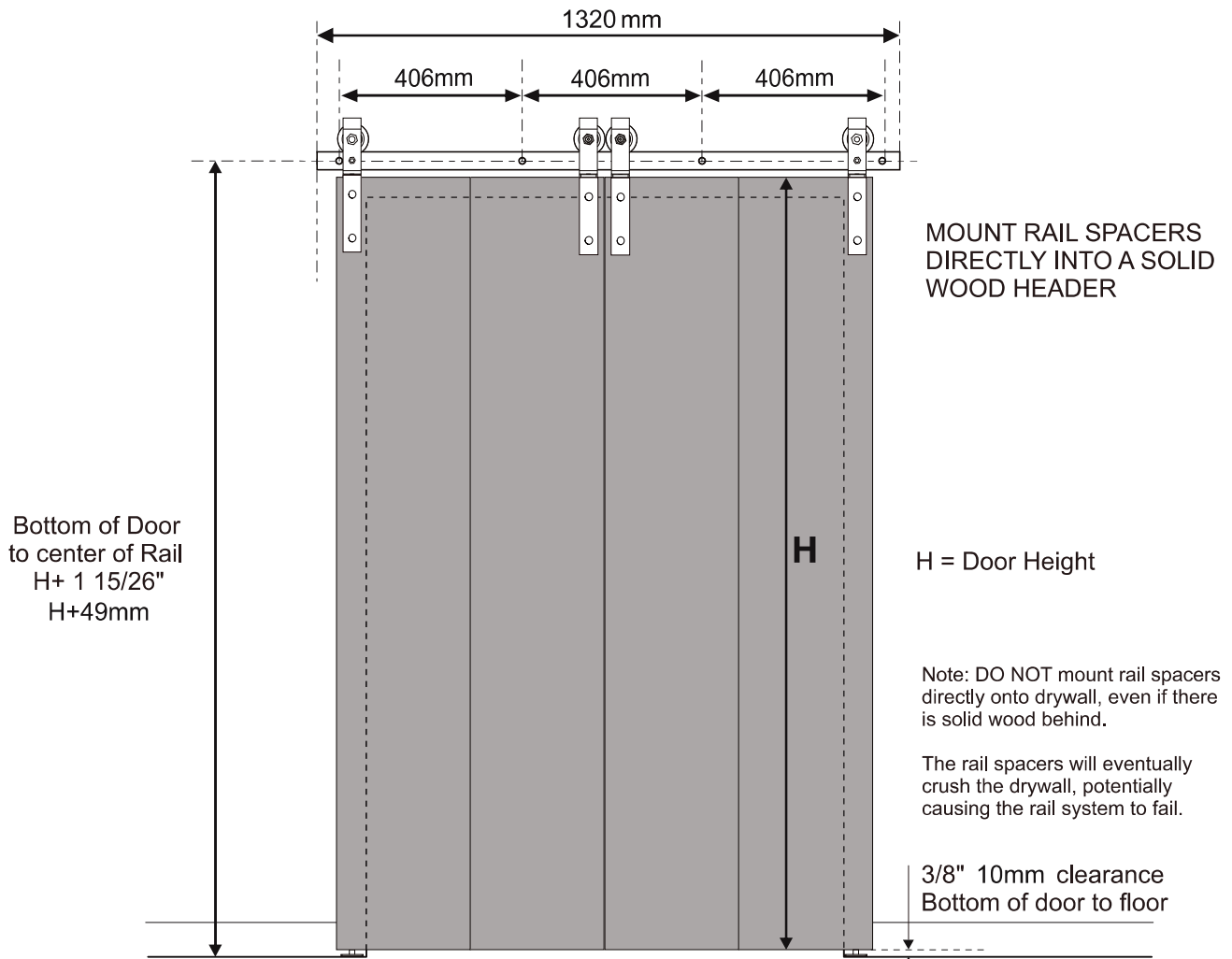
TOOLS REQUIRED



HARDWARE INCLUDED



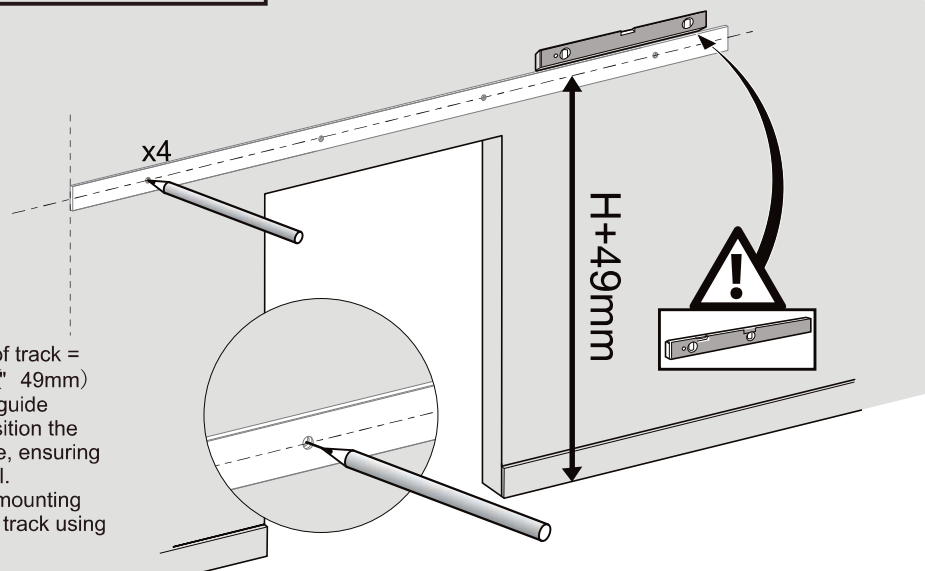
Installation



1

Locate spacer holes

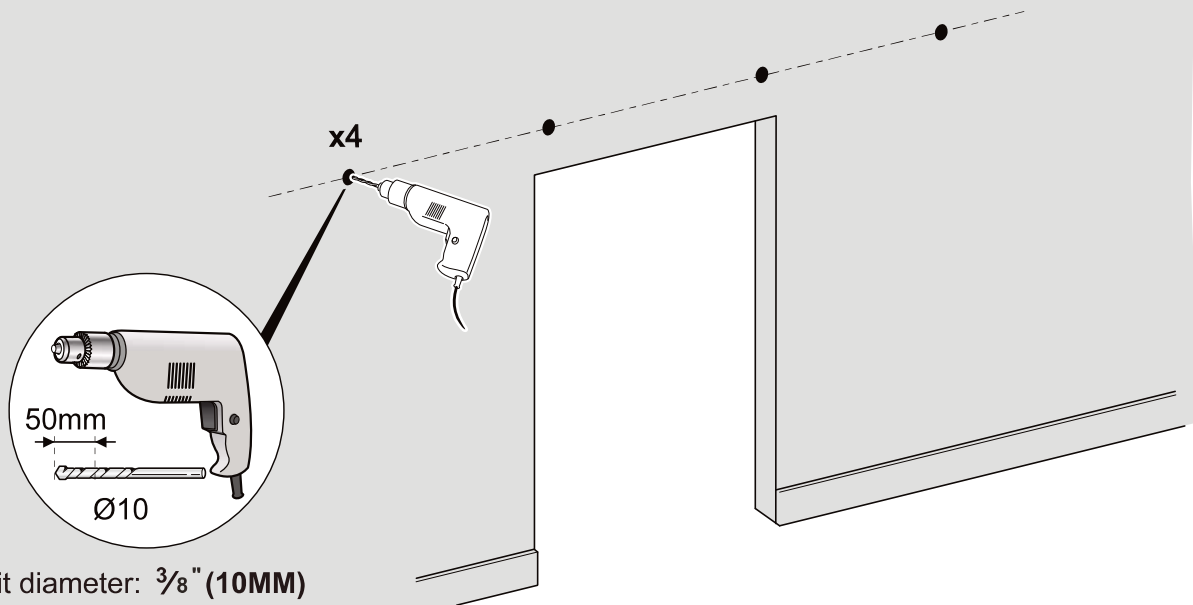
1. Location of track = $H + 1 \frac{15}{26}''$ (49mm)
2. Use your guide marks to position the track in place, ensuring that it is level.
3. Mark the mounting holes on the track using a pencil.



Installation

2

Drill holes



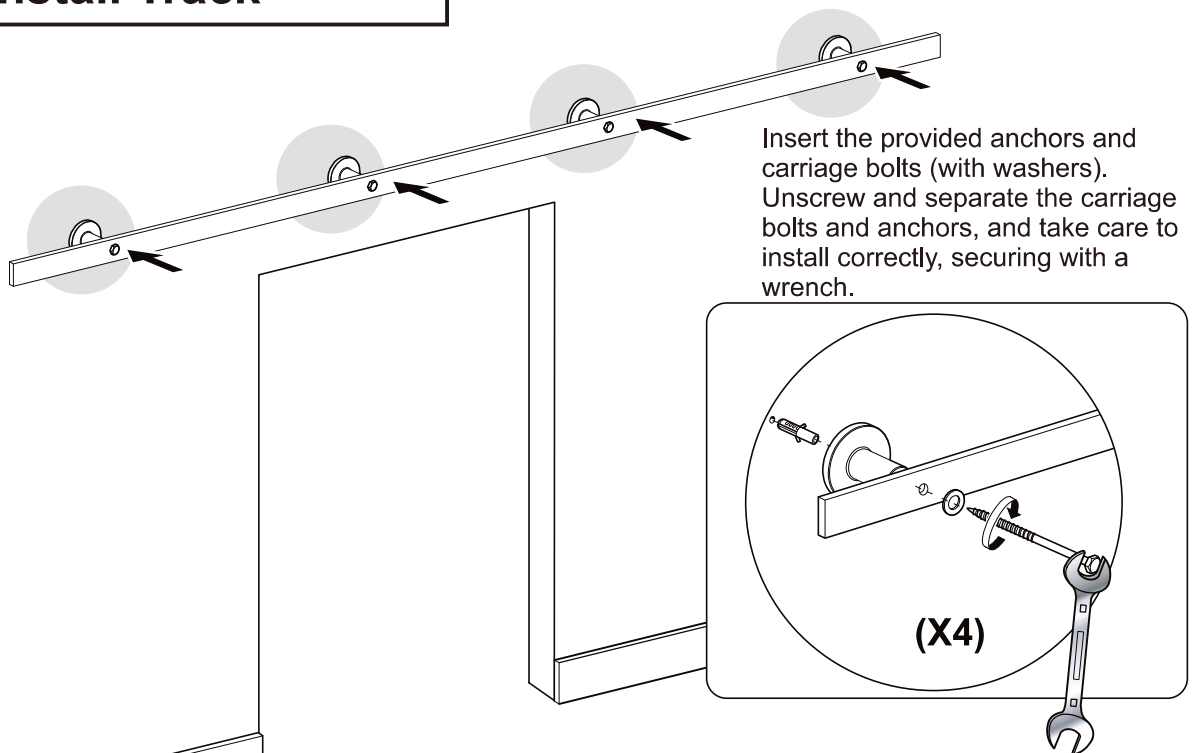
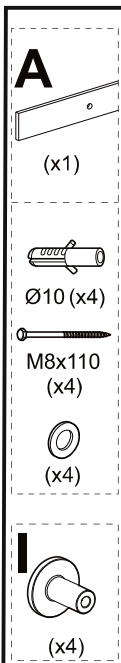
Bit diameter: $\frac{3}{8}$ " (10MM)

Borehole depth: $1\frac{31}{32}$ " (50MM)

Then, pre-drill $\frac{3}{8}$ "(10mm) holes into the concrete according to your marks.

3

Install Track



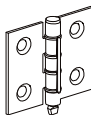
Insert the provided anchors and carriage bolts (with washers). Unscrew and separate the carriage bolts and anchors, and take care to install correctly, securing with a wrench.

(X4)

4

Install hinges G

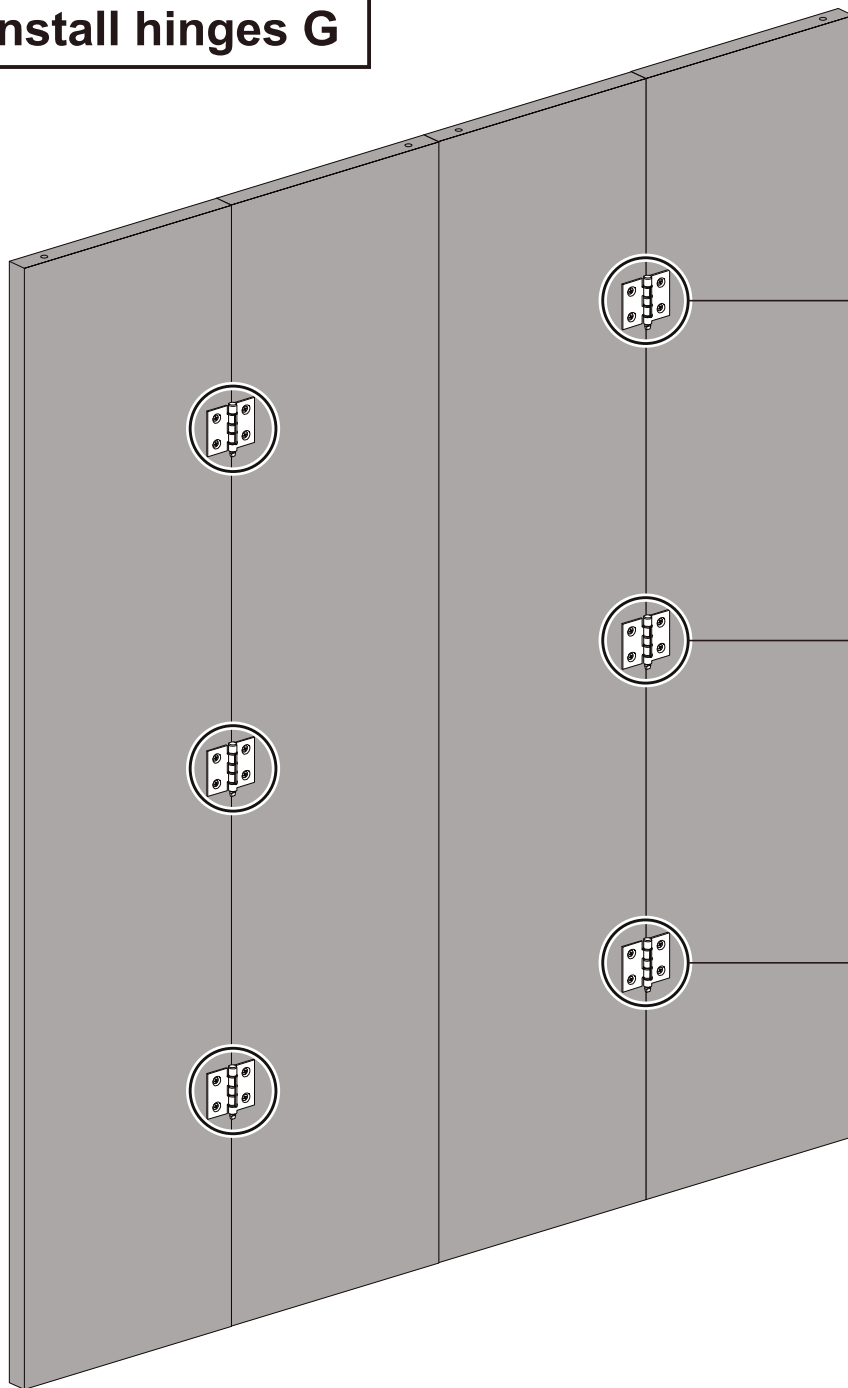
G



(x6)



M6x25
(x 24)



Top Hinge

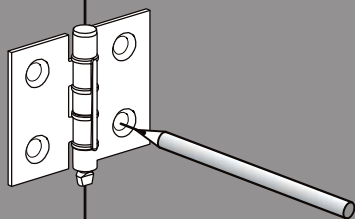
Center Hinge

Bottom Hinge

Lay Panels side by side on a flat, clean surface. Push the Panels together and mount hinges in pre-drilled pilot holes. Mount Top Hinge/Center Hinge/Bottom Hinge at the door as shown.

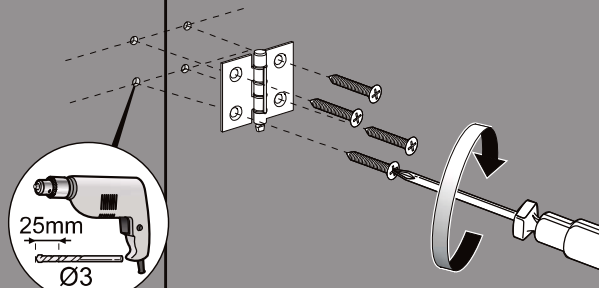
Note: Use Short Screws

1



x6

2



Bit diameter: $\frac{3}{16}$ " (4.8MM)
Borehole depth: 1" (25MM)

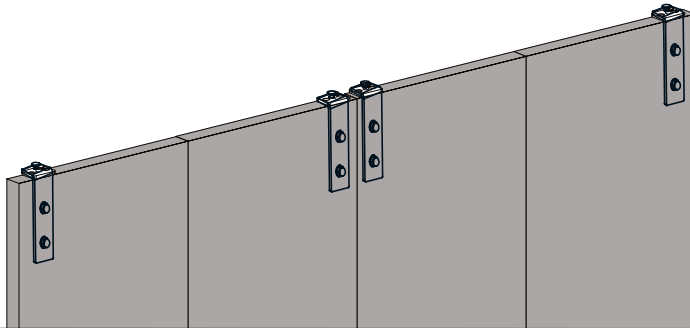
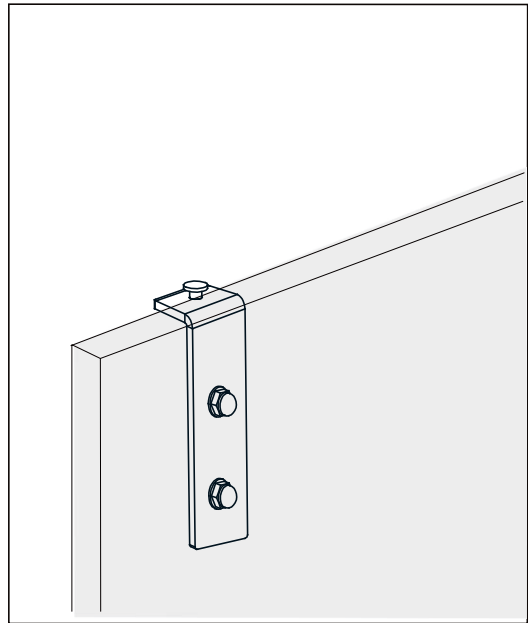
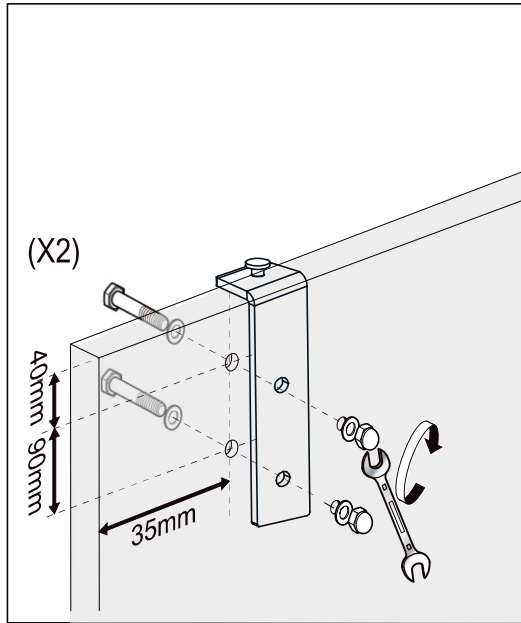
5

Install pulley base E

E



(x4)

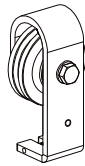


Your door panel arrives with holes for the hanging straps pre-drilled. Use the included carriage bolts to attach the straps to the door. Tighten slightly to secure in place

6

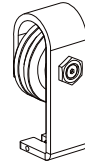
Hanging the rollers

C

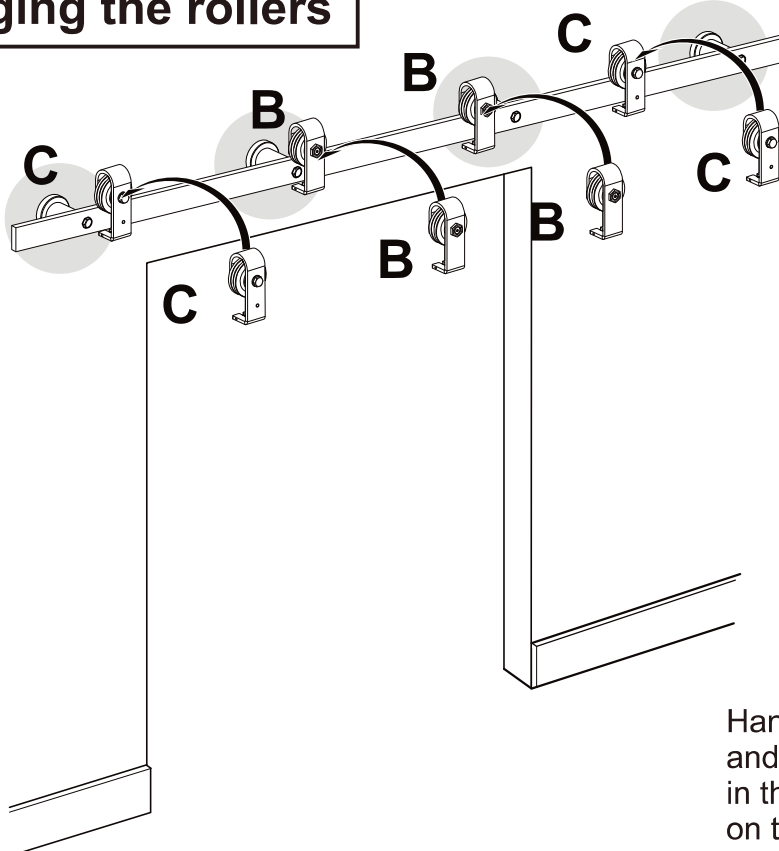


(x2)

B



(x2)

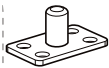


Hang the Fixed Pulley and the Movable Pulley in the correct positions on the track

7

Install floor guide H

H



(x2)



(x2)



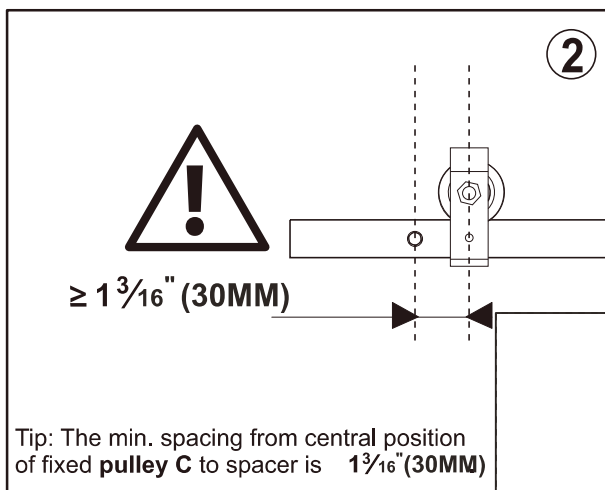
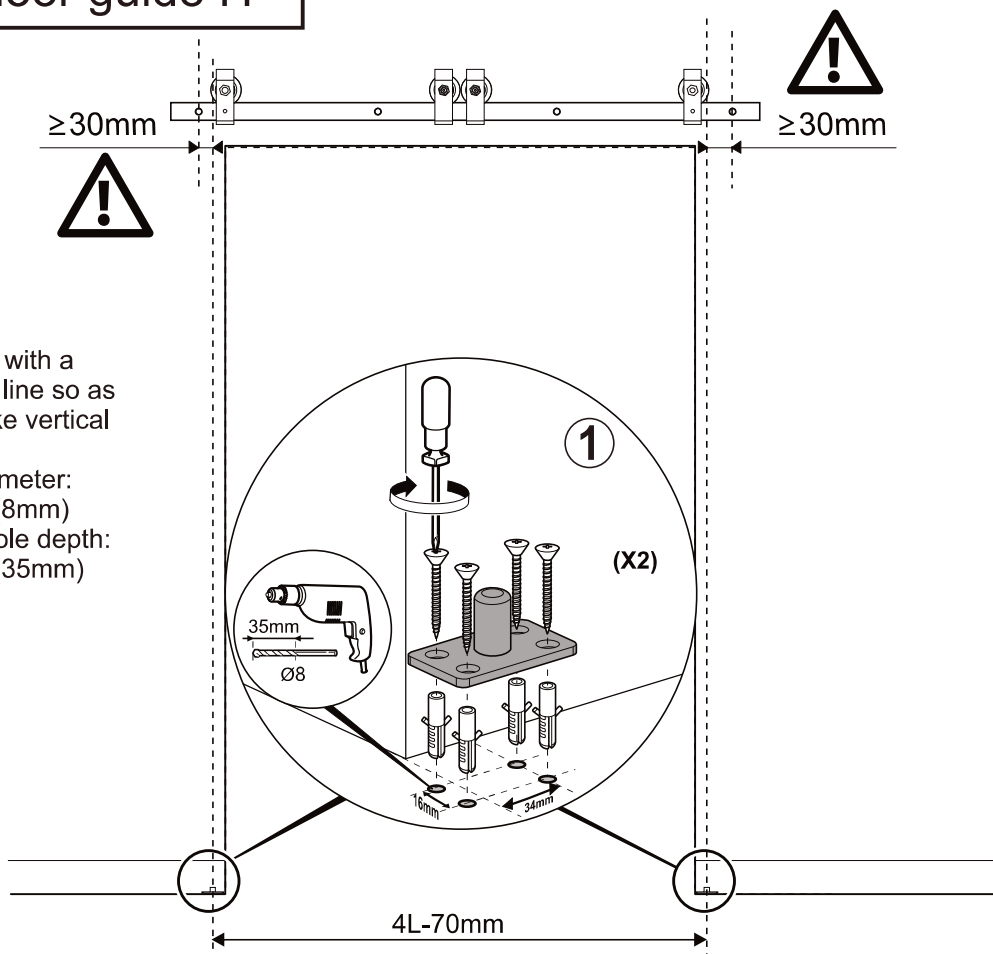
ST4.2X32
(x8)



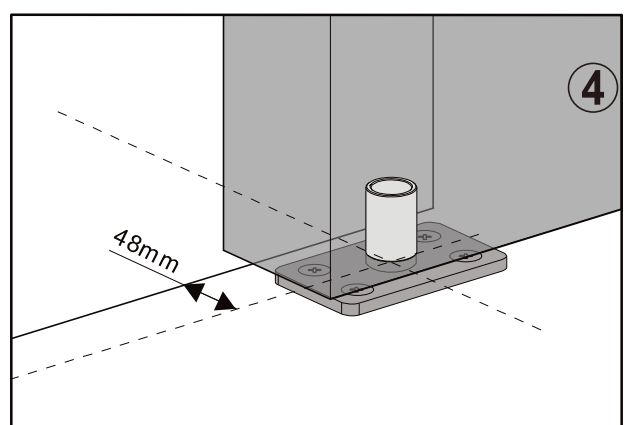
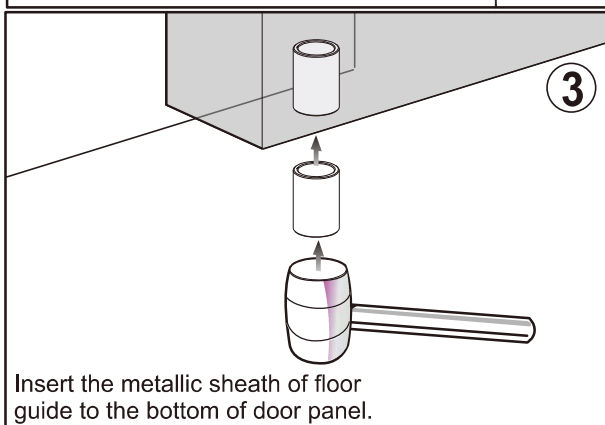
Ø8 (x8)

Adjust with a plumb line so as to make vertical

Bit diameter:
5/16" (8mm)
Borehole depth:
1 3/8"(35mm)



Position the floor-guide just outside the opening of the door frame. Slide the door side-to-side to test for functionality, then mark the holes with a pencil and punch a hole with diameter 5/16" (8mm) depth 1 3/8"(35mm). Then put the socket on the hole, and knock it in with a wooden hammer. Finally, put the floor guide into the socket.

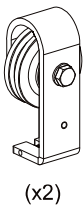


8

Install fixed pulley C

fixed pulley C

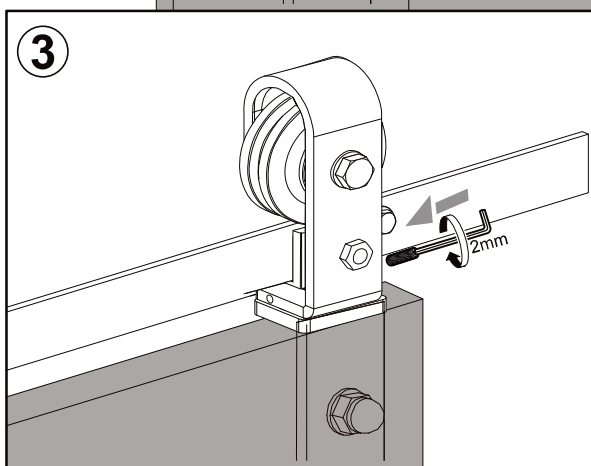
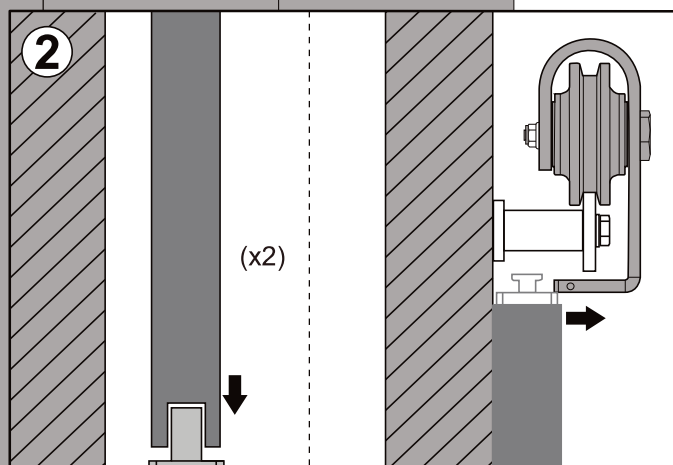
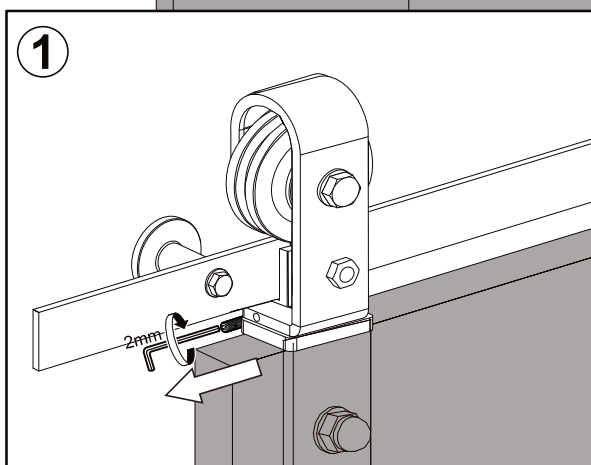
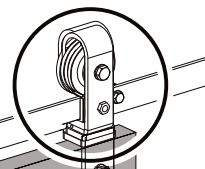
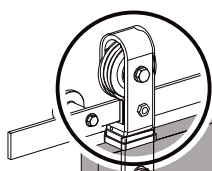
C



J



fixed pulley C



Unscrew the screw, adjust the position of the door and the floor guide, then push in the hanger roller slot, and fix it with screw.

9

Install movable pulley B



(x2)

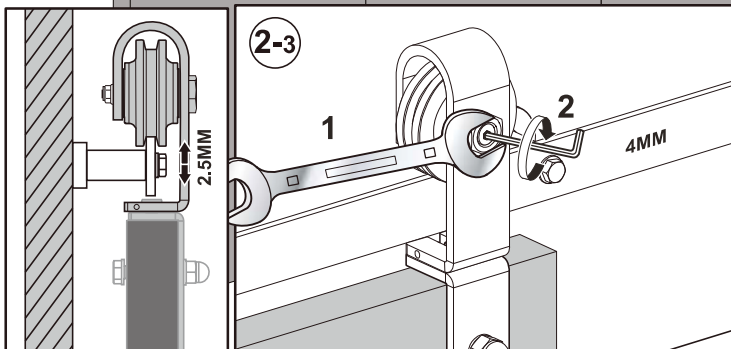
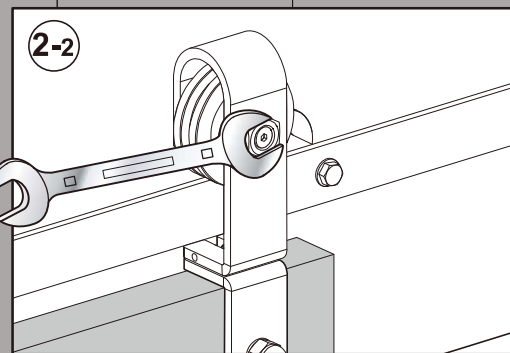
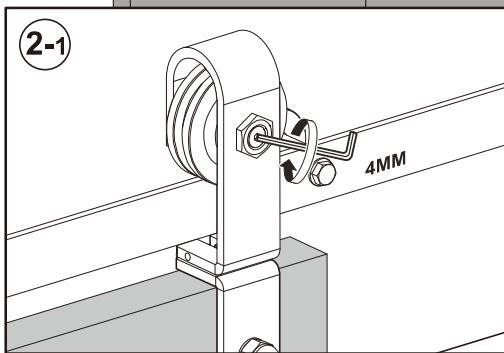
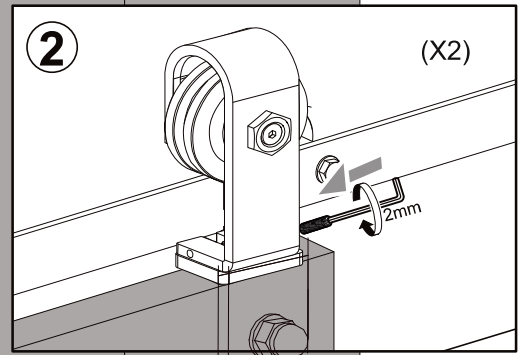
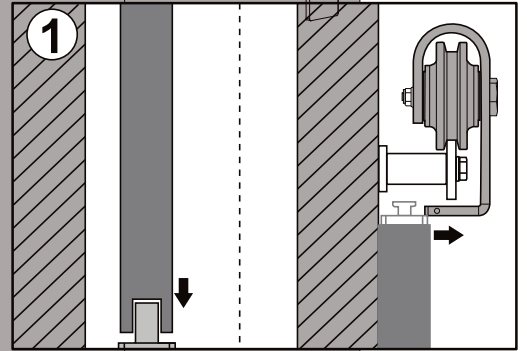
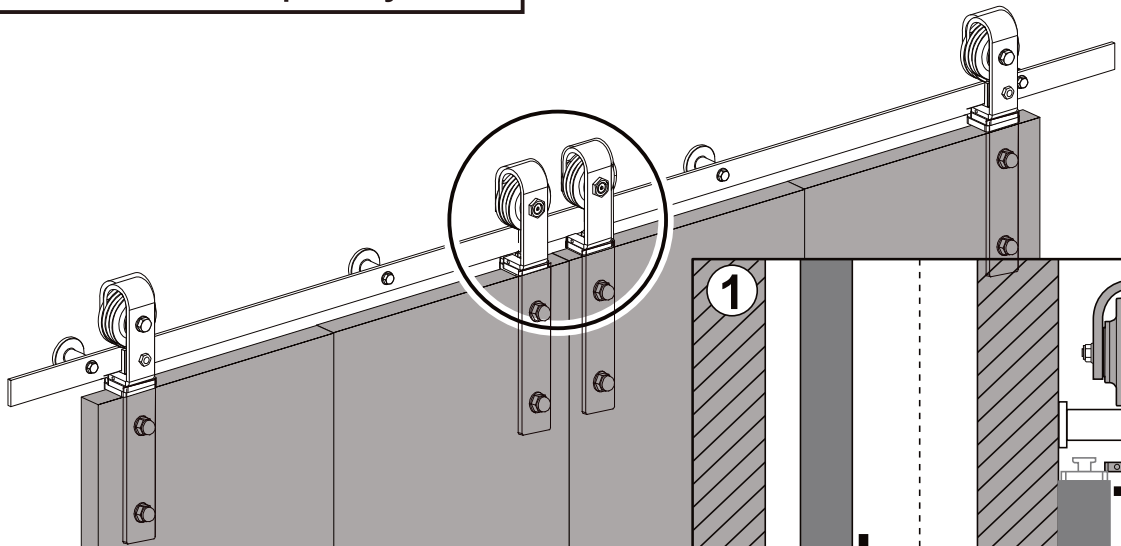
J



2mm
(x1)



4mm
(x1)



If the height of two doors are uneven, align them by adjusting the height of movable pulley B by hexagon wrench and wrench. (adjustment range:2.5MM)

Unscrew the screw, adjust the position of the door and the floor guide then push in the hanger roller card slot, fix it with screws.
Using a wrench to adjust the height of the hanger roller to a suitable position, and tighten it.

10

Install the fixator D of hanging pulley C

C



M5x26
(x2)



(x2)

J



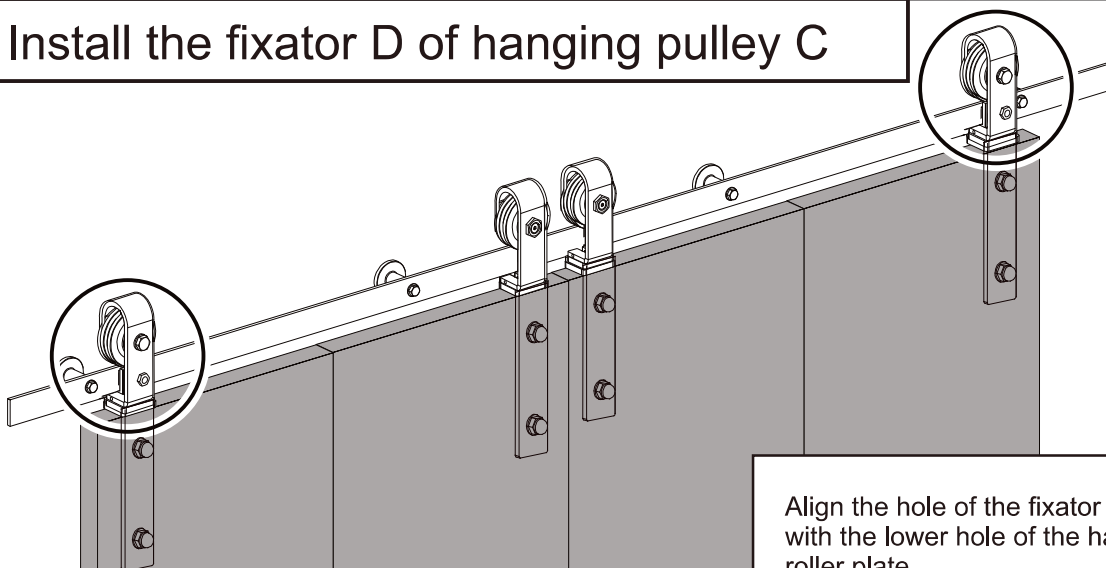
2.5mm
(x1)

D



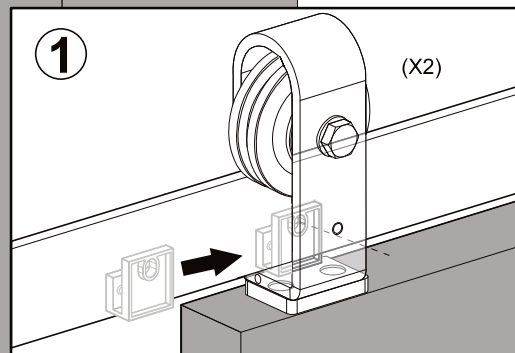
(x2)

M5x6(x4)

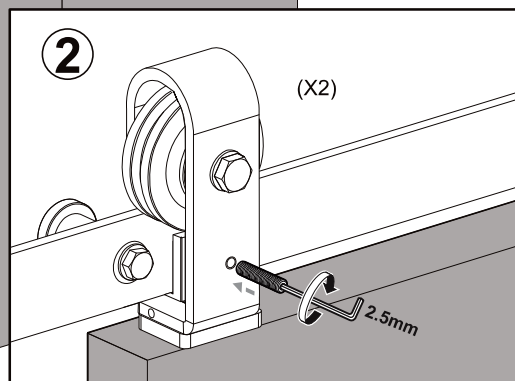


Align the hole of the fixator piece with the lower hole of the hanger roller plate.
Using a wrench to pass through the hanger roller plate and the fixator piece. Tighten the other two holes of the connector with a screw. Then install the nut with the wrench.

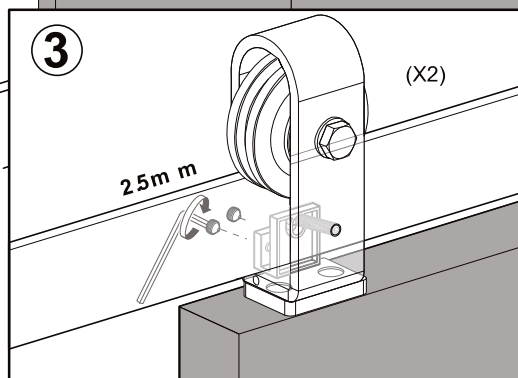
1



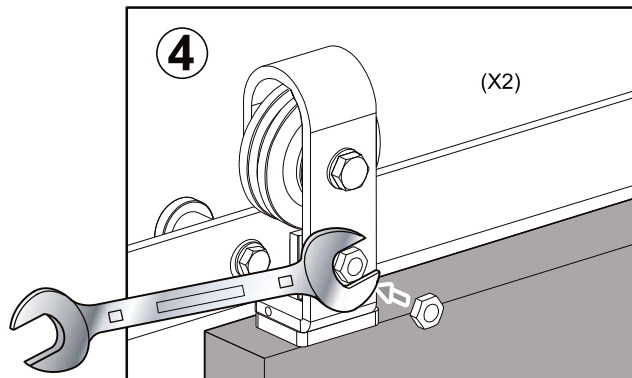
2



3

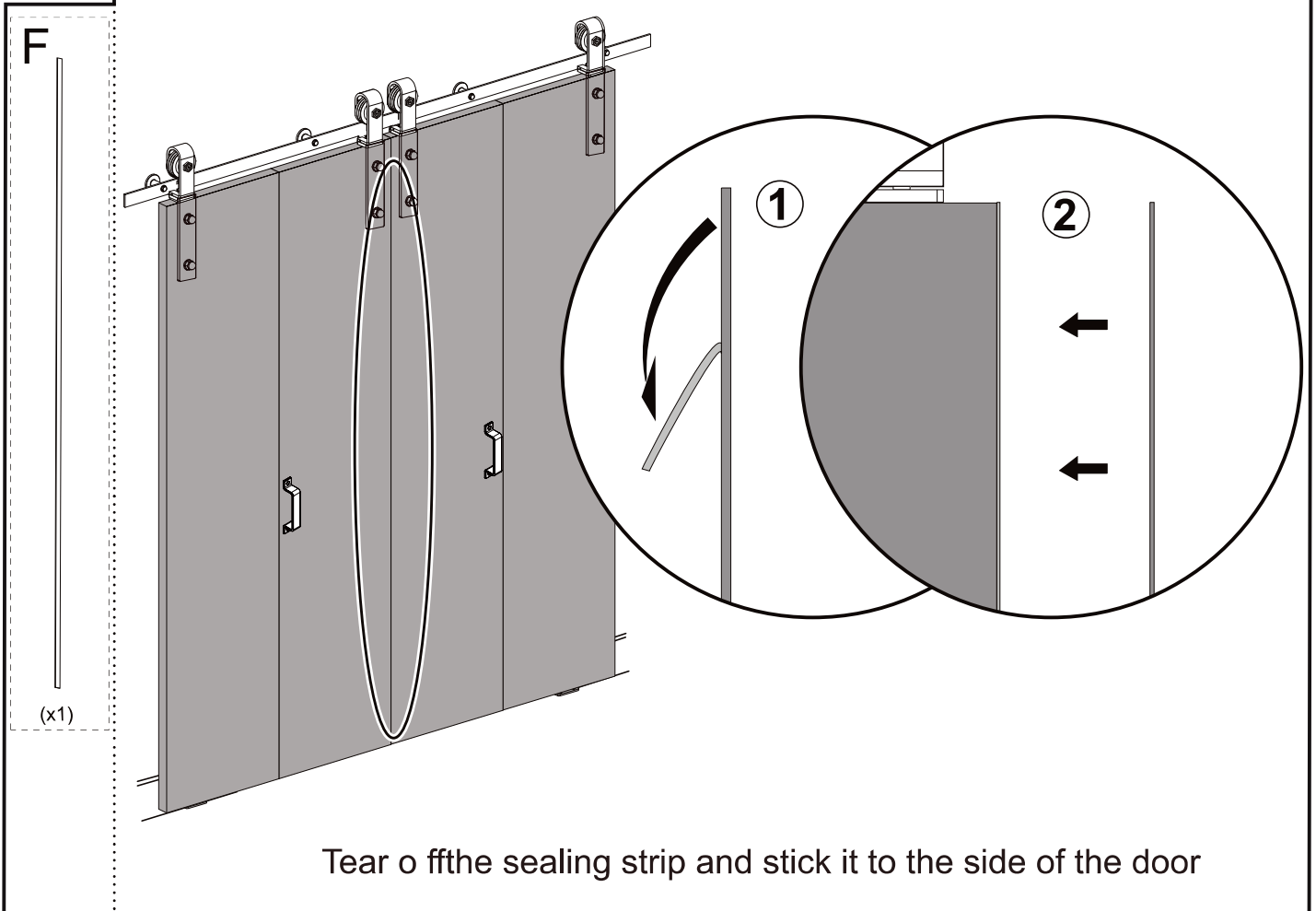


4



11

Install the sealing strip F



Tear off the sealing strip and stick it to the side of the door

12

Attach the Door Handle

k



(x2)



(x4)

- Measure up from the bottom of the door to the bottom hole of the handle (K) to any suitable height. Handle position should be 1 inches from the edge of the door. Mark both handle (K) hole locations with a pencil.
- Drill a 1 inch deep pilot hole using the 5/32 inch drill bit. (Do not drill through door).
- Using a #2 Phillips screwdriver, tighten screws (BB) and secure the handle (K) in place.



NOTE: Due to the construction of a hollow core door, the handle (K) can only go in one place. Look for the (A) sticker for location of the handle (K).



inches from edge of door
Mark holes
any suitable height

