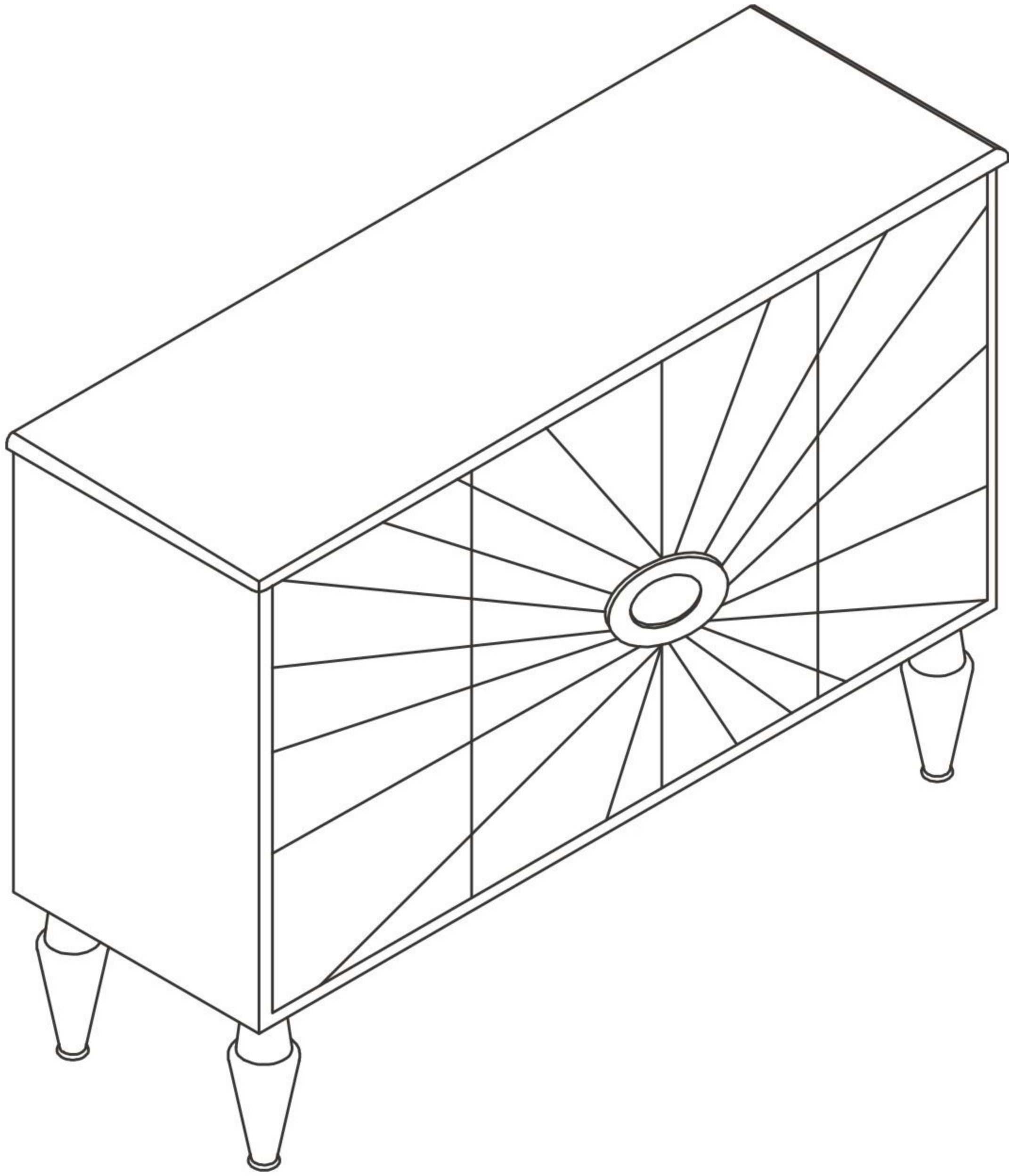


ASSEMBLYINSTRUCTIONS



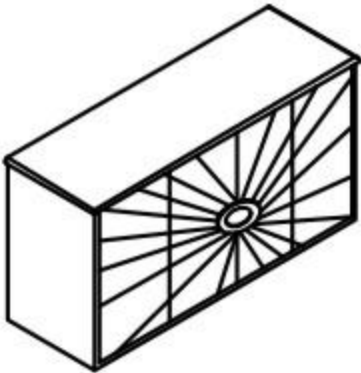

Sideboard Assembly Instructions

ASSEMBLY INSTRUCTIONS

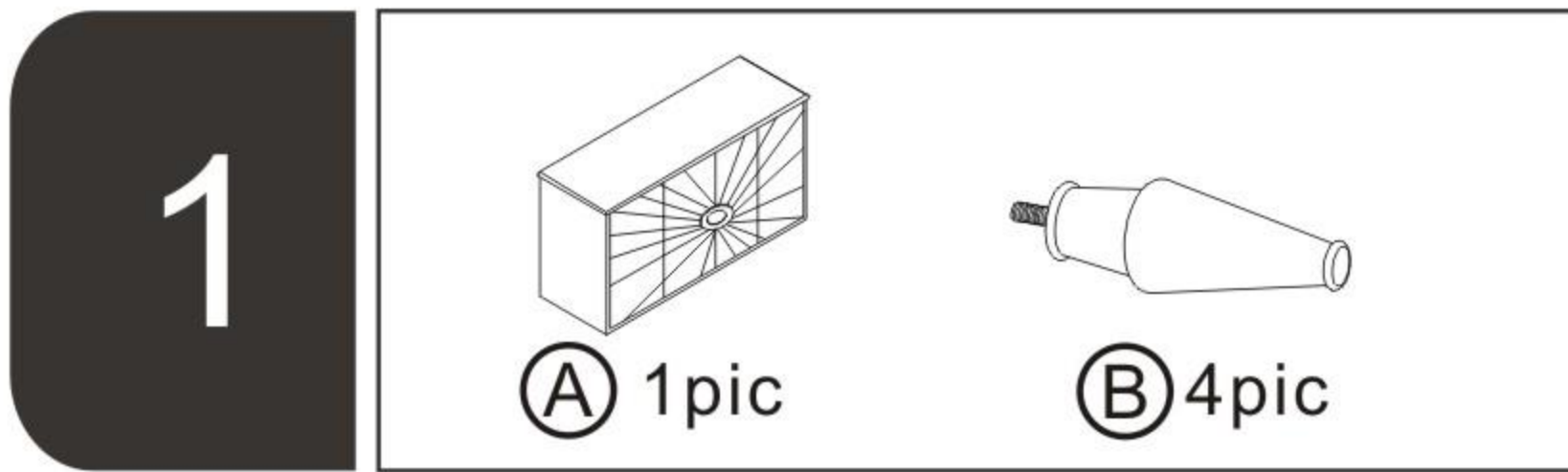
Notice:

1. Follow the installation instructions. Please confirm all accessories are present before installation.
2. Do not fully tighten the screws during initial assembly. Fully tighten screws only once all pieces which are correctly assembled.
3. If you encounter any problems during installation, please contact our customer service.
4. Please unbox the item from the side with an open-label and put a carpet on the floor to avoid scratching it.

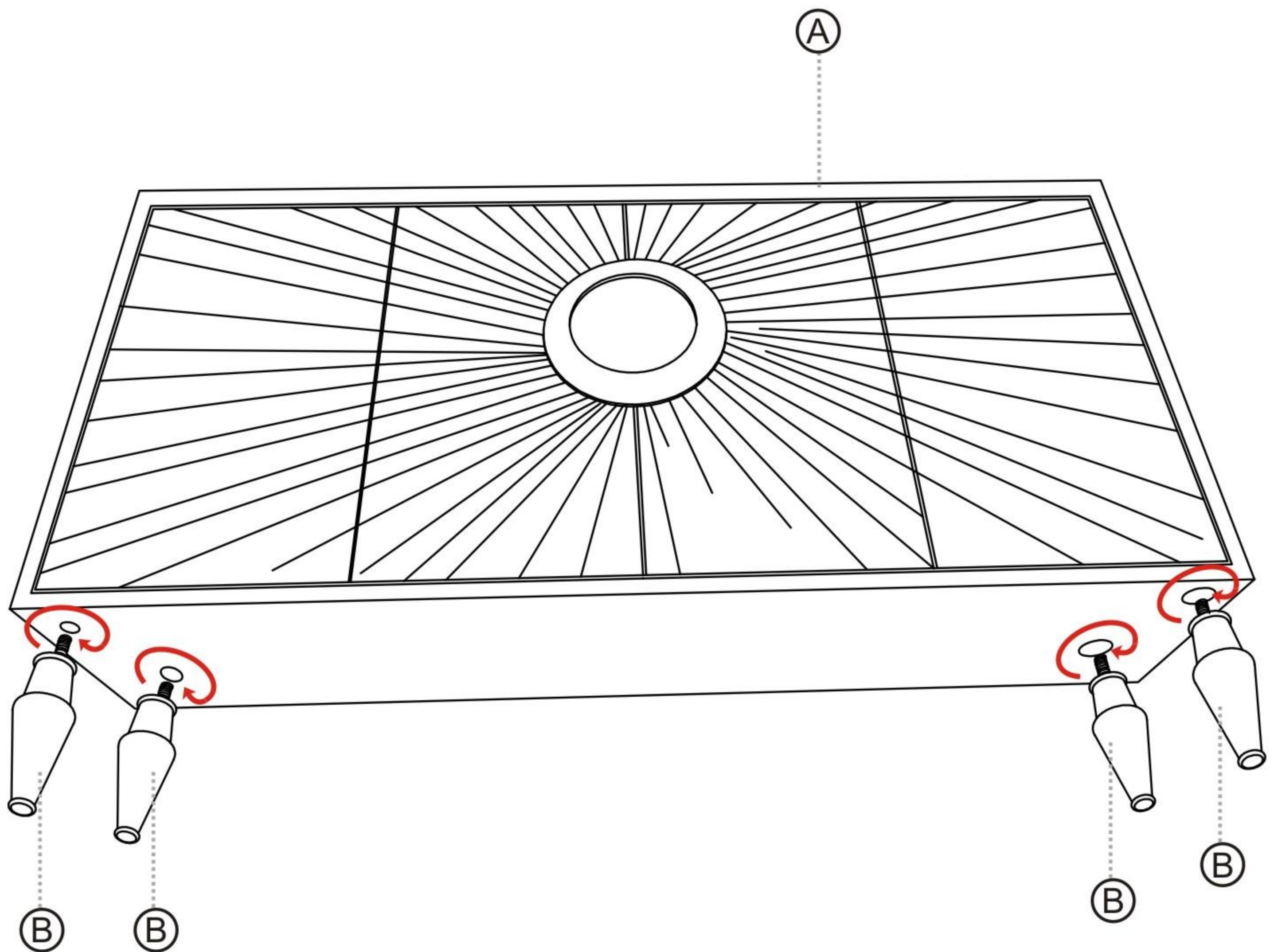
Main parts list

Item no.	Reference Image	Qty
A		x1
B		x4

ASSEMBLY INSTRUCTIONS

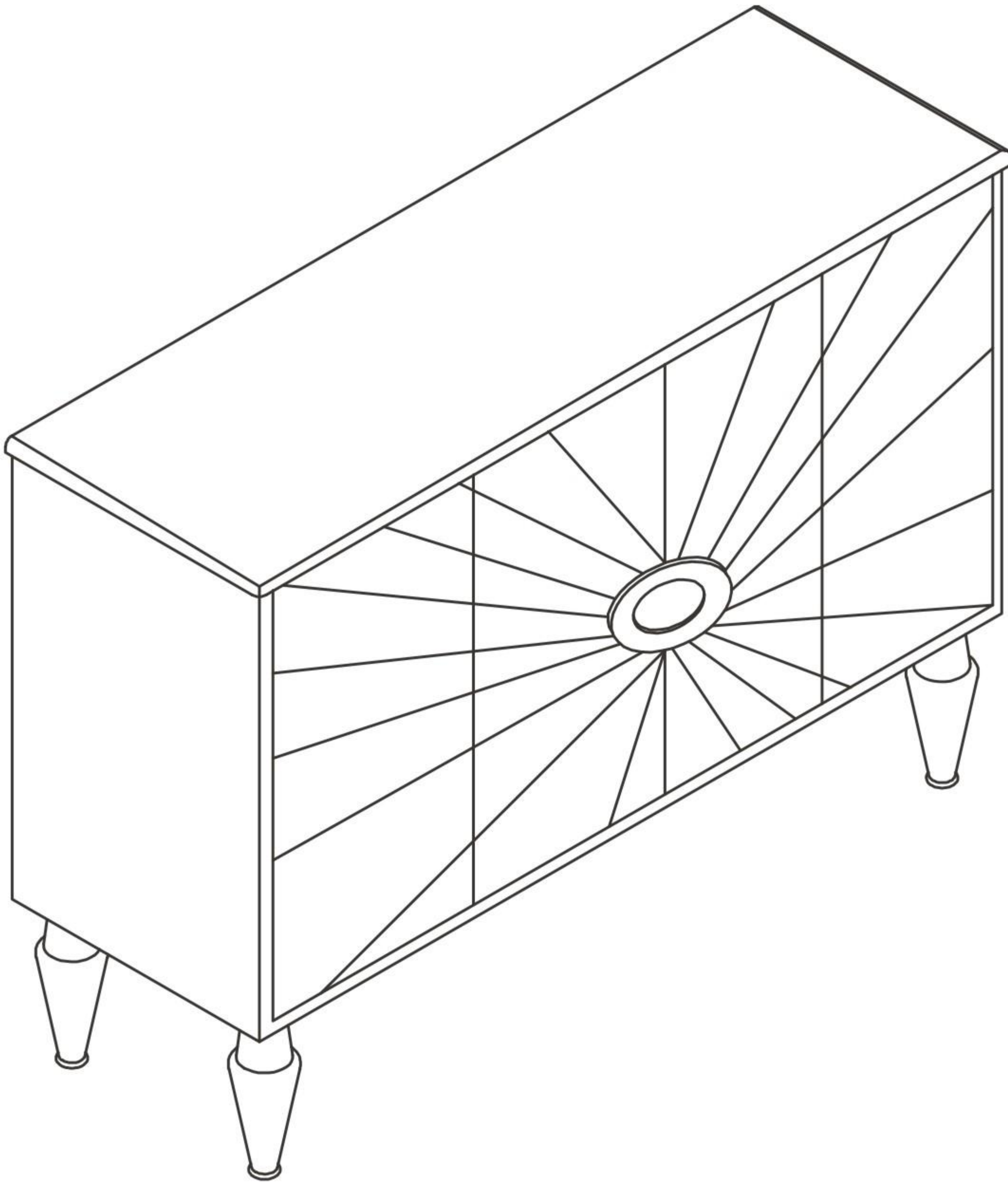


*** Please assemble on a flat, soft surface to avoid scratching the furniture.**



1. Place the sideboard gently upside down, aligning the metal feet with the pre-drilled holes on the bottom.
Turn the metal feet clockwise and tighten to secure firmly.

2



2. After installation, set the sideboard upright and gently shake to ensure all parts are stable.

Care Tips:

1. Cleaning

- For daily dusting, gently wipe the surface with a soft, dry microfiber cloth.
 - For deeper cleaning, use a slightly damp cloth, then dry immediately with a soft cloth.
 - Avoid abrasive pads, harsh chemicals, or solvent-based cleaners, as they can damage the lacquer finish.
-

2. Protection

- Avoid exposing the furniture to direct sunlight for extended periods to prevent fading or discoloration.
 - Do not place the furniture near heat sources (radiators, fireplaces, or heaters).
 - Use coasters or heat-resistant mats under hot, cold, or wet items to protect the surface.
 - Avoid placing sharp or rough objects directly on the surface to prevent scratches.
-

3. Maintenance

- Wipe up any spills immediately to prevent staining or warping.
 - For minor scratches, use a lacquer-safe furniture polish or wax to restore the finish.
 - Periodically check and tighten any loose hardware to maintain stability.
-

4. Moving & Storage

- When moving the furniture, lift rather than drag to avoid structural damage.
 - For long-term storage, cover with a breathable fabric to protect against dust and scratches.
-

Note: Lacquered surfaces are durable but require gentle care to maintain their glossy, smooth finish. With proper care, your sideboard will remain beautiful and functional for many years.
