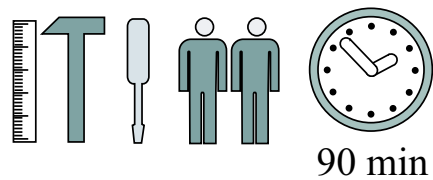
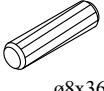
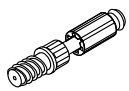


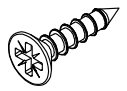
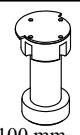
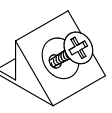
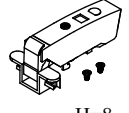
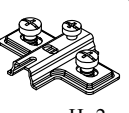
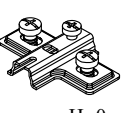
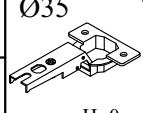
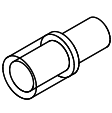


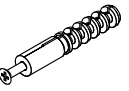
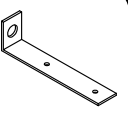
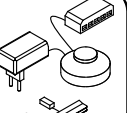
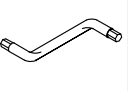

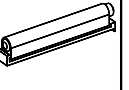
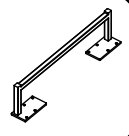
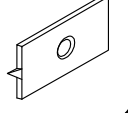
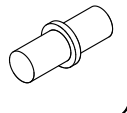

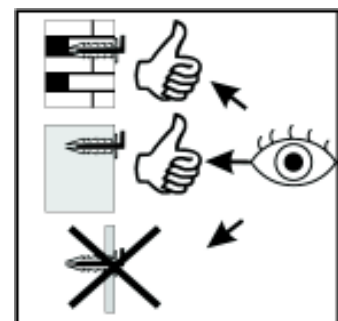
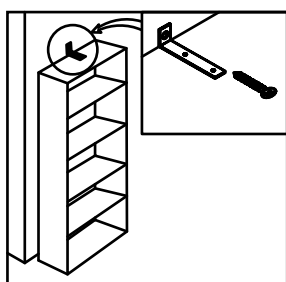
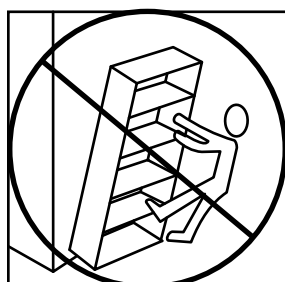
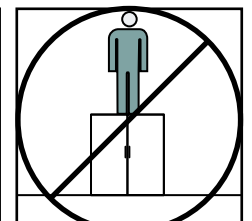
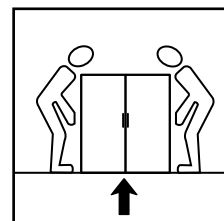
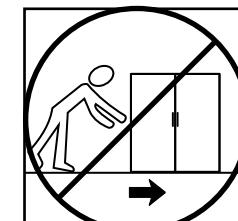
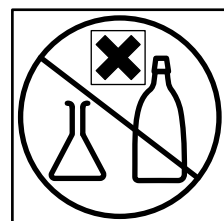
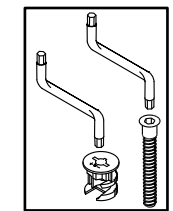
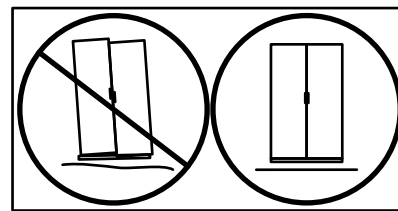
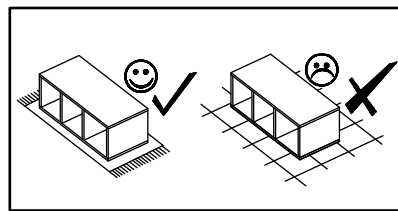
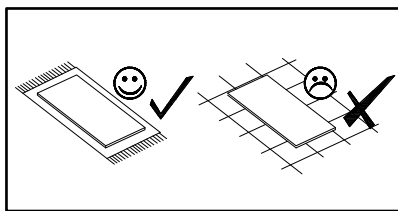
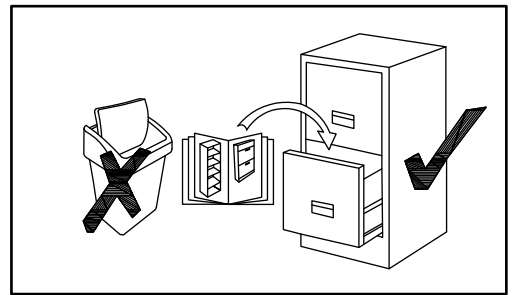
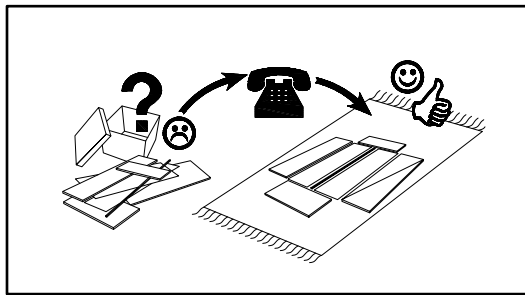
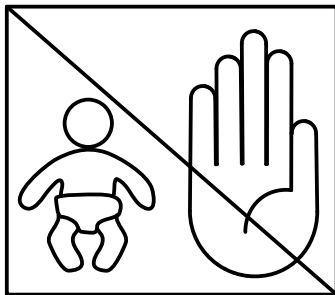
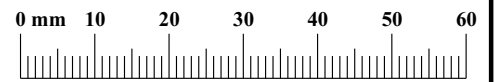


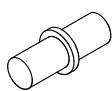

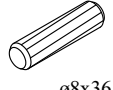
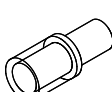
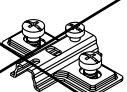
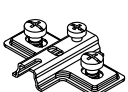
| NO | Dim. | | | Col-No | Qty |
|----|------|-----|----|--------|-----|
| 1 | 1502 | 376 | 16 | 1 | 1 |
| 2 | 1502 | 376 | 16 | 1 | 1 |
| 3 | 850 | 376 | 16 | 1 | 2 |
| 4 | 476 | 346 | 16 | 1 | 4 |
| 5 | 483 | 346 | 5 | 1 | 2 |
| 6 | 850 | 356 | 16 | 1 | 2 |
| 8 | 496 | 876 | 16 | 1 | 2 |
| 9 | 496 | 876 | 21 | 1 | 1 |
| 11 | 500 | 862 | 3 | 1 | 1 |
| 12 | 490 | 862 | 3 | 1 | 2 |

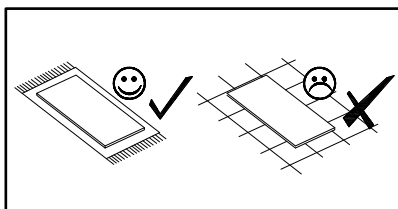
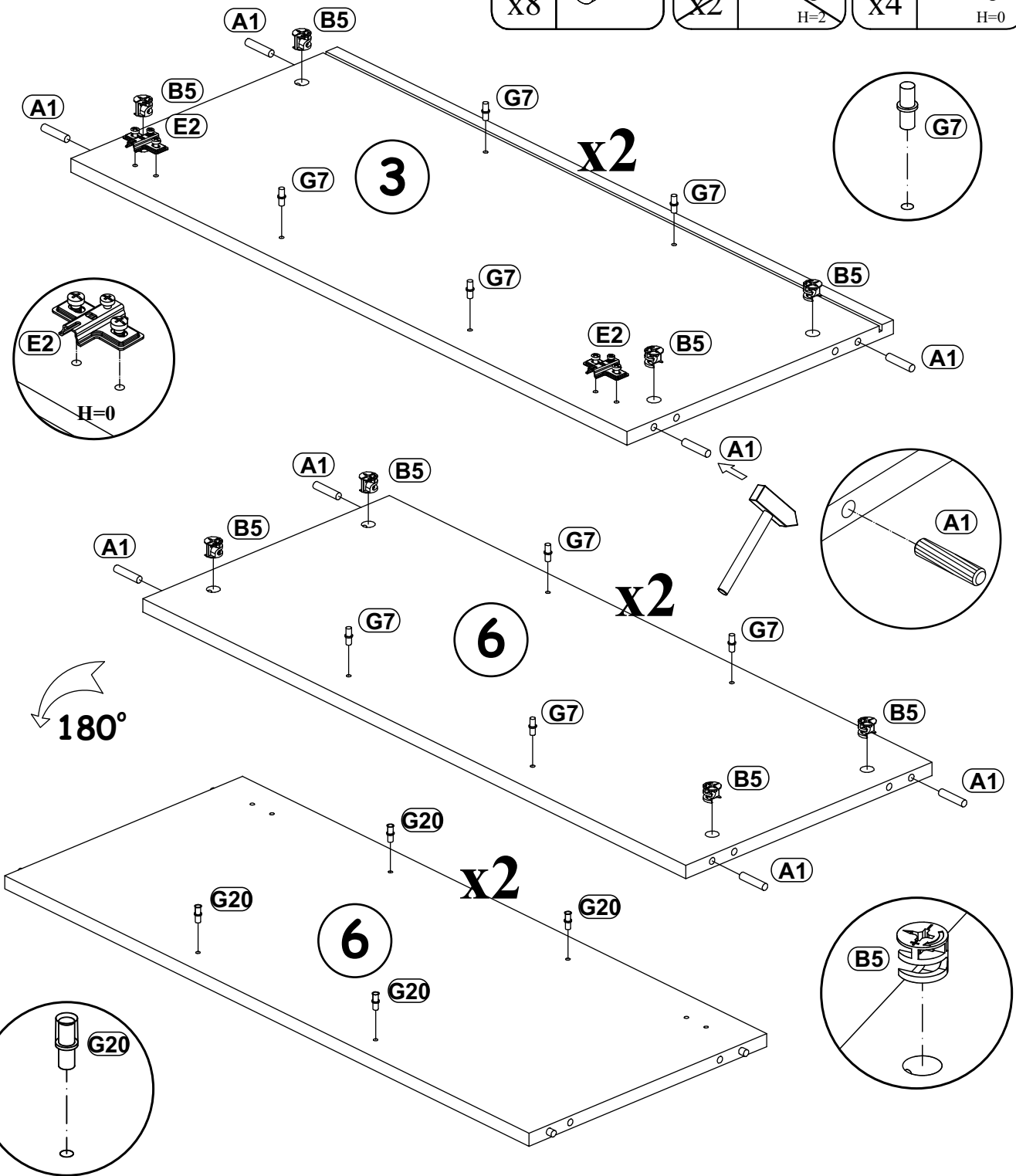


| | | | | | |
|--|--|--|---|--|---|
| A1 x16  ø8x36 | B4 x16  | B5 x16  ø15x12 | G5 x16  | D30 x8  USØ3,5x16 | I12 x2  L-100 mm. |
| S1 x18  | E31 x2  H=8 | E4 x2  H=2 | E2 x4  H=0 | E21 x4  Ø35 H=0 | G20 x8  |
| UP13 x8  UPØ3x16 | D10 x16  USØ3,5x13 | KR1 x1  | L1 x1  | LED x1  x2 | G2 x1  |
| Z2 x4  ø5 | T1 x3  | ST6 x2  | G16 x8  | G7 x16  | UP5 x16  UPØ4x16 |

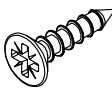


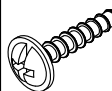
1

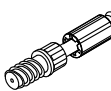
| | | | | | |
|-----------|--|----------------------|--|-----------|--|
| G7 x16 |  | B5 x16 |  ø15x12 | A1 x16 |  ø8x36 |
| G20 x8 |  | E4 x2 |  H=2 | E2 x4 |  H=0 |

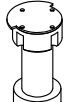


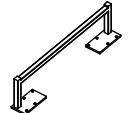
2

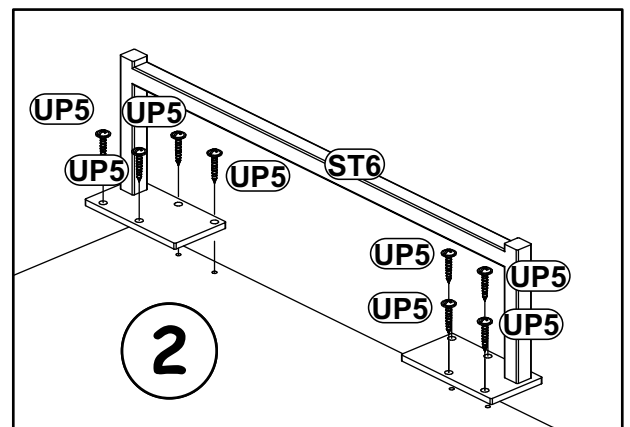
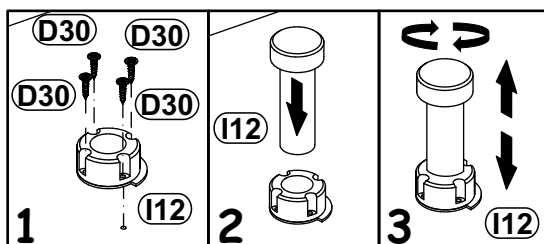
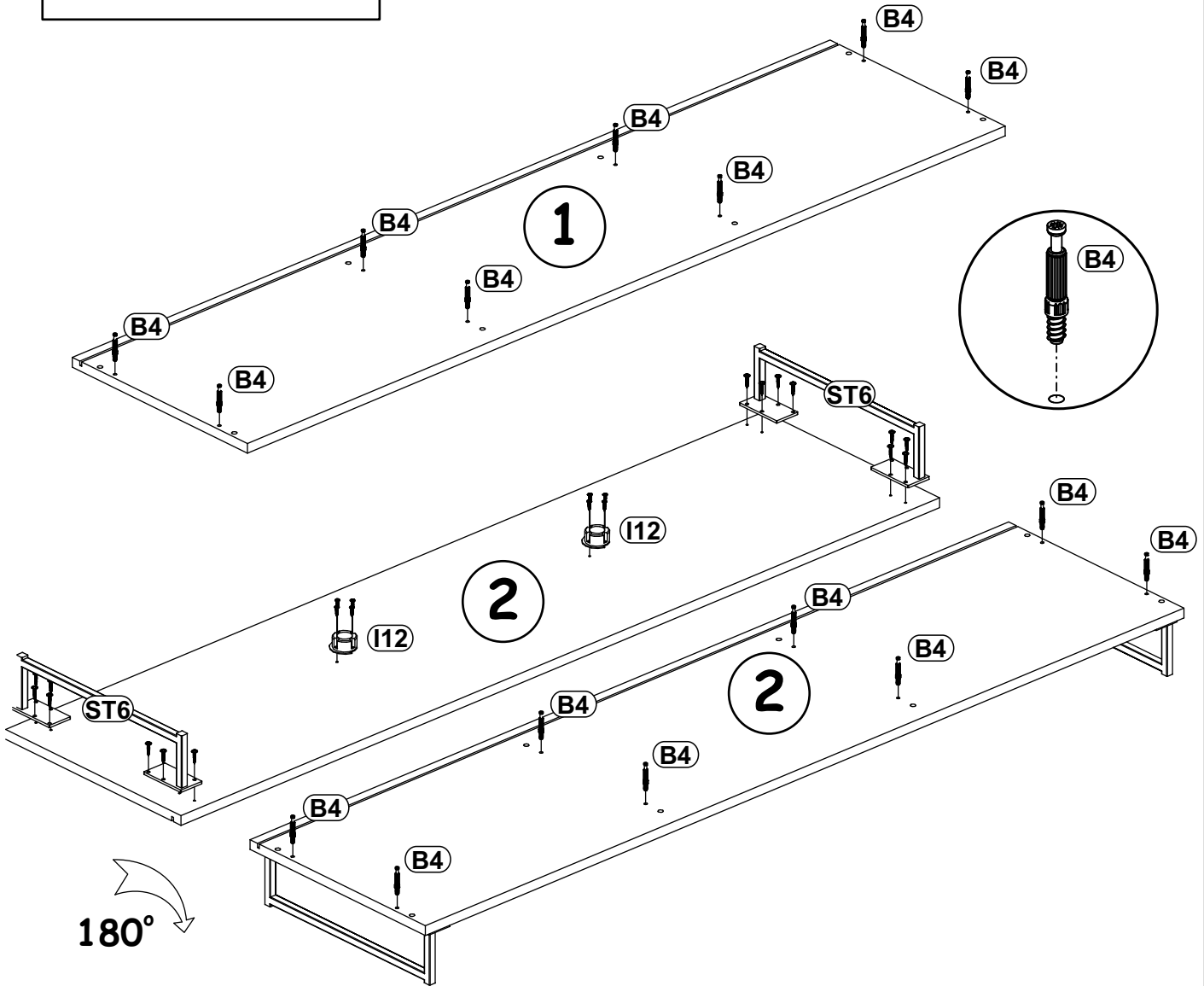
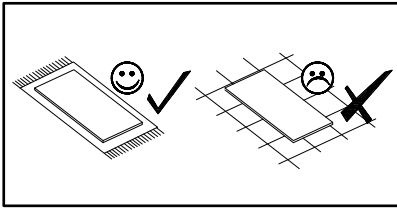
| | |
|-----|---|
| D30 |  |
| x8 | USØ3,5x16 |

| | |
|-----|--|
| UP5 |  |
| x16 | UPØ4x16 |

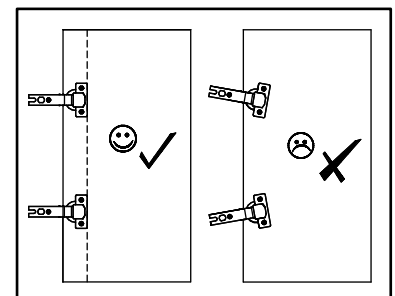
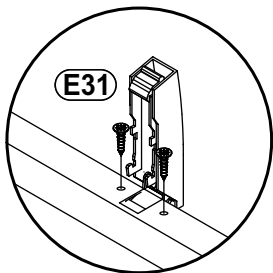
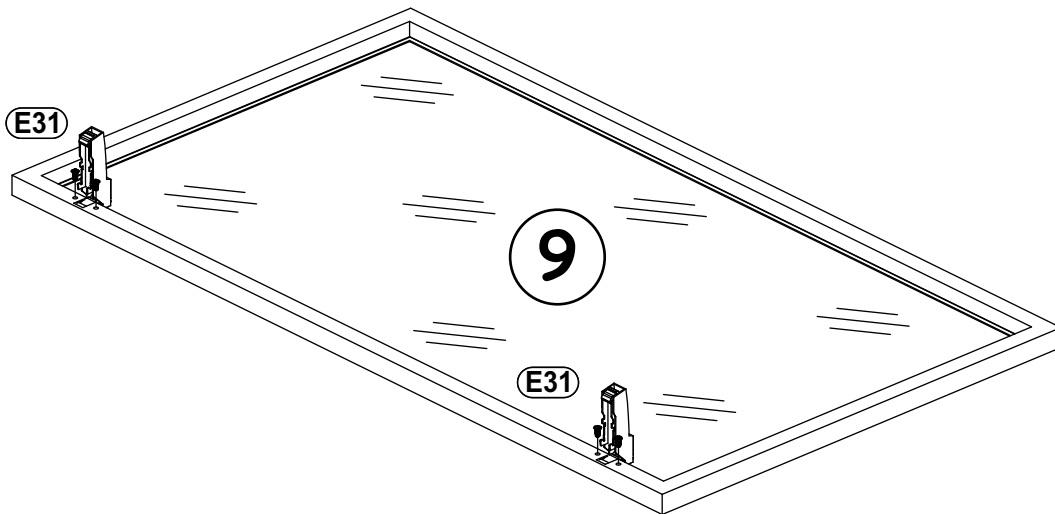
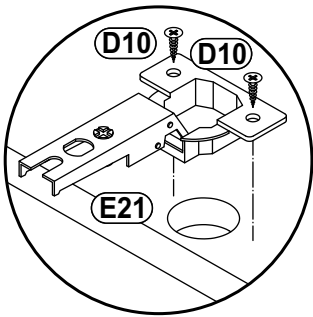
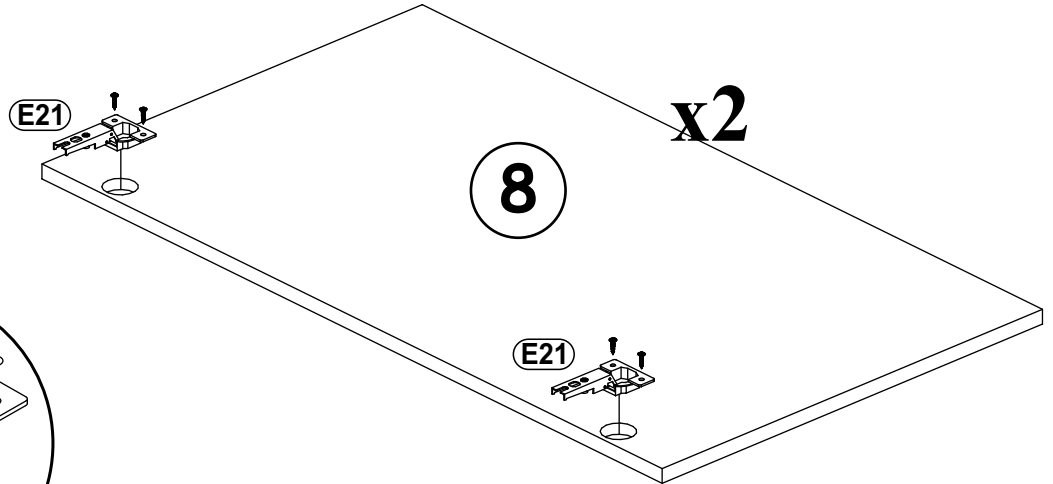
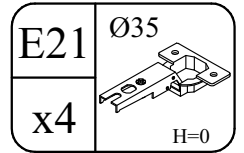
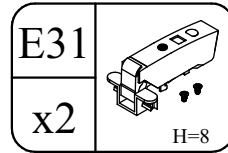
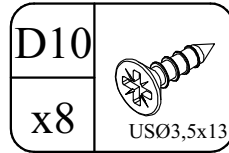
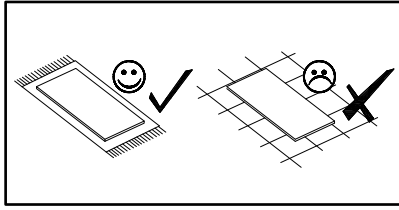
| | |
|-----|---|
| B4 |  |
| x16 | |

| | |
|-----|--|
| I12 |  |
| x2 | L-100 mm. |


| | |
|-----|---|
| ST6 |  |
| x2 | |

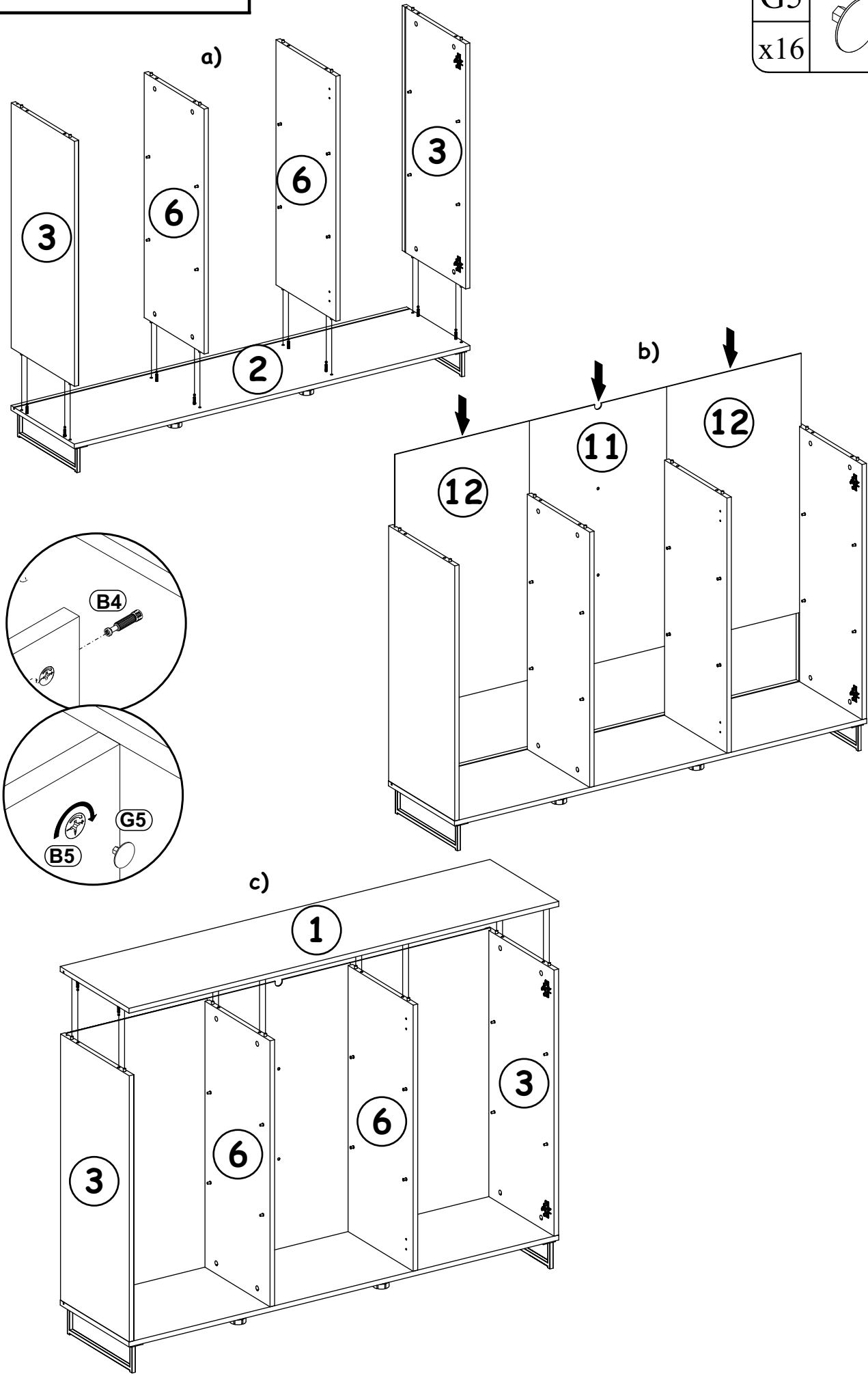


3

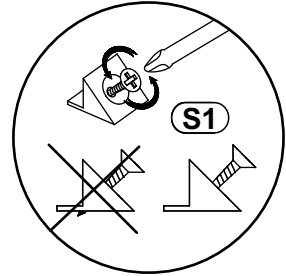
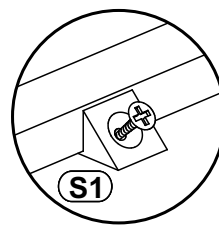
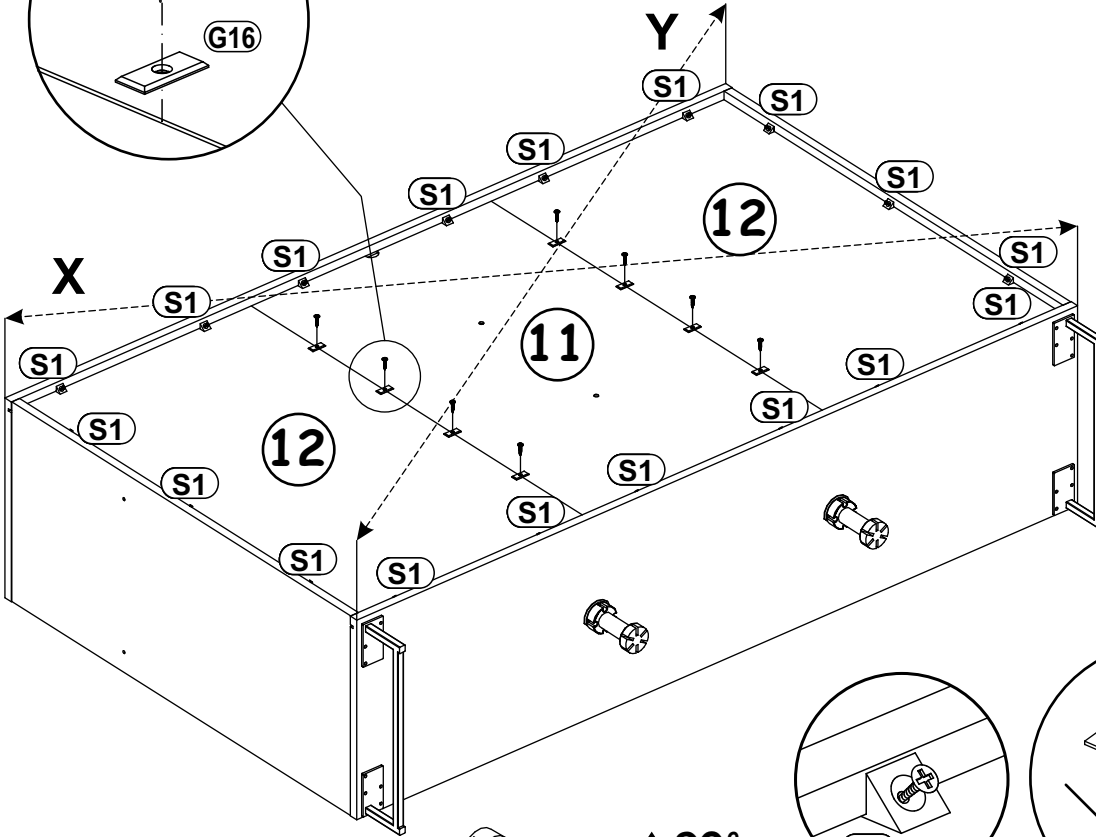
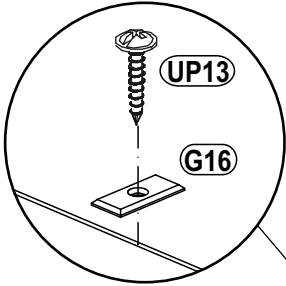
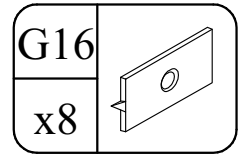
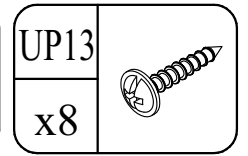
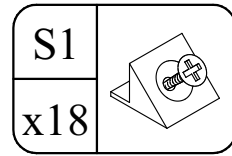
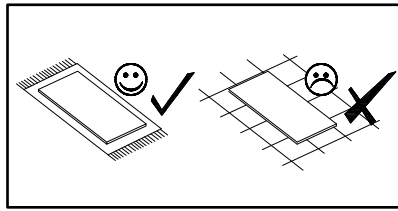


4

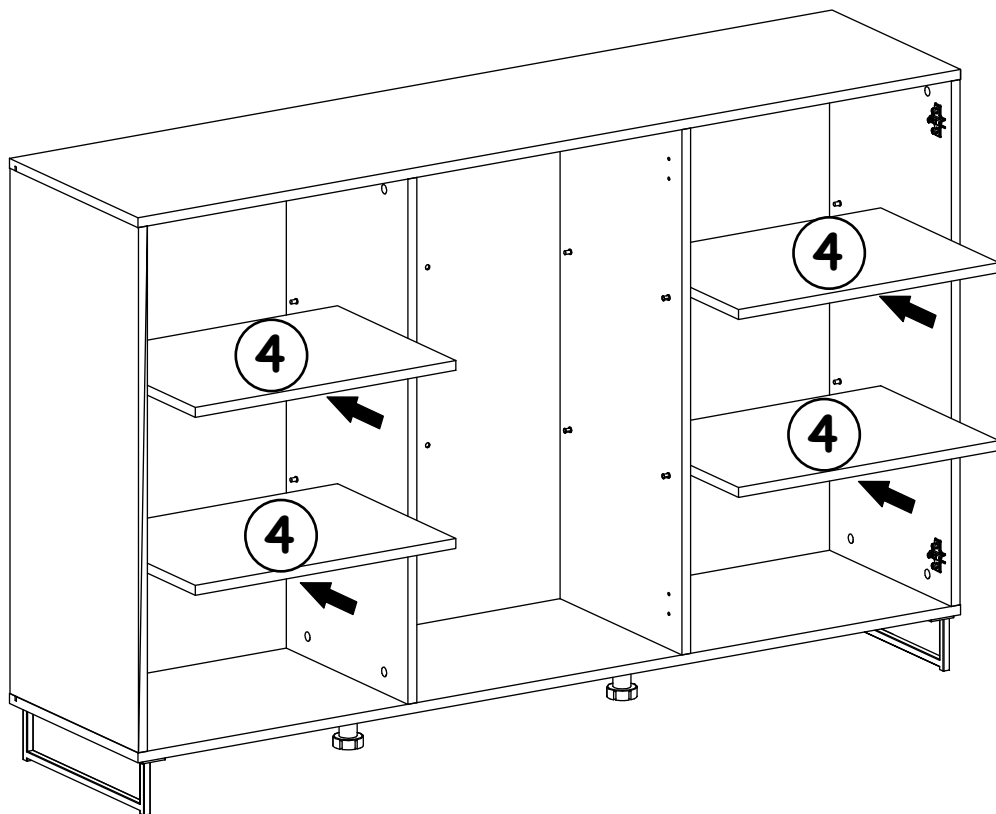
| | |
|-----|---|
| G5 |  |
| x16 | |



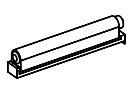
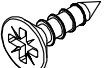
5

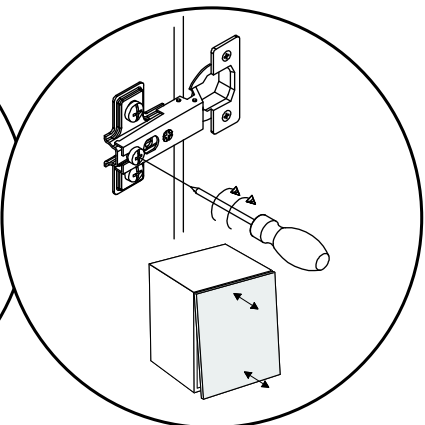
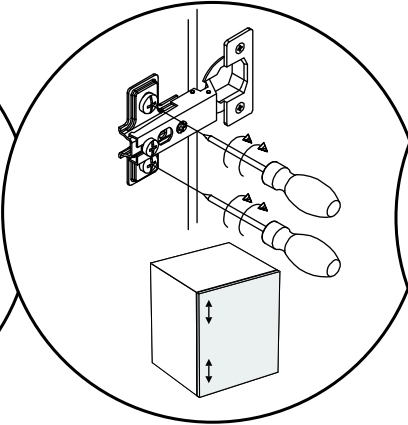
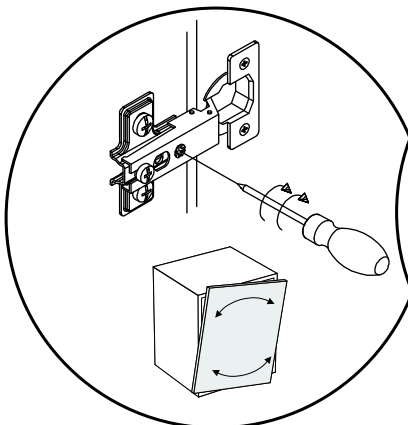
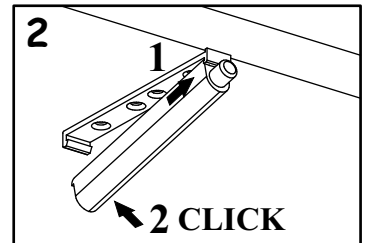
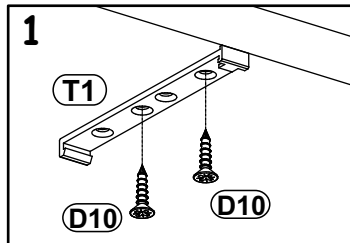
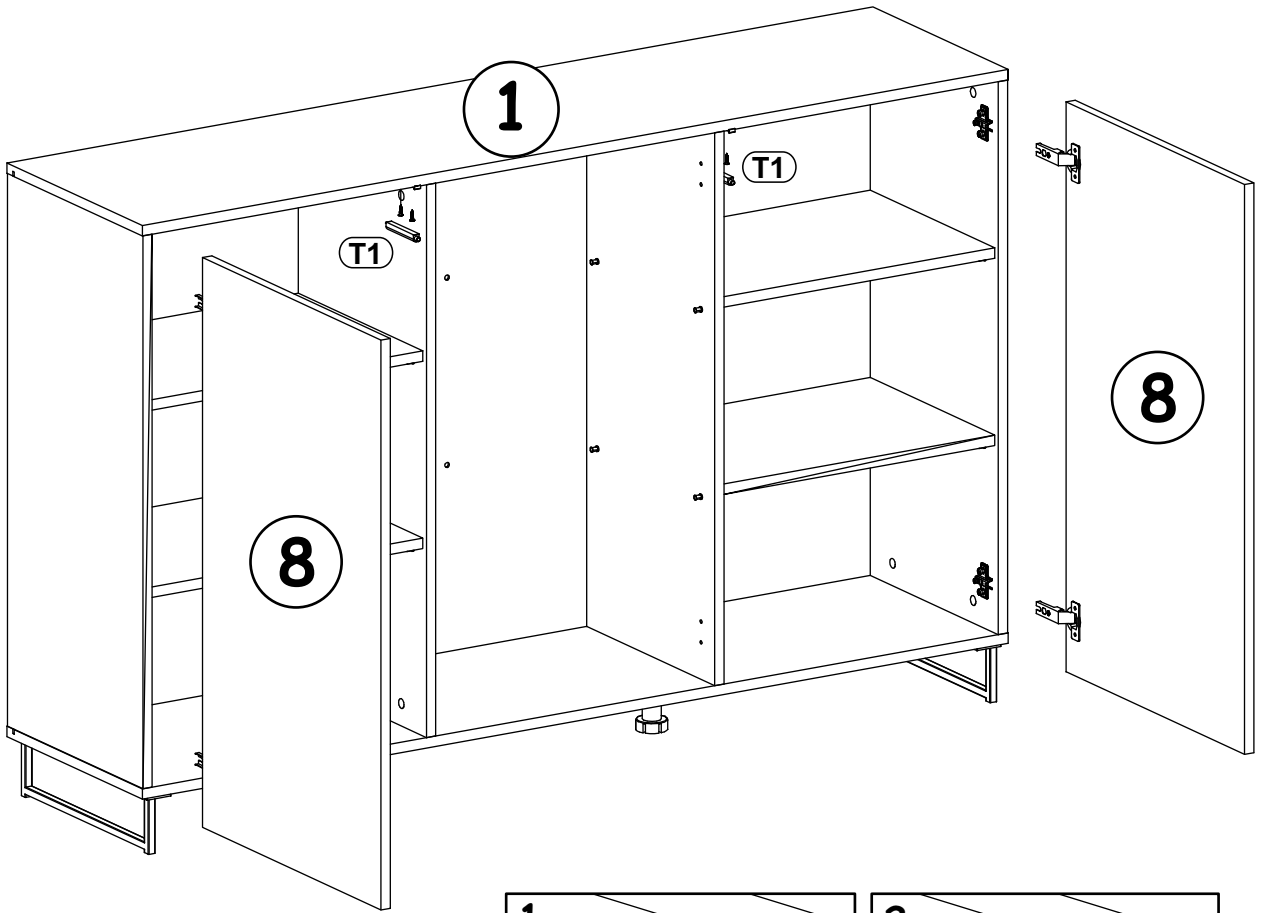


6

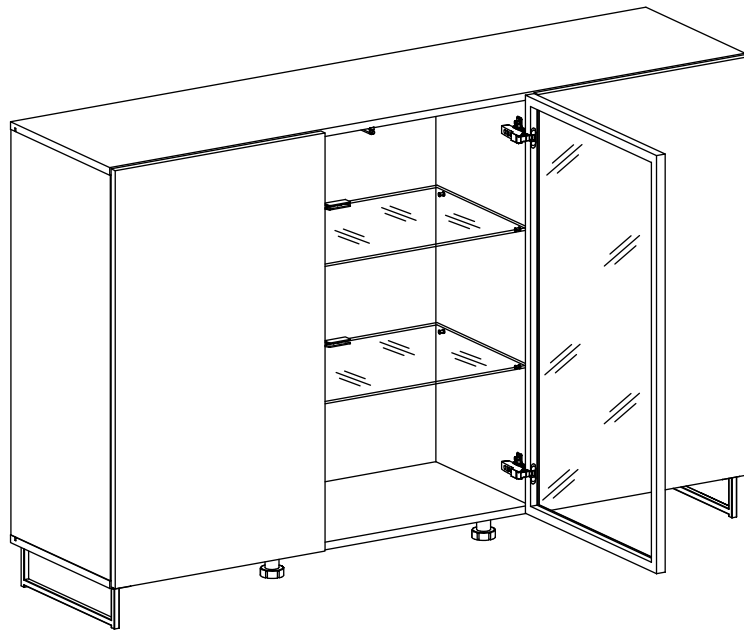


7

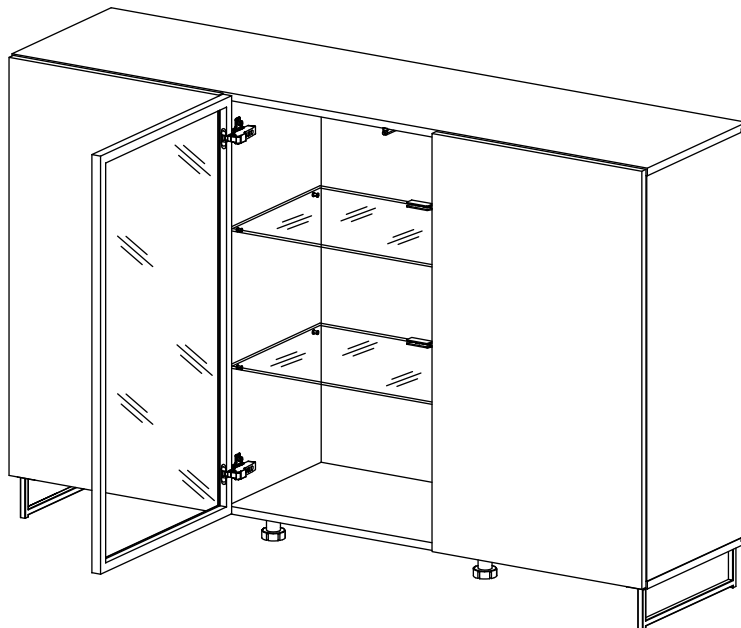
| | | | |
|----|---|-----|---|
| T1 |  | D10 |  |
| x2 | | x4 | USØ3,5x13 |



8 - 11




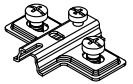
12 - 15

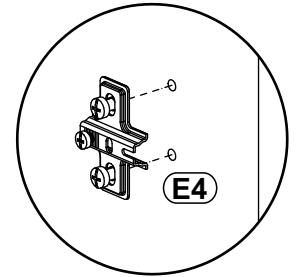
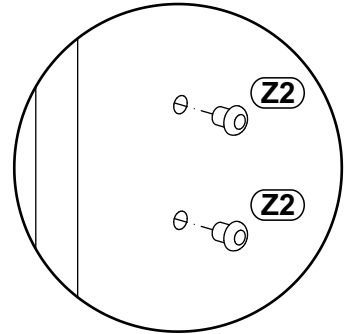
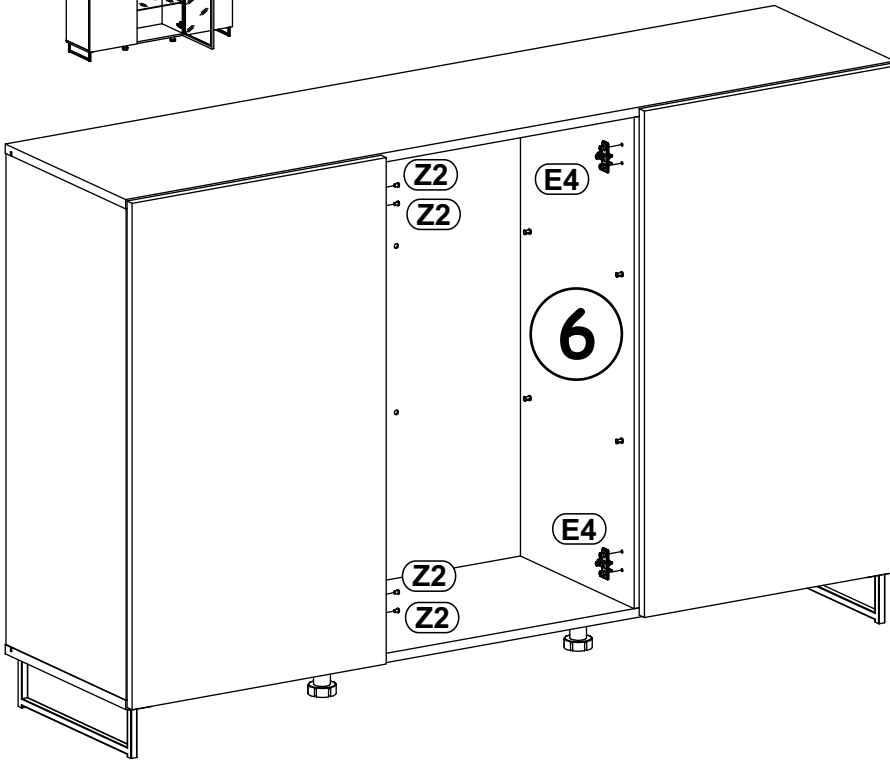


8

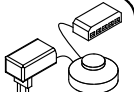


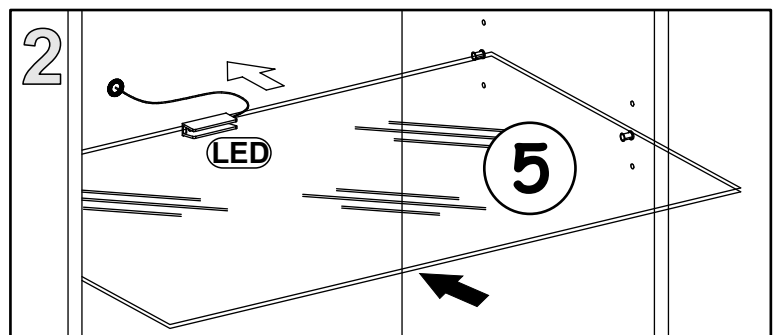
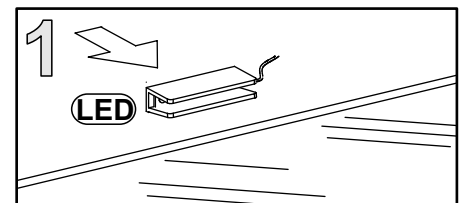
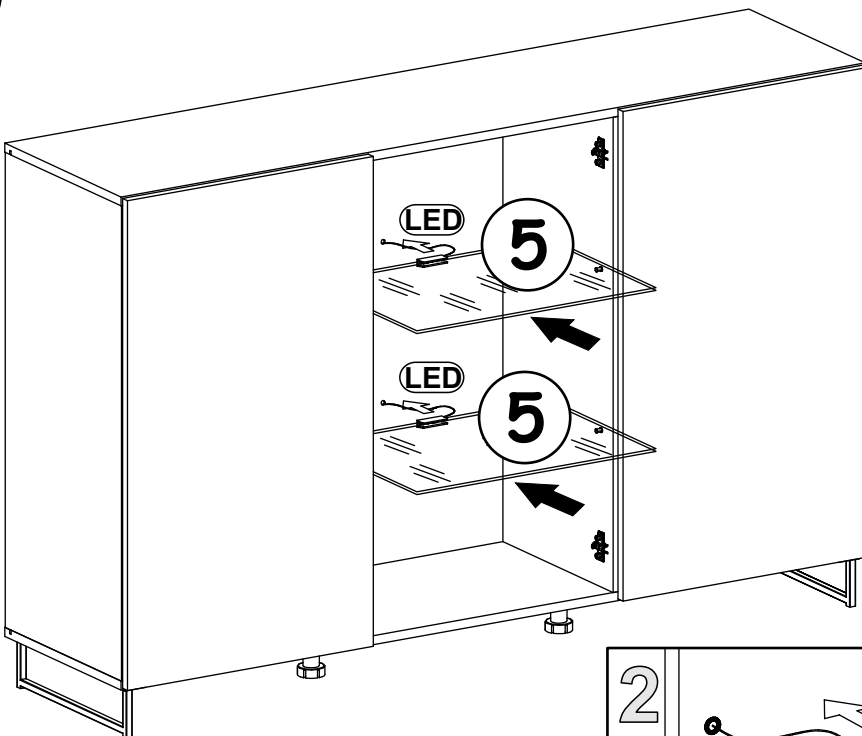
| | |
|----|---|
| Z2 |  |
| x4 | Ø5 |

| | |
|----|---|
| E4 |  |
| x2 | H=2 |

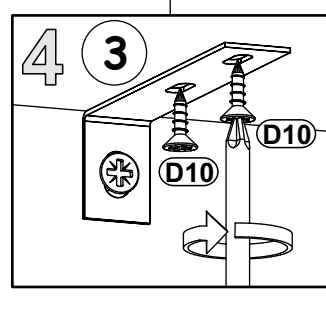
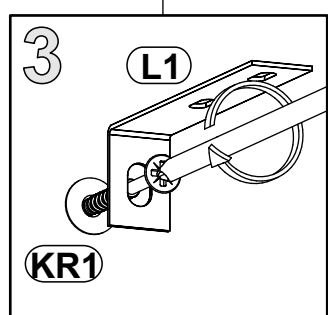
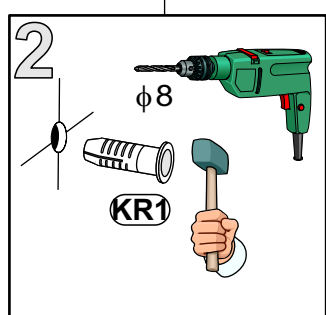
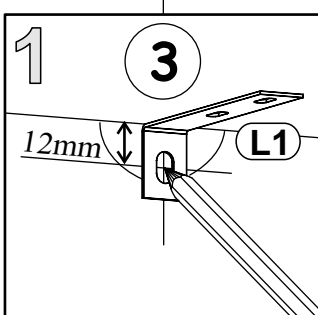
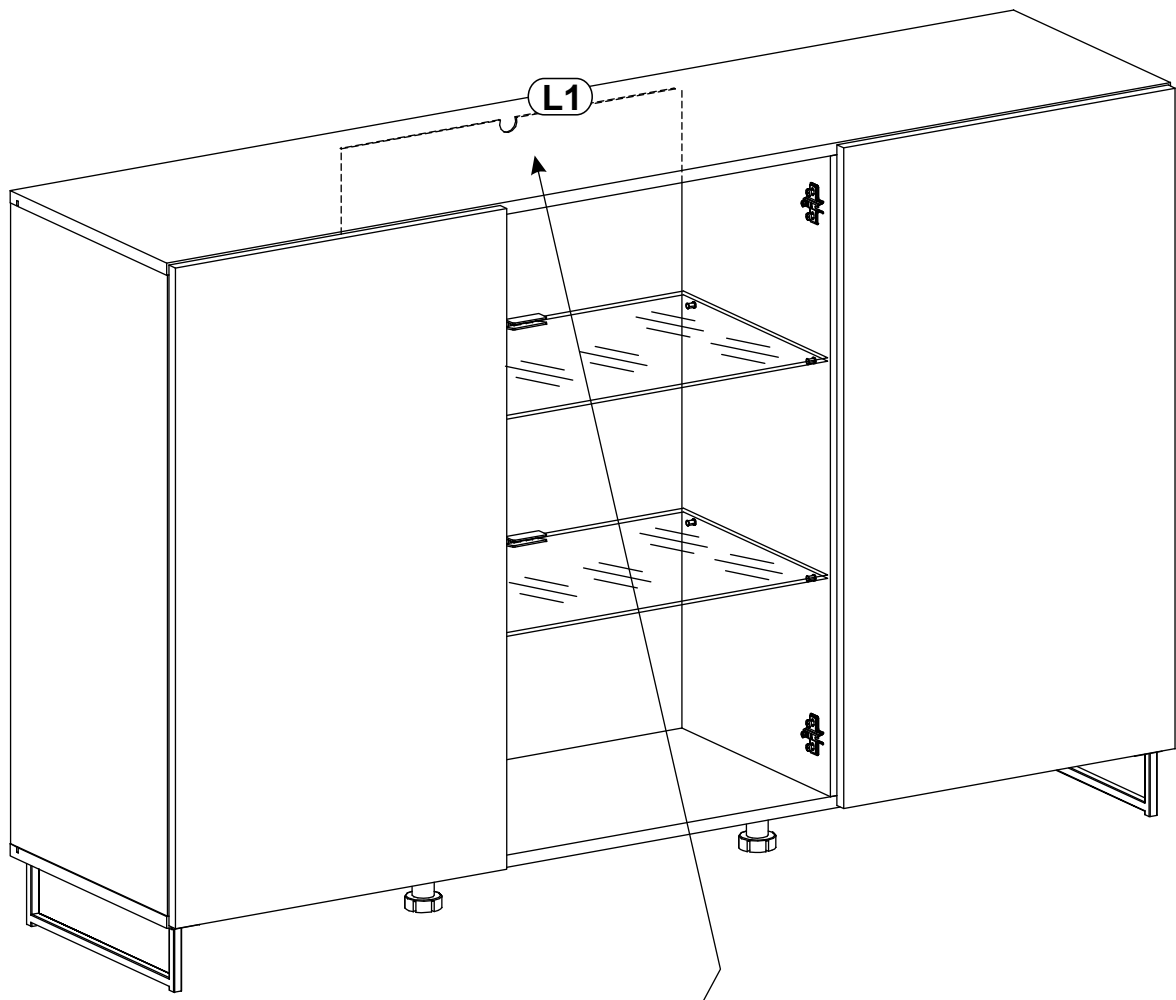
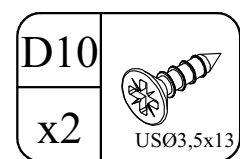
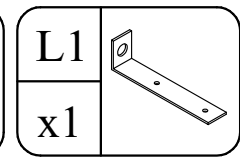
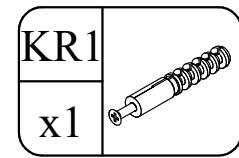
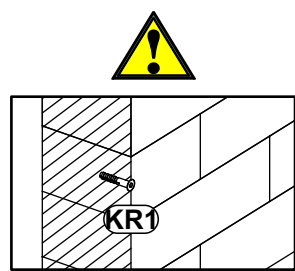
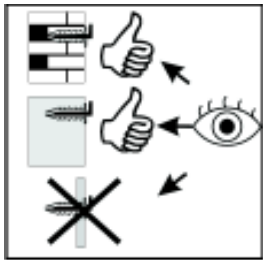


9


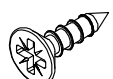
| | |
|-----|---|
| LED |  |
| x1 | x2 |

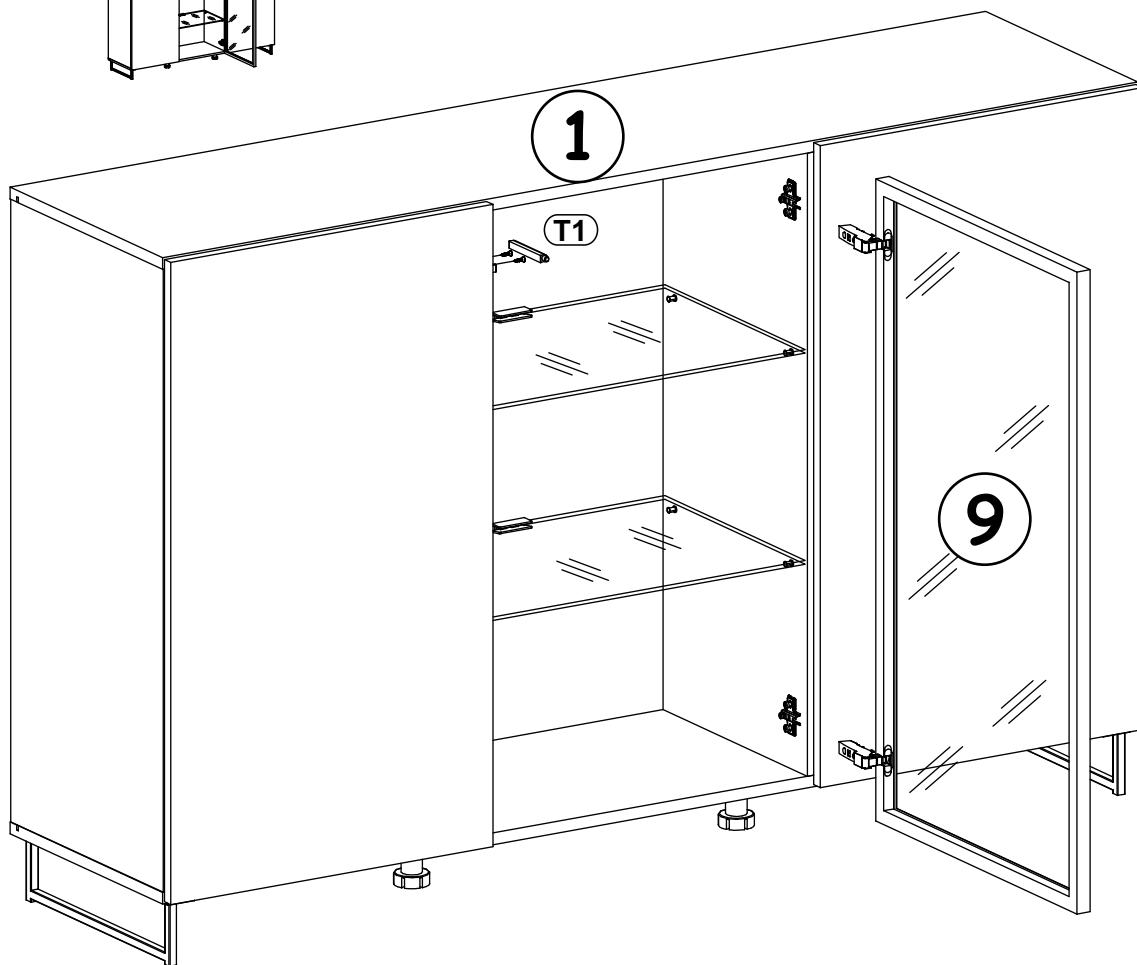


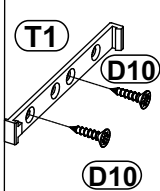
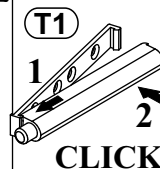
10

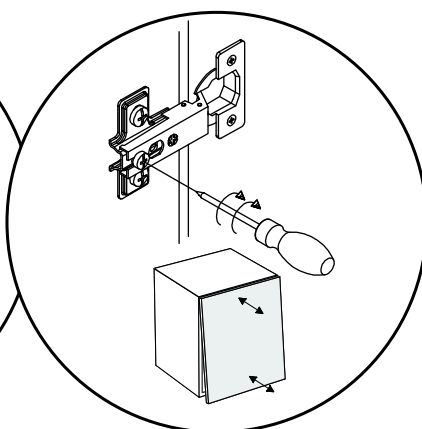
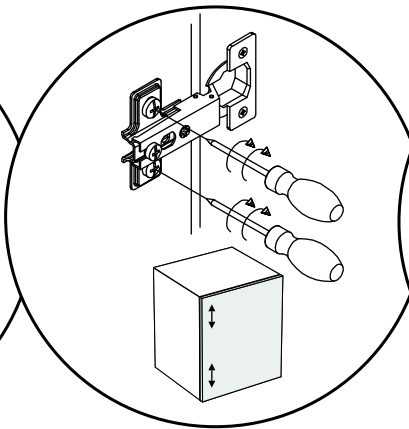
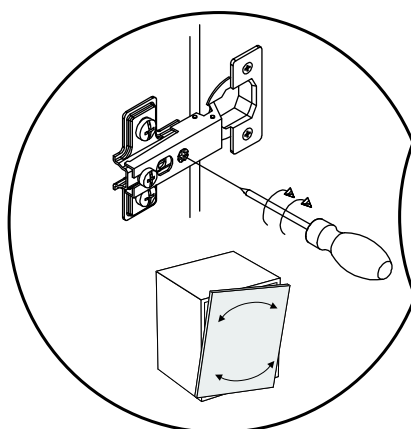


11

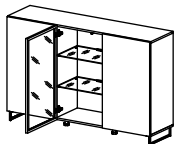
| | | | |
|----|---|-----|---|
| T1 |  | D10 |  |
| x1 | | x2 | USØ3,5x13 |



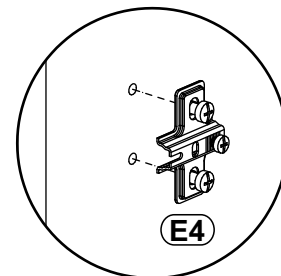
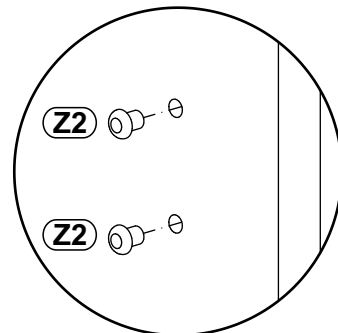
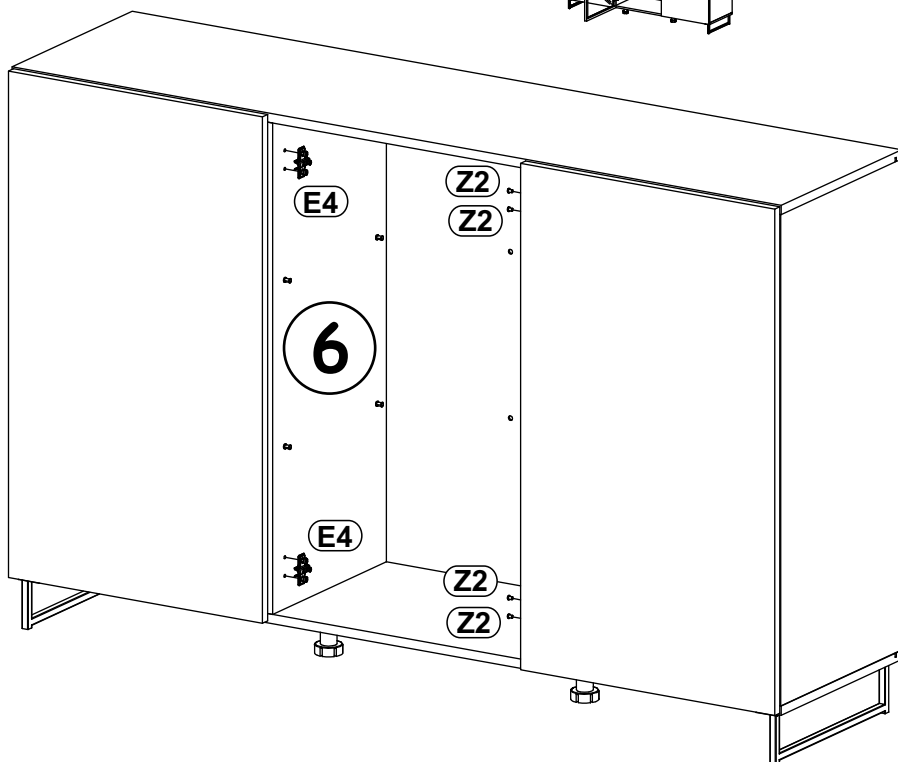
| | |
|---|---|
| 1  | 2  |
|---|---|



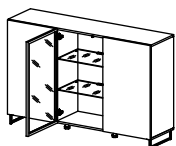
12



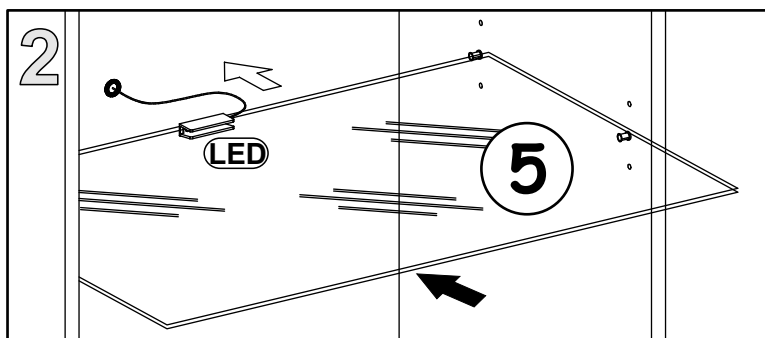
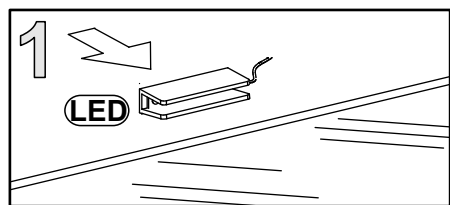
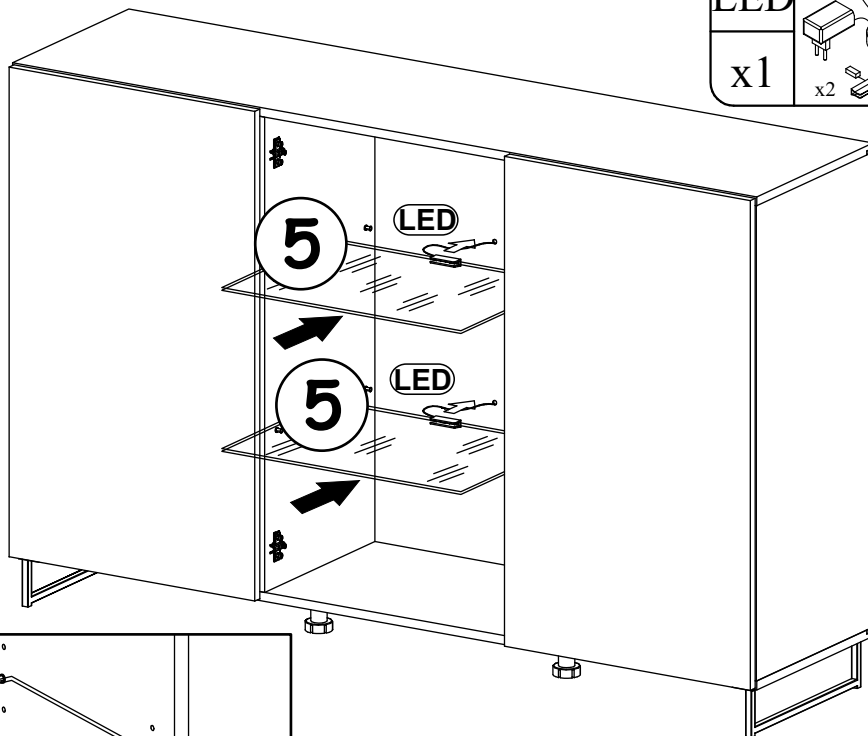
| | | | |
|----|----|----|-----|
| Z2 | | E4 | |
| x4 | Ø5 | x2 | H=2 |



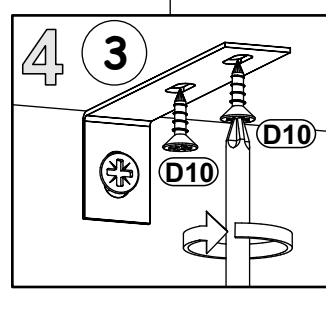
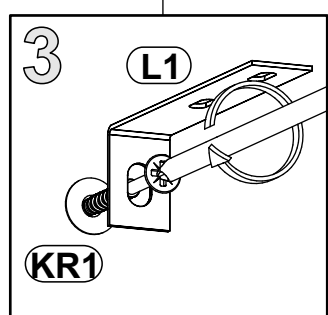
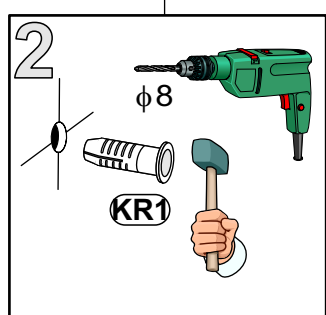
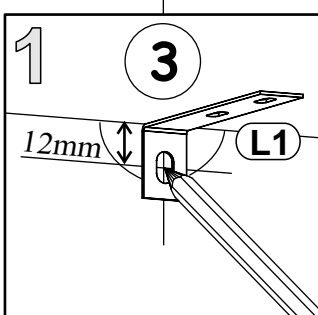
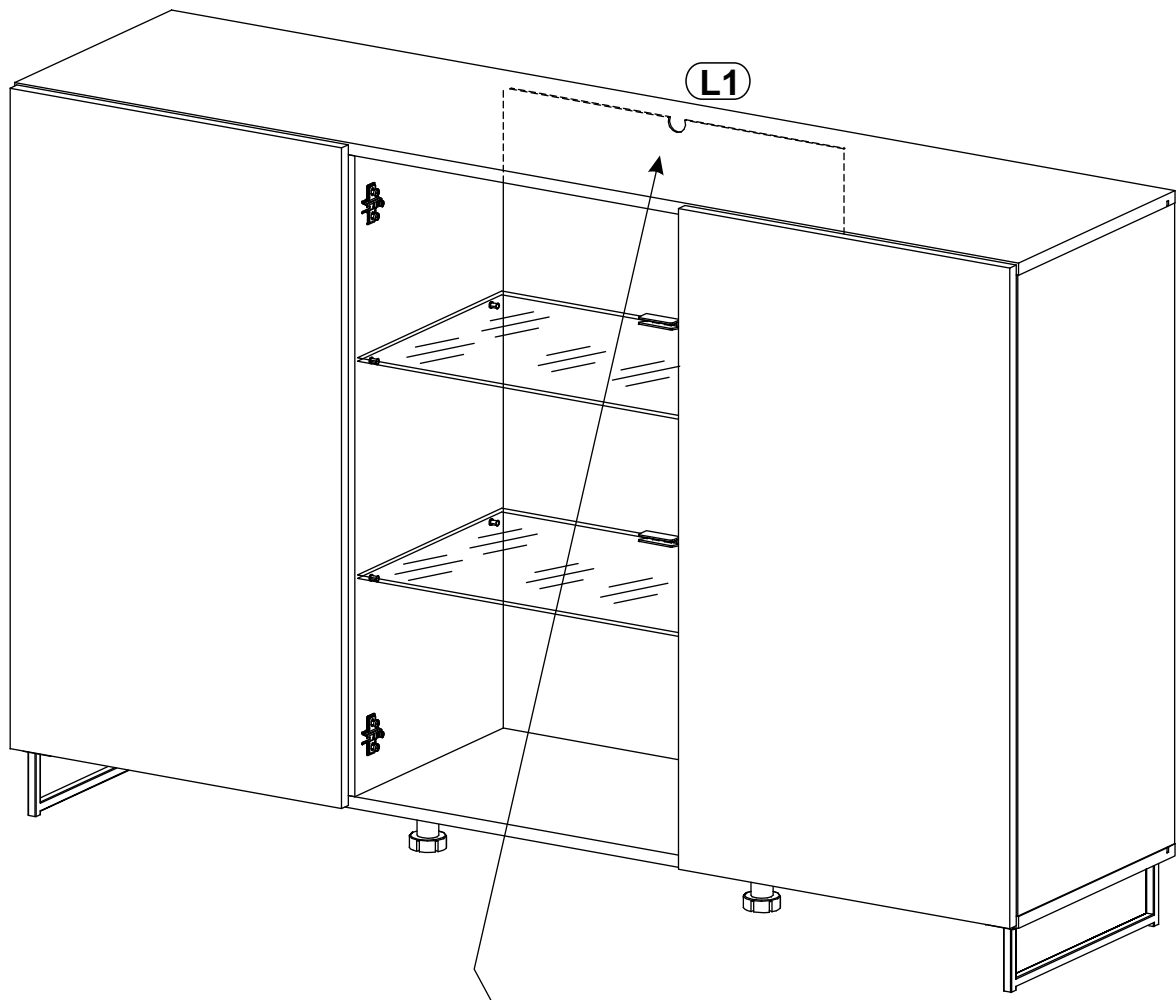
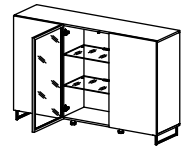
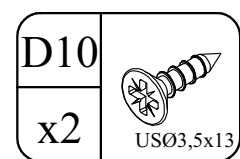
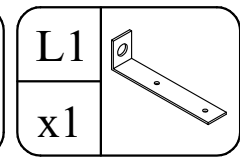
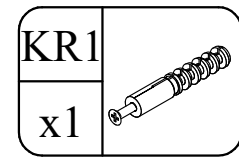
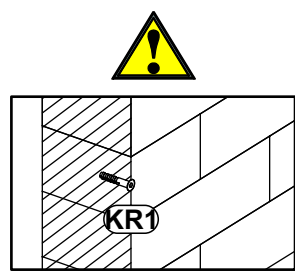
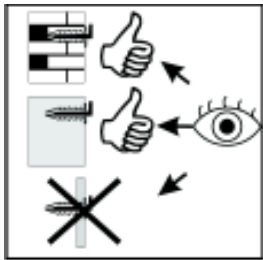
13



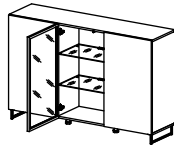
| | |
|-----|----|
| LED | |
| x1 | x2 |



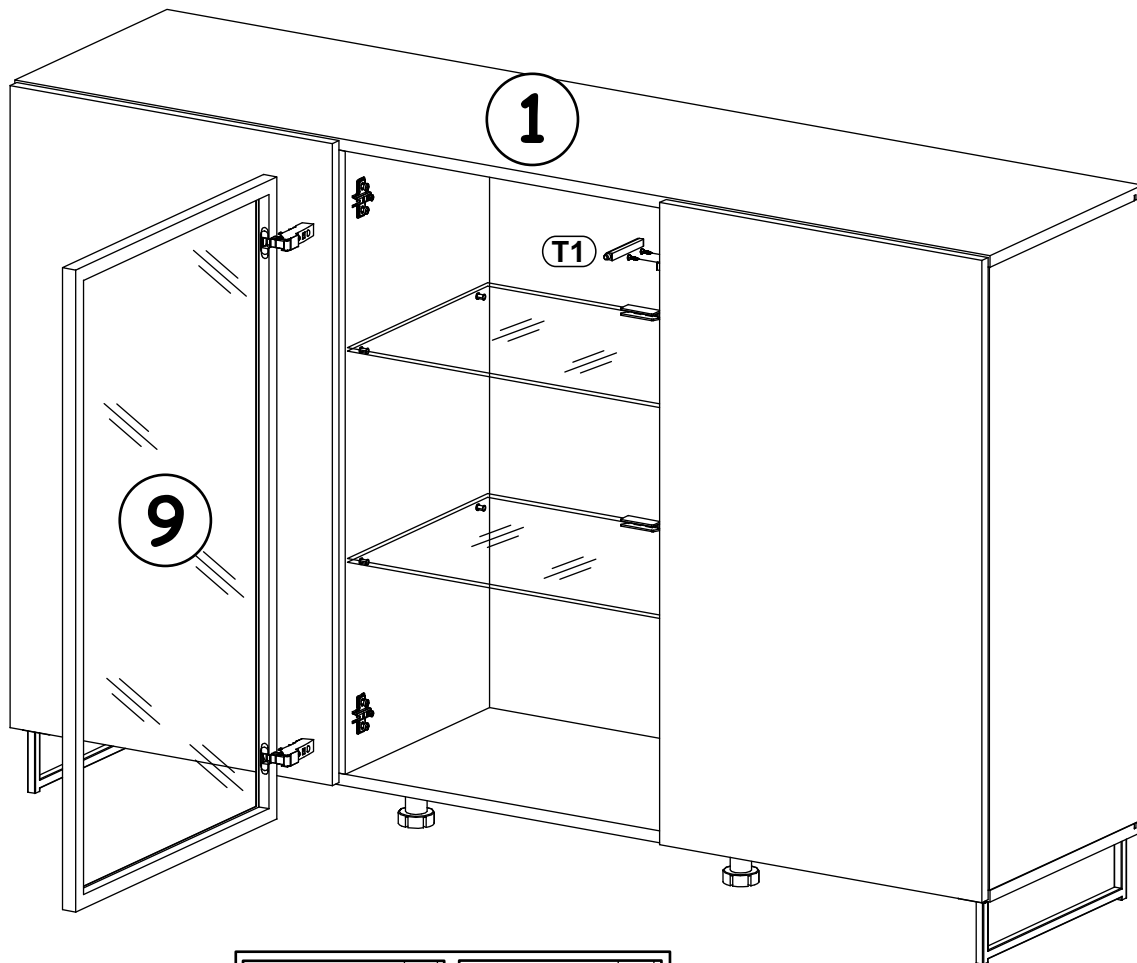
14



15



| | | | |
|----|--|-----|-----------|
| T1 | | D10 | |
| x1 | | x2 | USØ3,5x13 |



| | |
|----------------|----------|
| 2 CLICK | 1 |
| | |
| T1 | T1 |
| | D10 |
| | D10 |

