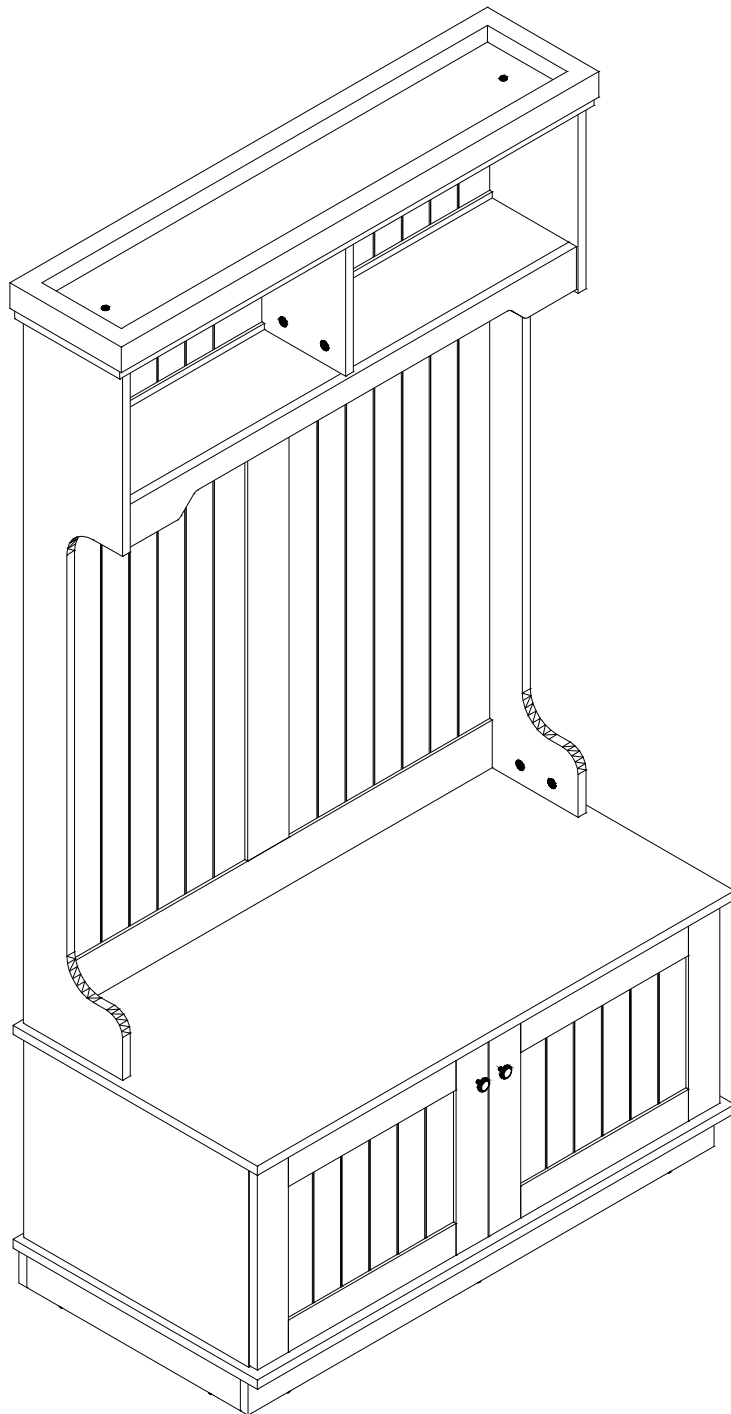
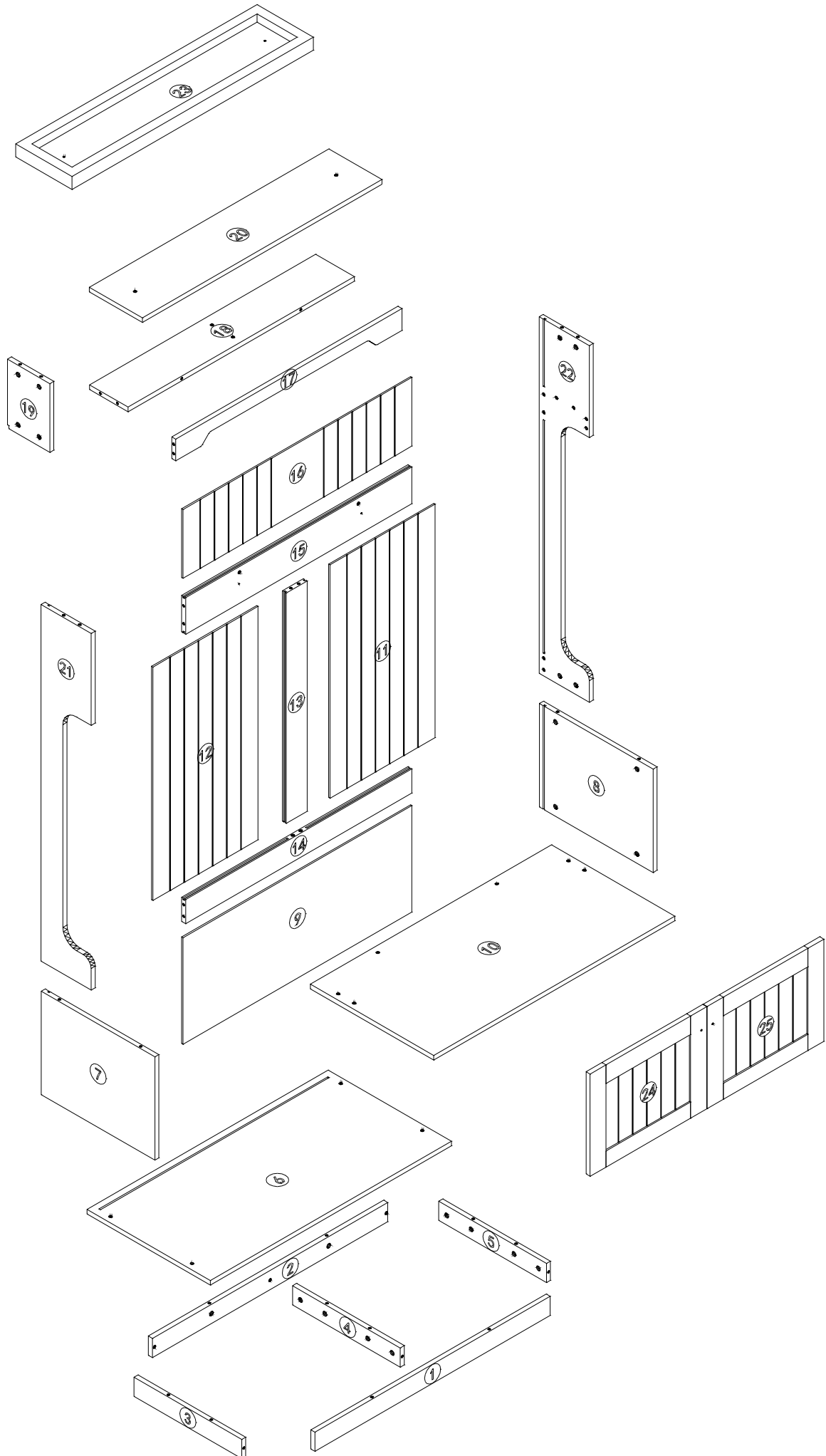


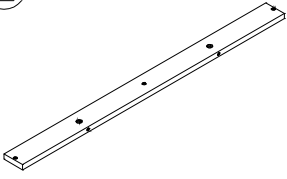
Assembly Instructions



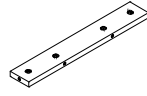


Component List

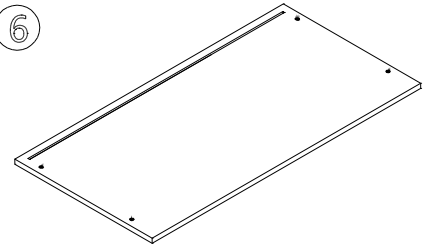
①②



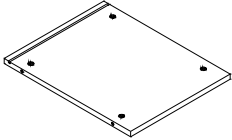
③④⑤



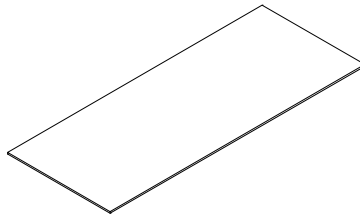
⑥



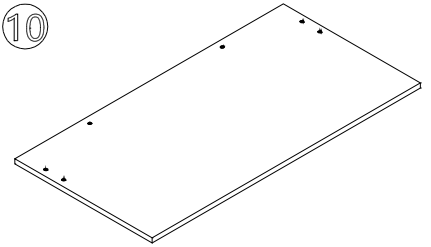
⑦⑧



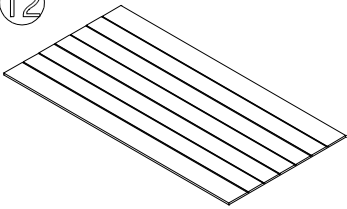
⑨



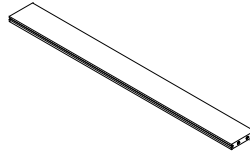
⑩



⑪⑫

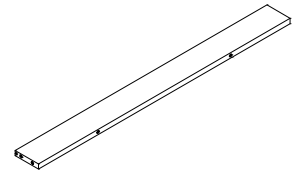


⑬



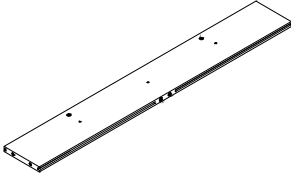
×1

⑭

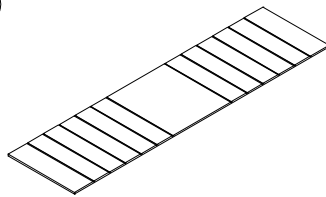


×1

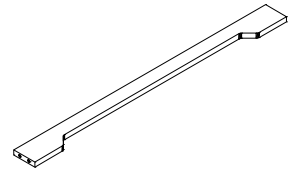
⑮



⑯

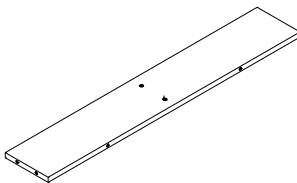


⑰



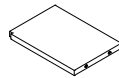
×1

⑱

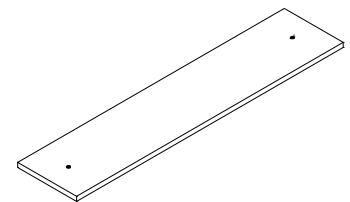


×1

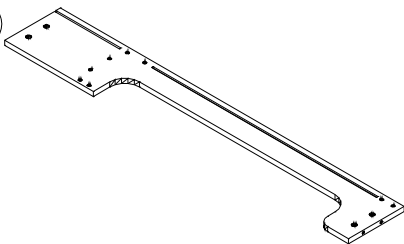
⑲



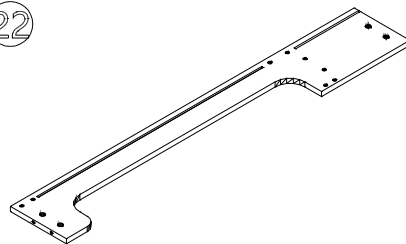
⑳



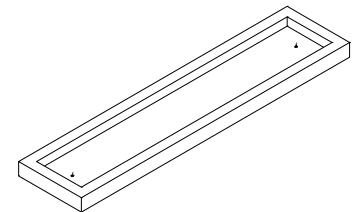
㉑



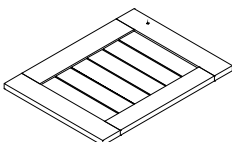
㉒



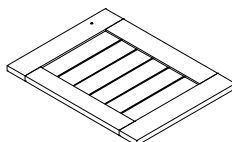
㉓



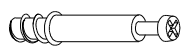
㉔



㉕



X 66



(A)

6*33mm

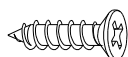
X 66



(B)

ø5*10mm

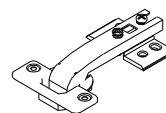
X 32



(C)

ø4*12mm

X 4



(D)

ø35mm

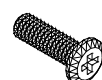
X 2



(E)

ø4*20mm

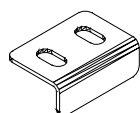
X 2



(F)

ø6*20mm

X 1



(G)

X 3



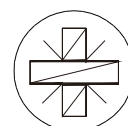
(H)

X 2

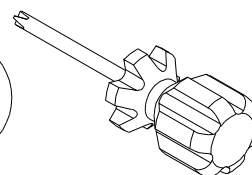


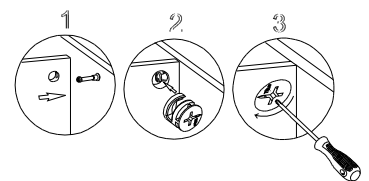
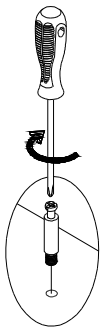
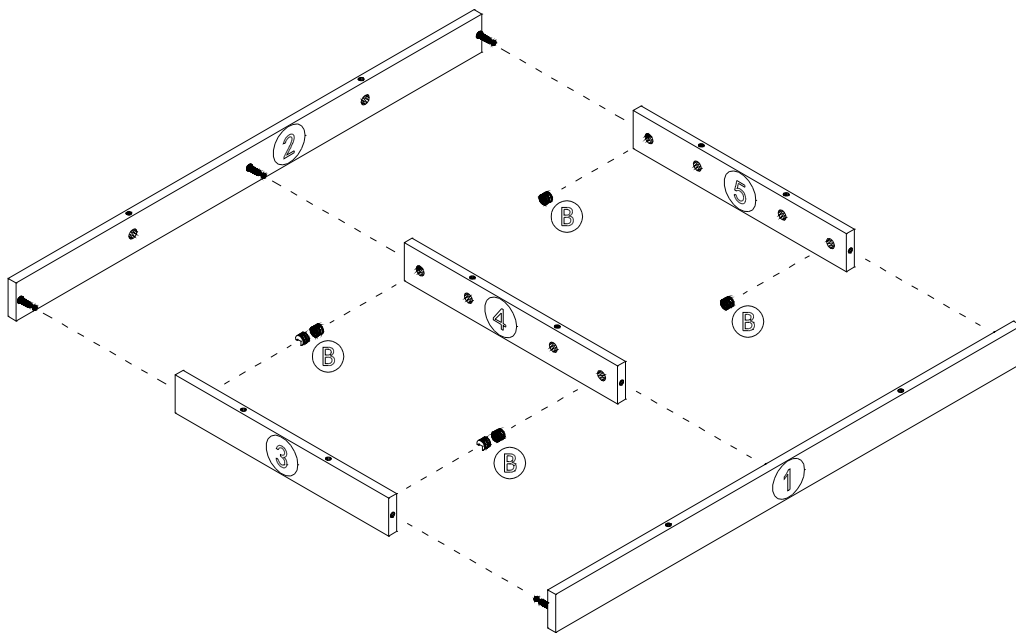
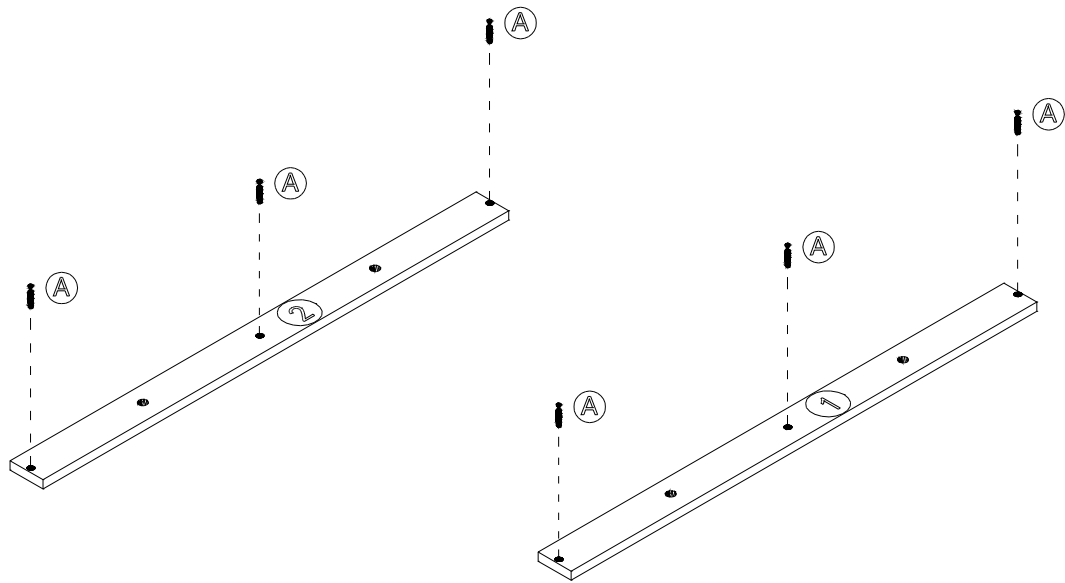
(I)

X 1



(J)





(A)

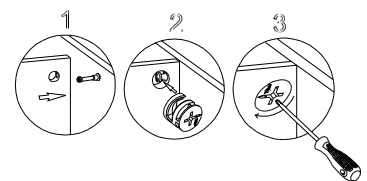
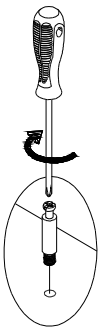
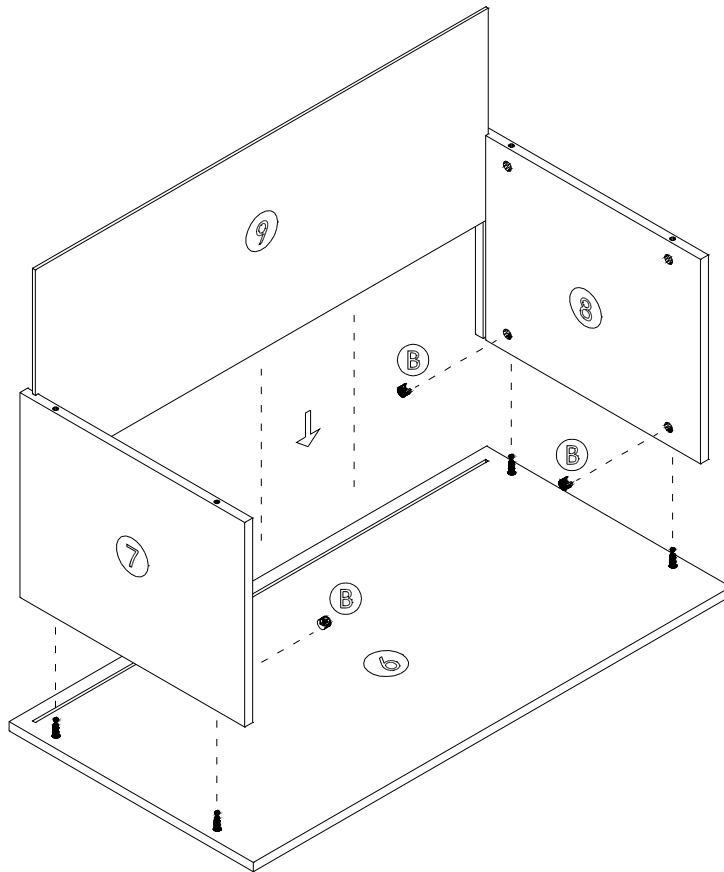
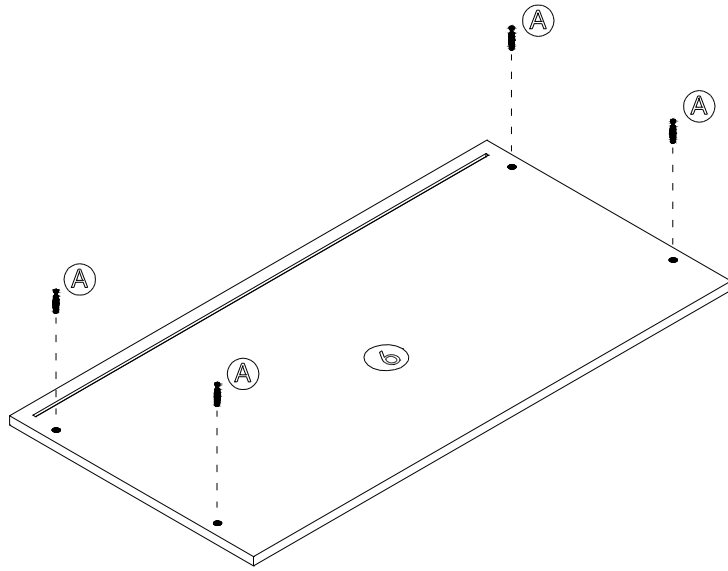


[× 6]

(B)



[× 6]



A

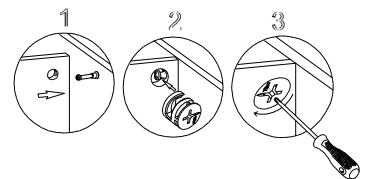
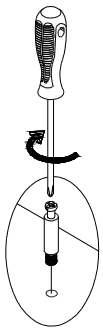
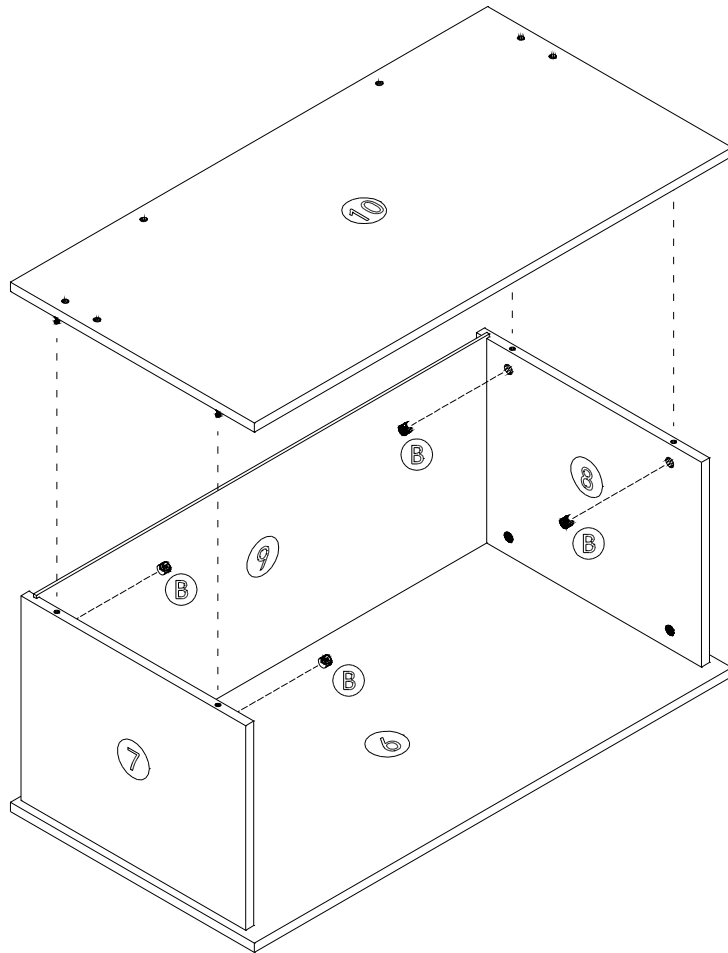
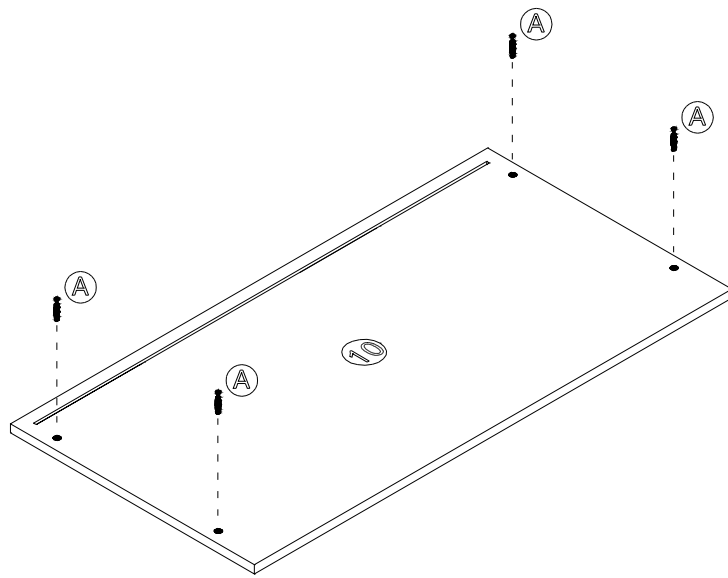


[× 4]

B



[× 4]



(A)

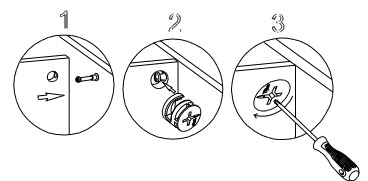
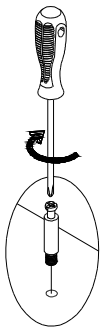
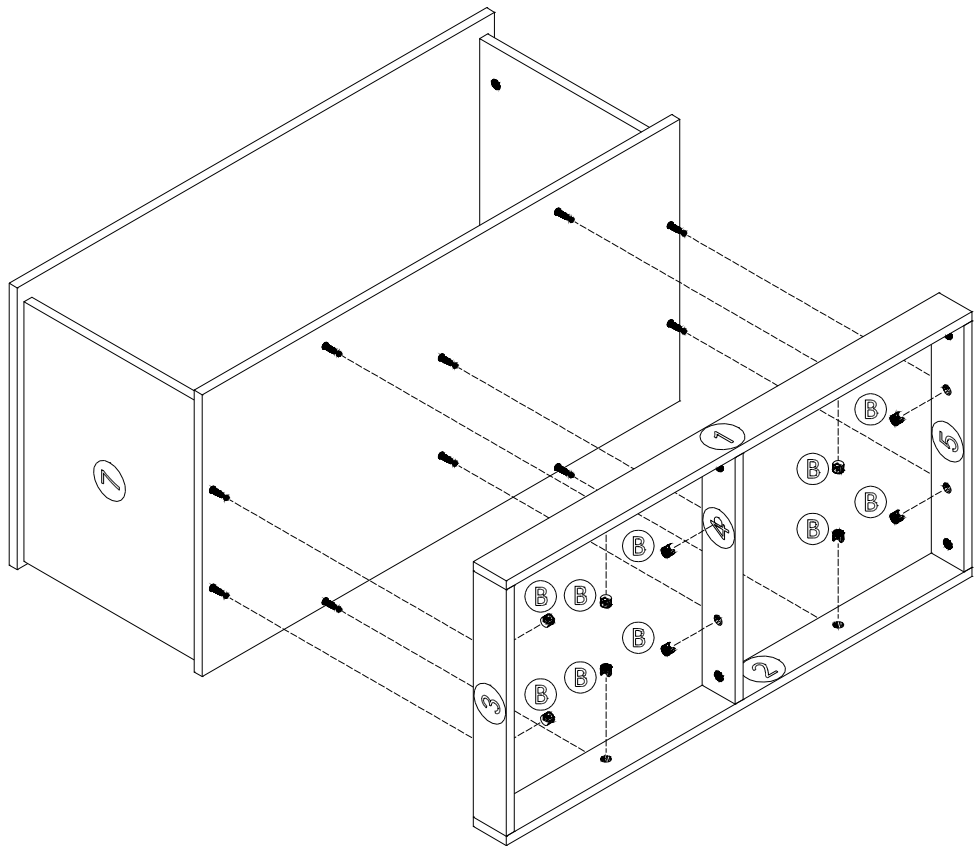
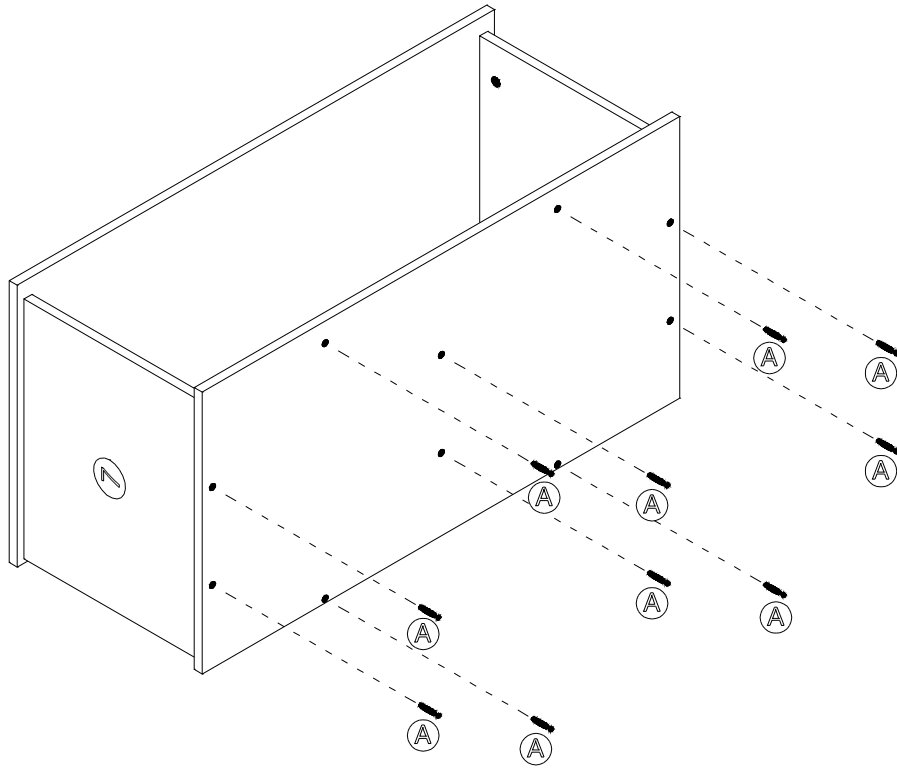


[× 4]

(B)



[× 4]



A

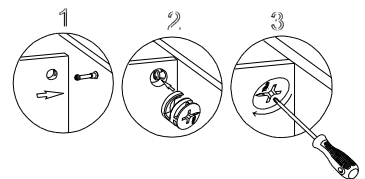
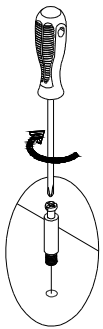
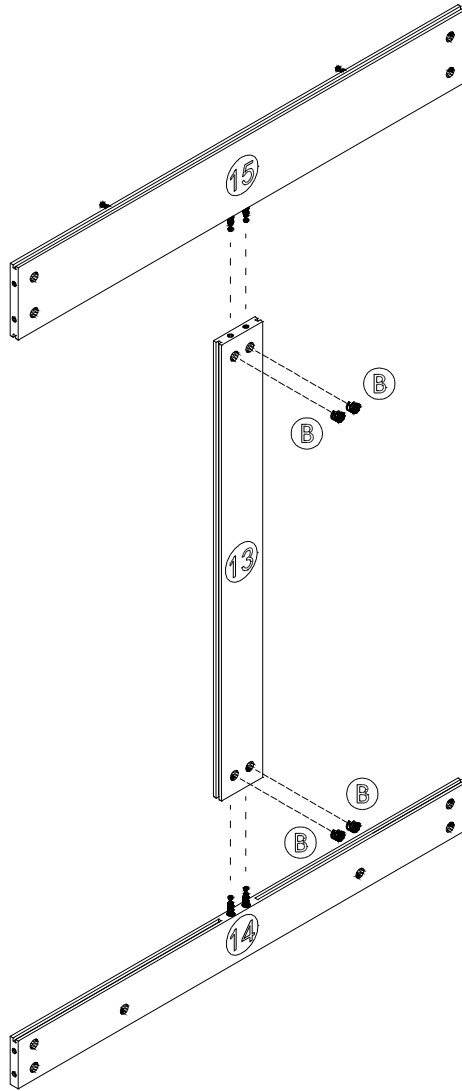
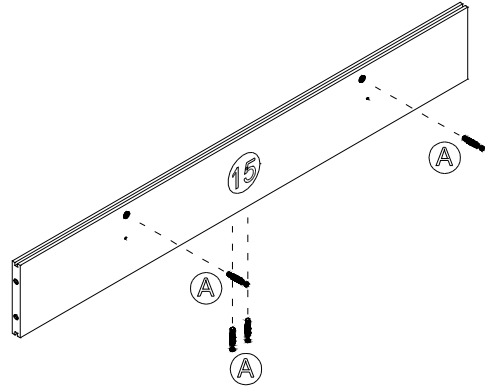
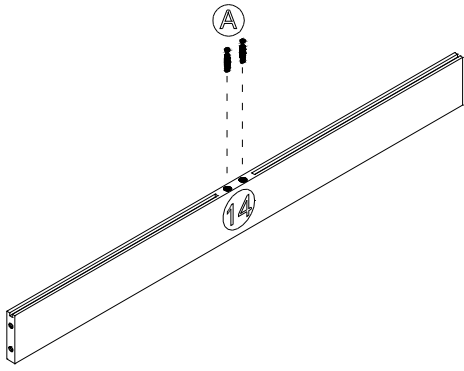


[× 10]

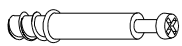
B



[× 10]



(A)

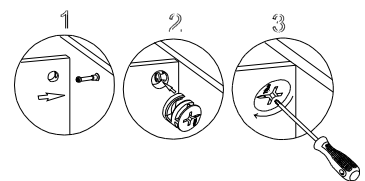
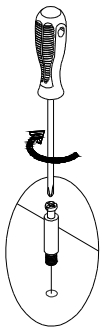
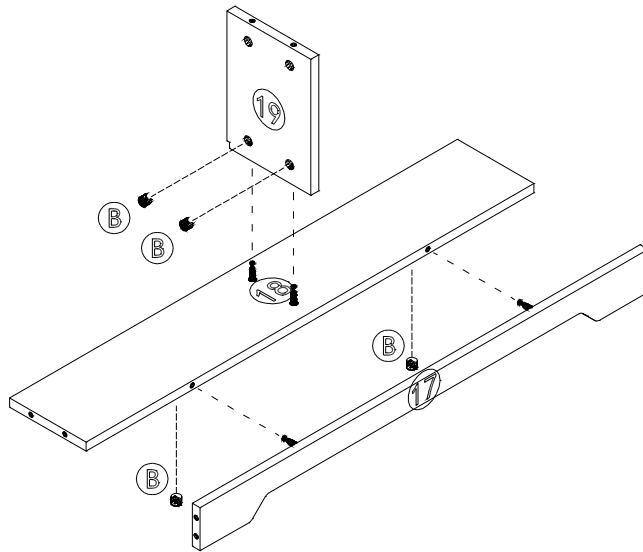
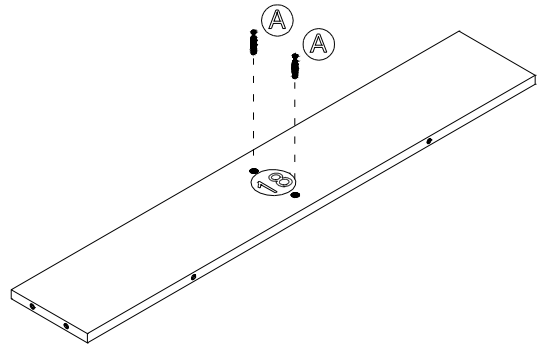
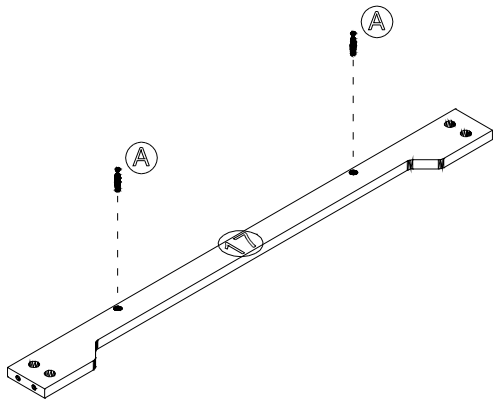


[× 6]

(B)



[× 4]



A

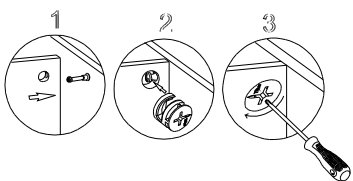
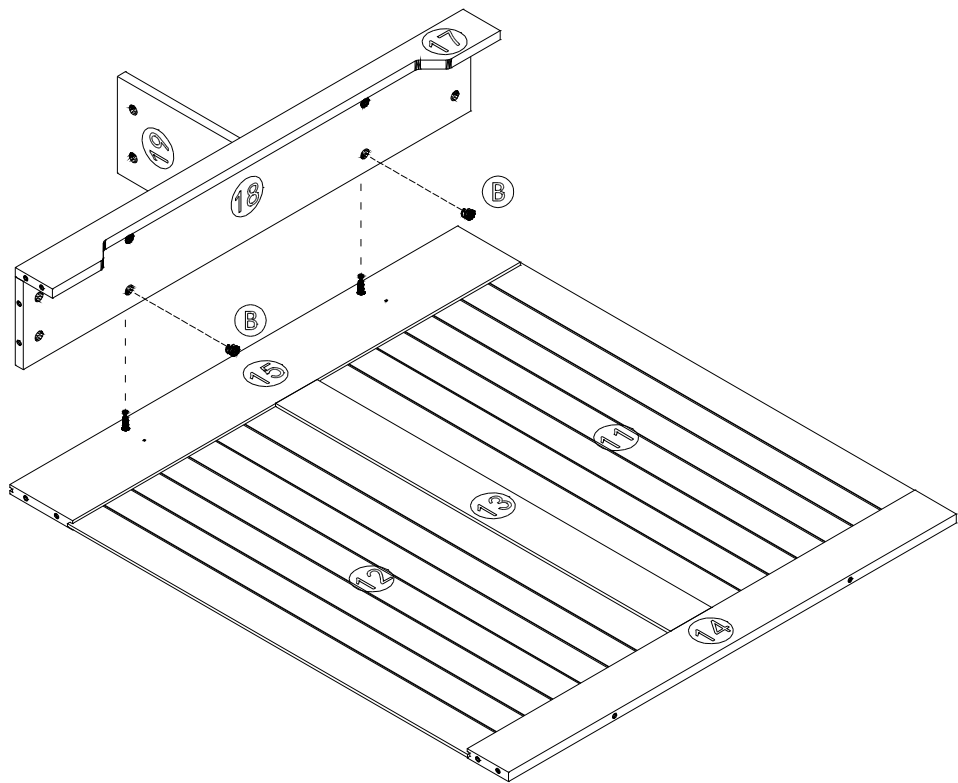


[× 4]

B



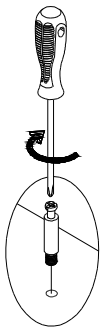
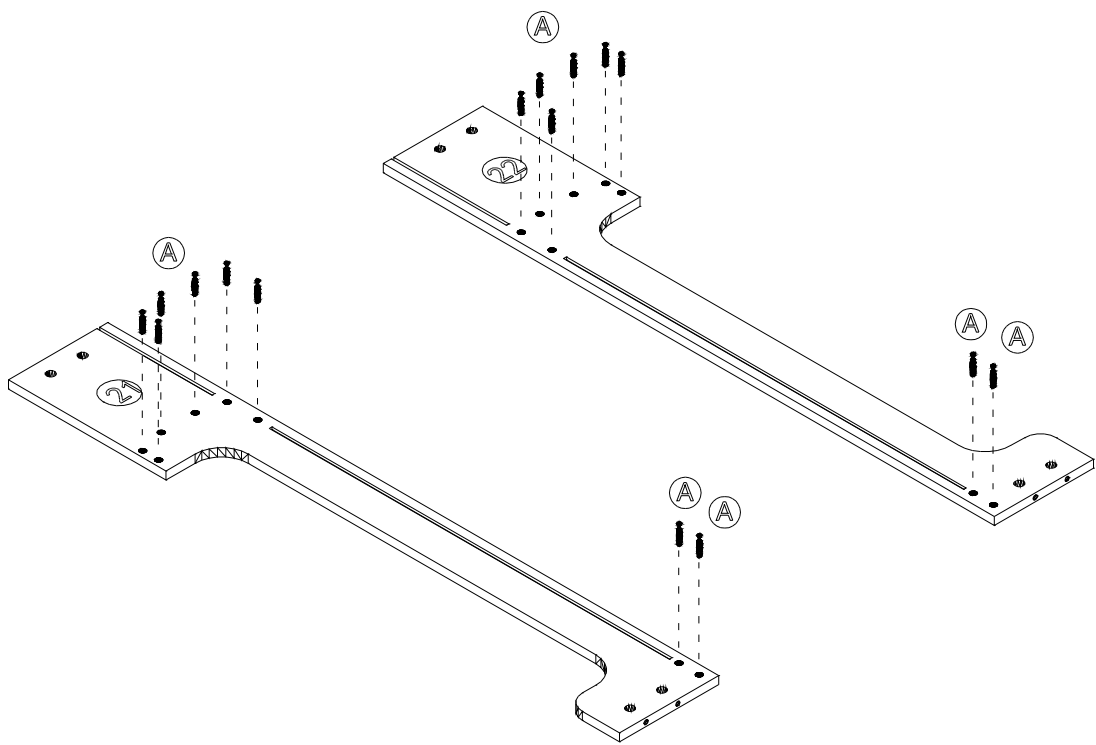
[× 4]



(B)



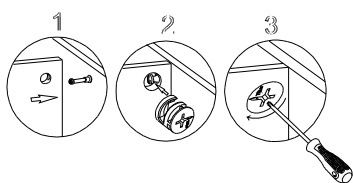
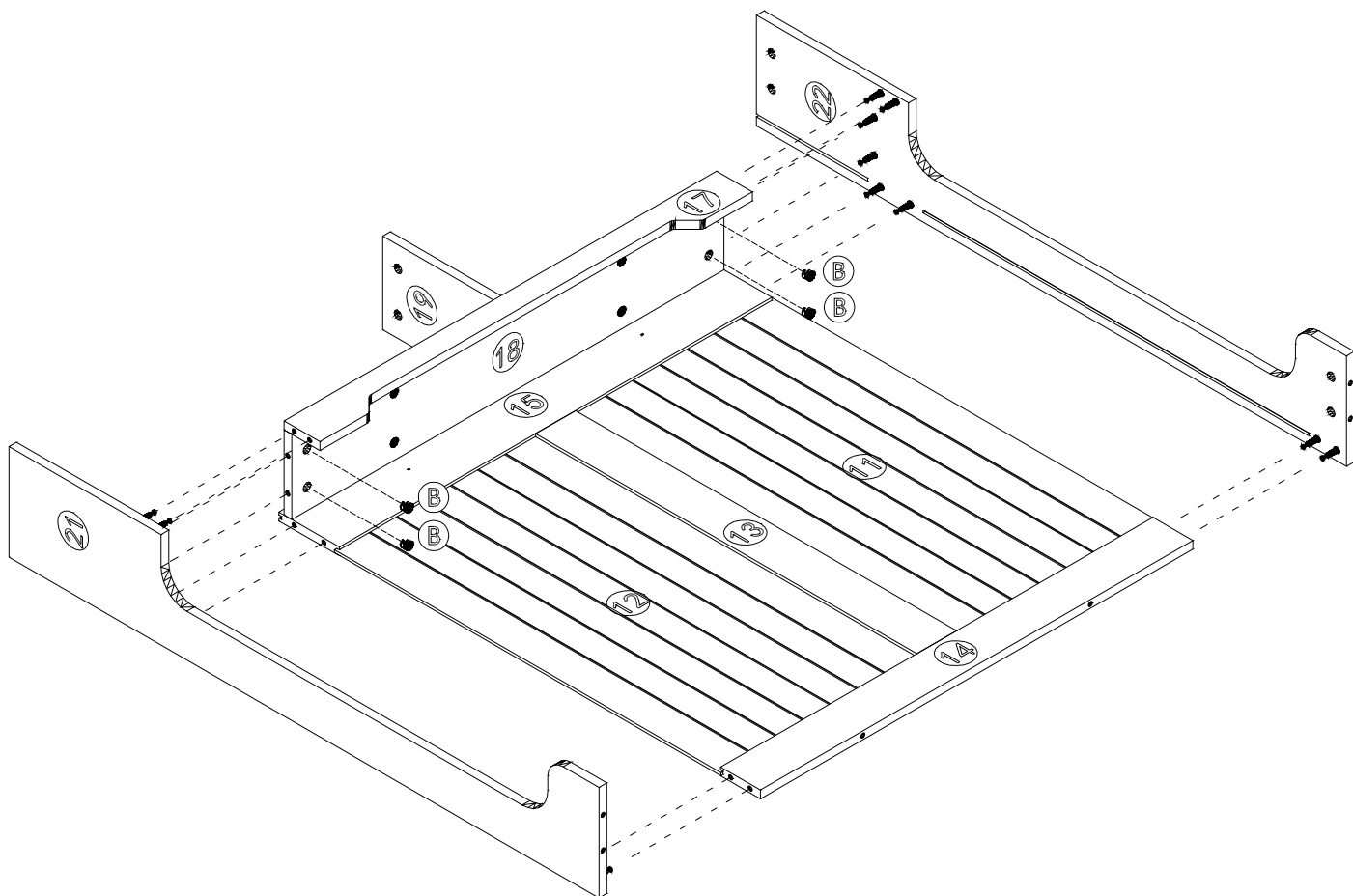
[X2]



A



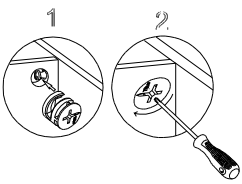
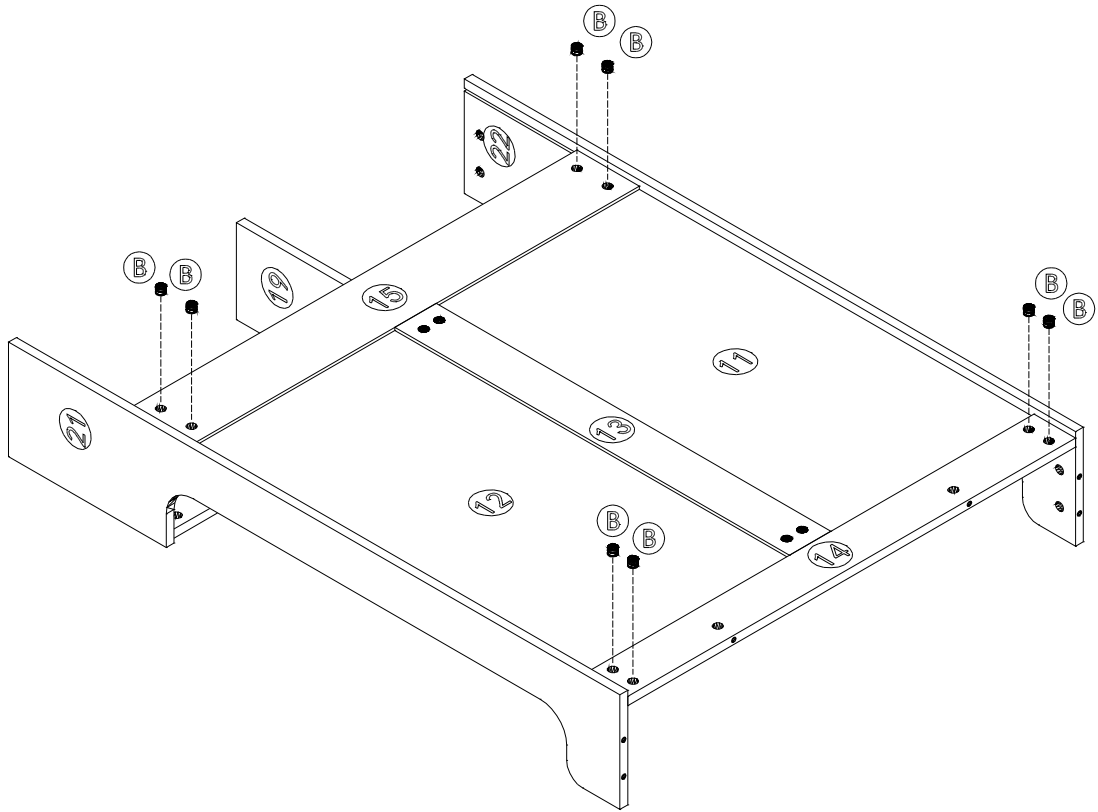
[× 16]



(B)



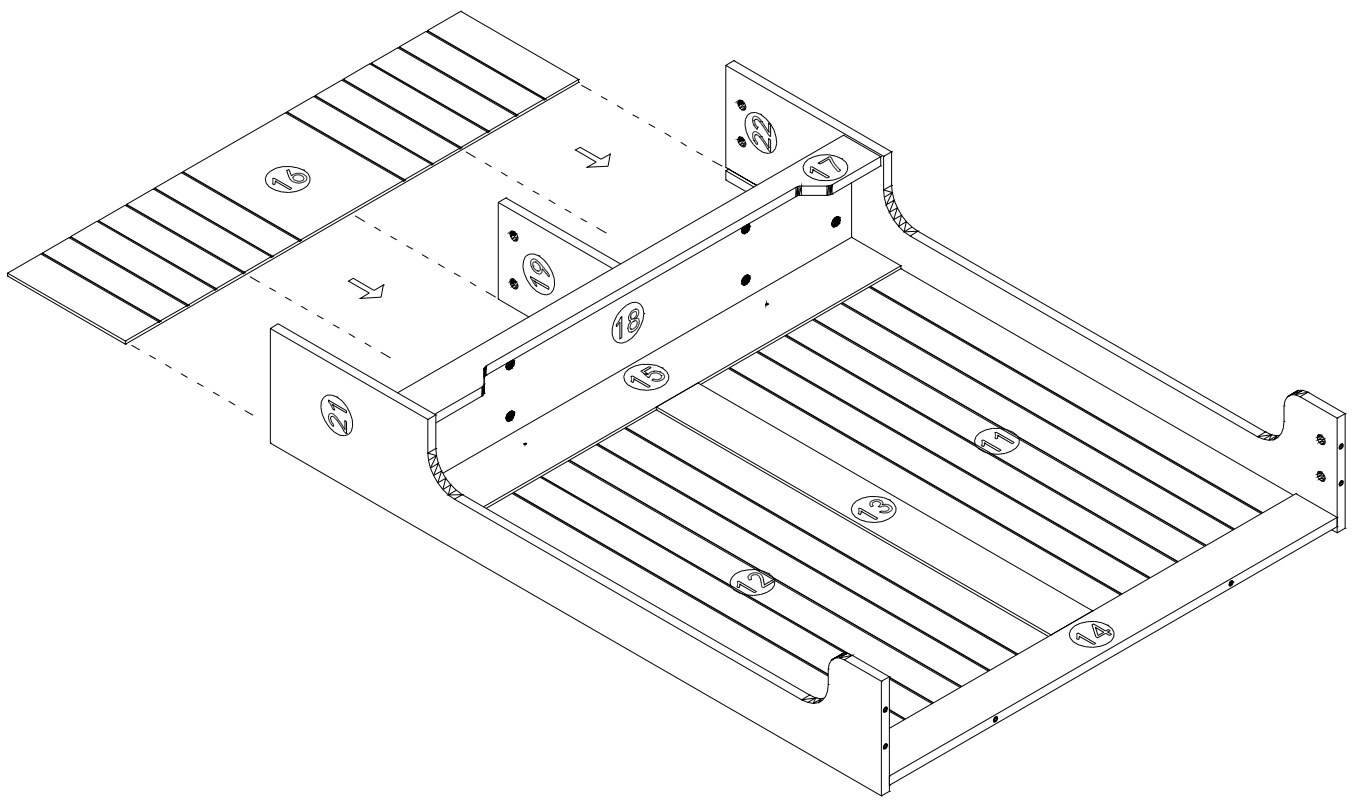
[X4]

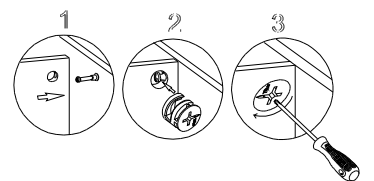
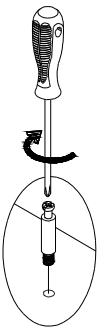
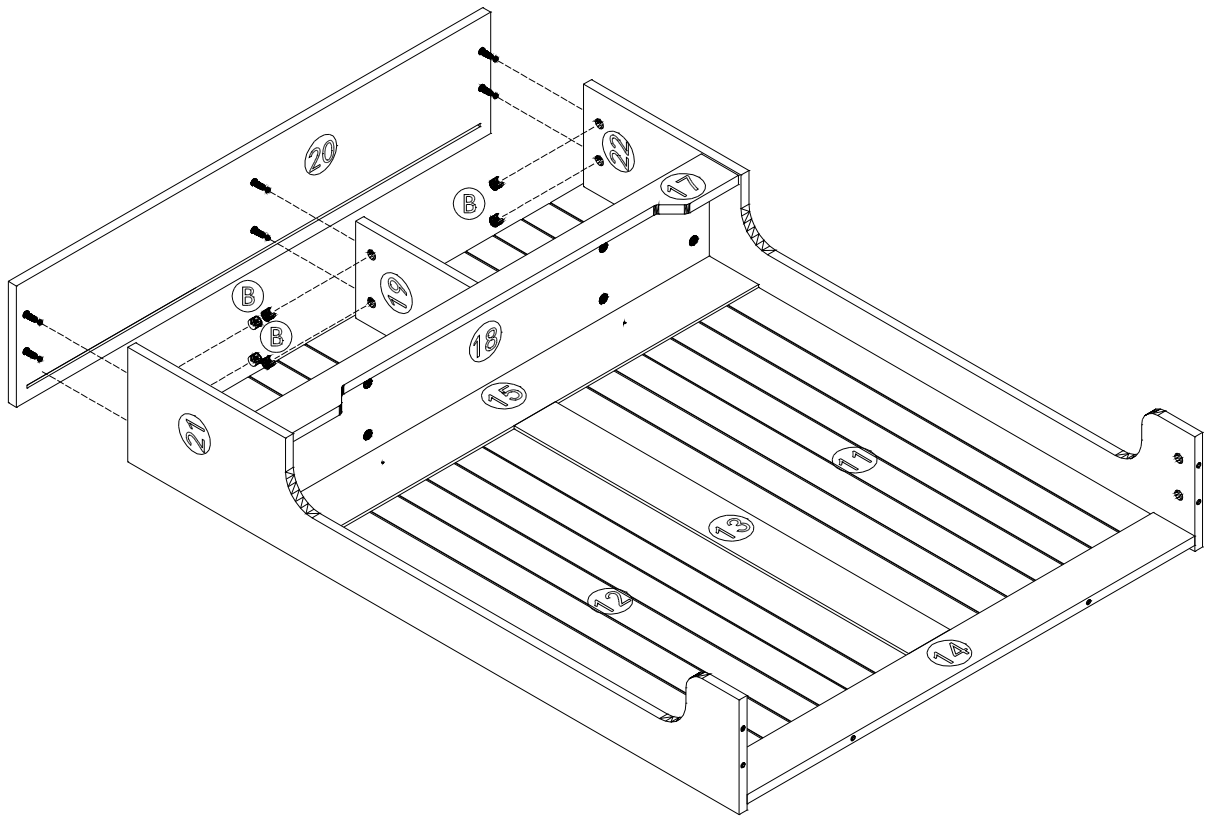
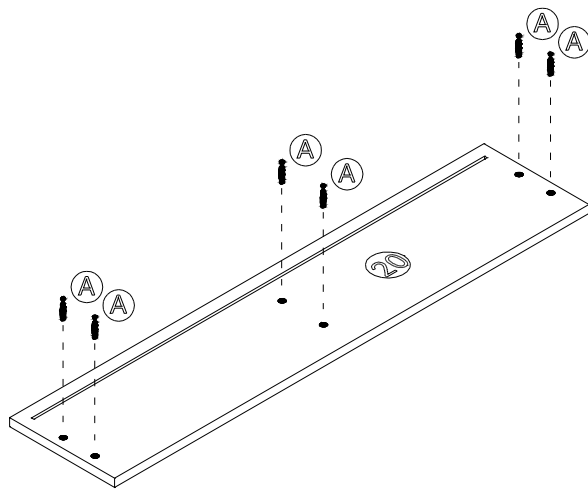


(B)



[X8]





A

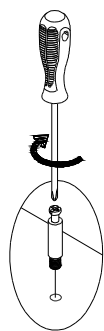
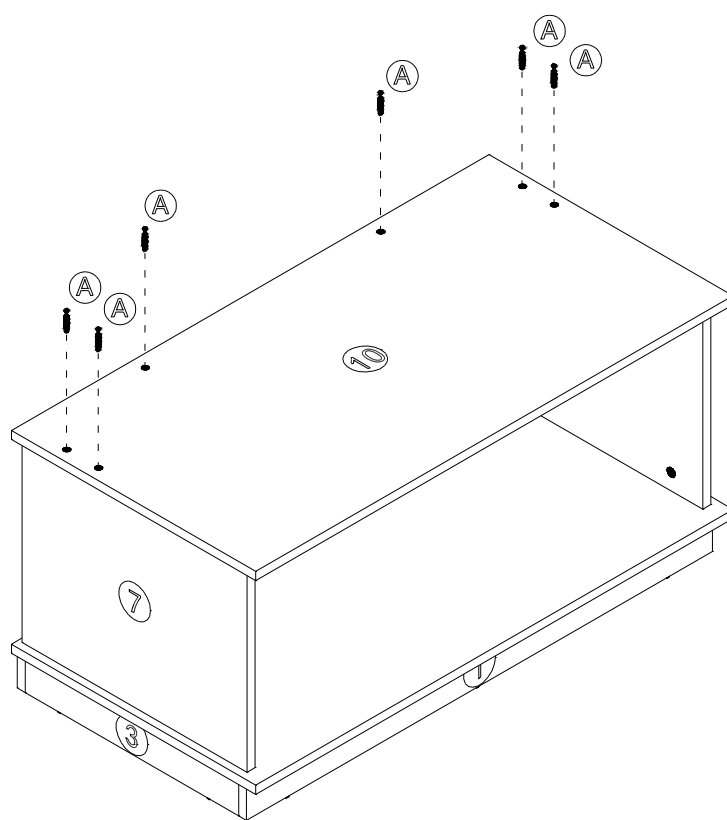


[× 6]

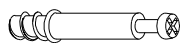
B



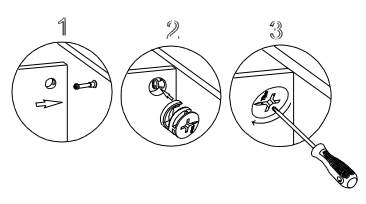
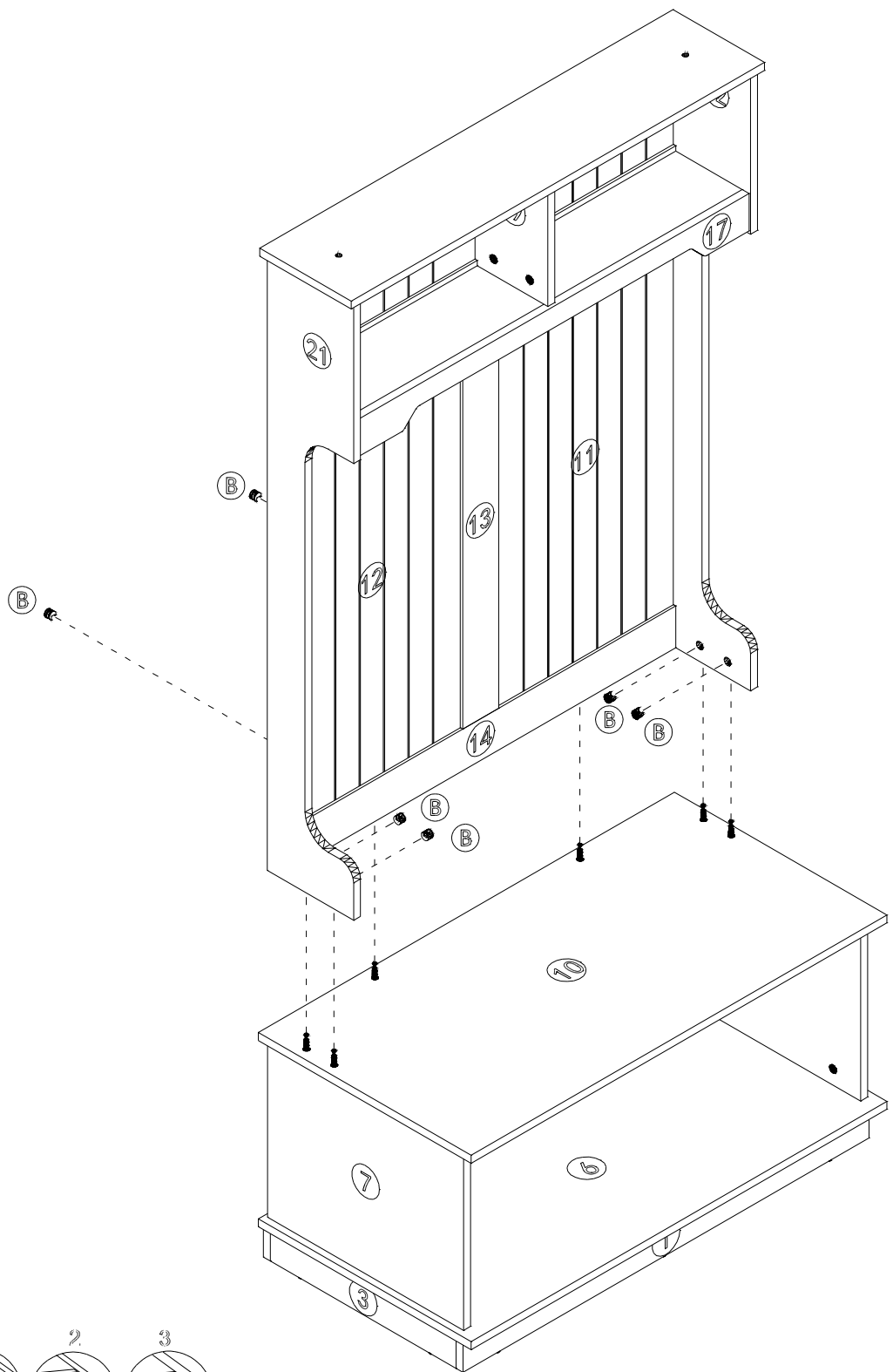
[× 6]



A

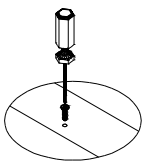
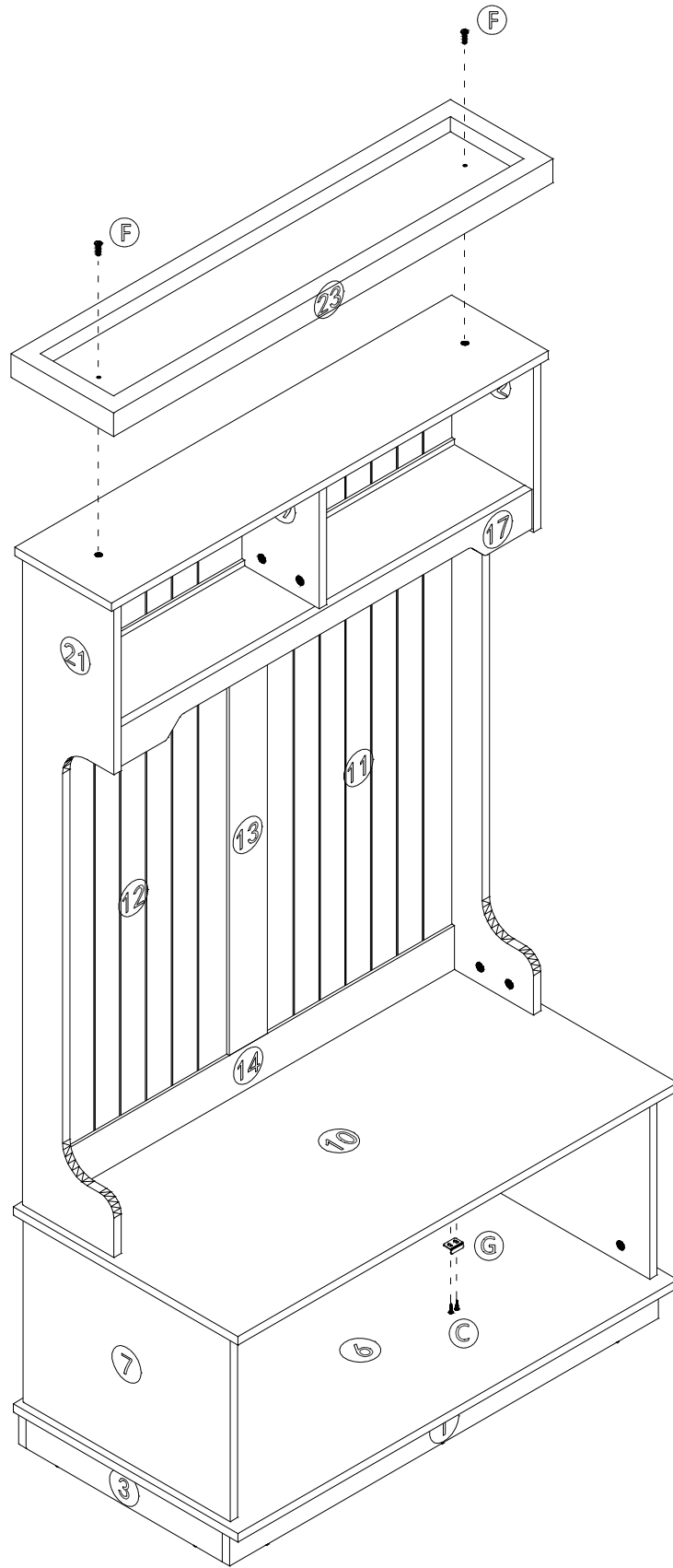


[× 6]





 【×6】



F



[x2]

C

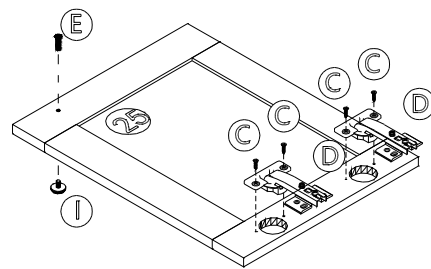
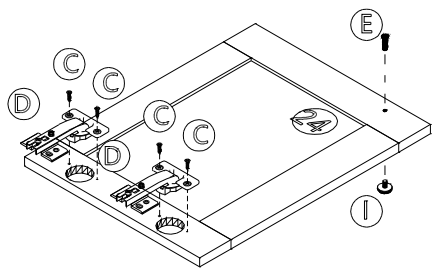



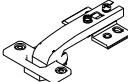


[x2]

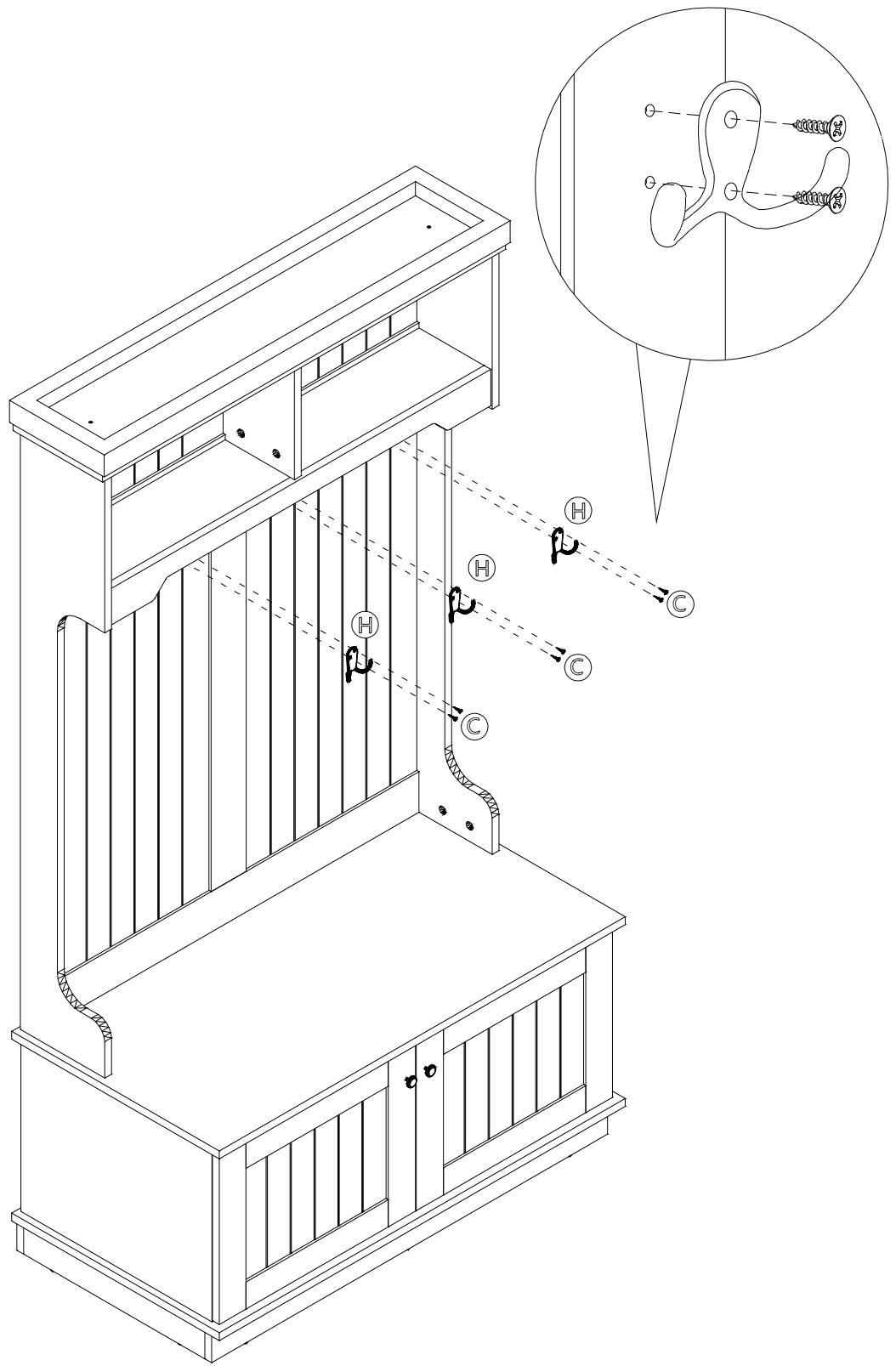
G




[x1]



- (C)  [×24]
 (D)  [×4]
 (I)  [×2]
 (E)  [×2]



Ⓒ  [×6]

Ⓓ  [×3]