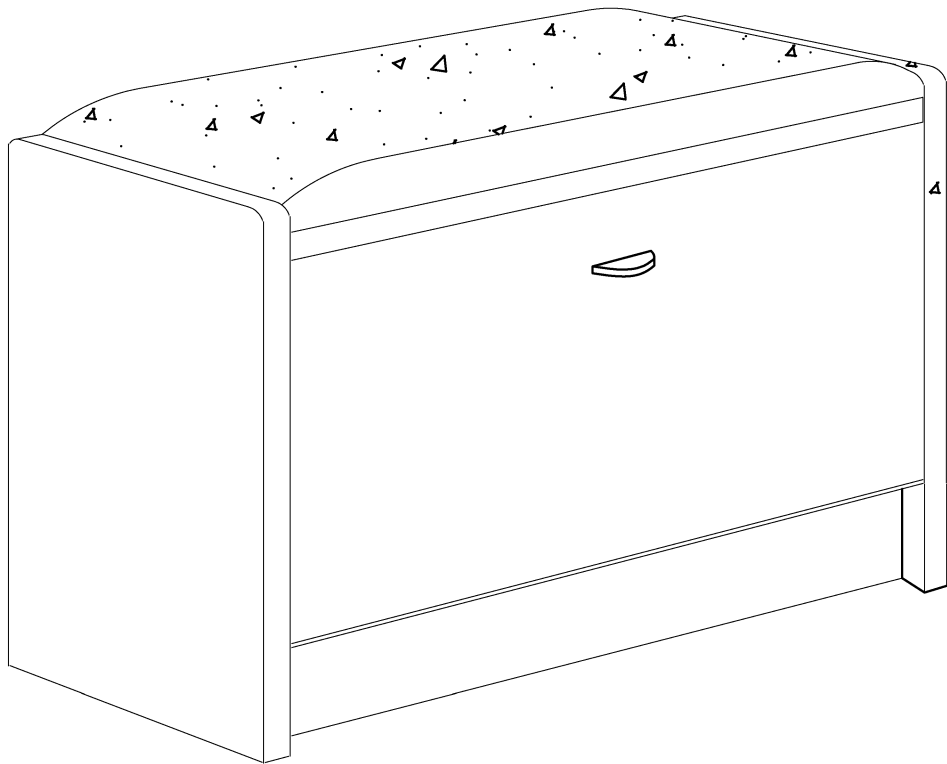
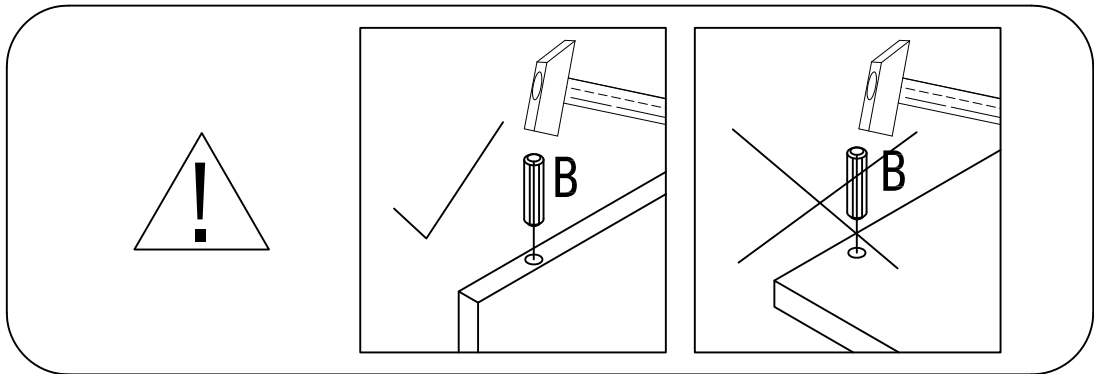
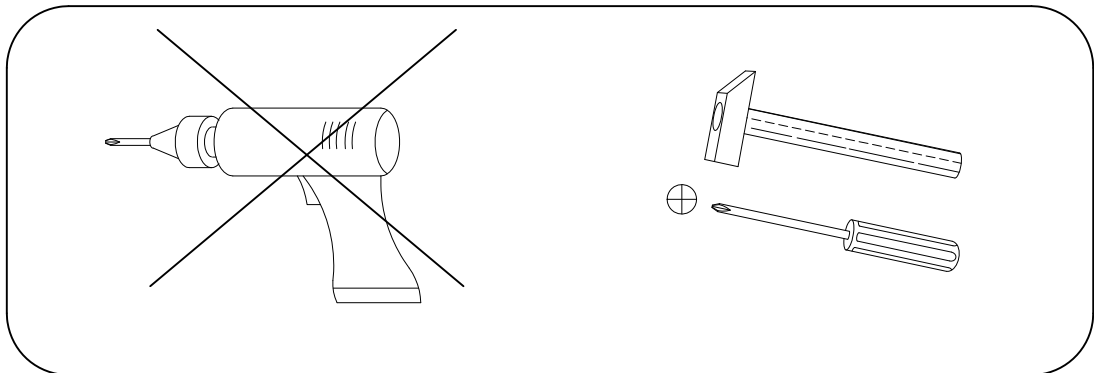
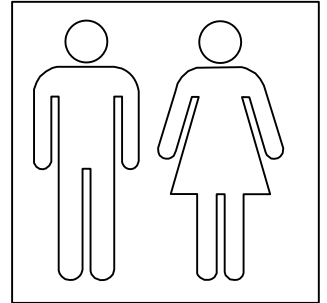
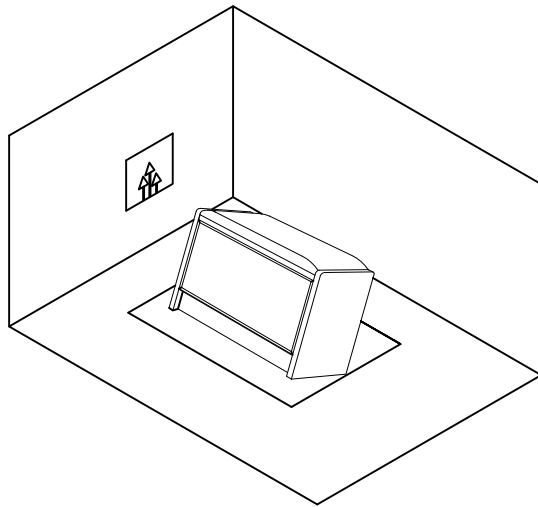
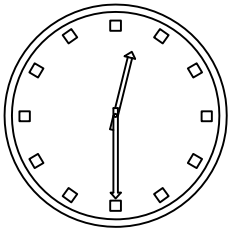
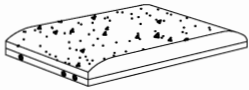


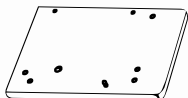
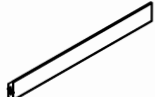
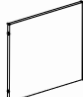
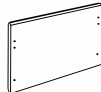
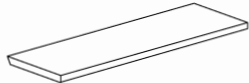
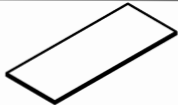
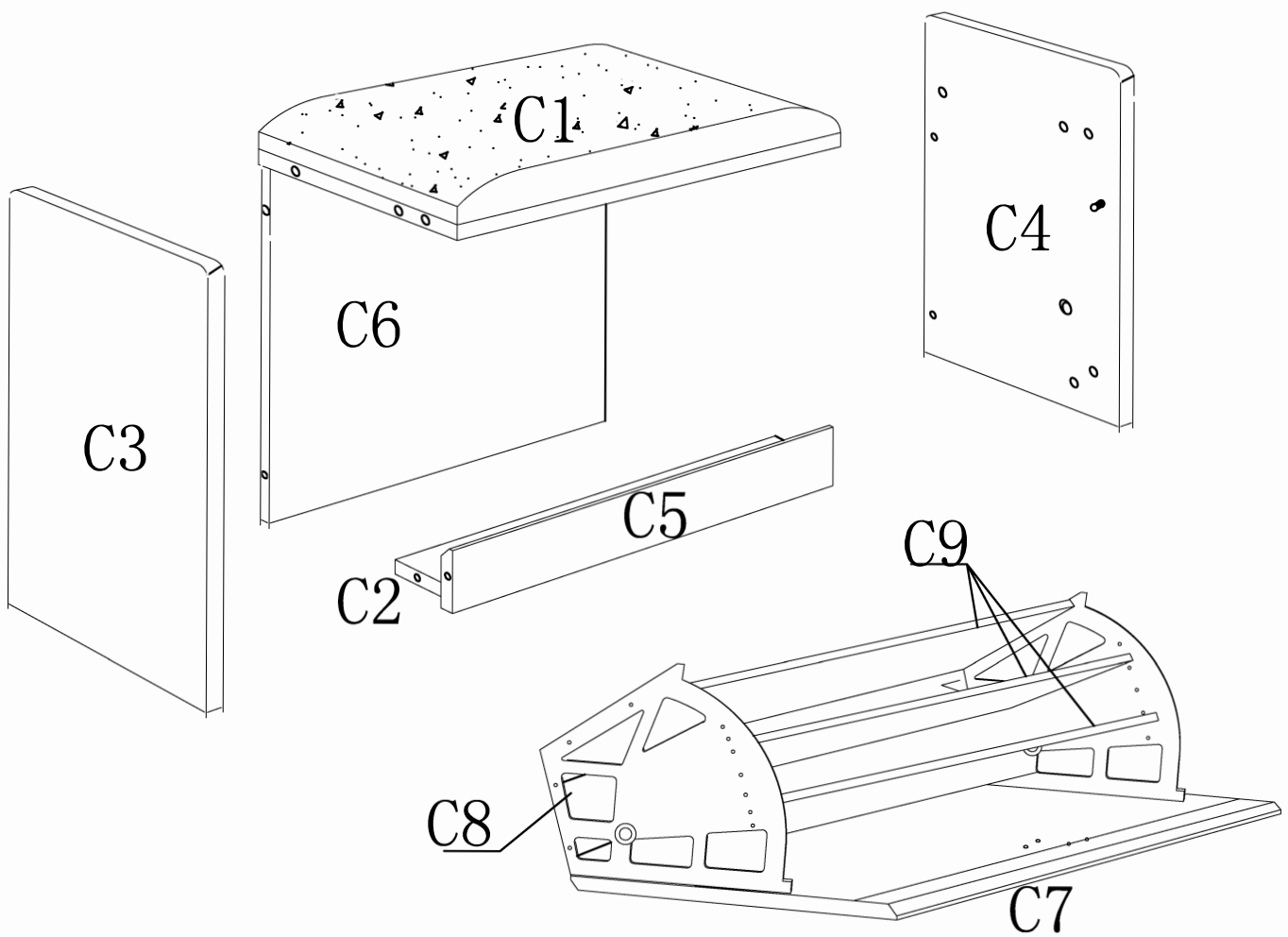


Assembly Instructions

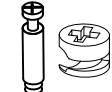


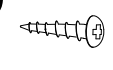
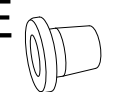
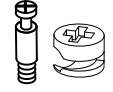


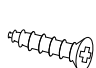
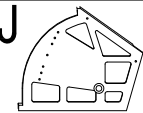


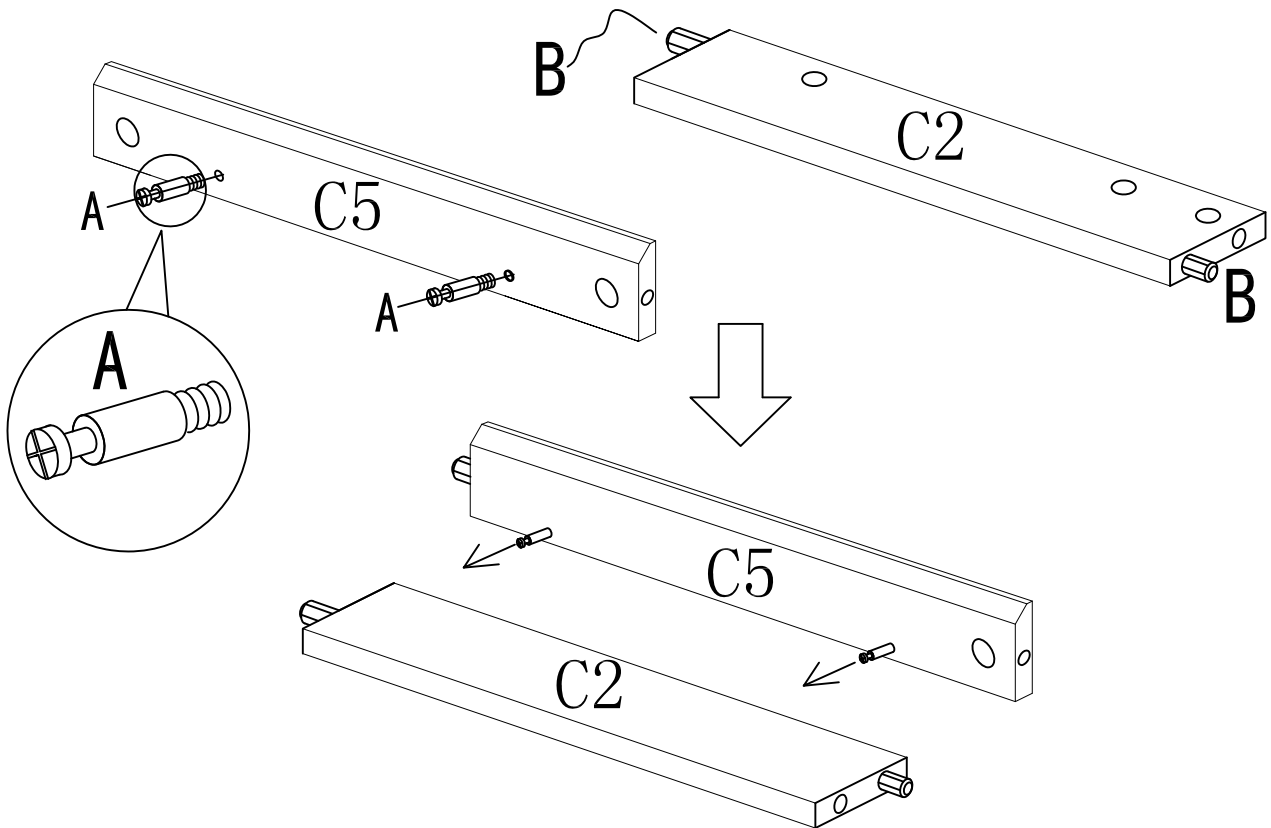
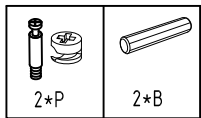
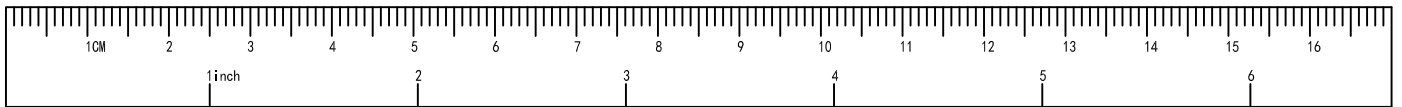


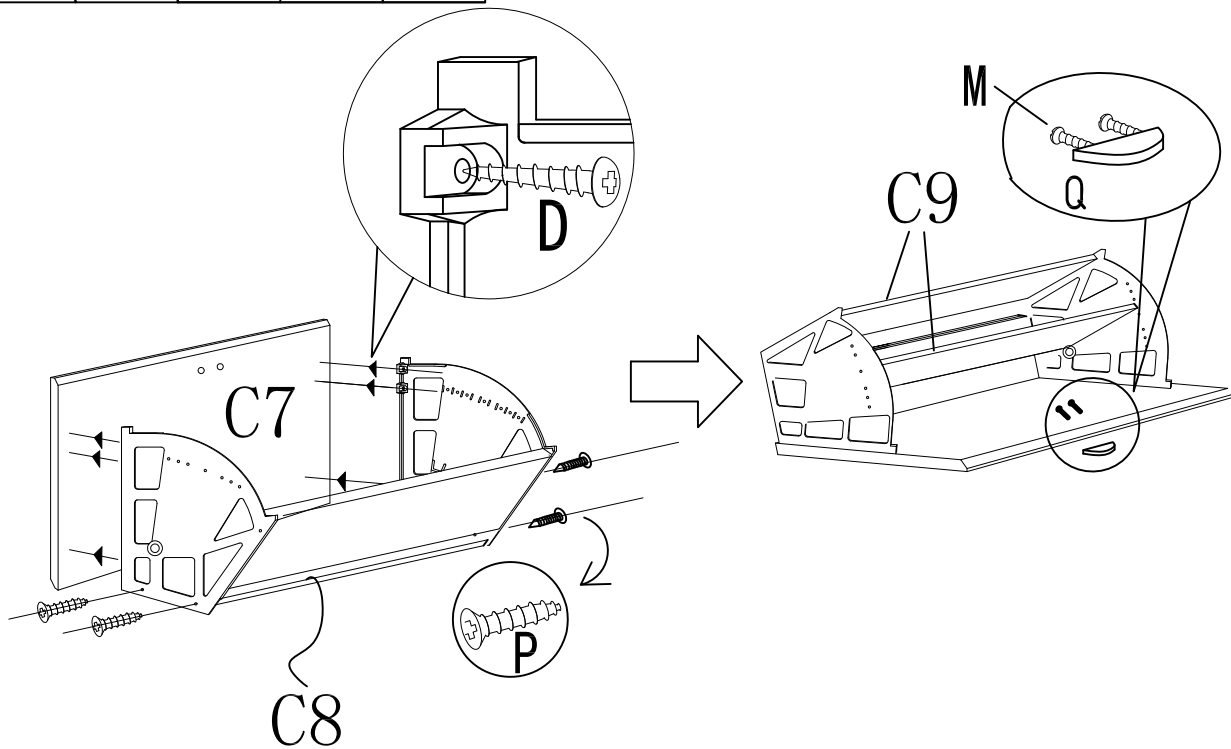
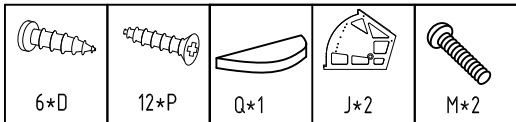
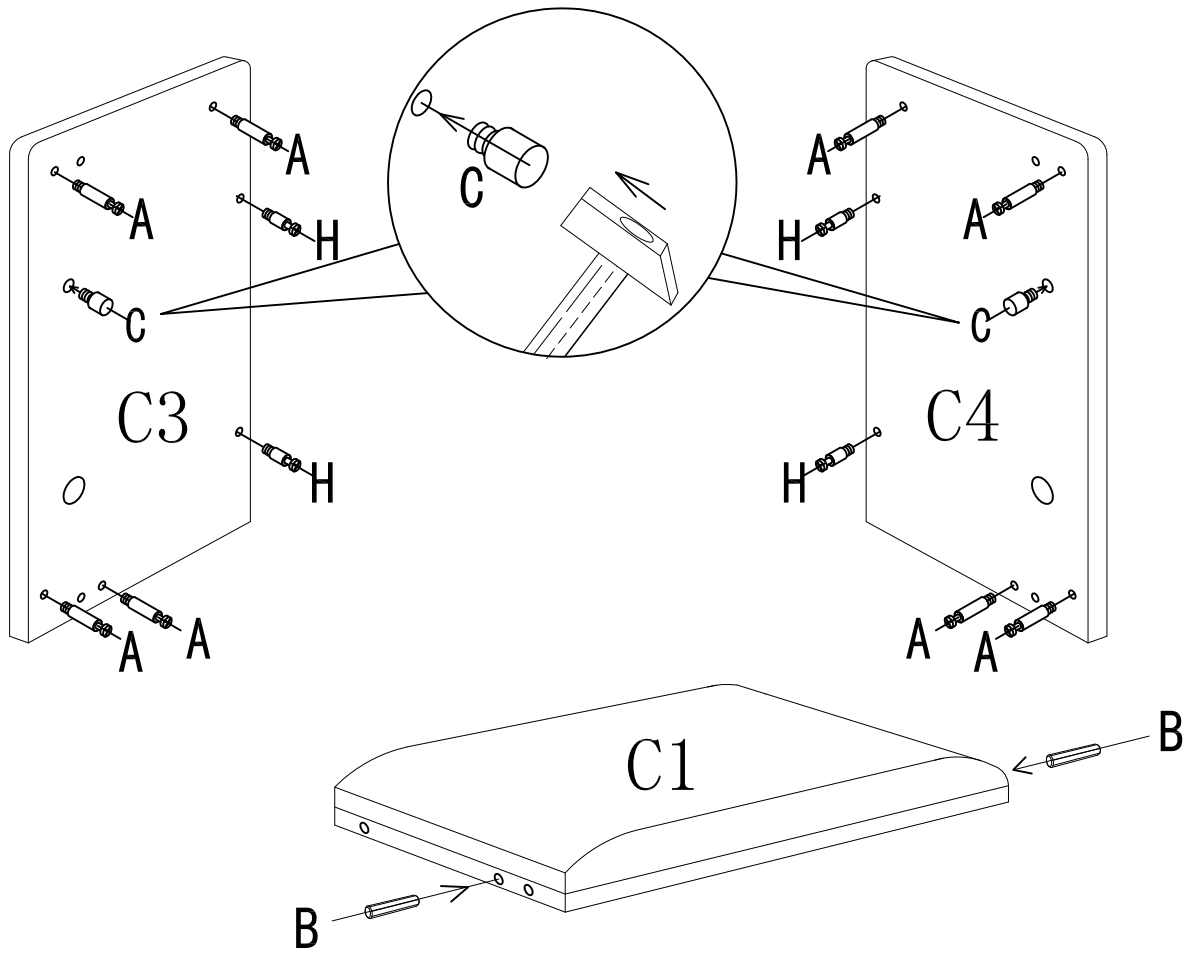
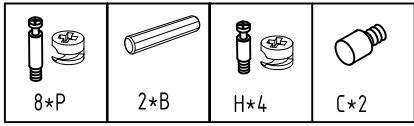
C1=1 	C2=2 	C3=1 
C4=1 	C5=1 	C6=1 
C7=1 	C8=1 	C9=3 

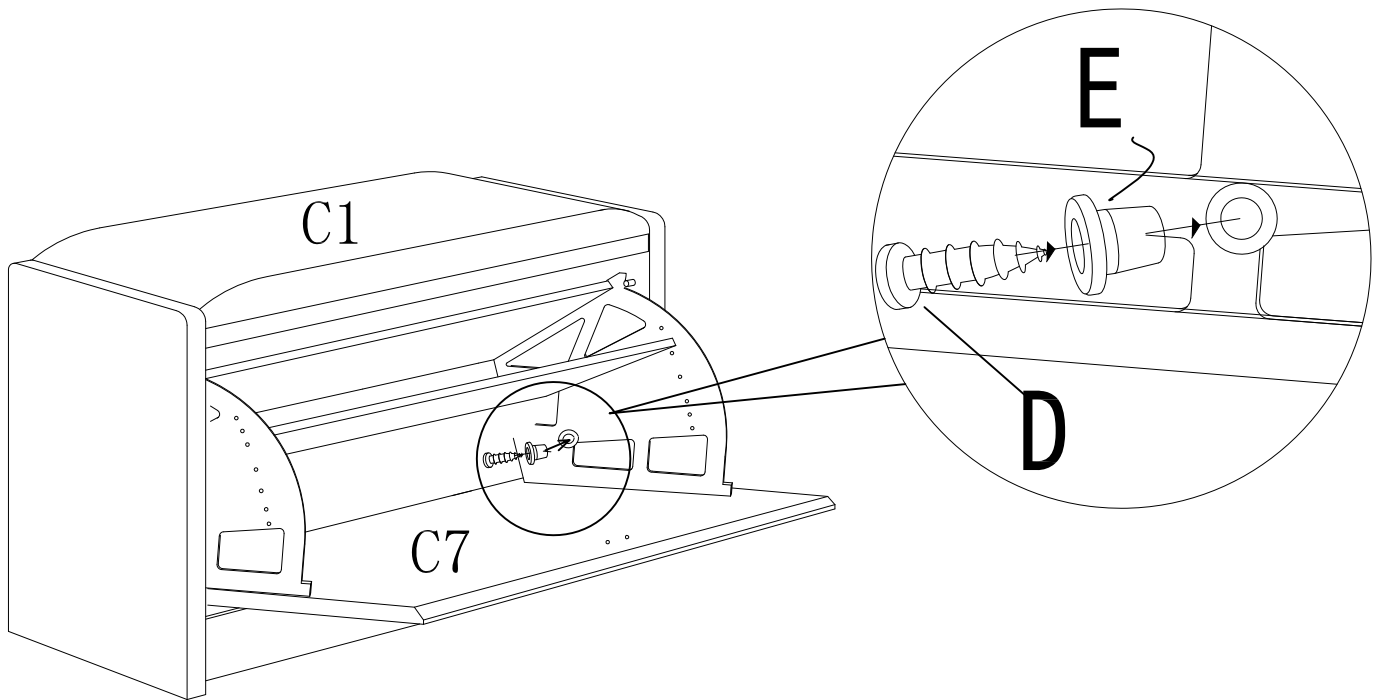
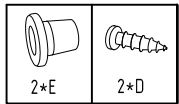
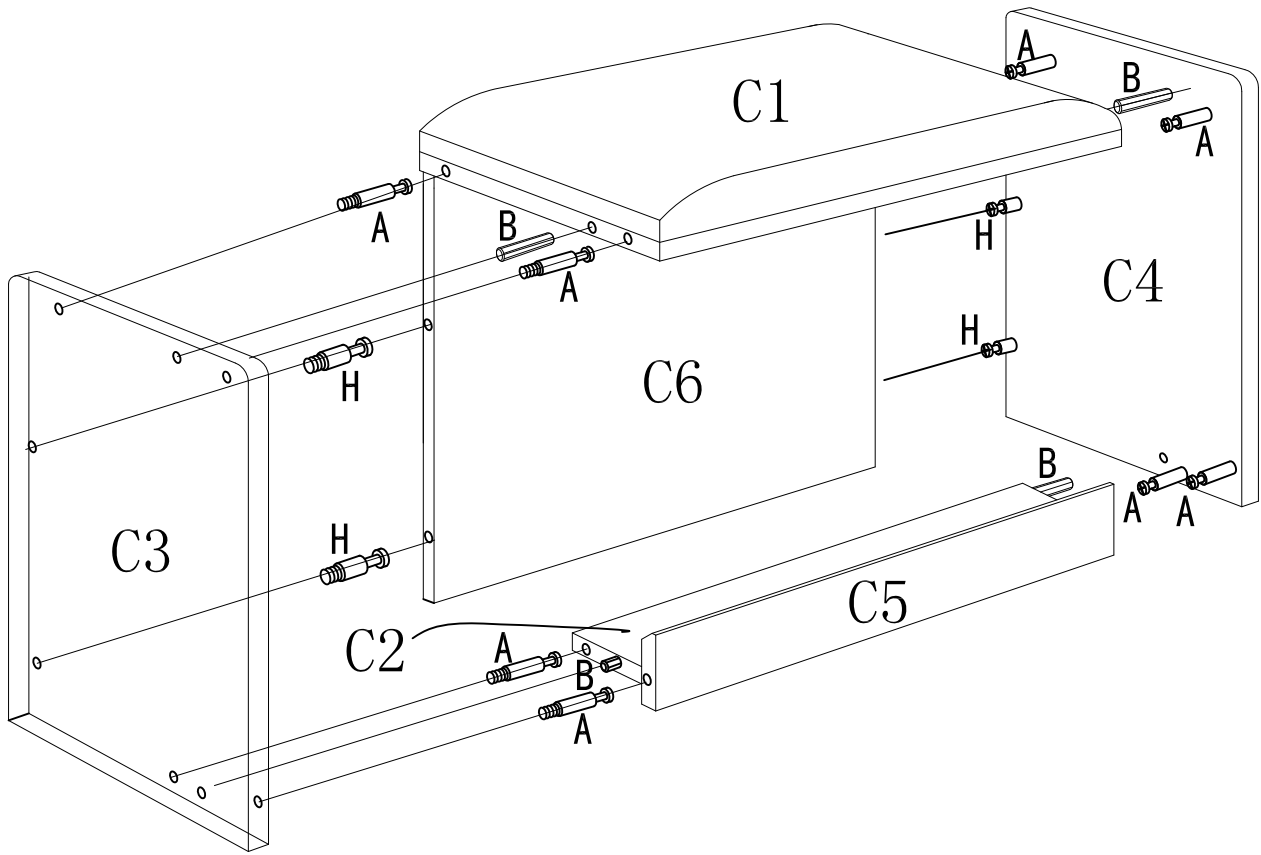


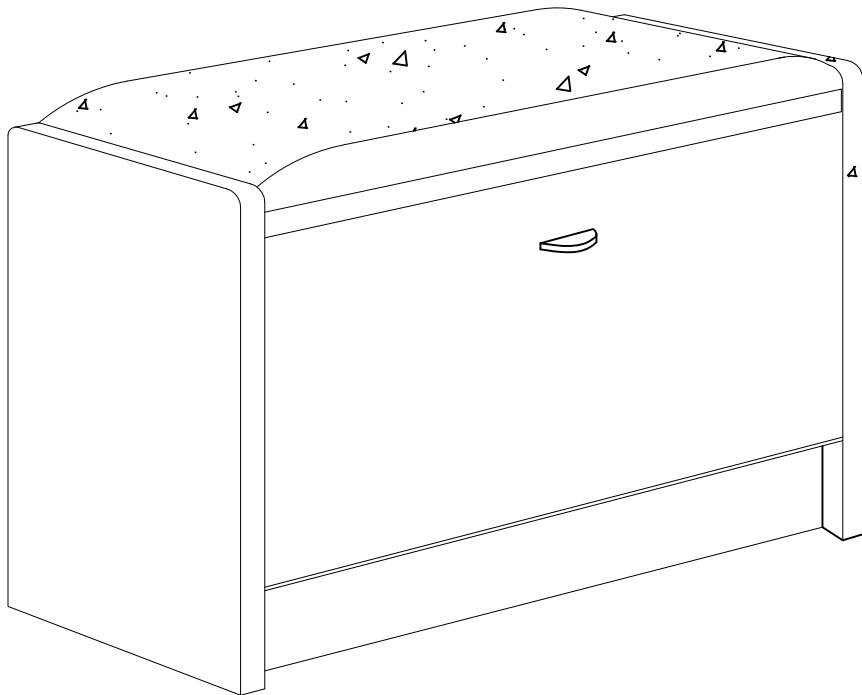
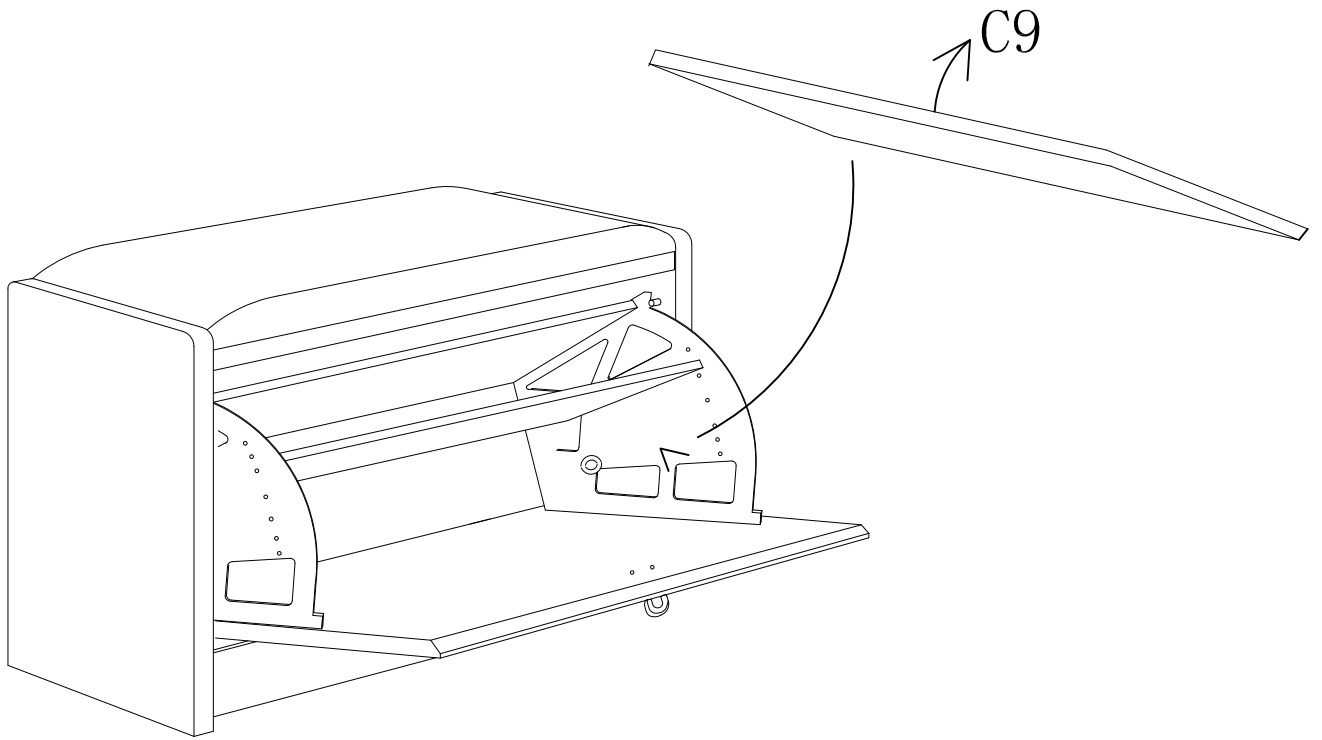
Hardware List / Fitting

A  $\phi 7*29$ 10*A	B  $\phi 8*30$ 2*B	C  $\phi 8*20$ 2*C	D  $\phi 4*16$ 8*D	E  2*E	H  $\phi 7*18$ 4*H	Q  1*Q	M  $\phi 4*18$ 4*H
P  $\phi 4*14$ 12*K	J  2*J						









OK!