

ASSEMBLY INSTRUCTION 504 BED

ASSEMBLY TIPS

- 1.- Remove hardware from box and sort by size.
- 2.- Please check to see that all hardware and parts are present prior start of assembly.
- 3.- Please follow attached instruction in the same sequence as numbered to assure an easy assembly.

WARNING

- 1.- Don't attempt to repair or modify parts that are broken or defective. Please contact the store immediately.
- 2.- This product is for home use only and not intended for commercial establishments.

*** PHILLIP'S HEAD SCREW DRIVER (NOT INCLUDED)**

*** TOOL MALLET (NOT INCLUDED)**

COMPONENT LIST

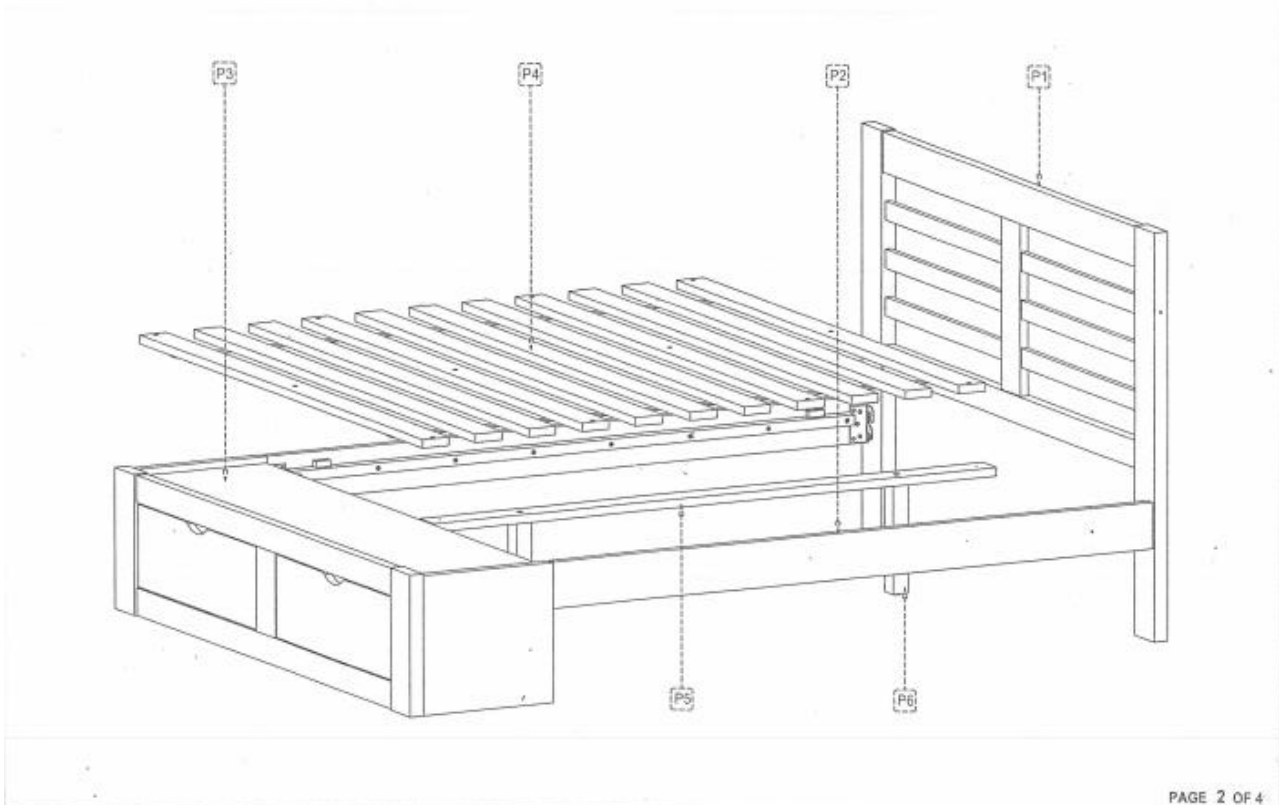
| | | |
|----|--------------|--------|
| P1 | Headboard | 1 set |
| P2 | Side rail | 2 sets |
| P3 | Drawer group | 1 set |
| P4 | Roll slat | 1 set |
| P5 | Support Bar | 1 pc |
| P6 | Support Leg | 2 pcs |

HARDWARE LIST

| | | | | | | | |
|----|--|--------------------------|-------|----|--|-----------------------|--------|
| H1 | | JCBC Screw M8 x 20 mm | 8 pcs | H5 | | Wood Screw M4 x 30 mm | 12 pcs |
| H2 | | Spring Washer #8 x 15 mm | 8 pcs | H6 | | Levelling Screw | 2 pcs |
| H3 | | Flat Washer #8 x 20 mm | 8 pcs | H7 | | M4, Allen Key | 1 pc |
| H4 | | JCBC Screw M6 x 30 mm | 2 pcs | | | | |

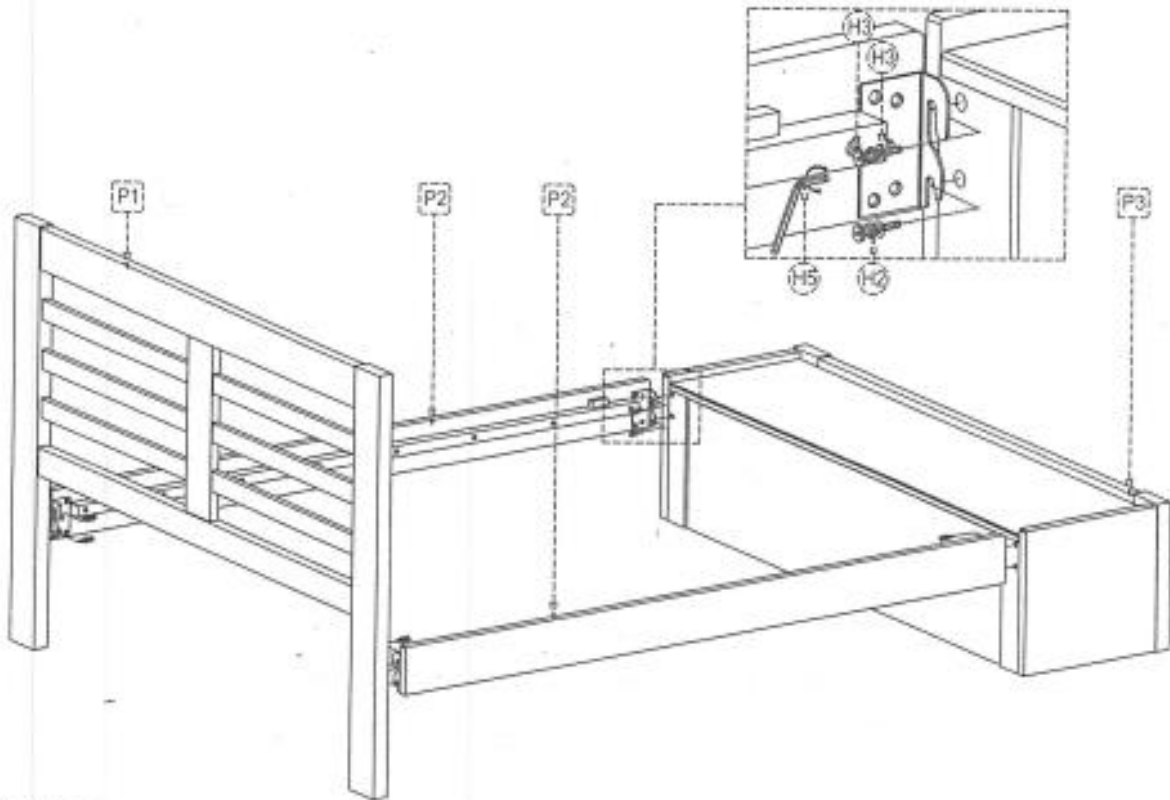
PAGE 1 OF 4

Please Follow Number Sticker For Assembly

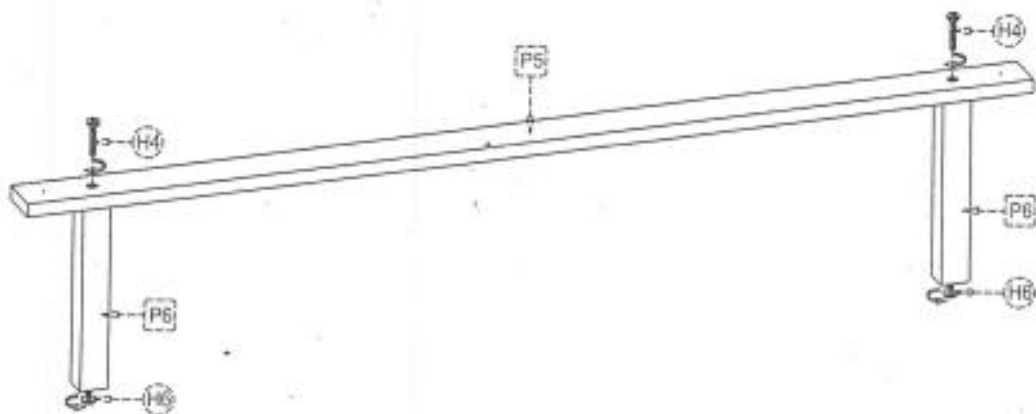


ASSEMBLY INSTRUCTION

STEP 1

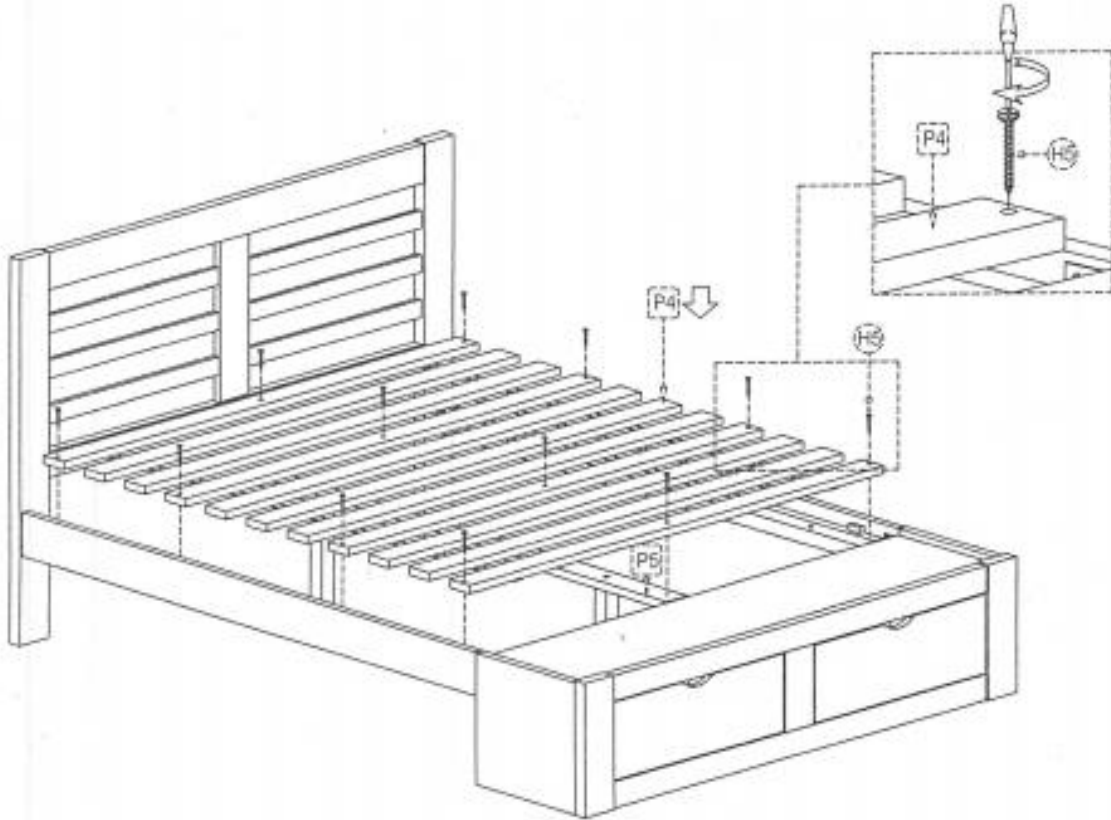


STEP 2

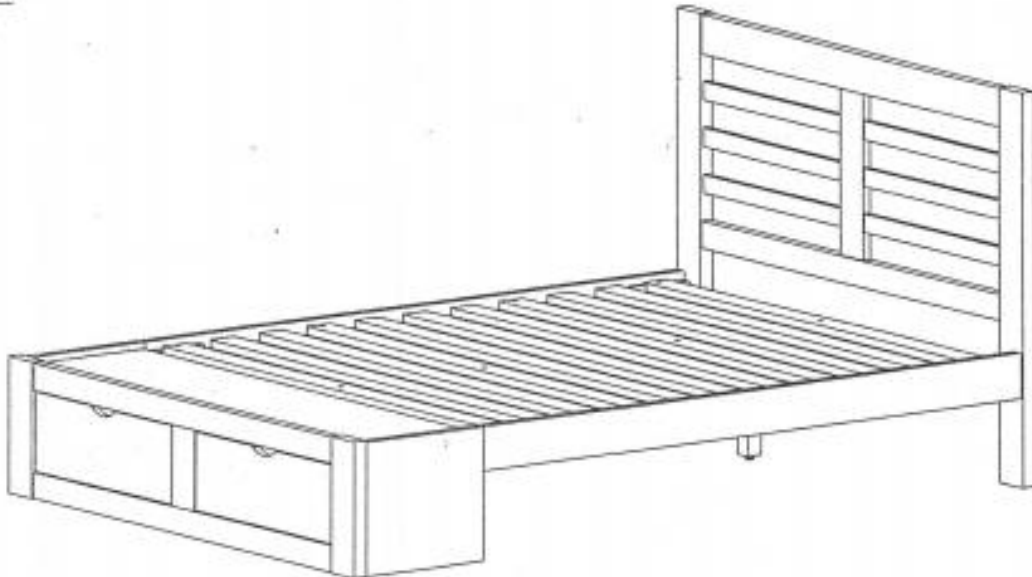


ASSEMBLY INSTRUCTION

STEP 3



FINAL



" PLEASE DISPOSE PACKAGING THOUGHTFULLY "