

# Installation Manual



## Frameless Double Sliding Door



### **Questions?**

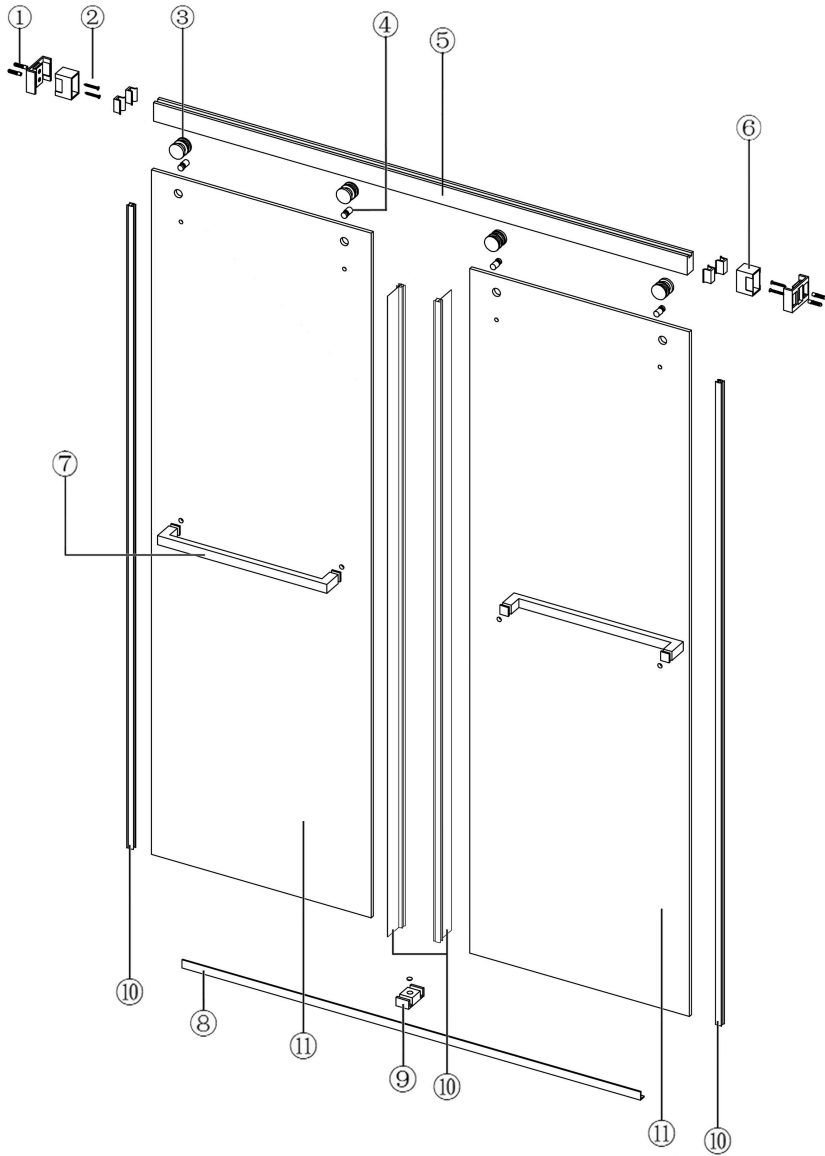
Customer Support: +1 909-276-7014  
Operation Hours: 8am-5pm Mon-Fri  
PST

### **Complicated Stuff?**

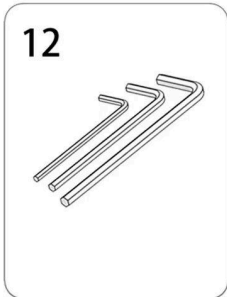
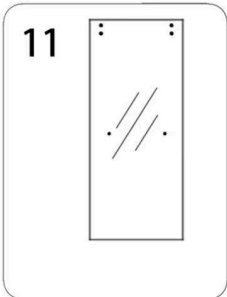
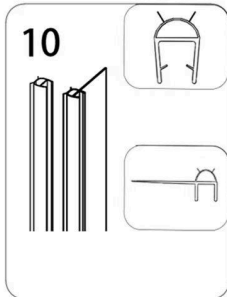
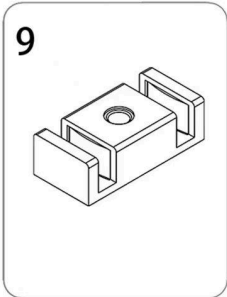
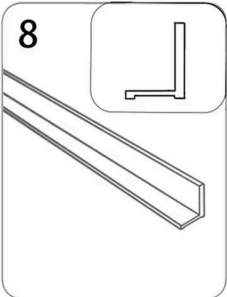
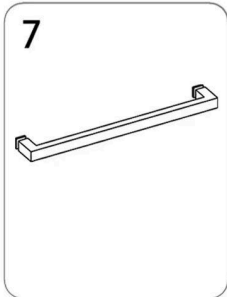
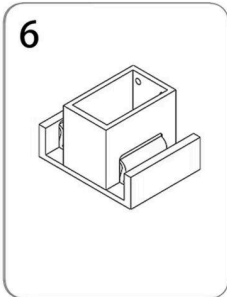
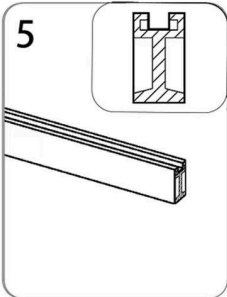
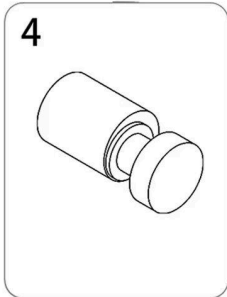
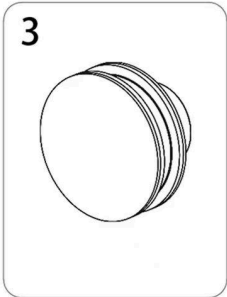
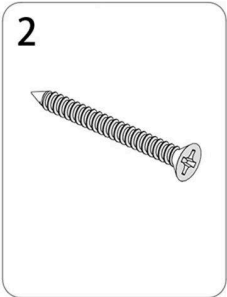
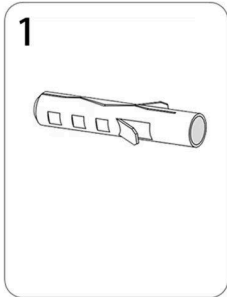
[cs@kobiworks.com](mailto:cs@kobiworks.com)



# Diagram



# Item List



# Step 1.

Using the provided drilling template, carefully mark and drill the hole locations using the 1/4" drill bit, and then mount the wall brackets securely.

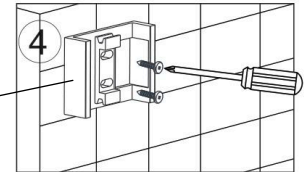
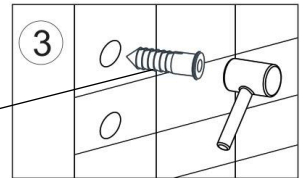
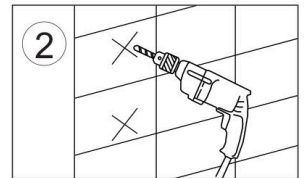
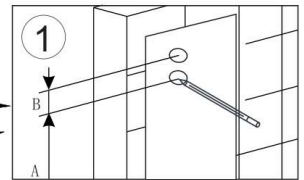
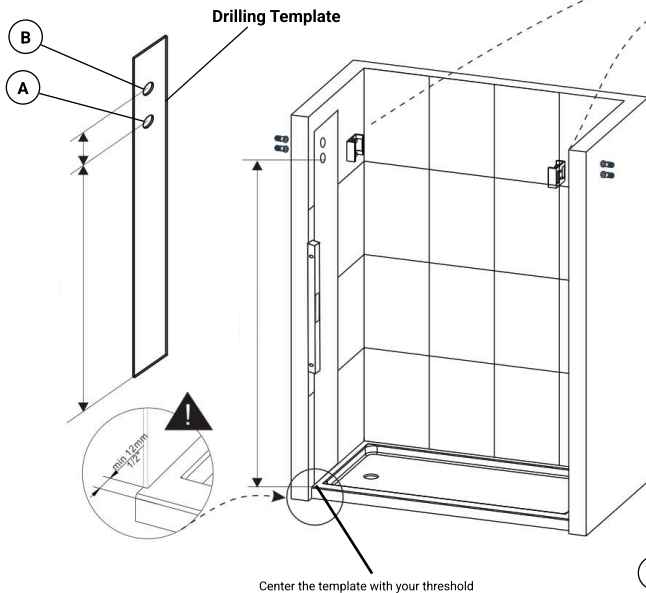
Ensure the template is positioned perfectly level so the header bar aligns correctly with the glass, especially if there is any measurement variance. Before drilling, thoroughly review and compare all hole locations with the measurement chart to confirm accuracy.

Product Height	A	B
60"	55 1/2"	56 3/8"
66"	61 1/2"	62 3/8"
72"	67 1/2"	68 3/8"
76"	71 1/2"	72 3/8"
79"	74 1/2"	75 3/8"
84"	79 1/2"	80 3/8"

Hole Locations

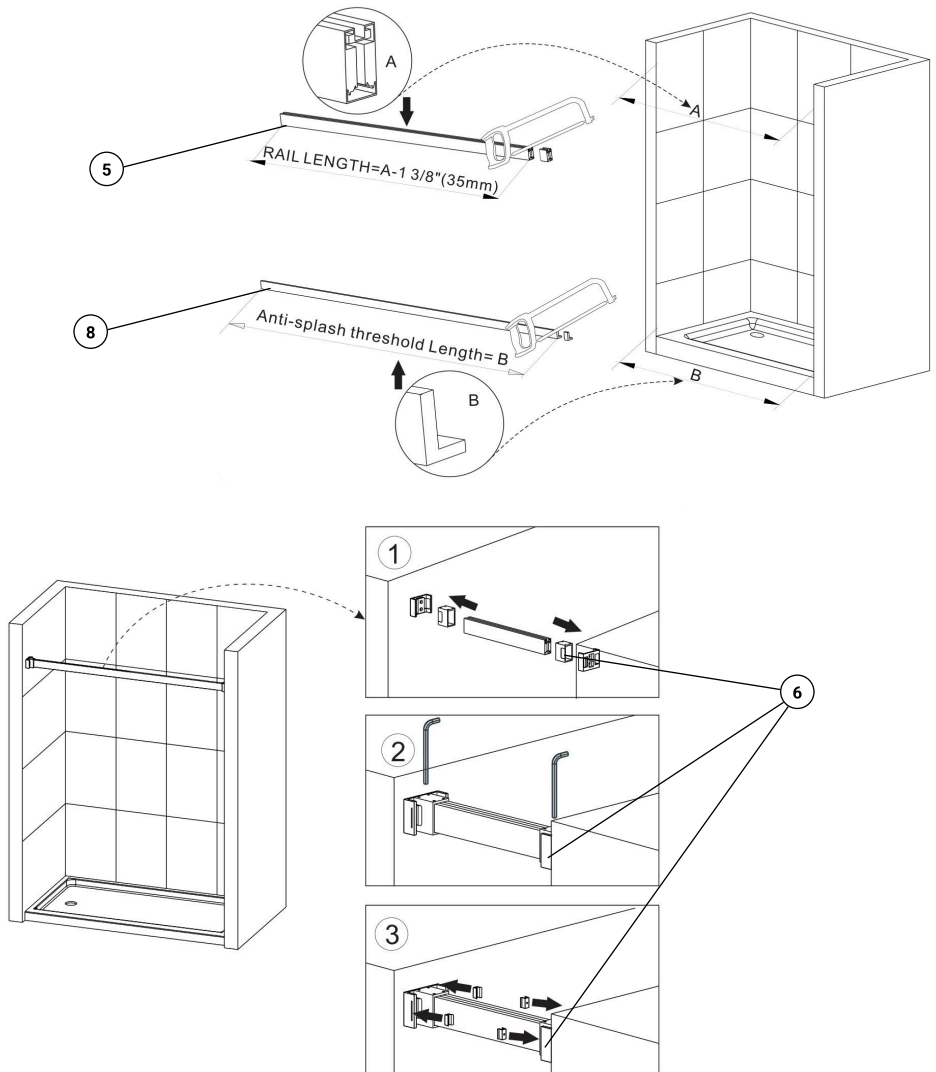


**Recommended:**  
Watch Video Before Installation



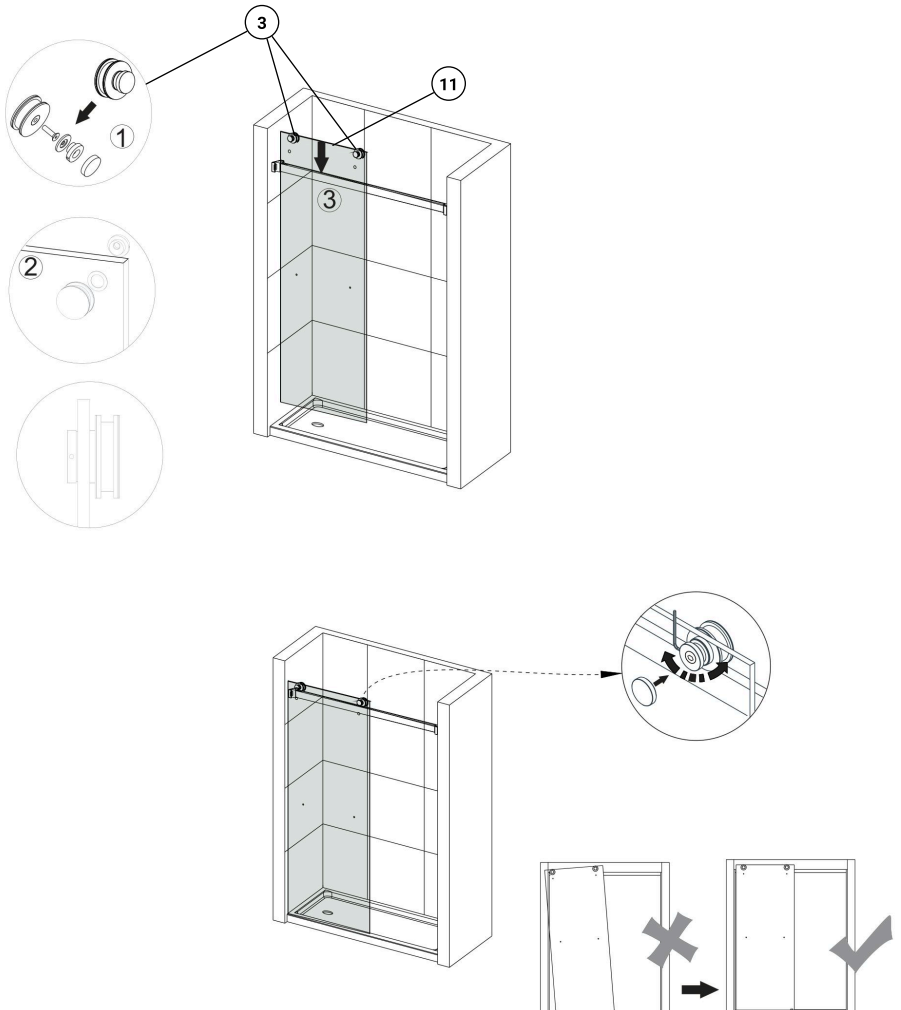
## Step 2.

Cut the header bar to a length equal to your top opening minus 1 3/8", and cut the splash threshold to match the full width of your bottom opening.



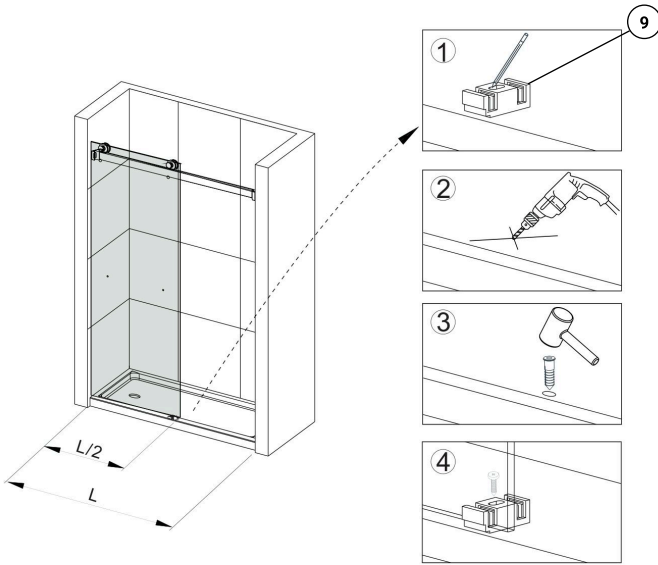
### Step 3.

Mount the rollers onto the glass and set the glass onto the header bar; if installed correctly, the panel should slide smoothly. The rollers also feature an integrated 1/4" plumb adjustment function—please adjust as needed to match your opening.



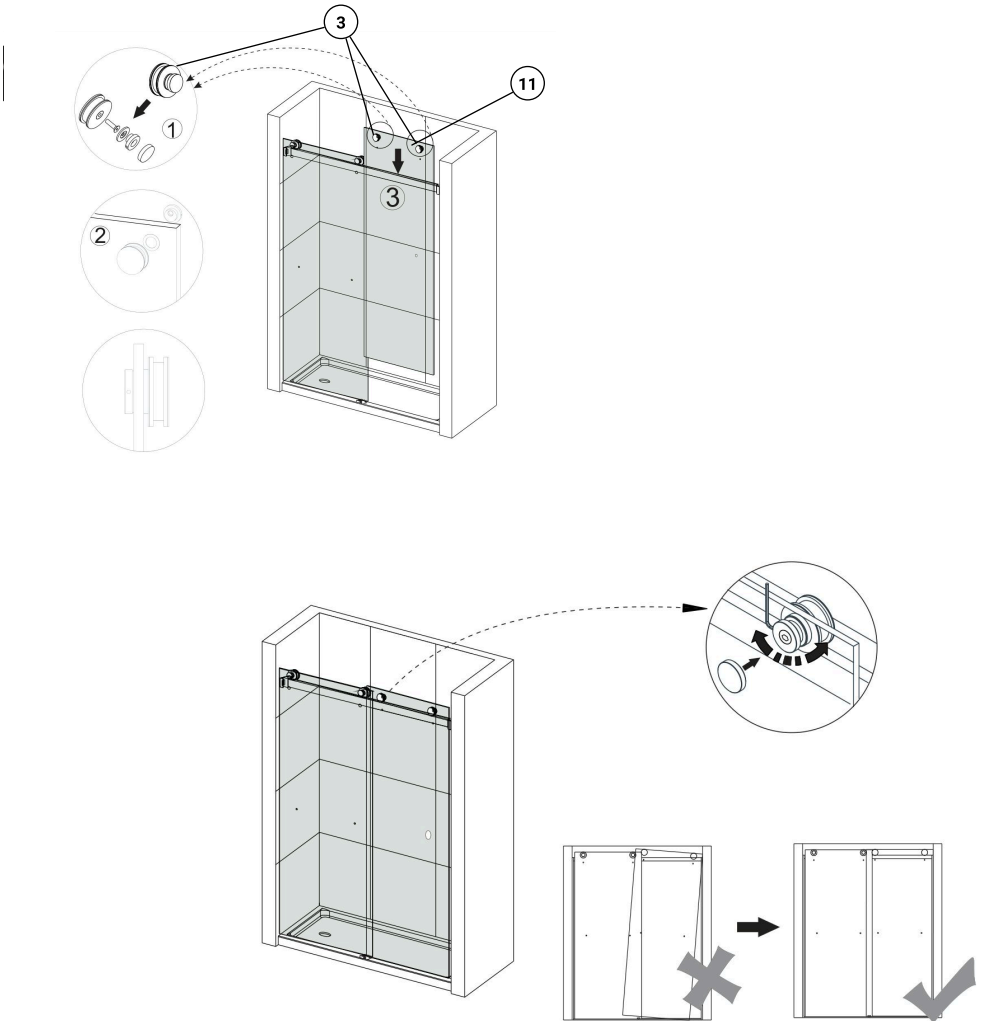
## Step 4.

Position the floor guide at the center point where both glass panels meet to ensure proper alignment and prevent them from lifting off track. Mark the hole location, then drill and secure the guide with a screw.



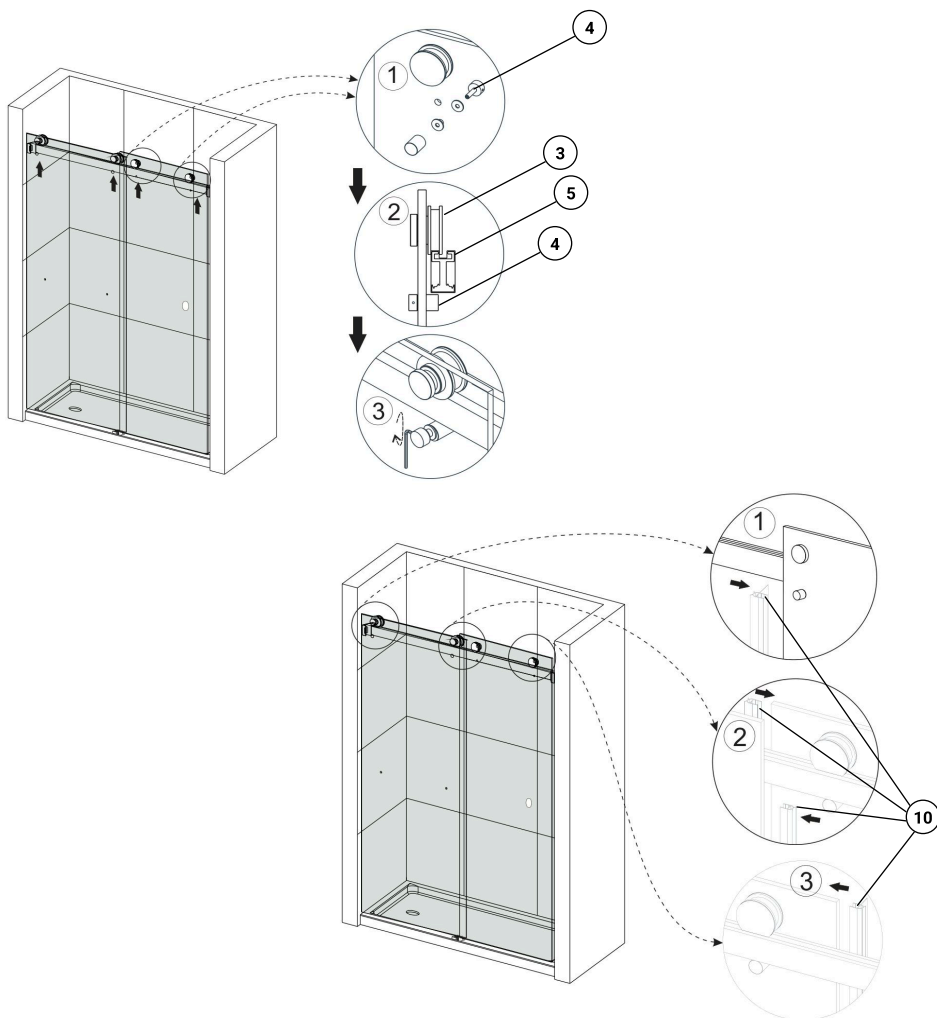
## Step 5.

Mount the rollers onto the secondary glass panel and install it on the inside of the header bar. As noted earlier, the rollers include a 1/4" plumb adjustment feature—please adjust them as needed to align properly with your wall.



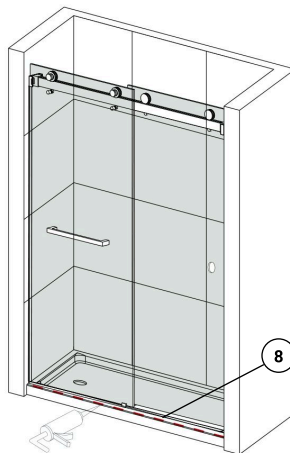
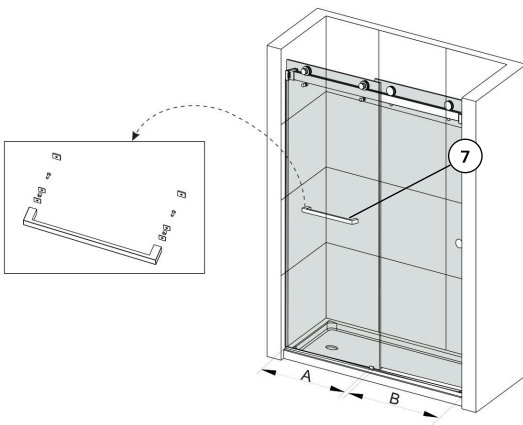
## Step 6.

Mount the anti-jump knobs on both doors to prevent the panels from lifting off the track. Next, apply the PVC strips to the doors. The strips come in two types: the two wider strips should meet at the center when the doors close, and the thinner strip should be positioned on the side that makes contact with the wall when the door is fully closed.



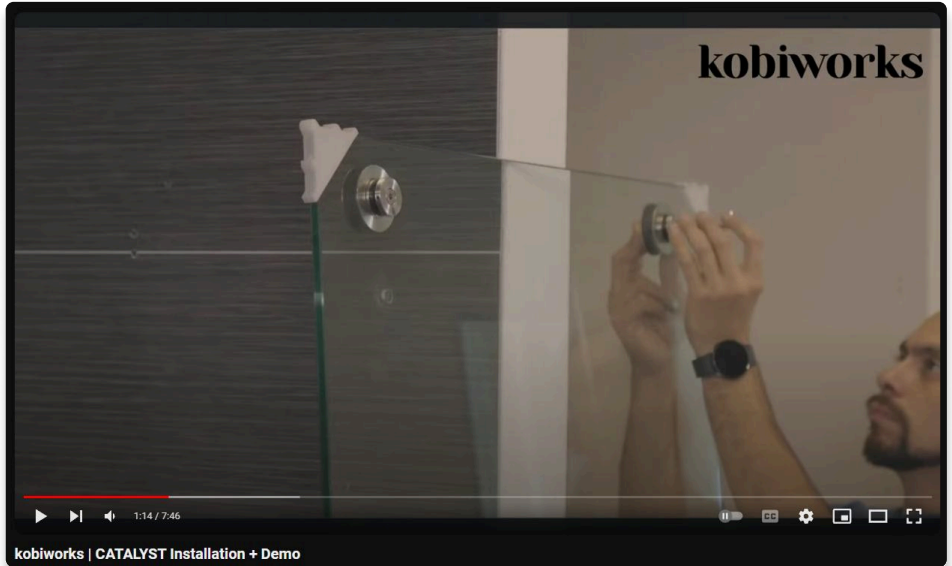
## Step 7.

Mount the towel bars or handle onto the door, ensuring they are securely tightened to prevent any movement when force is applied. The final step is to install the anti-splash threshold by applying silicone along the bottom of the track guide and setting the threshold firmly in place.





**Watch out!** We have an installation video on YouTube too!



### **Additional Resources**

Website: <https://kobiworks.com>

Address: 1265 S. Johnson Dr, City Of Industry, CA 91745



#### **Questions?**

Customer Support: **+1 909-276-7014**  
Operation Hours: **8am-5pm Mon-Fri**  
**PST**

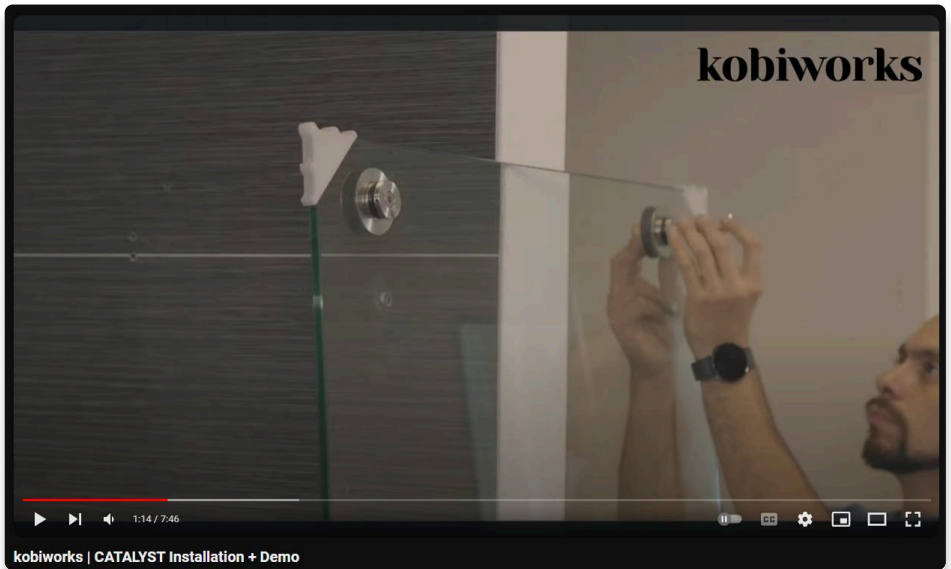
#### **Complicated Stuff?**

[cs@kobiworks.com](mailto:cs@kobiworks.com)





**Watch out!** We have an installation video on YouTube too!



### Additional Resources

Website: <https://kobiworks.com>

Address: 1265 S. Johnson Dr, City Of Industry, CA 91745



#### **Questions?**

Customer Support: **+1 909-276-7014**

Operation Hours: **8am-5pm Mon-Fri  
PST**

#### **Complicated Stuff?**

[cs@kobiworks.com](mailto:cs@kobiworks.com)

