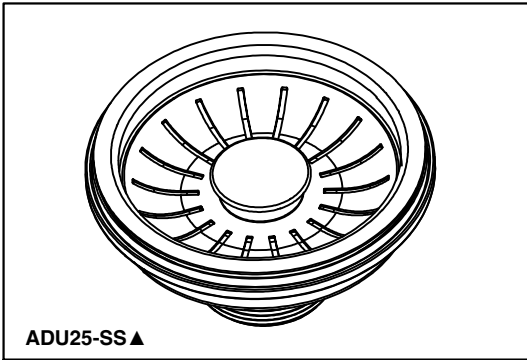




see what Delta can do™

KITCHEN ACCESSORY

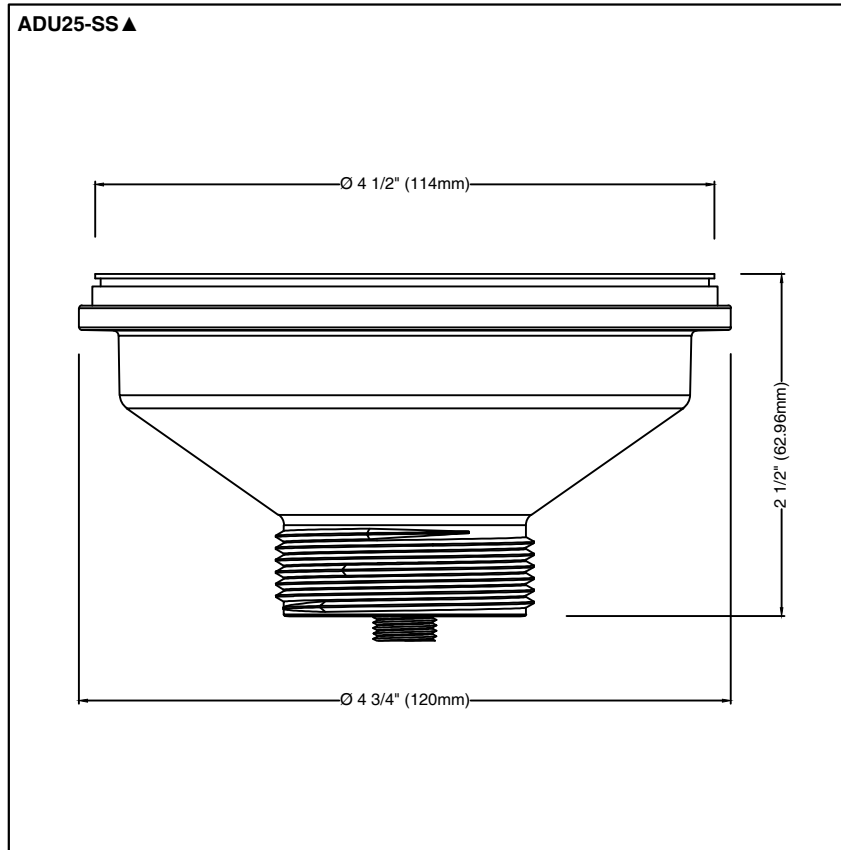
■ Kitchen Strainer



ADU25-SS ▲

Submitted Model No.: _____

Specific Features: _____



▲ Designate proper finish suffix

Delta reserves the right (1) to make changes in specifications and materials, and (2) to change or discontinue models, both without notice or obligation. Dimensions are for reference only. See current full-line price book or www.deltafaucet.com for finish options and product availability.

FEATURES:

- Strainer traps food particles and debris to keep drain clear
- Maximizes your sinks functionality and complements the look of your kitchen
- The open/close stopper creates a tight seal that prevents food and debris from clogging the drainpipe
- Durable Stainless Steel Construction
- Compatible with 95A931-25S-SS, 95A931-30S-SS, 95A931-33D-SS, 95A931-33S-SS, 95A932-25S-SS, 95A932-30S-SS, 95A932-33S-SS, 95B931-27S-SS, 95B931-30S-SS, 95B931-32S-SS, 95B931-33D-SS, 95B932-27S-SS, 95B932-30S-SS and 95B932-32S-SS kitchen sinks

STANDARD SPECIFICATIONS:

- Stainless Steel Construction
- Product Height: 2 1/2"
- Product Length: 4 1/2"
- Product Width: 4 1/2"

WARRANTY:

- 1 Year Limited Warranty

Delta Faucet Company

55 E. 111th Street, Indianapolis, IN 46280
350 South Edgeware Road, St. Thomas, ON N5P 4L1
Sinksupport@deltafaucet.com
© 2021 Delta Faucet Company