

Montageanleitung | Instructions de montage
Assembly Instructions | Instrucciones de montaje
SKU NUMBER:N652P278002 N652P278003



GB This set comes in 2 boxes. If you do not receive a full set of 2 boxes, please contact our customer service.

DE Dieses Set wird in 2 Schachteln geliefert. Wenn Sie nicht ein komplettes Set von 2 Boxen erhalten, kontaktieren Sie bitte unseren Kundenservice.

FR Ce set est livré en 2 boîtes. Si vous ne recevez pas un jeu complet de 2 boîtes, veuillez contacter notre service clientèle.

English

IMPORTANT ! KEEP FOR FUTURE REFERENCE : READ CAREFULLY

- To be assembled by an adult. Assembly must be checked by an adult before use
- WARNING ! Keep all screws, small parts and plastic bags out of the reach of children
- Properly identify all parts before assembling
- Never use your item if any of its parts are broken or missing
- Should any problems arise, please contact our After Sales Service
- Manufacturer's instructions shall be followed at all times
- Care: Clean with a soft, dry cloth. In case of larger stains, carefully rub with a slightly damp, non-abrasive sponge
- Avoid the risk of fire by not placing furniture near sources of ignition or hot items
- Do not jump on the bed

Deutsch

WICHTIG ! ZUM SPÄTEREN NACHSCHLAGEN AUFBEWAHREN: SORGFÄLTIG LESEN

- Muss von einem Erwachsenen zusammengebaut werden. Der Zusammenbau muss vor dem Gebrauch von einem Erwachsenen überprüft werden
- WARNUNG! Bewahren Sie alle Schrauben, Kleinteile und Plastikbeutel außerhalb der Reichweite von Kindern auf
- Kennzeichnen Sie vor dem Zusammenbau alle Teile richtig
- Benutzen Sie Ihren Artikel niemals, wenn Teile gebrochen sind oder fehlen
- Sollten Probleme auftreten, wenden Sie sich bitte an unseren Kundendienst
- Die Anweisungen des Herstellers sind stets zu befolgen
- Pflege: Mit einem weichen, trockenen Tuch reinigen. Bei größeren Flecken vorsichtig mit einem leicht feuchten, nicht scheuernden Schwamm abreiben. nicht scheuernden Schwamm
- Vermeiden Sie die Gefahr eines Brandes, indem Sie die Möbel nicht in der Nähe von Zündquellen oder heißen Gegenständen aufstellen
- Nicht auf das Bett springen

Français

IMPORTANT ! CONSERVER POUR RÉFÉRENCE ULTÉRIEURE : LIRE ATTENTIVEMENT

- Le montage doit être effectué par un adulte. Le montage doit être vérifié par un adulte avant Utilisation
- ATTENTION ! Tenir les vis, les petites pièces et les sachets en plastique hors de portée des enfants
- Identifiez correctement toutes les pièces avant de les assembler
- N'utilisez jamais votre article si l'une de ses pièces est cassée ou manquante
- En cas de problème, veuillez contacter notre service après-vente
- Les instructions du fabricant doivent être respectées à tout moment
- Entretien : nettoyer avec un chiffon doux et sec. En cas de taches plus importantes, frotter soigneusement avec une éponge non abrasive légèrement humide. légèrement humide et non Abrasive
- Évitez les risques d'incendie en ne plaçant pas les meubles à proximité de sources d'inflammation ou d'objets chauds
- Ne pas sauter sur le lit

Italiano

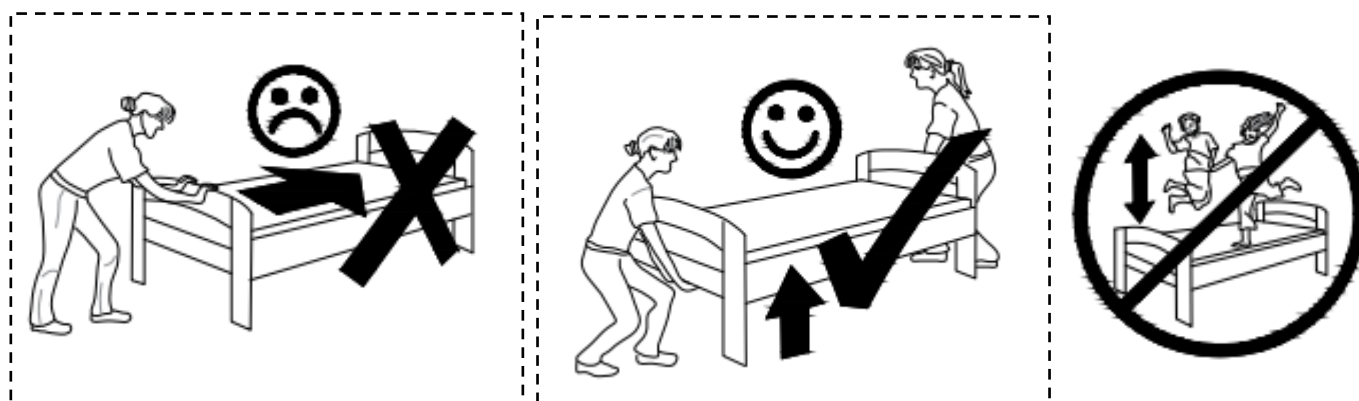
IMPORTANTE! CONSERVARE PER RIFERIMENTO FUTURO: LEGGERE ATTENTAMENTE


- Deve essere assemblato da un adulto. L'assemblaggio deve essere controllato da un adulto prima dell'uso
- **ATTENZIONE!** Tenere tutte le viti, le piccole parti e i sacchetti di plastica fuori dalla portata dei bambini
- Identificare correttamente tutte le parti prima dell'assemblaggio
- Non utilizzare mai l'articolo se alcune parti sono rotte o mancanti
- In caso di problemi, si prega di contattare il nostro Servizio Post Vendita
- Le istruzioni del produttore devono essere sempre seguite
- Cura: Pulire con un panno morbido e asciutto. In caso di macchie più estese, strofinare accuratamente con una spugna leggermente umida e nonspugna leggermente umida e non abrasiva
- Evitare il rischio di incendio, non collocando i mobili vicino a fonti di accensione o a oggetti caldi
- Non saltare sul letto


Español


¡ IMPORTANTE ! CONSERVELO PARA FUTURAS CONSULTAS: LEA ATENTAMENTE

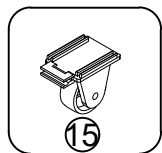
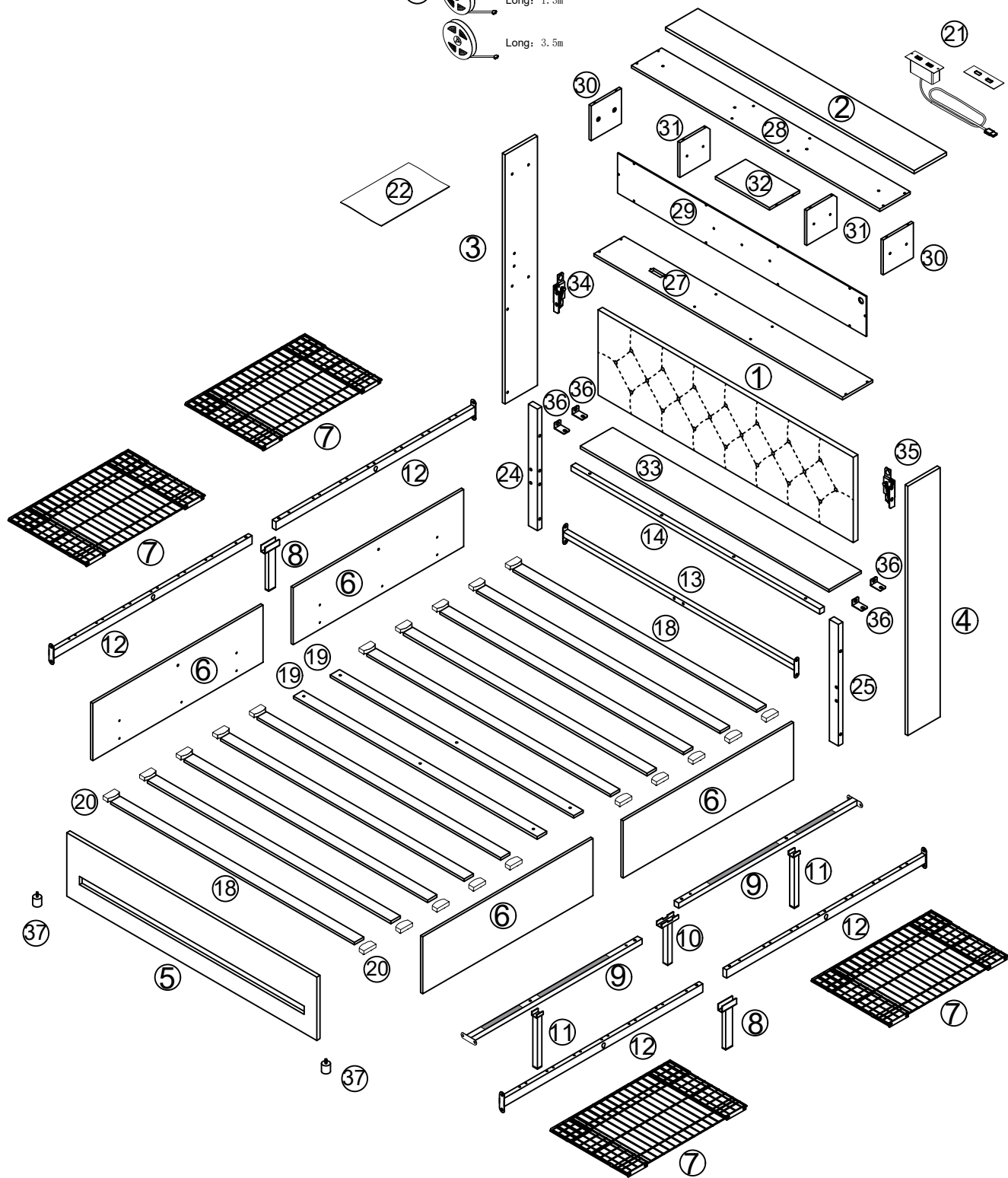
- Debe ser montado por un adulto. El montaje debe ser comprobado por un adulto antes del uso
- ADVERTENCIA Mantenga todos los tornillos, piezas pequeñas y bolsas de plástico fuera del alcance de los niños.
- Identifique correctamente todas las piezas antes de montarlas
 - Nunca utilice su artículo si alguna de sus piezas está rota o falta
 - Si surge algún problema, póngase en contacto con nuestro Servicio Postventa
 - Las instrucciones del fabricante deben seguirse en todo momento
 - Cuidado: Limpiar con un paño suave y seco. En caso de manchas más grandes, frote cuidadosamente con una esponja no abrasiva ligeramente humedecida.
 - Evite el riesgo de incendio no colocando los muebles cerca de fuentes de ignición u objetos calientes.
 - No saltar sobre la cama.



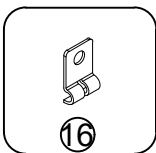


 23  Long: 1.3m

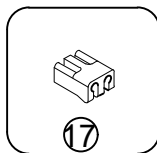
 Long: 3.5m



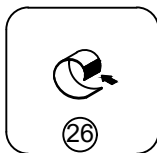
×16PCS



×4PCS

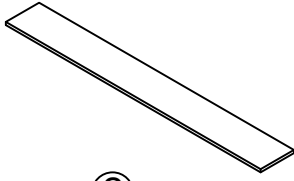


×8PCS



×4PCS

N652P278003



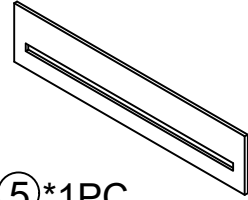
②*1PC



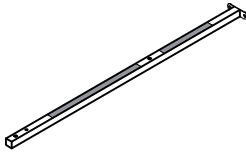
③*1PC



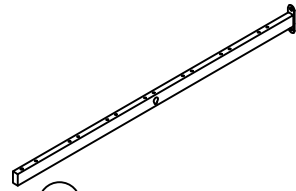
④*1PC



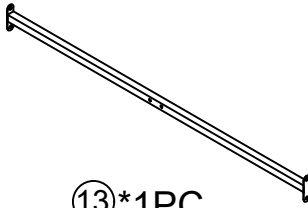
⑤*1PC



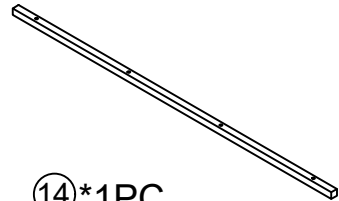
⑨*2PCS



⑫*4PCS



⑬*1PC



⑭*1PC



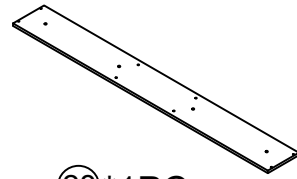
⑳*1PC



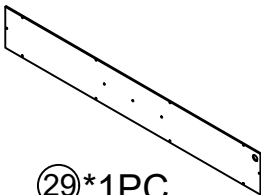
㉕*1PC



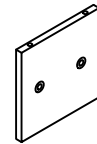
㉗*1PC



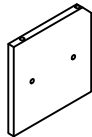
㉘*1PC



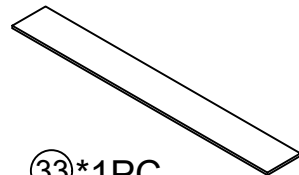
㉙*1PC



㉚*2PCS

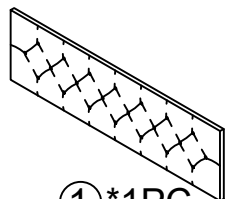


㉛*2PCS

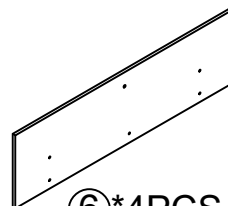


㉜*1PC

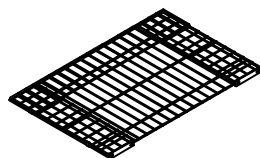
N652P278002



①*1PC



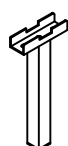
⑥*4PCS



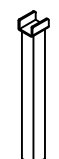
⑦*4PCS



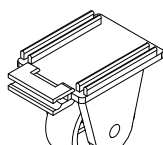
⑧*2PCS



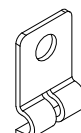
⑩*1PC



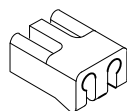
⑪*2PCS



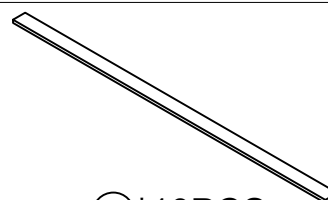
⑮*16PCS



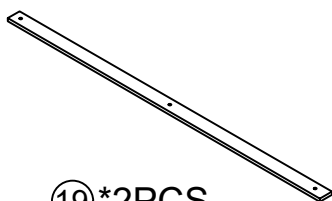
⑯*4PCS



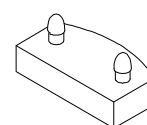
⑰*8PCS



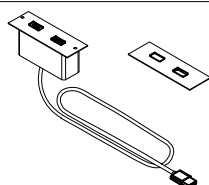
⑱*10PCS



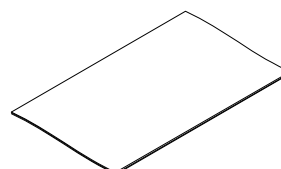
⑲*2PCS



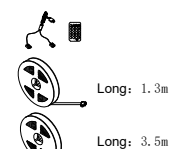
⑳*20PCS



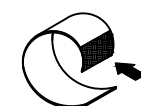
㉑*1PC



㉒*1PC

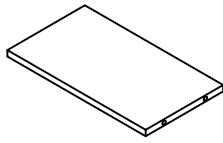


㉓*1PC



㉖*4PCS

N652P278002



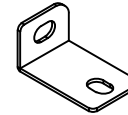
③②*1PC



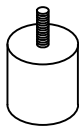
③④*1PC



③⑤*1PC



③⑥*4PCS

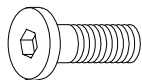


③⑦*2PCS

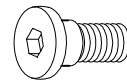
Hardware List-Hardwareliste N652P278002



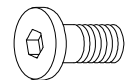
M5×35 mm
A*33PCS



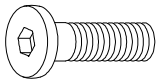
M8×25 mm
B*8PCS



M8×20 mm
C*4PCS



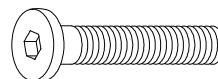
M8×16 mm
D*28PCS



M8×28mm
E*4PCS



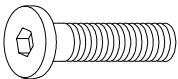
M6×12 mm
F*20PCS



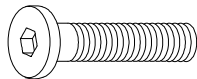
M8×65 mm
G*4PCS



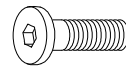
M3×13 mm
H*2PCS



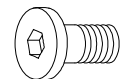
M8×40mm
J*4PCS



M8×50mm
K*4PCS



M6×30 mm
L*6PCS



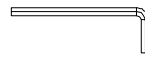
M8×10 mm
M*4PCS



S5
N*1PC

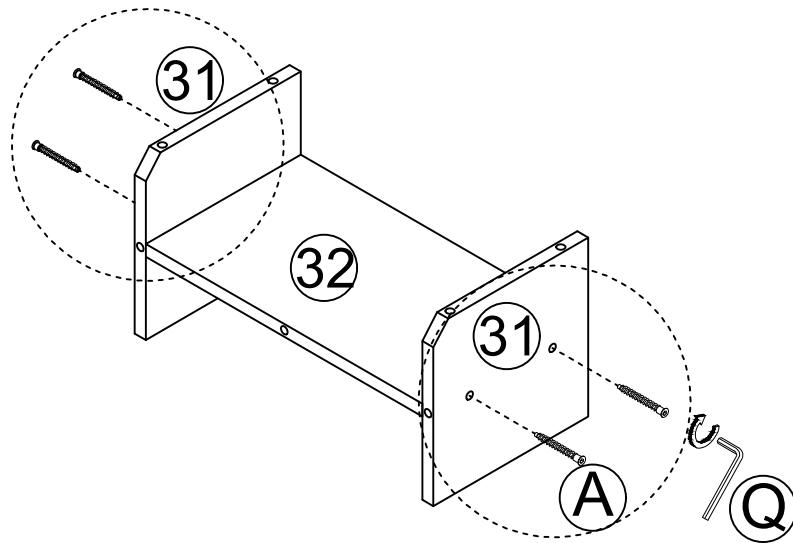


S4
P*1PC

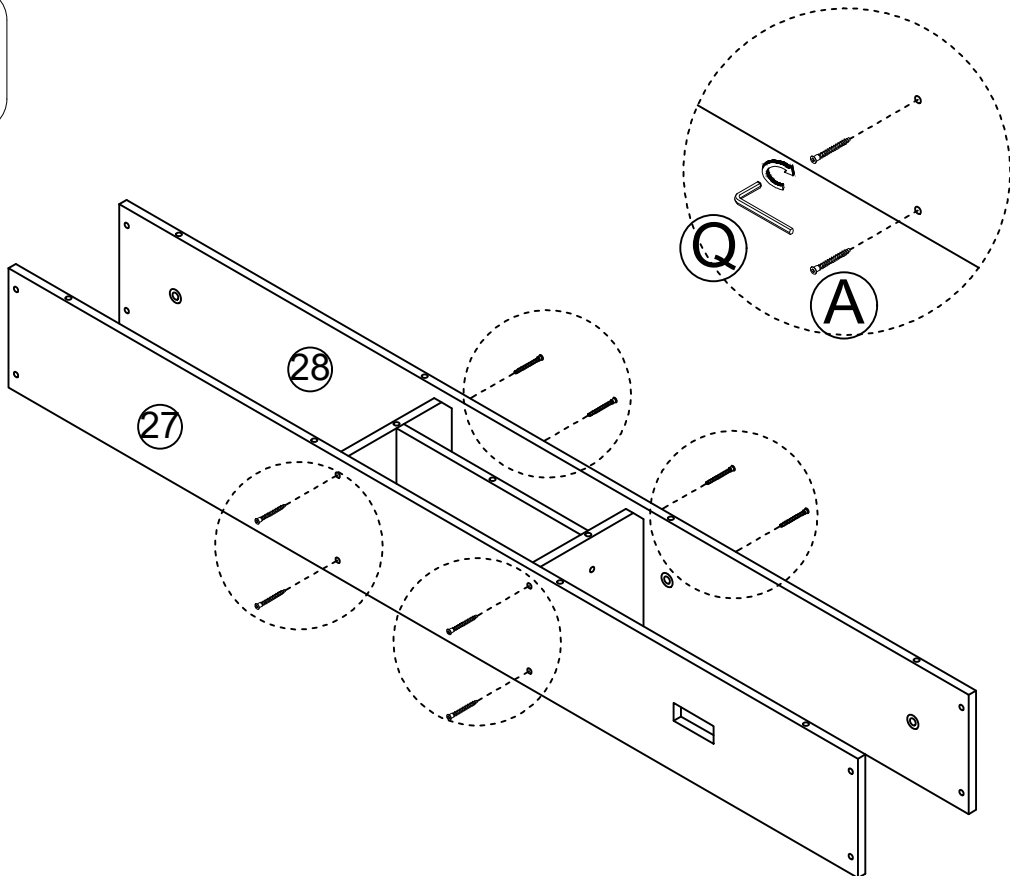


S3
Q*1PC

1 A*4
M5×35



2 A*8
M5×35

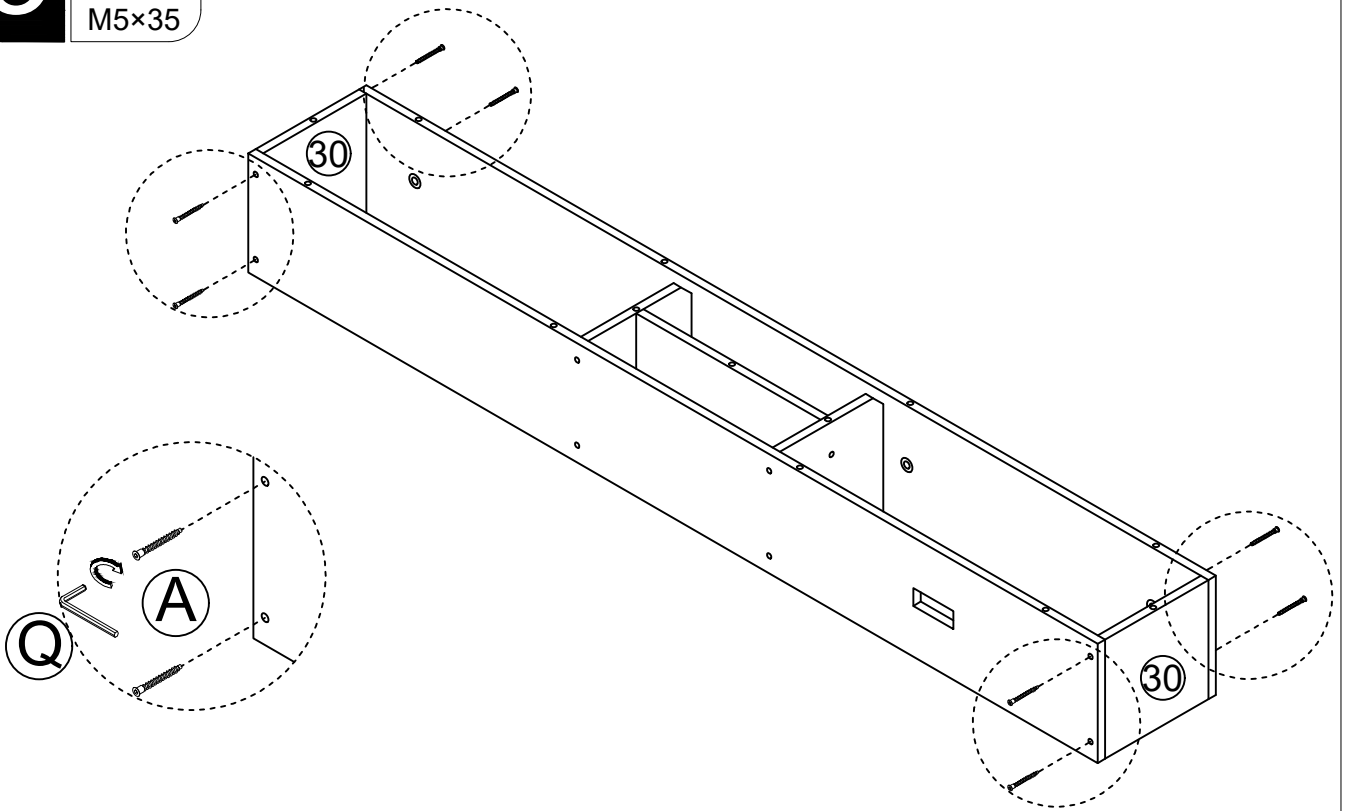


3

A*8



M5×35

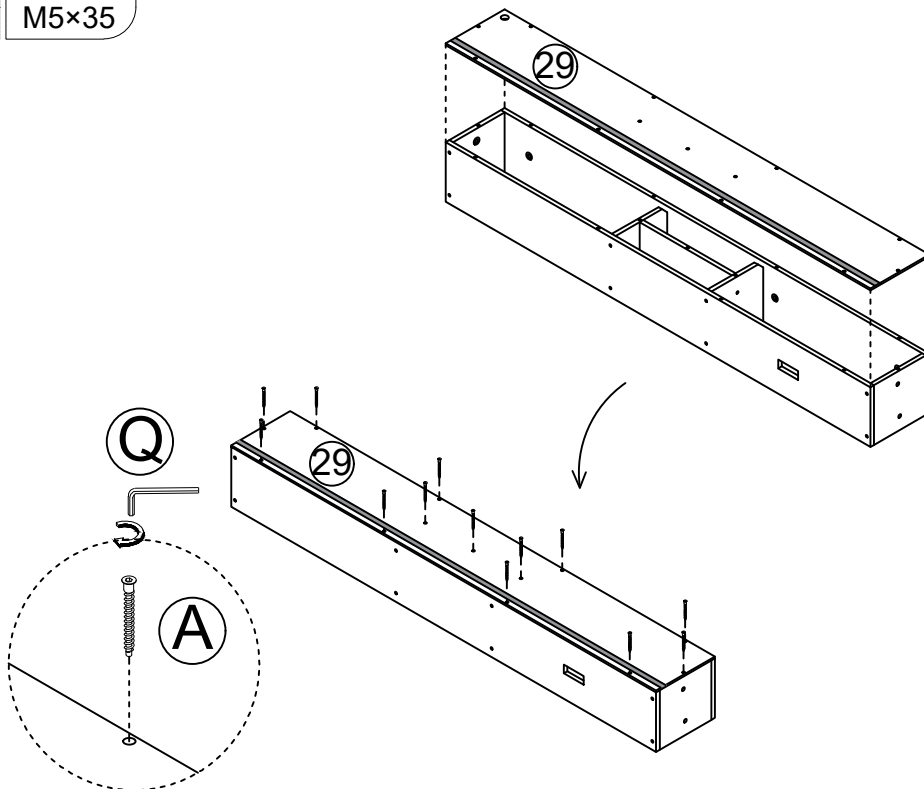


4

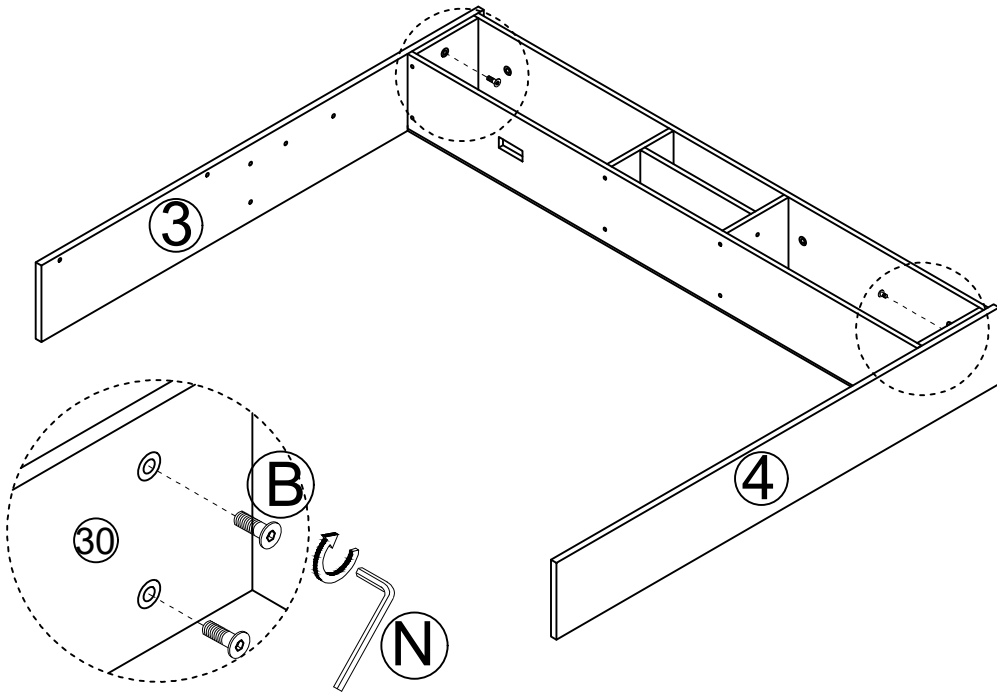
A*13



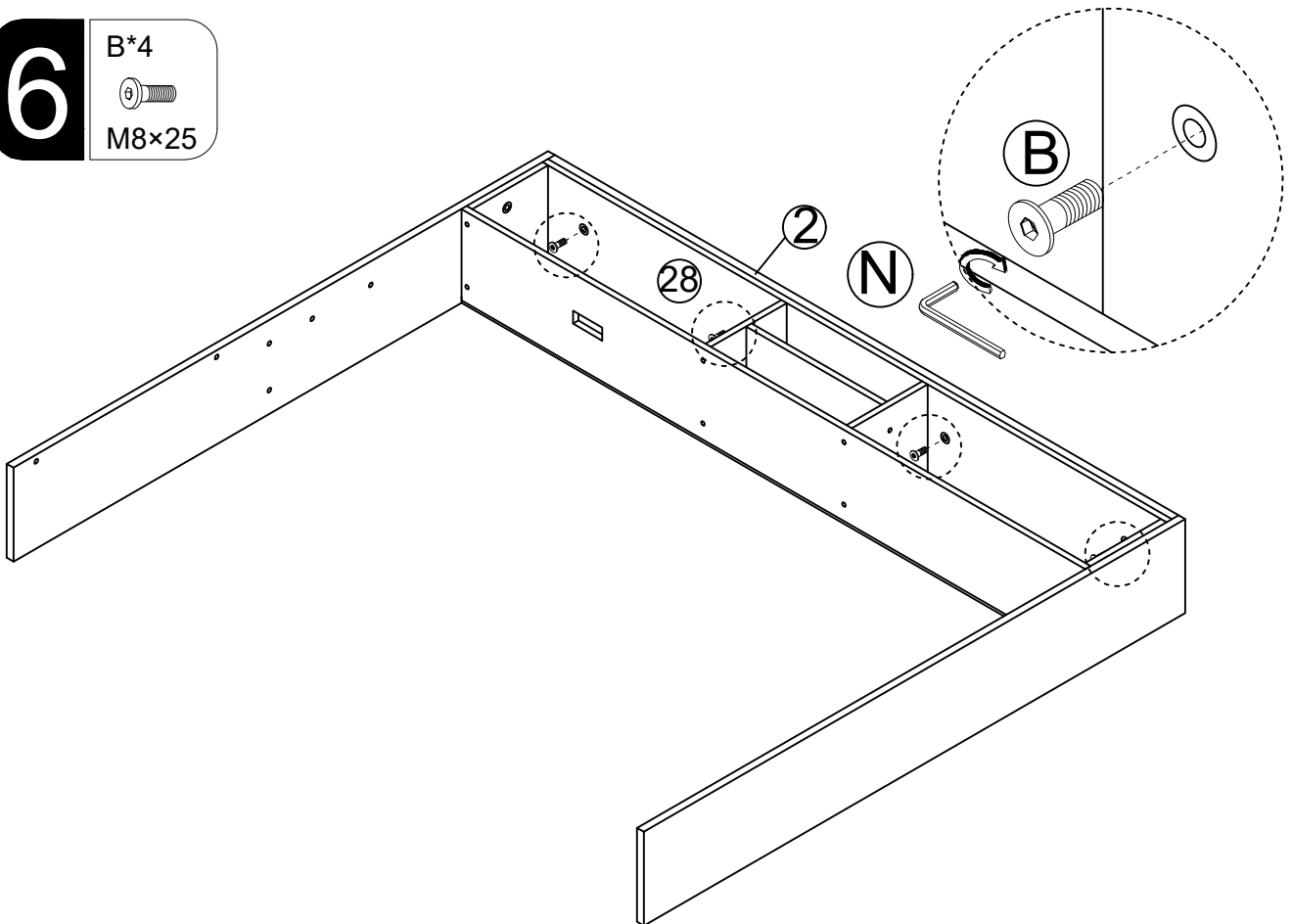
M5×35



5 B*4
M8×25



6 B*4
M8×25



7

M*4

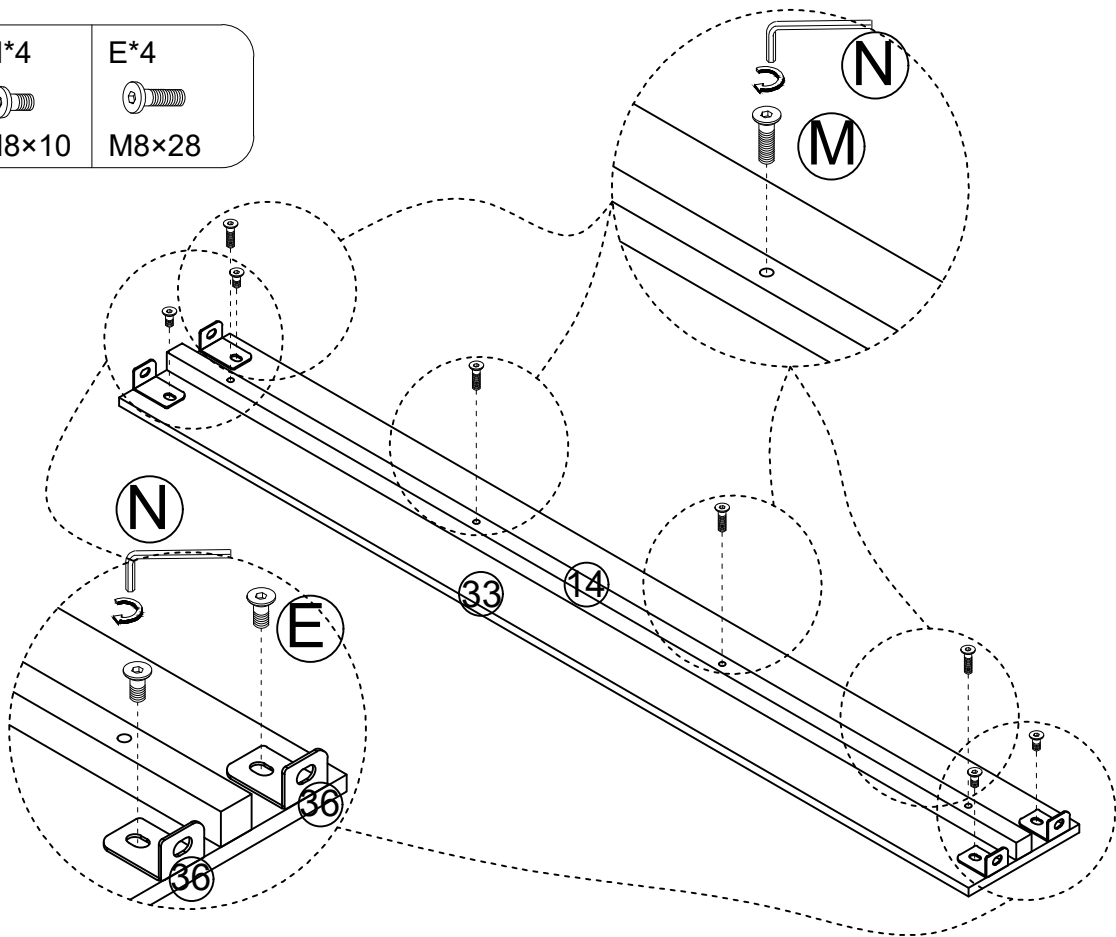


M8x10

E*4



M8x28

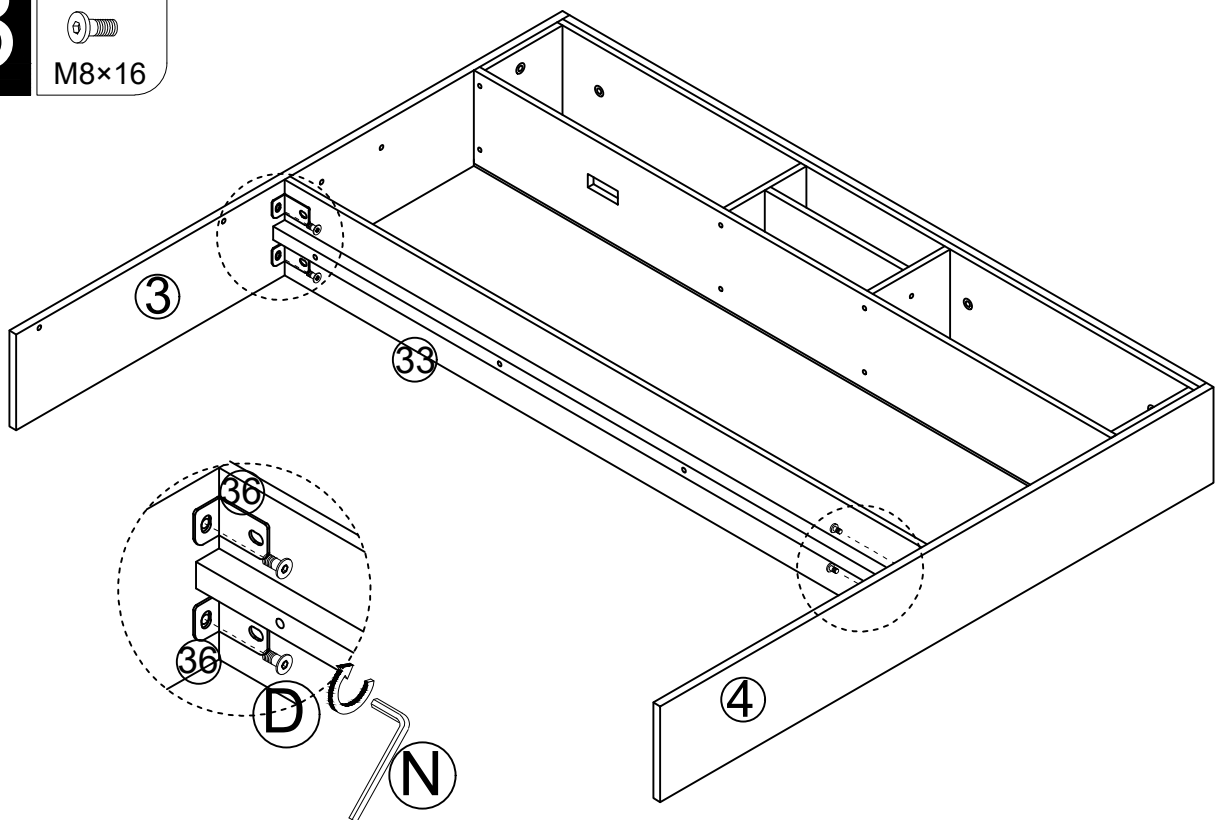


8

D*4



M8x16

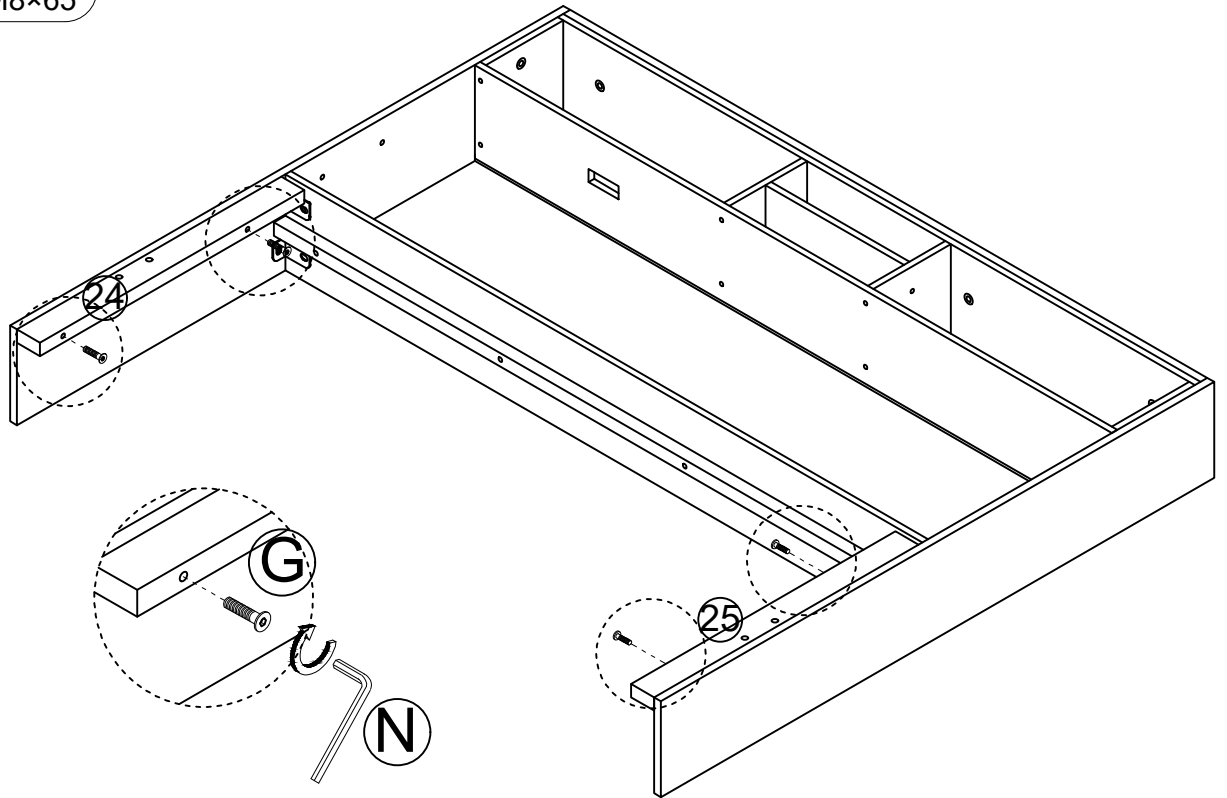


9

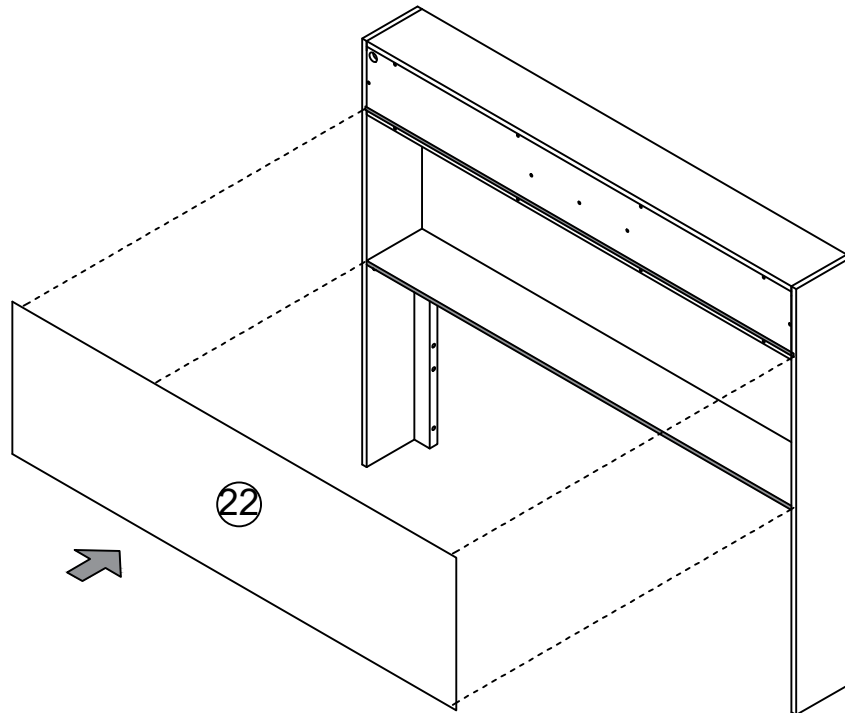
G*4



M8×65

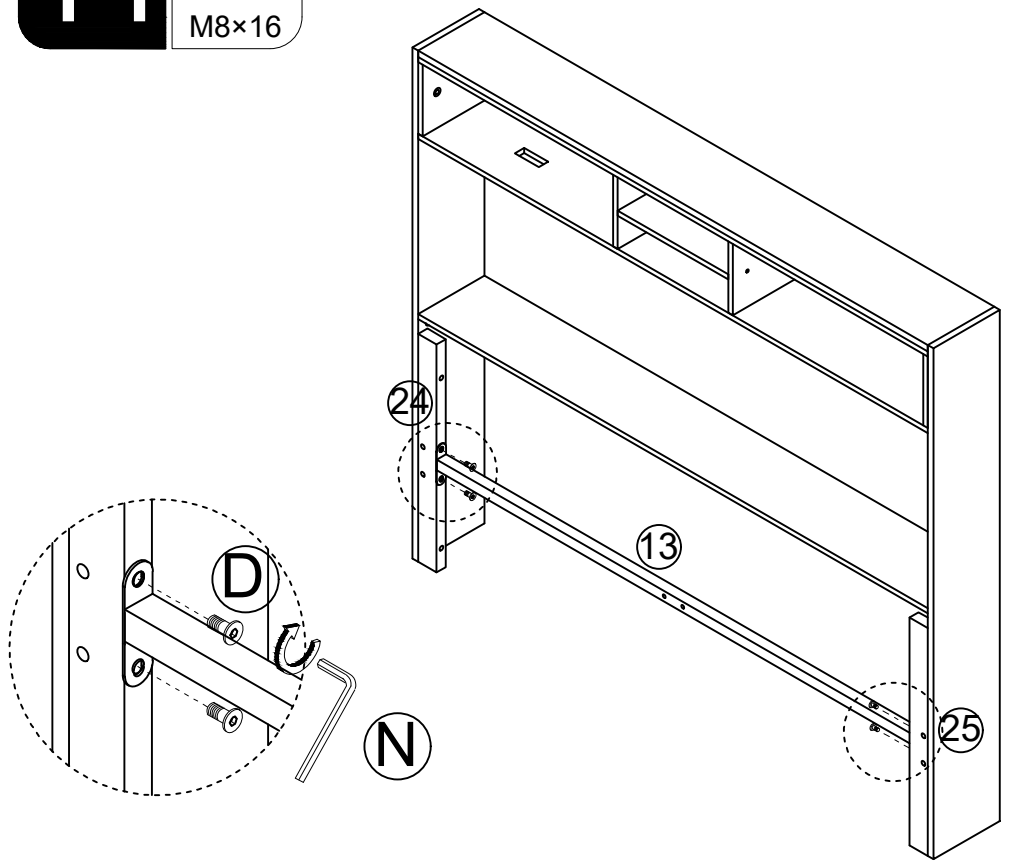


10



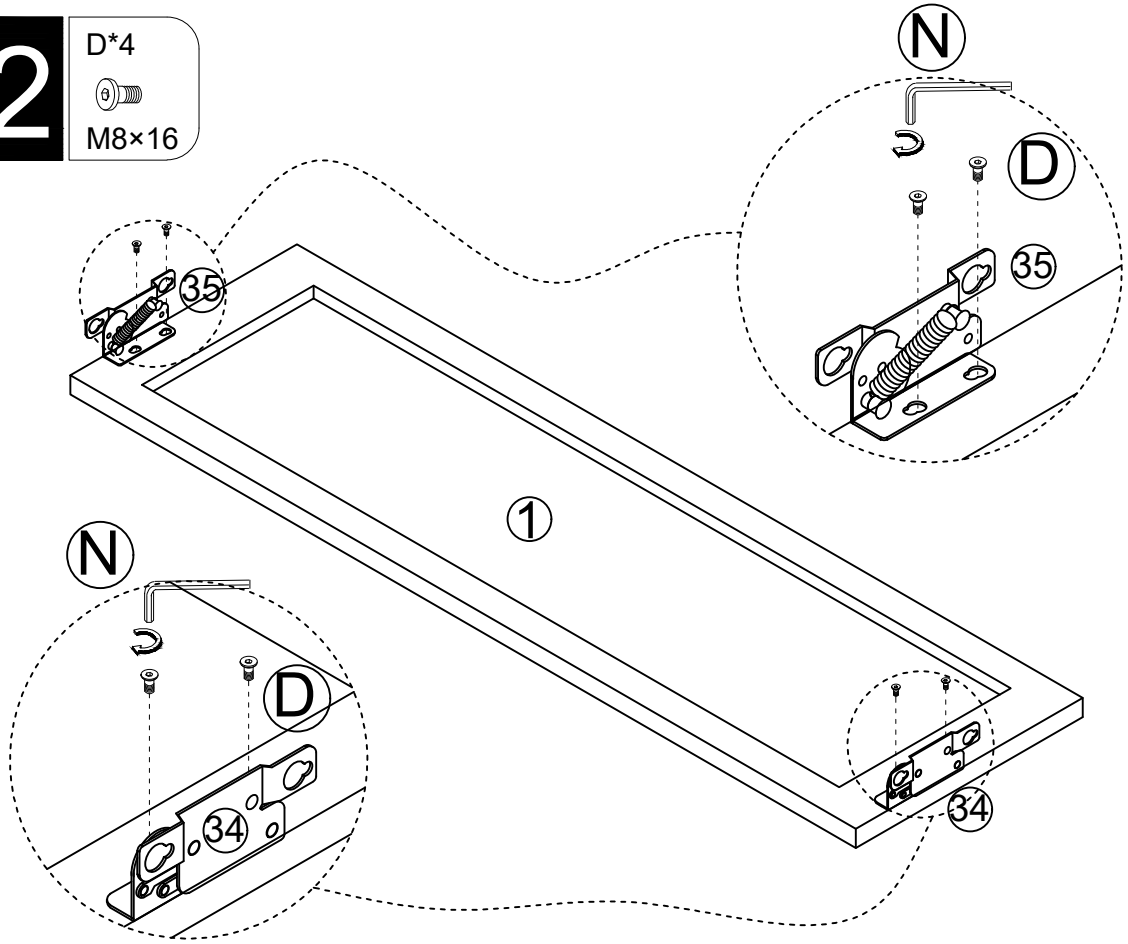
11

D*4
M8×16



12

D*4
M8×16

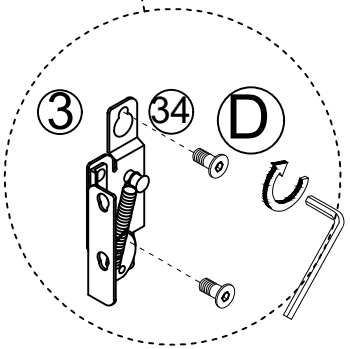
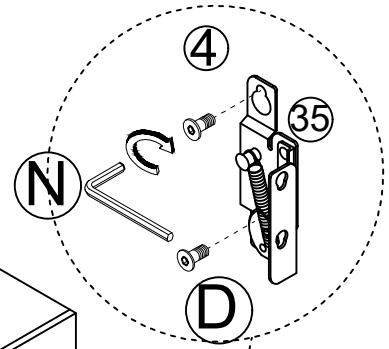
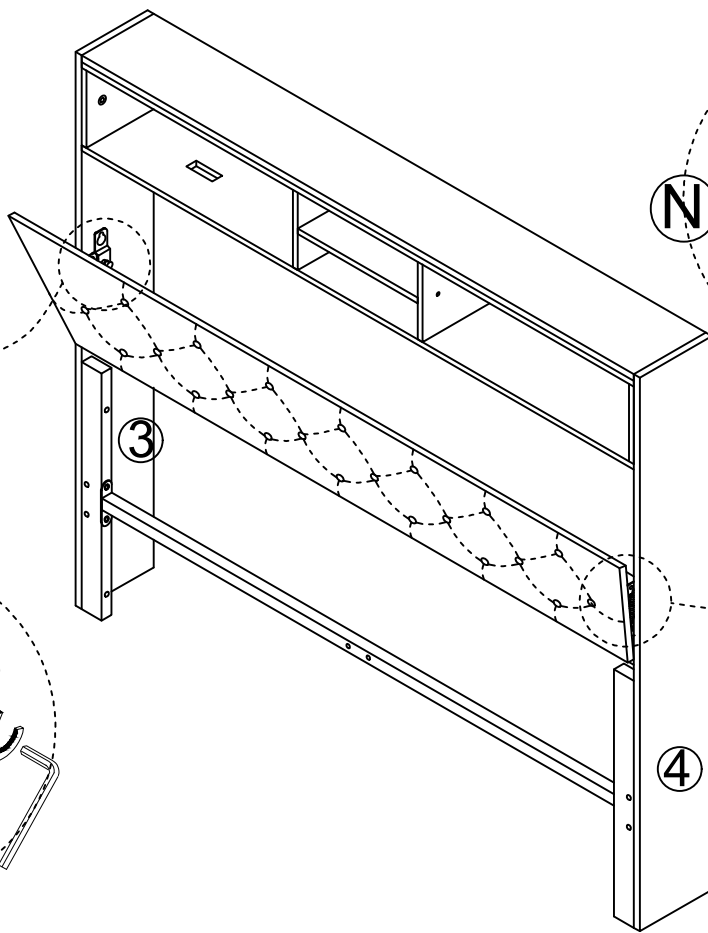


13

D*4



M8x16

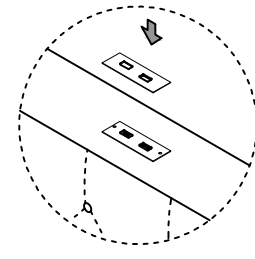
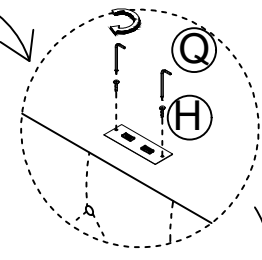
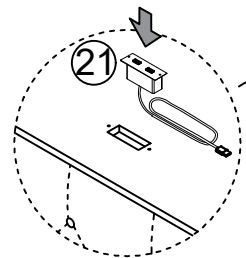
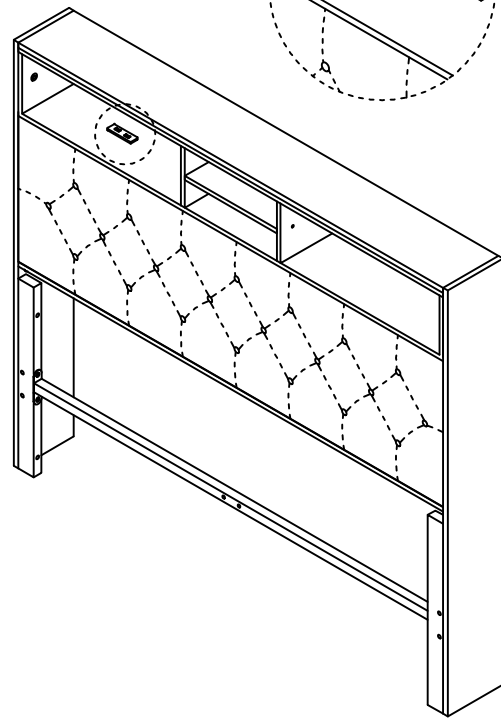


14

H*2



M3x13



15

J*4

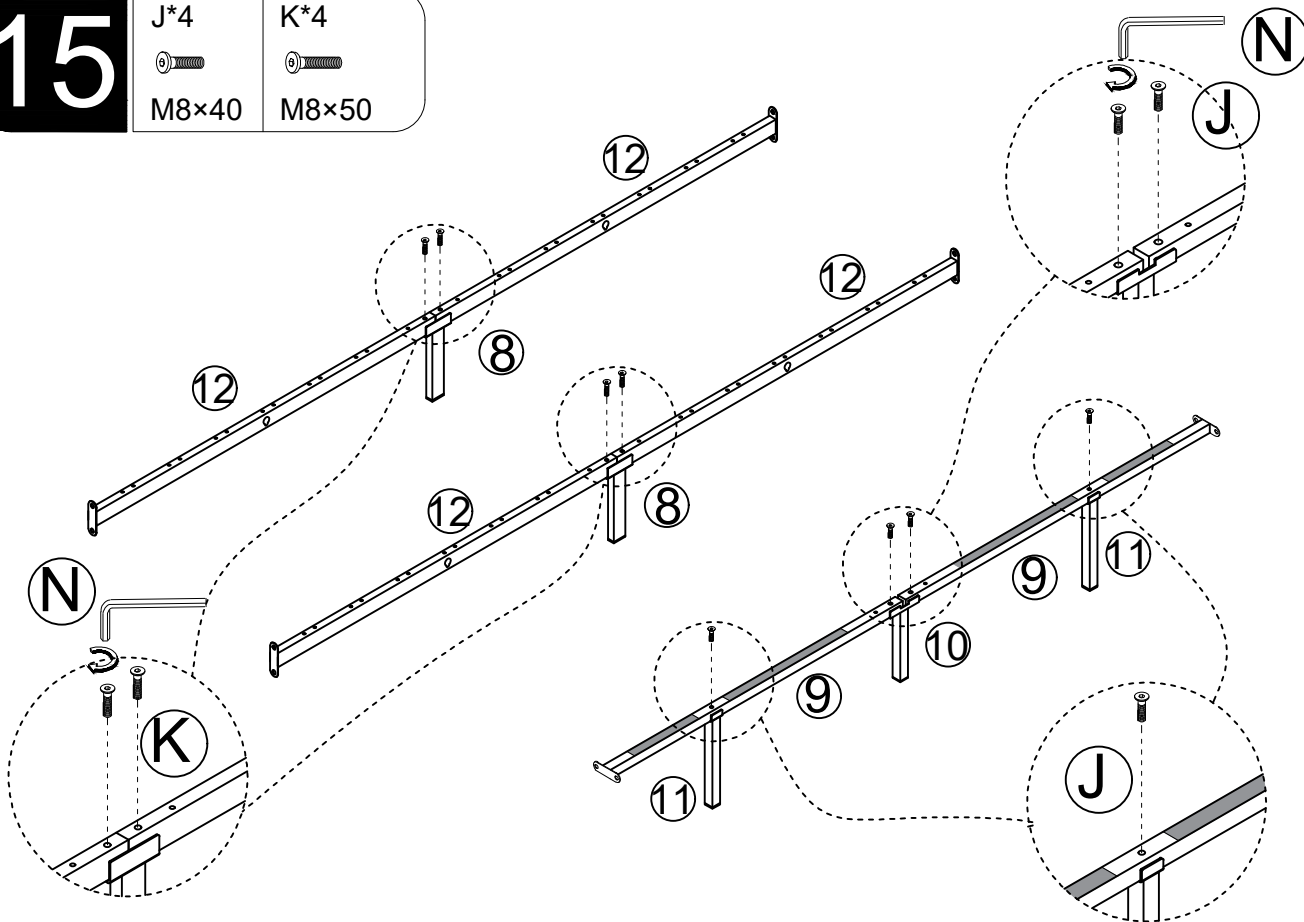


M8x40

K*4



M8x50

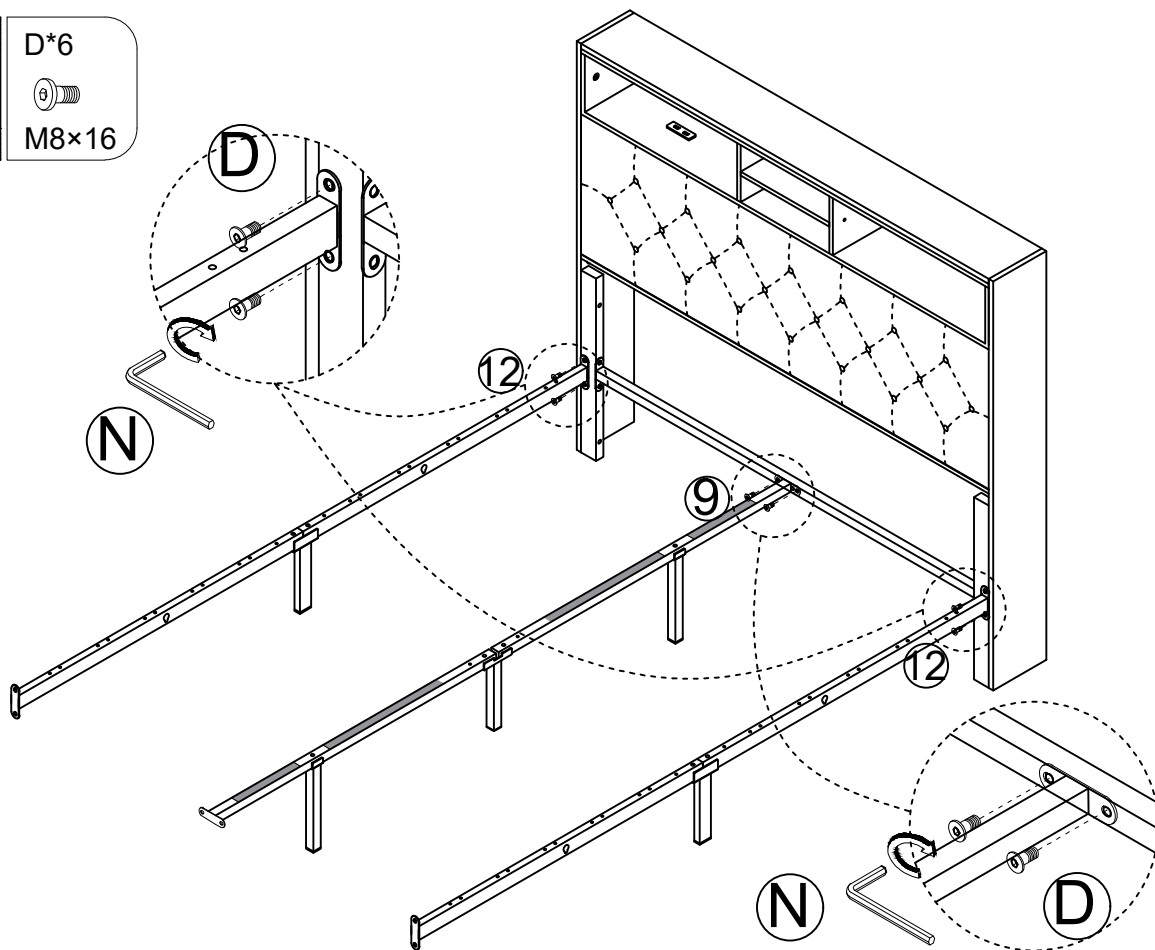


16

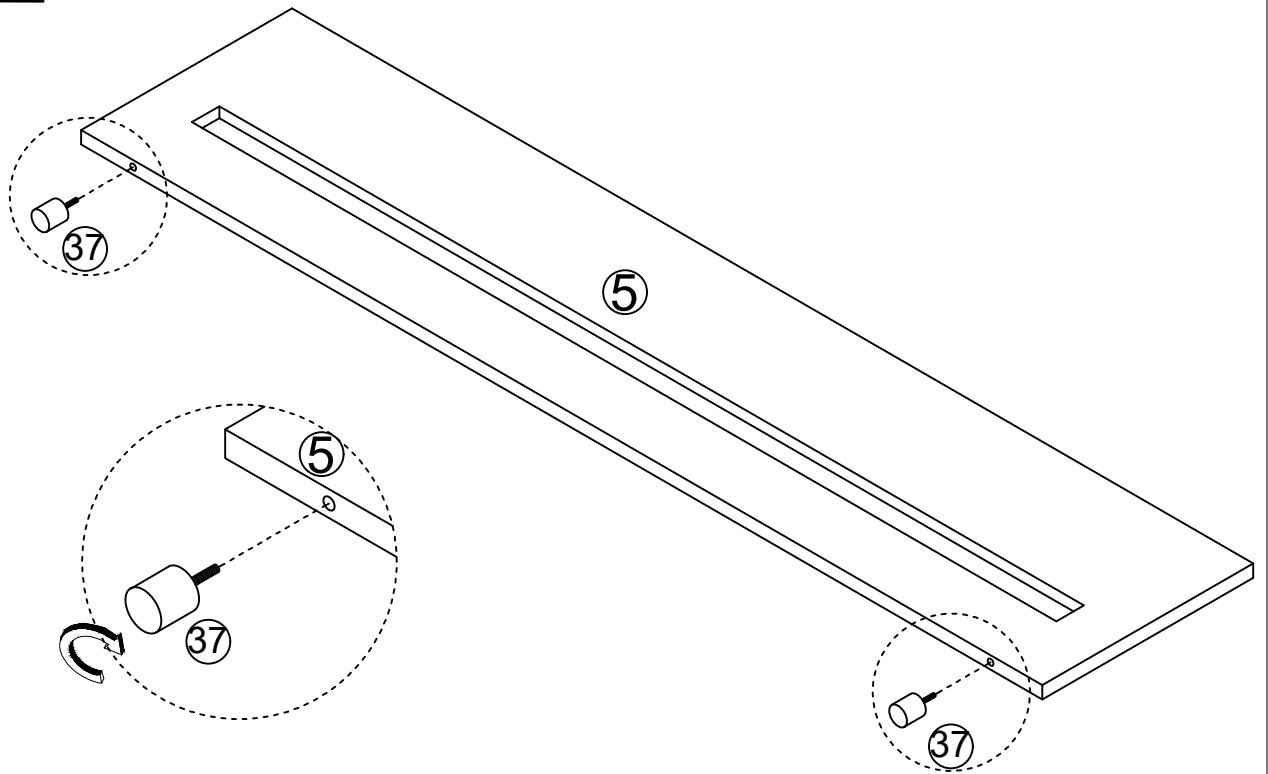
D*6



M8x16

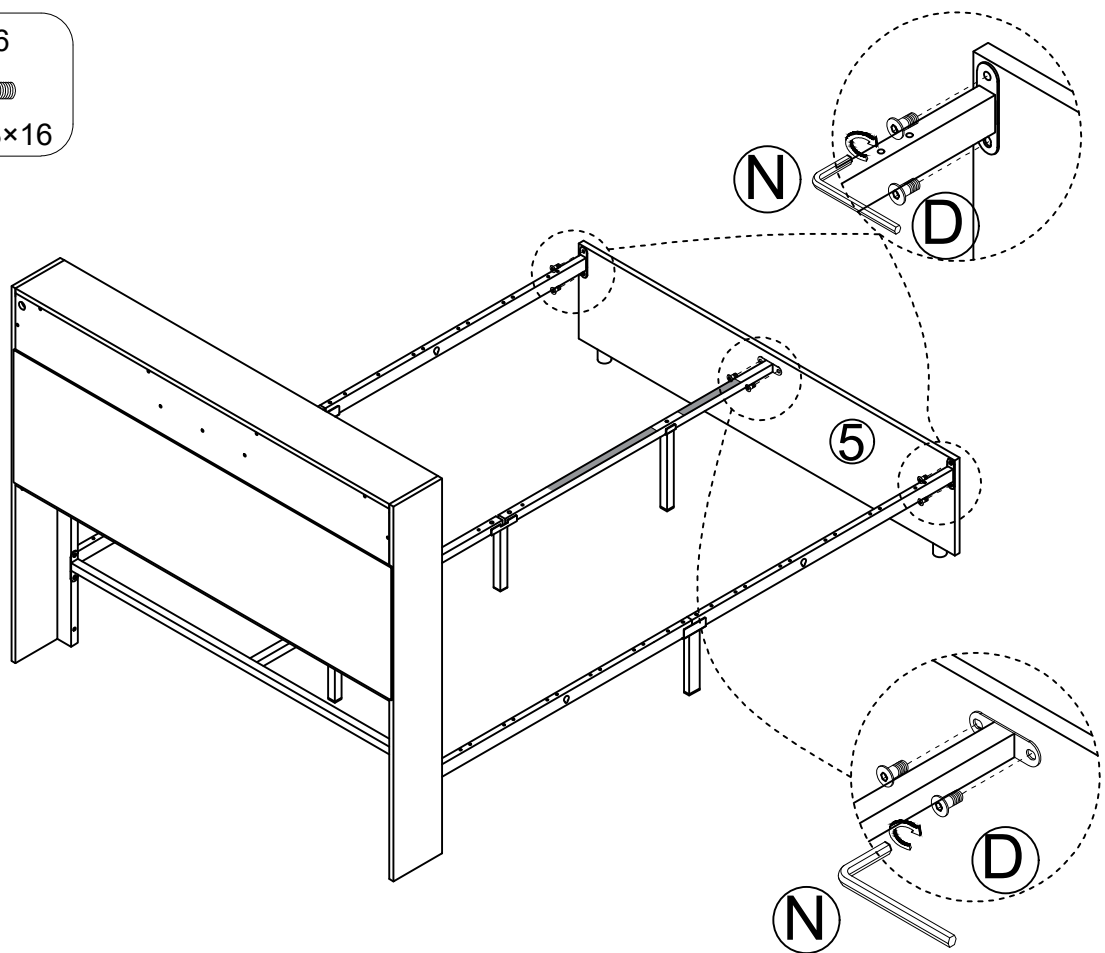


17

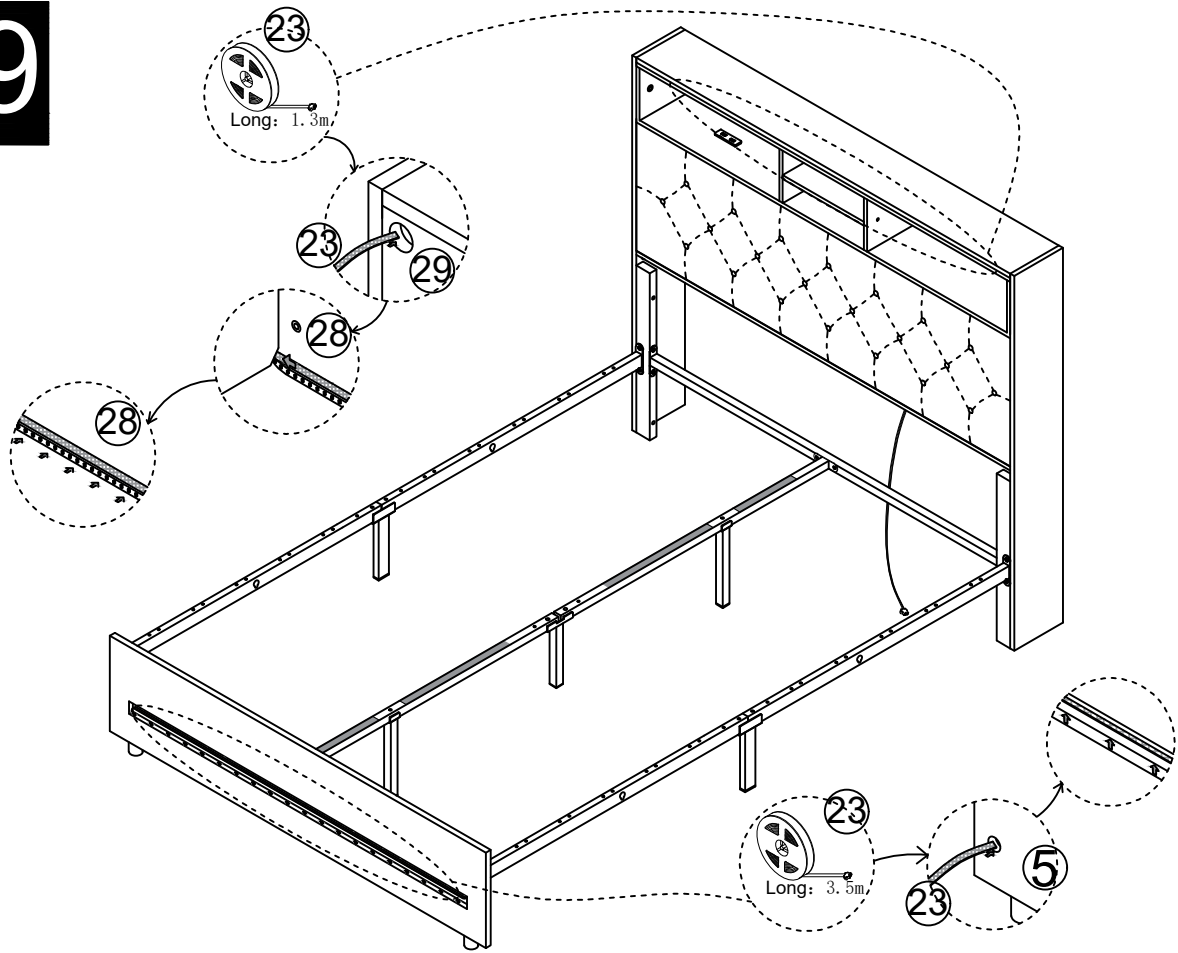


18

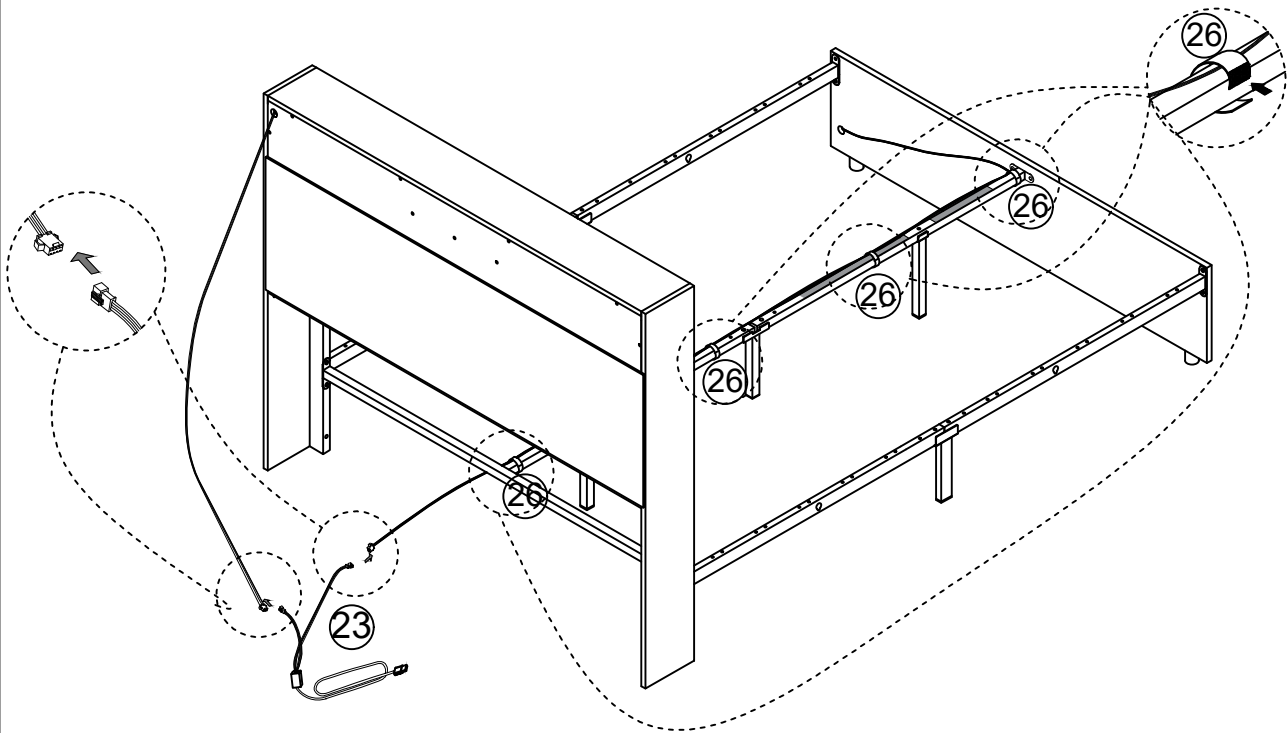
D*6
M8×16



19



20

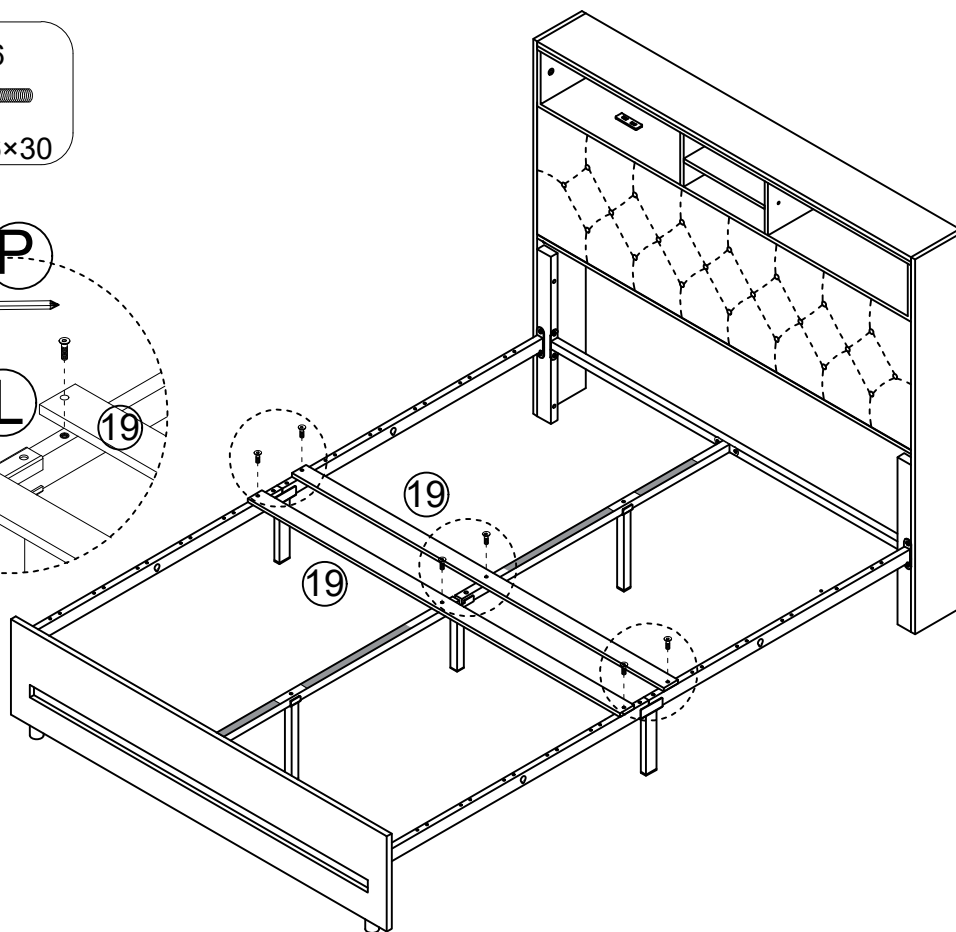
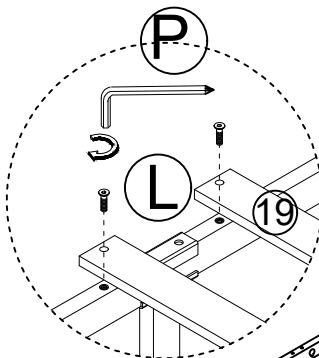


21

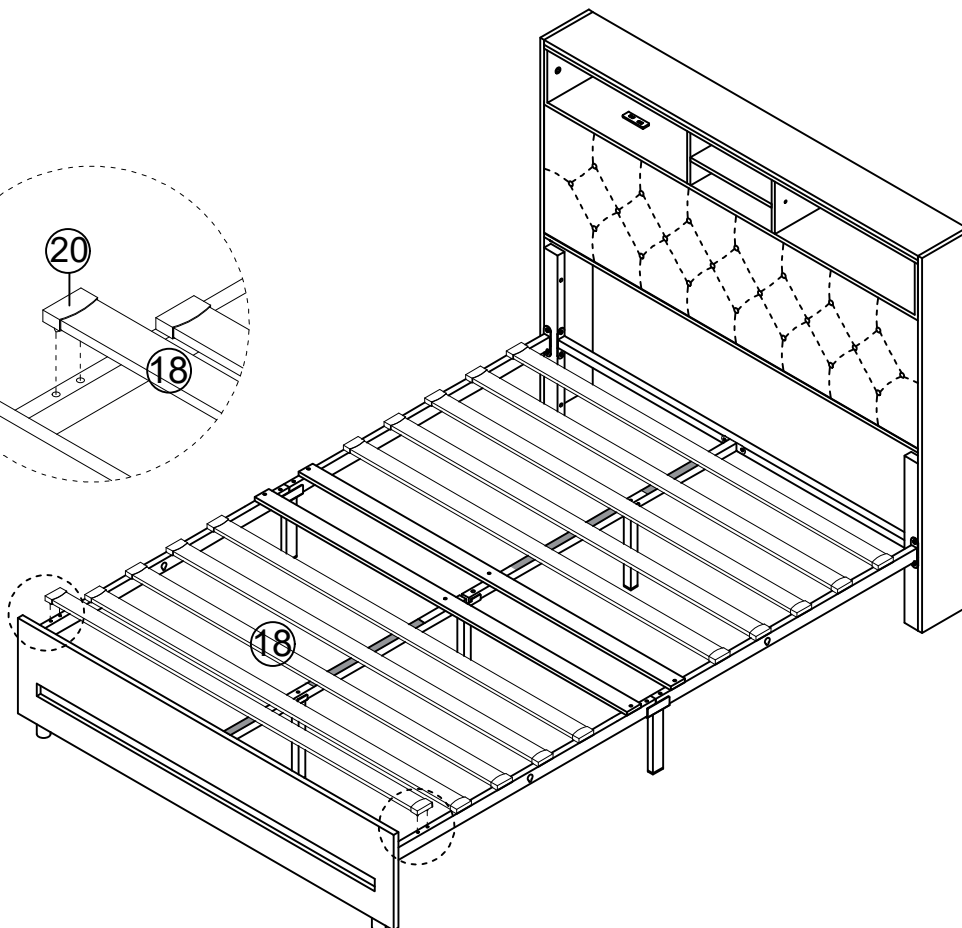
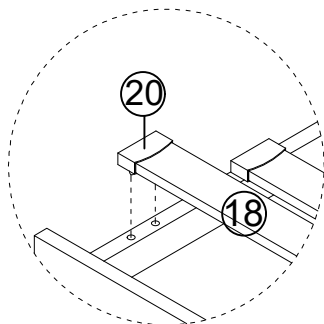
L*6



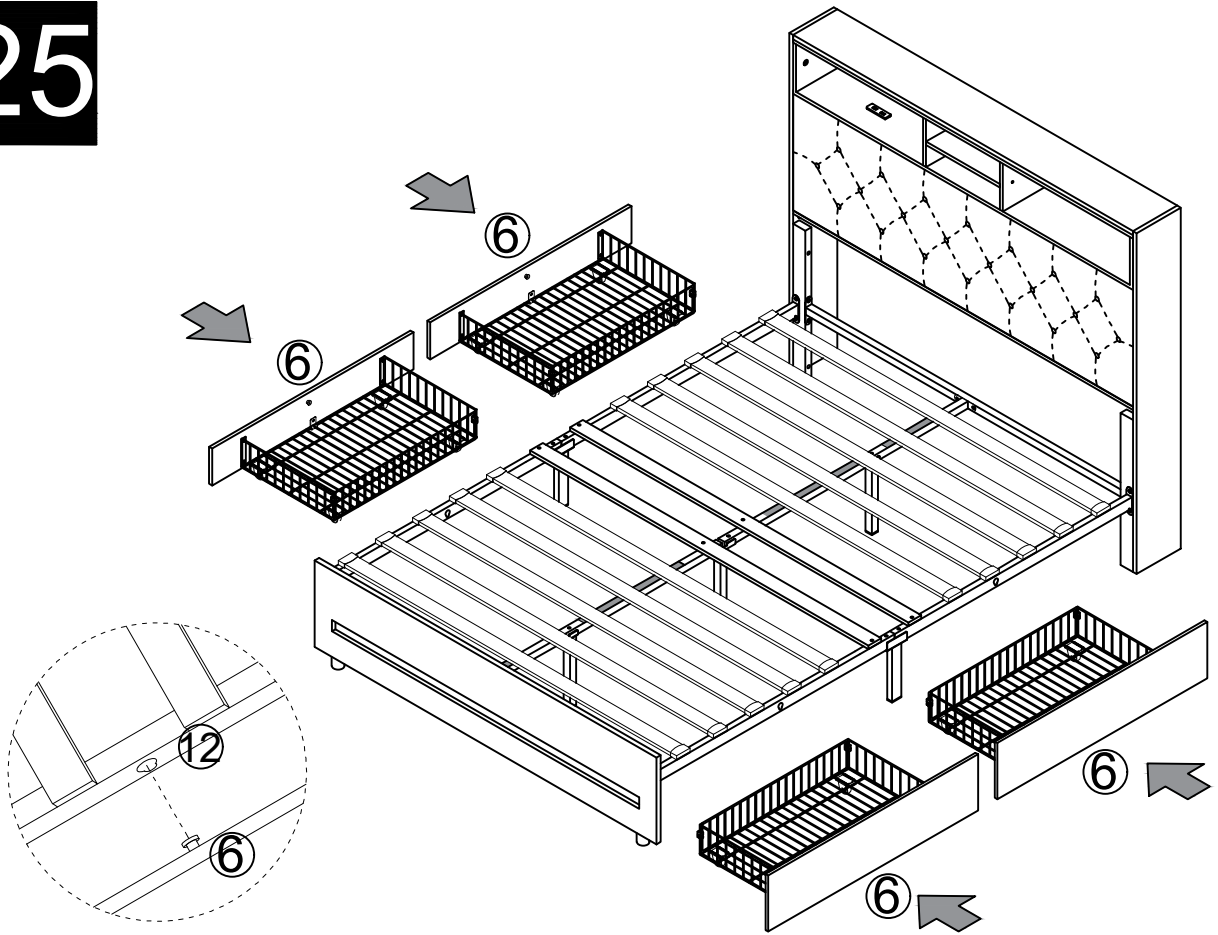
M6x30



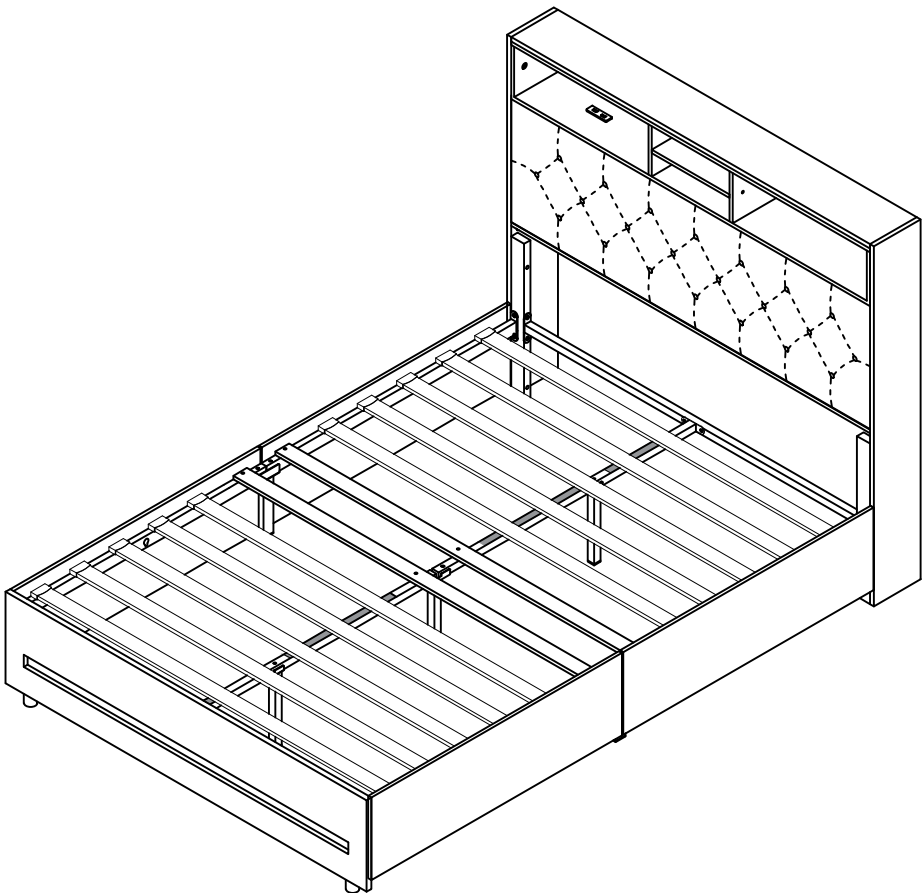
22



25



26



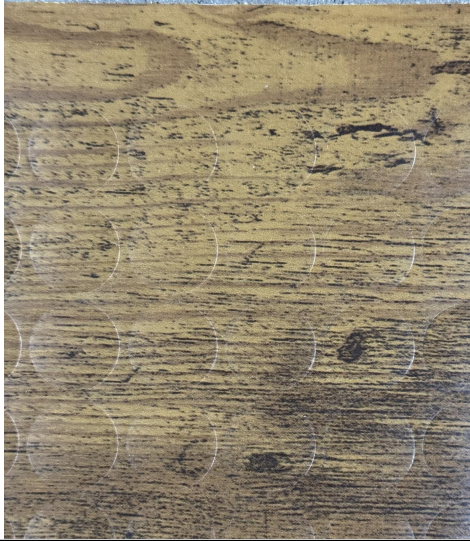
INSTRUCTIONS

IMPORTANT-READ CAREFULLY-RETAIN FOR FUTURE REFERENCE

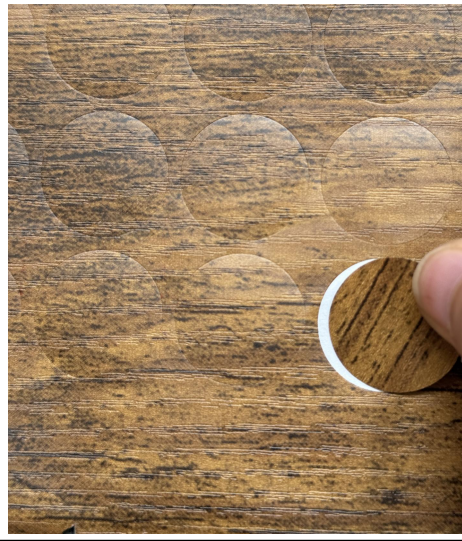
- a) **WARNING** -Children can become trapped between the bed and the wall, the adjoining pieces of furniture (e.g. cupboards) and the like. To avoid risk of serious injury the distance between the safety barrier and the adjoining structure shall not exceed 90 mm or shall be more than 230 mm.
- b) **WARNING**-Do not use the bed if any structural part is broken or missing; Replacement parts are between requested from the manufacturer or the store.
- c) **WARNING**-Do not climb or wiggle on any non-designated structures.
- d) it is imperative to always follow the installation instructions and manufacturer's use.
- e) **The recommended size of the mattress to be used with the bed is 135cmx190cm, maximum thickness mattress:15cm.**
- f) It is necessary to ventilate the room in order to maintain a low level moisture and prevent mold growth in the bed and its periphery.
- g) Joining devices should always be tightened properly and regularly verified. Tighten if necessary.

Optionally, you may conceal the screw holes using the included decorative tape to achieve a cleaner aesthetic for your bed's storage shelf.

①



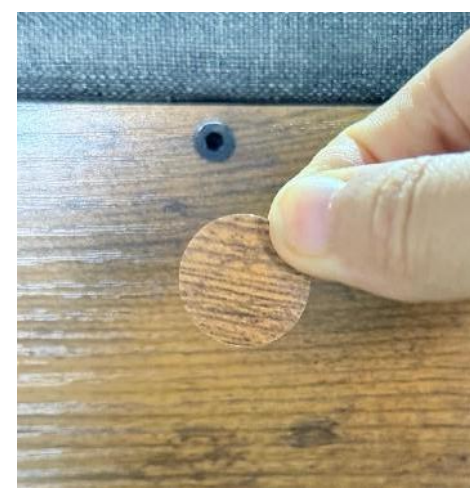
②



③



④



⑤



⑥



GB - NOTE: The battery in the remote control requires you to purchase and install it yourself.
Model: CR2025 3.V

DE - HINWEIS: Die Batterie in der Fernbedienung müssen Sie selbst kaufen und installieren.
Modell: CR2025 3.V

FR - REMARQUE: la pile de la télécommande doit être achetée et installée par vos soins.
Modèle: CR2025 3.V

IT - NOTA: la batteria del telecomando deve essere acquistata e installata autonomamente.
Modello: CR2025 3.V

ES - NOTA: La pila del mando a distancia debe comprarla e instalarla usted mismo.
Modelo CR2025 3.V

①



②



③



④



⑤



⑥



⑦



⑧





Attestation of Compliance

Reference No. : LCSB11014067S

Applicant : DONGGUAN NANFAN ELECTRONIC TECHNOLOGY CO., LTD

Address : Room 202, NO.19, Wanbu Road, Changping Town Dongguan
Guangdong, China

Trade Mark : NANFAN

Product : 5050 RGB LED Strip Lights

Model : NF2460DE

Parameters : 5Vdc, 2A, 10W

Tested according to : EN IEC 60598-2-1:2021;
EN IEC 60598-1:2021+A11:2022;
EN 62493:2015+A1:2022;

The submitted products have been tested by us with the listed standards.

This Attestation of Compliance is issued according to the council Directive 2014/35/EU, Referred to as the Low Voltage Directive. It confirms that the listed product complies with all essential requirements of the LVD Directive and applies only to the sample and its technical documentation submitted to Shenzhen Southern LCS Compliance Testing Laboratory Ltd. for testing.

After preparation of the necessary technical documentation as well as the EC conformity declaration the required CE marking can be affixed on the product. Other relevant Directives have to be observed.



Date of issue: November 20, 2024



ANNEX I



Reference No. : LCSB11014067S

Model(s) :

Model No.	Rating
NF2460DE	5Vdc, 2A, 10W



CE





Attestation of Compliance

Attestation No. : LCSA11014215E

Approval Holder : DONGGUAN NANFAN ELECTRONIC TECHNOLOGY CO., LTD

Address : Room 202, NO.19, Wanbu Road, Changping Town Dongguan
Guangdong, China

Manufacturer : DONGGUAN NANFAN ELECTRONIC TECHNOLOGY CO., LTD

Address : Room 202, NO.19, Wanbu Road, Changping Town Dongguan
Guangdong, China

Brand Name : NANFAN

Product : 5050 RGB LED Strip Lights

Type/Model Name : NF2460DE

H/S Version : HW: /
SW: /

Attestation of the technical design of the radio equipment according to the following essential requirements set out in article 3 of the RED 2014/53/EU:

Article 3.1a): Health and Safety	Conform
Article 3.1b): Electromagnetic Compatibility	Conform
Article 3.2: Effective Use of the Radio Spectrum	Conform

CE-marking

Marking Example (Class 1)



This attestation is issued in accordance with the Directive 2014/53/EU of the European Parliament and of the Council of 16 April 2014 on the harmonisation of the laws of the Member States relating to the making available on the market of radio equipment.

November 21, 2024

Date of issue



Manager



Annex



Applied Standards and Test Reports

Standard	Laboratory	Test Report Number
ETSI EN 301 489-1 V2.2.3 (2019-11) ETSI EN 301 489-17 V3.3.1 (2024-09)	Shenzhen LCS Compliance Testing Laboratory Ltd.	LCSA11014215EA
ETSI EN 300 328 V2.2.2 (2019-07)	Shenzhen LCS Compliance Testing Laboratory Ltd.	LCSA11014215EB
EN 62479:2010 EN 50663:2017	Shenzhen LCS Compliance Testing Laboratory Ltd.	LCSA11014215EC
EN IEC 60598-2-1:2021 EN IEC 60598-1:2021+A11:2022 EN 62493:2015+A1:2022	Shenzhen Southern LCS Compliance Testing Laboratory Ltd.	LCSB11014067S

General Remarks:

1. This conformity assessment is limited to the essential requirements of the RED Directive. Only products fulfilling all essential requirements of all applicable new approach directives may be placed on the market and put into service.
2. Products in compliance with all provisions of the applicable directives providing for the CE marking must bear this marking.
3. The manufacturer shall take all measures necessary so that the manufacturing process and its monitoring ensure conformity of the manufactured radio equipment with the approved type described in the Attestation of Compliance and with the requirements of Directive 2014/53/EU that apply to it.
4. This device also contains frequency bands that are not operational in EU member states. Only the frequency bands used in European Union have been assessed for this attestation.
5. The manufacturer shall draw up a written EU declaration of conformity for each radio equipment type and keep it at the disposal of the national authorities for 10 years after the radio equipment has been placed on the market. The EU declaration of conformity shall identify the radio equipment type for which it has been drawn up. A copy of the EU declaration of conformity shall be made available to the relevant authorities upon request.





Attestation of Compliance

Reference No. : LCSB11014066E

Applicant : DONGGUAN NANFAN ELECTRONIC TECHNOLOGY CO., LTD

Address : Room 202,NO.19, Wanbu Road, Changping Town Dongguan
Guangdong, China

Trade Mark : NANFAN

Product : 5050 RGB LED Strip Lights

Model(s) : NF2460DE

Tested according to : EN IEC 55015:2019+A11:2020
EN IEC 61547:2023

The submitted products have been tested by us with the listed standards.

This Attestation of Compliance is issued according to the council Directive 2014/30/EU, Referred to as the Electromagnetic Compatibility. It confirms that the listed product complies with all essential requirements of the EMC directive and applies only to the sample and its technical documentation submitted to Shenzhen Southern LCS Compliance Testing Laboratory Ltd.for testing.

After preparation of the necessary technical documentation as well as the EC conformity declaration the required CE marking can be affixed on the product.Other relevant Directives have to be observed.



Date of issue: November 15, 2024

