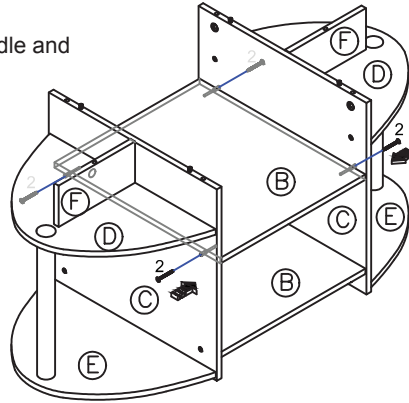


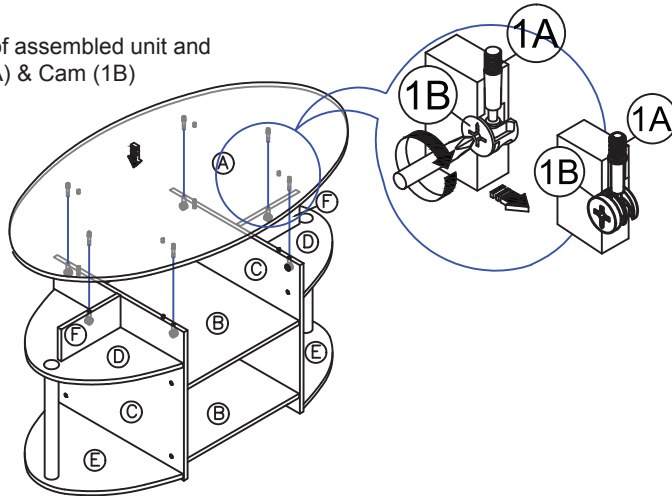
STEP 6

Attach another Center Shelf Panel (B) in the middle and tighten with Screw (2) as shown.

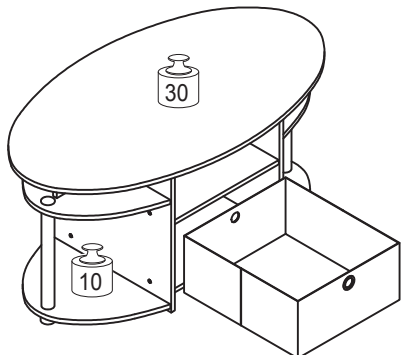


STEP 7

Attach Panel (A) to the top of assembled unit and tighten with Mini Fix Bolt (1A) & Cam (1B) using screwdriver as shown.



Recommended Maximum Weight



WARNING:

>This unit has been designed to support the maximum loads shown. Exceeding these load limits could cause sagging, instability, product collapse, and/or serious injury.

>DO NOT allow children to climb on unit.

>Put heavier items on lower shelves.



Assembly Instruction

Furinno JAYA Simple Design Oval Coffee Table with Bin

MODEL : 15079

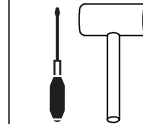
DIMENSION : 35.4"(W) x 16.4"(H) x 19.7"(D)

00:30

Approx. 30 minutes



Recomm. 2 Person



Tool Required

















Customer Support

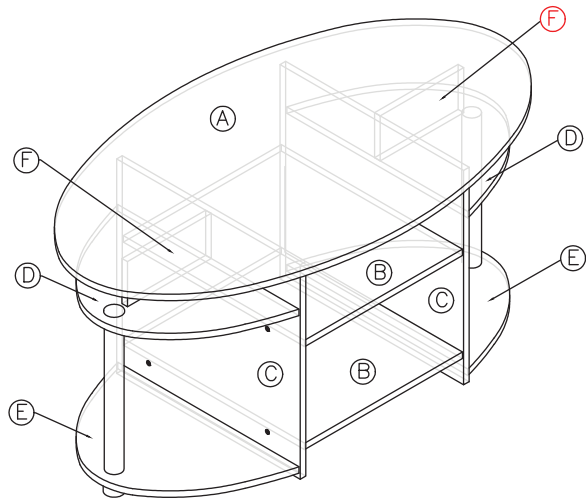
NEED HELP? For help with assembly, or if you are missing a part, please call Furinno Customer Service, 1-773-299-8111 from Mon-Fri, 9am-5pm (CST) or email: support@furinno.com

www.furinno.com



No	Hardware List	Qty
1	Mini Fix Bolt & Cam  1A 1B	6pcs
2	C/B Screw 	20pcs
3	Dowel 	4pcs
4	Round Pole 	2pcs
5	Short Round Leg 	2pcs
6	Top Cap 	2pcs
7	Non Woven Bin 	1pc
8	Nail Leg 	4pcs

No	Parts List	Qty
A	Top Panel 	1pc
B	Center Shelf Panel 	2pcs
C	Side Panel 	2pcs
D	Side Shelf Panel (L/R) 	2pcs
E	Side Bottom Panel (L/R) 	2pcs
F	L/R Upper Support Panel 	2pcs

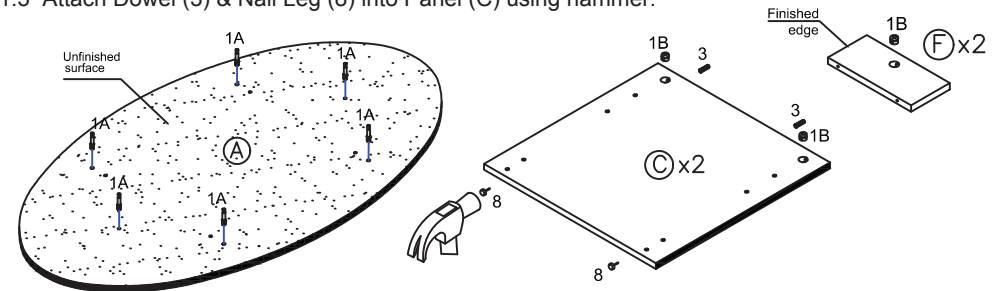


USEFUL HINTS BEFORE YOU START:

1. Read each step carefully before starting.
2. It is important that each step is performed in correct order to avoid difficulties.
3. Identify, sort and count the parts before assembly.
4. Assemble your furniture on packaging cardboard to prevent scratch or damage.
5. Clean the product with mild cleanser using soft damped cloth. Do not use harsh or abrasive cleanser.
6. Using incompatible hardware might cause damage to product.

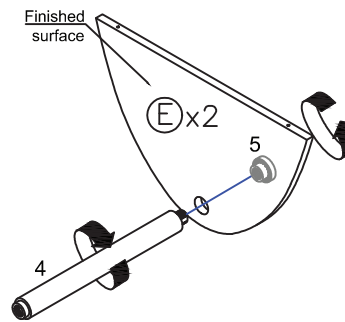
STEP 1

- 1.1 Insert Mini Fix Bolt (1A) into Panel (A) using screwdriver.
- 1.2 Insert Mini Fix Cam (1B) into Panel (C)&(F).
- 1.3 Attach Dowel (3) & Nail Leg (8) into Panel (C) using hammer.



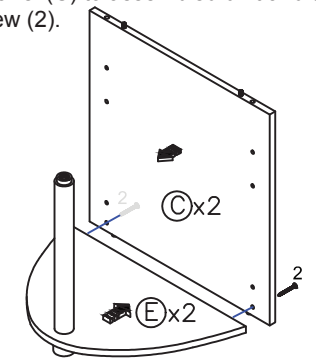
STEP 2

Attach Short Round Leg (5) together with Round Pole (4) into Panel (E) as shown.



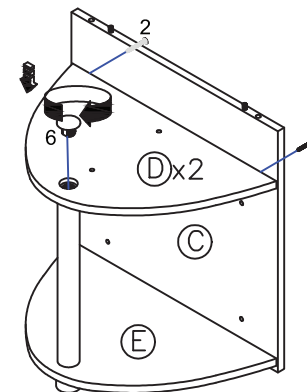
STEP 3

Attach Panel (C) to assembled unit and tighten it with Screw (2).



STEP 4

Attach Panel (D) to assembled unit with Screw (2) and Top Cap (6) as shown.



STEP 5

Attach two assembled unit with Center Shelf Panel (B) and tighten with Screw (2).

