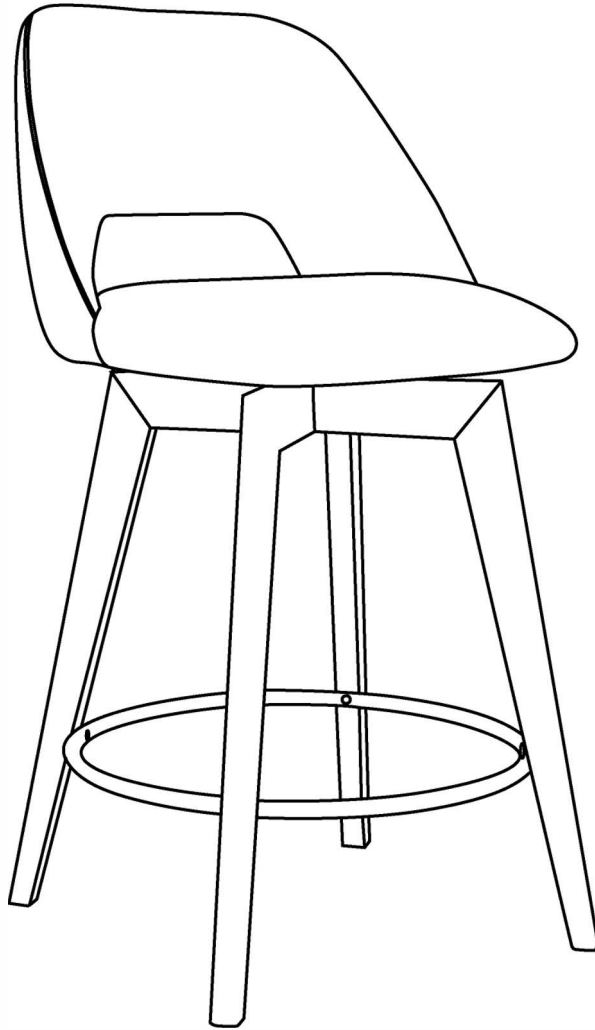


BAR STOOLS

ASSEMBLY INSTRUCTIONS



HALF HOUR
ASSEMBLY TIME

2 PEOPLE
REQUIRED FOR ASSEMBLY

1 X 1 M
FLOOR SPACE REQUIRED

INSTALLATION SUGGESTIONS

PLEASE READ ALL THE INSTRUCTIONS CAREFULLY BEFORE ASSEMBLING AND USING THE PRODUCT.


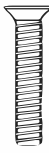
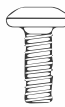

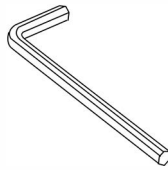
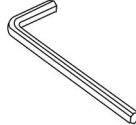
1. Please check whether all parts are complete according to the installation instructions.
2. Please ensure that the installation space is clean and flat to avoid dirt and damage to the product parts.
3. In each step, do not tighten bolts/screws completely until all bolts/screws are lined up and tightened 70% separately. Do not over tighten bolts/screws to avoid stripping.
4. We recommend that all assembled parts should be placed near the assembly location to avoid loss or forgetting while assembling.

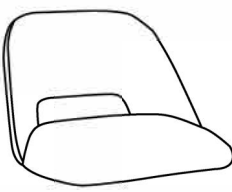
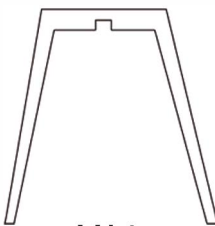
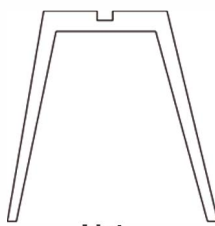
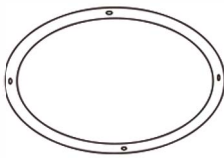
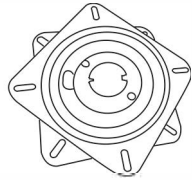
TIPS FOR GIVING FEEDBACK

Please provide helpful information. We will give you feedback within 24h.

1. Describe your problem in detail and explain it with some clear multi-angle photos of the problem area.
2. Send your order ID and the letter number and quantity of the part in question from the parts list.
3. A clear photo of the side of the box that has the product information or the label on the bottom of the cushion.

PARTS AND HARDWARE LIST

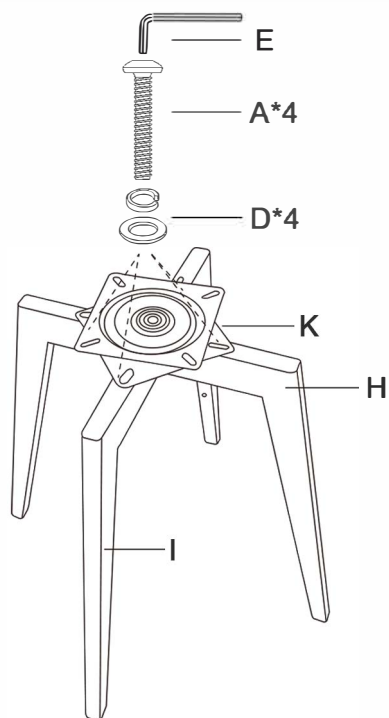
 M6*55mm A*4	 M6*30mm B*4	 M6*20mm C*4	 D*8	 E*1	 F*1
--	--	--	---	---	---

 G*1	 H*1	 I*1	 J*1	 K*1
---	---	---	--	---

ASSEMBLY STEPS

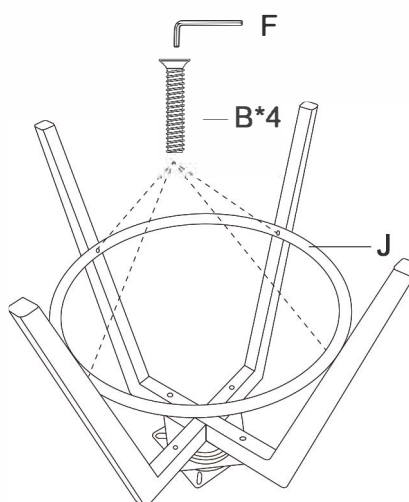
Assembly tips:

1. In step 1, tighten the screws to 70% first. After aligning and screwing in the screws in step 2, then tighten all the screws in the first 2 steps.
2. The turntable can be rotated to stagger the top and bottom 2 surfaces for easy installation.



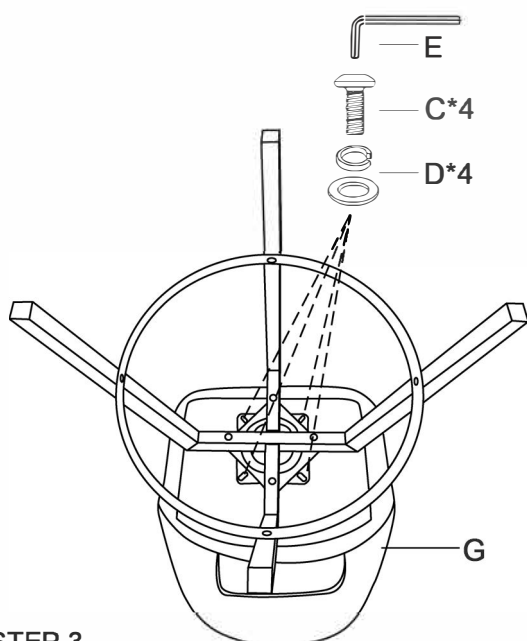
STEP 1.

Put leg (H) and leg (I) together, then secure turntable (K) to leg(H) and leg (I) with screws & washers (A*4 & D*4). Please tighten screws A to 70%.



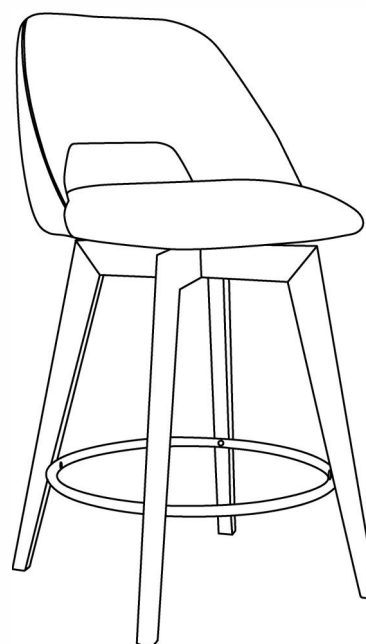
STEP 2.

Secure the footrest (J) to the leg (H) and leg (I) with screws(B*4). Please tighten the B screws to 70% first. After all screws are installed tighten all screws to 100%.



STEP 3.

Secure the turntable (K) on the base to the seat(G) with screws & washers(C*4 & D*4).



STEP 4.

Congratulations! You have possessed an exquisite barstool.

WARRANTY TERMS & CONDITIONS

1. We provide warranty for the product for one year.
2. The warranty period starts on the delivery date.
3. If the product has quality problems, contact us and we promise we will solve it for you.

CORRECT SITTING POSITION

