

ASSEMBLY INSTRUCTIONS

Model Name

Article Number

FAC :#21

SCANDIK

137-009

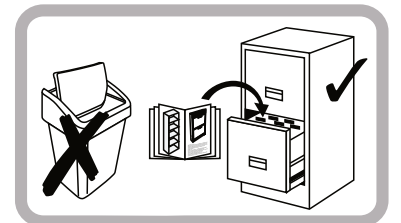
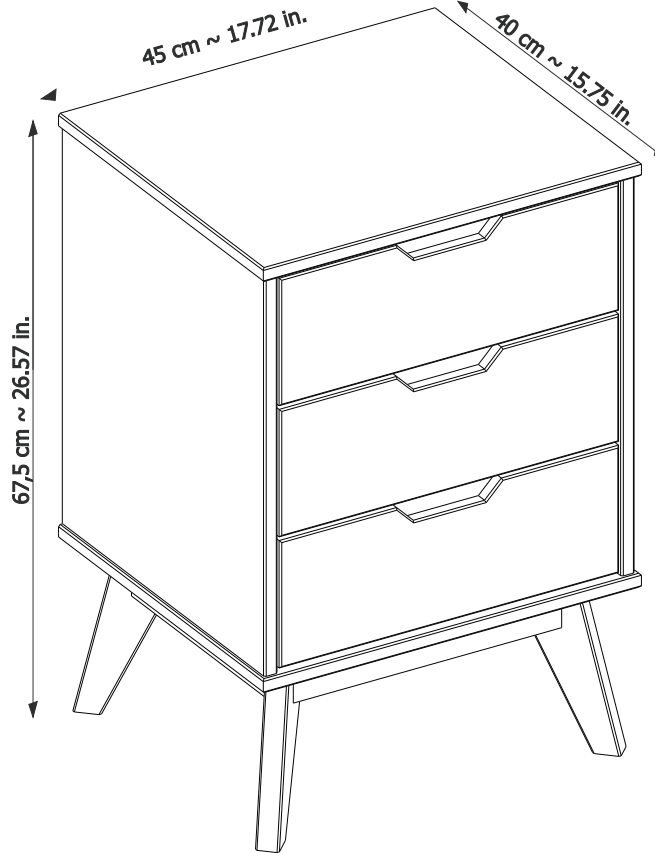
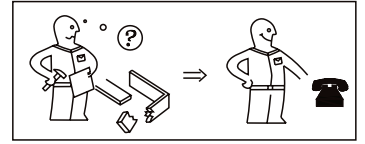
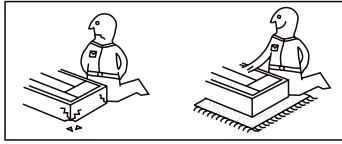
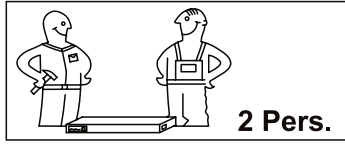
trendfurn

2385 NW Executive Ctr Dr.
Suite 100

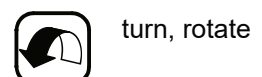
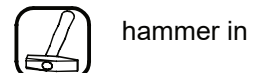
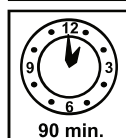
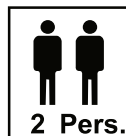
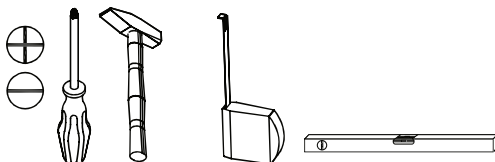
Boca Raton, FL 33431 USA

Telephone: (561) 565-5900

Email: info@trendfurn.com



Required Tools



ASSEMBLY INSTRUCTIONS

Model Name

FAC :#21

SCANDIK

Article Number

137-009

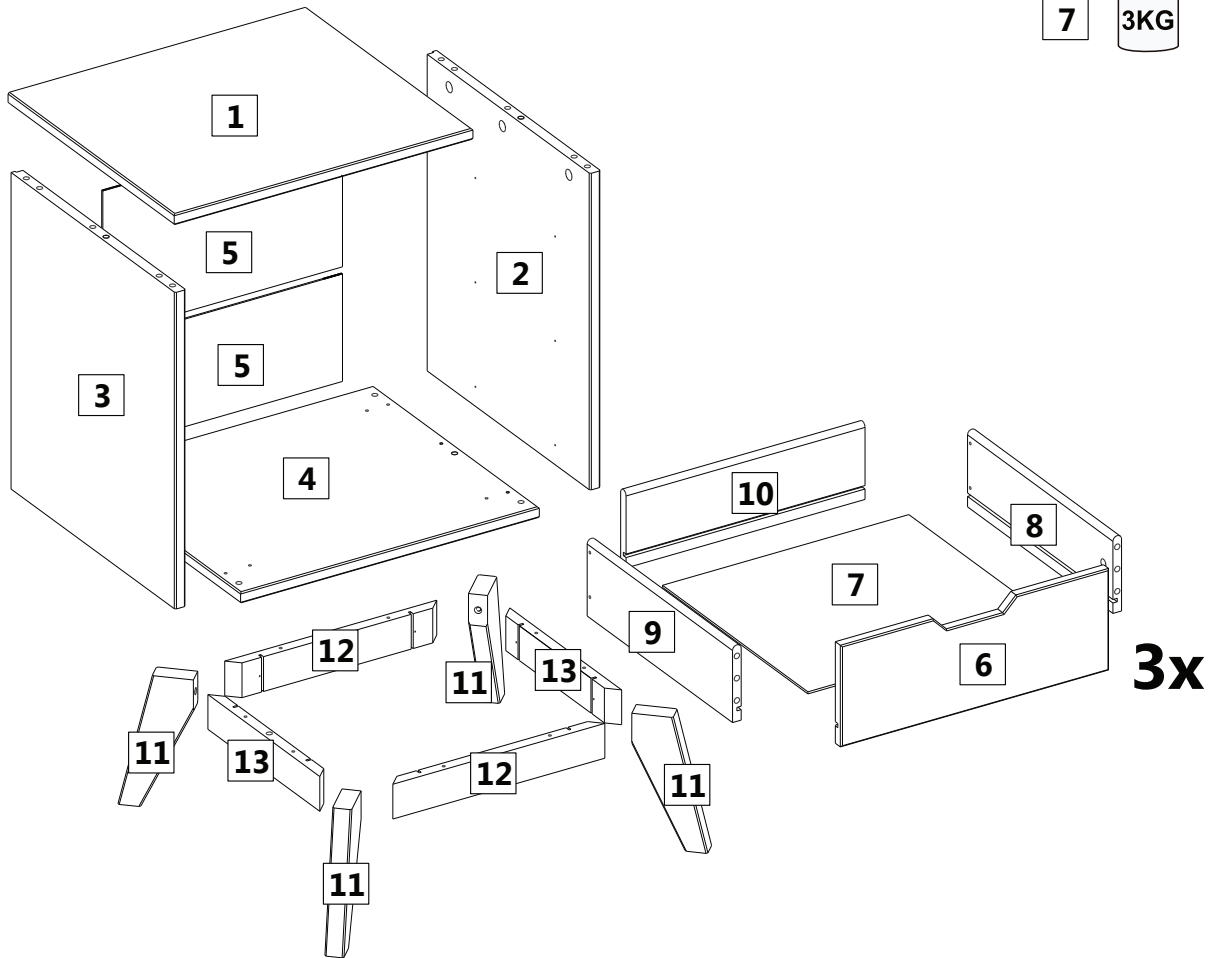
trendfurn

2385 NW Executive Ctr Dr.
Suite 100

Boca Raton, FL 33431 USA
Telephone: (561) 565-5900

Email: info@trendfurn.com

Parts



	max.	max.
1	20KG	44,4 lbs
	max.	max.
7	3KG	6,66 lbs

For replacement parts or assembly assistance please contact us:

Telephone: (561) 565-5900
Email: info@trendfurn.com

ASSEMBLY INSTRUCTIONS

Model Name

Article Number

FAC :#21

SCANDIK

137-009

trendfurn

2385 NW Executive Ctr Dr.
Suite 100
Boca Raton, FL 33431 USA
Telephone: (561) 565-5900
Email: info@trendfurn.com

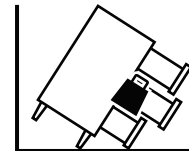
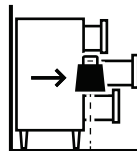
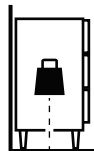
Hardware



B1

A=26x 8x30mm	B=12x 6,0x31mm	C=06x 15x10mm	D=06x 12x10mm	E=25x 3,5x14mm	F=04x 4,0x40mm
G=16x 1,3x10mm	H=03x 	I=07x 4,0x40mm	J=12x 3,5x30mm	K=08x 3,0x16mm	L=01x
M=04x 7x35mm	N=04x 	O=01x 	P=12x 6,0x10mm	Q=08x 4,0x45mm	R=01x
S=01x 	T=02x 				

WARNING



Children have died from furniture tip-over. To reduce the risk of furniture tip-over:

- **Always** install the tip-over restraints that are provided.
- **Never** put a TV on this product without the TV being secured to the wall.
- **Never** allow children to stand, climb or hang on drawer, doors, or shelves.
- **Never** open more than one drawer at a time.
- **Always** place the heaviest items in the lowest drawers.

Use of tip-over restraints, only reduces, but does not eliminate, the risk of tip-over

Dear valued customer,

Thank you for purchasing furniture from our interior programme, exclusively for use in private rooms. Please check the delivery for completeness, carefully read the following important information prior to assembly and retain it for future use, also by third parties.

Our furniture may only be used as intended. Improper use can cause damage to property, or personal injury under certain circumstances. Furniture is not a toy. The manufacturer or distributor assumes no liability for damage caused by unintended use or improper handling.

ATTENTION: Children or persons with a mental disability must be kept away from furniture components, sharp objects, small parts and packaging materials at all times. There is a risk of injury and/or suffocation.

ASSEMBLY: Please observe our operating, assembly or installation instructions for assembly and observe the warnings and safety instructions in particular. Failure to follow instructions may lead to personal injury or damage to the furniture, and can pose a safety risk. Please contact our service team if you have problems with setup/assembly. They will be happy to help you. Assembly may only be carried out by competent persons. No liability for damage is assumed in case of changes to the product/product components or the replacement/use of parts/consumables not provided by the manufacturer/distributor.

If wall mounting materials such as dowels or screws are included with the product, these are intended exclusively for use on solid walls made of uniform materials. Attachment is only as good as the connection between the mounting materials and the wall. For both standing and hanging furniture, check your wall for suitability prior to attachment and only use suitable mounting materials. Ensure there are no lines in the drilling zone before drilling any holes. Ultimately, the installer is responsible for the attachment to the wall.

This also applies to the installation of electrical appliances and other structural accessories. The assembly/installation of electrical appliances and other structural accessories must be performed exclusively by authorised, qualified personnel. All electrical and structural installations must be carried out according to the respective applicable standards and safety regulations in your federal state. Only use approved illuminants for light sources. There is a risk of overheating and fire if the maximum wattage is exceeded. Covering illuminants is prohibited due to the risk of fire.

Proper functioning of the furniture requires plumb and horizontal alignment. The doors are pre-adjusted, but may have to be readjusted due to local conditions. Be sure to observe the weight specifications for maximum loads. Climbing on furniture is prohibited. Furniture may tip over in case of improper use. To prevent this, furniture should always be secured against tipping over. There is a risk of breakage and injury in case of overloading (in particular by playing children, people, materials or other prohibited loads). All screws and load-bearing connections should be re-tightened after 5 to 6 weeks to ensure permanent stability.

CARE :

- Notes on furniture care -

Please observe our information on proper furniture care to ensure you can enjoy our product for a long time.

Use a clean, dry, soft cotton cloth for cleaning. If your furniture is heavily soiled, you may moisten the cloth with some water or furniture cleaner and dry the cleaned elements afterwards. Metal and glass components are best cleaned with conventional metal and glass cleaners according to the instructions provided for them. The cleaning agents must be clearly identified as being suitable for furniture care.

Do not use steam cleaners, corrosive, scouring cleaning agents or other cleaners with unknown effects under any circumstances.

ATTENTION: High-gloss surfaces are covered by a protective film on delivery. Leave this on the furniture until it has been fully assembled and dusted. Once the protective film is removed, high-gloss elements may only be cleaned and used after 72 hours (time for post-curing in room air).

Do not damage surfaces with sharp objects and never expose them to strong sunlight.

DISPOSAL

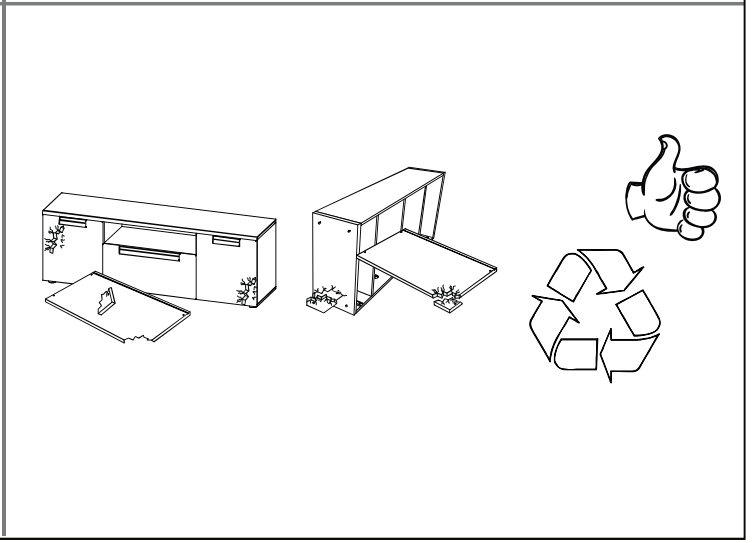
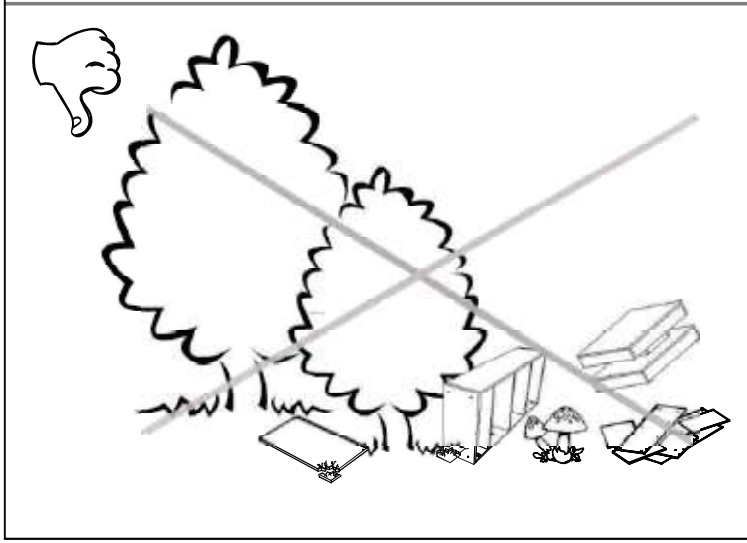
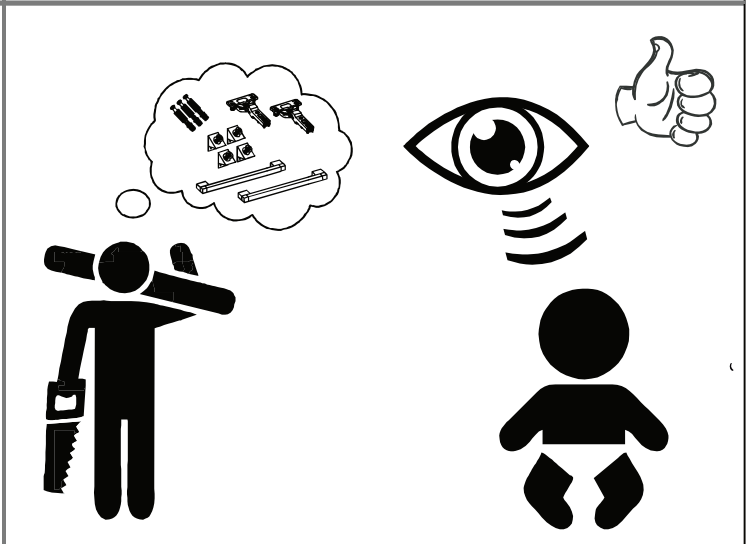
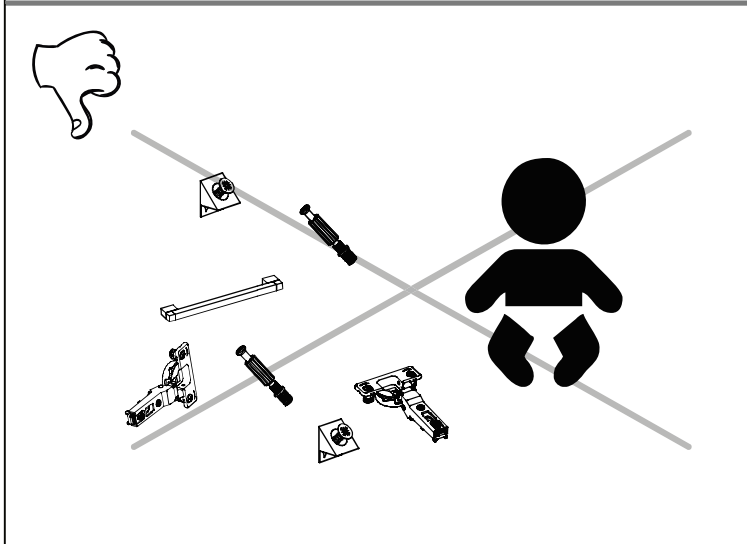
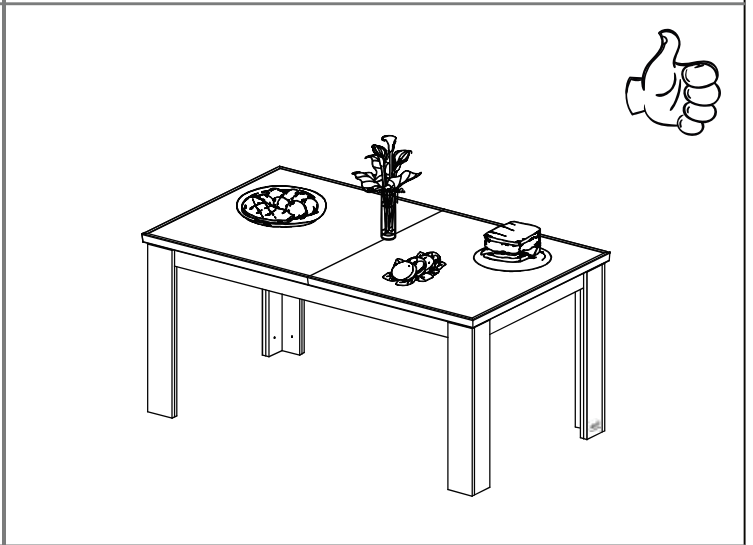
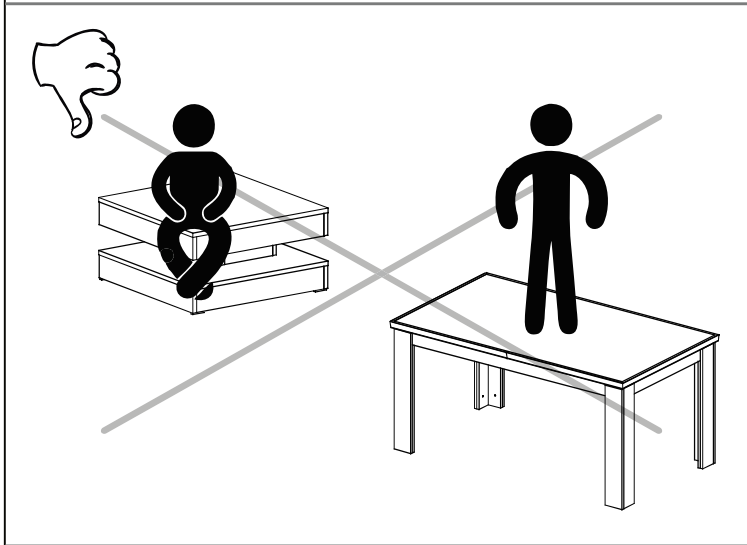
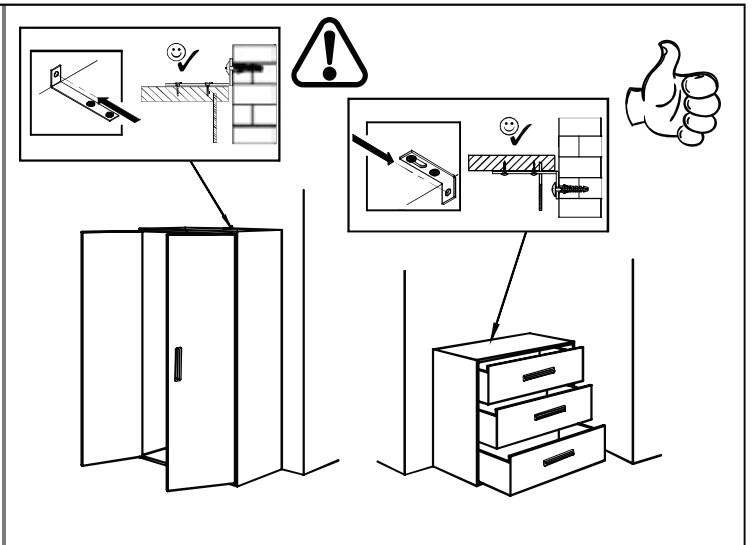
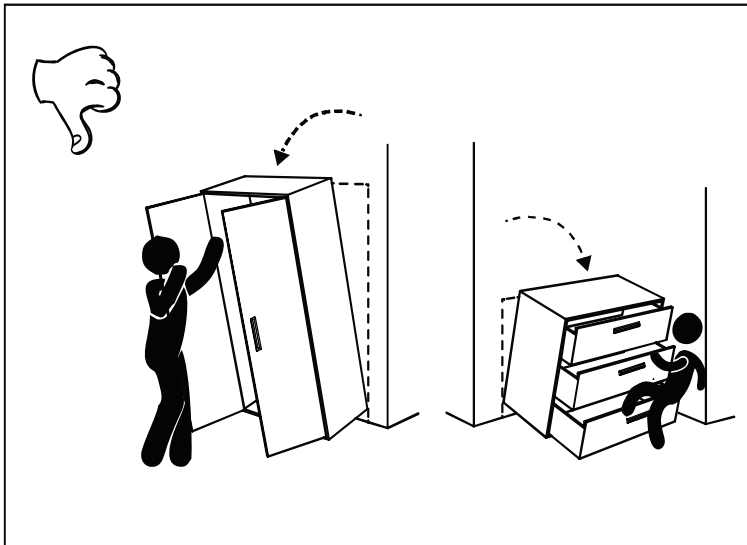
- Notes on waste disposal -

For the good of the environment, please sort the packaging for disposal, use the waste/recycling bins provided and do not litter.

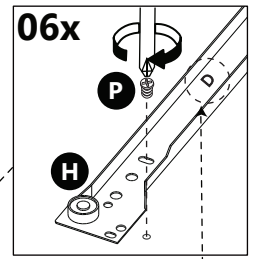
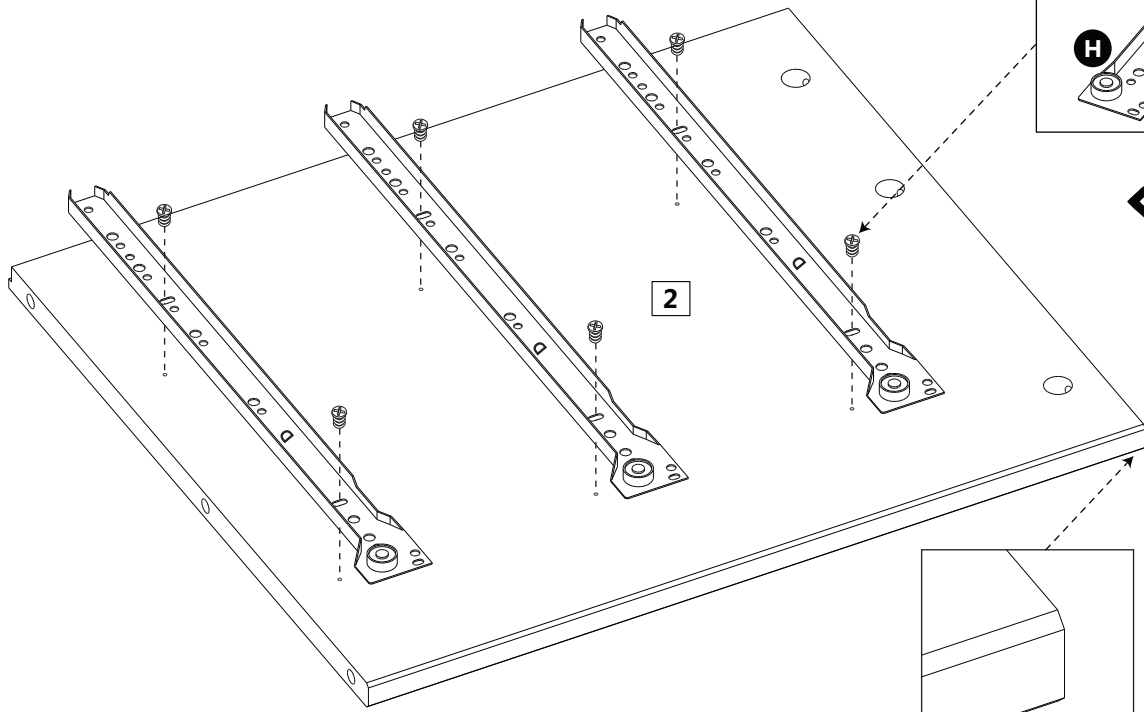
Damaged or unusable furniture can be recycled by special facilities for the recycling of components.

Disused furniture that is still functional does not have to be discarded. Consider donating it to a charitable organisation.

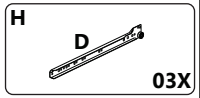
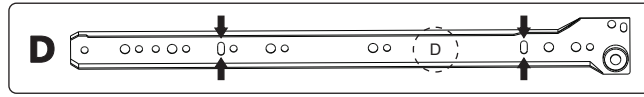
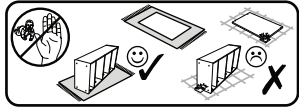
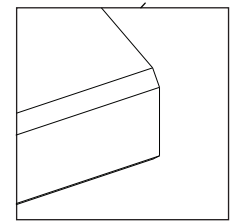
We hope you enjoy your new furniture.



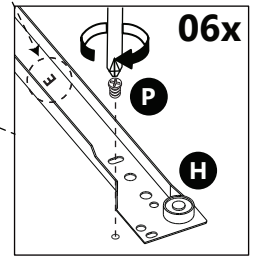
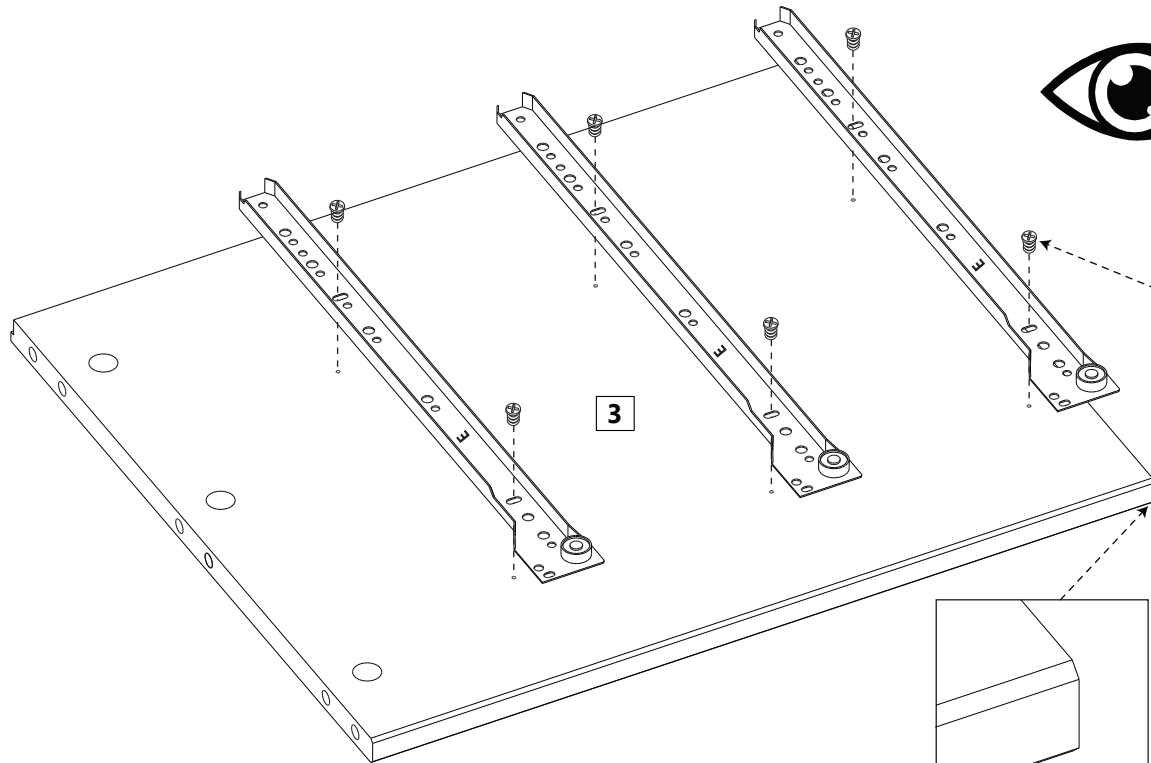
1



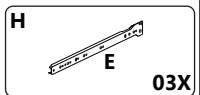
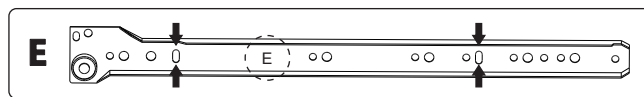
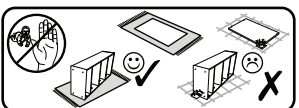
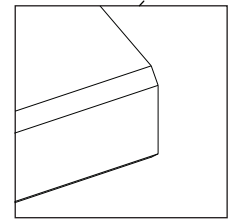
2



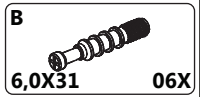
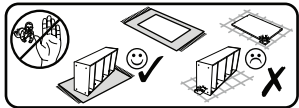
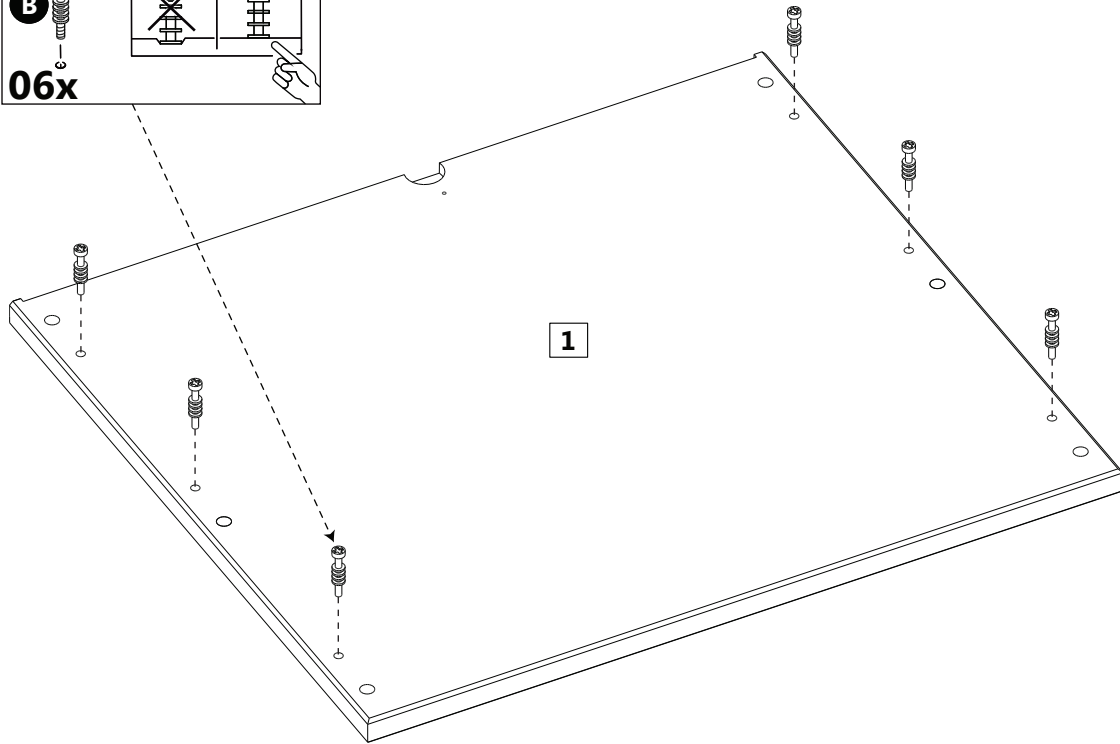
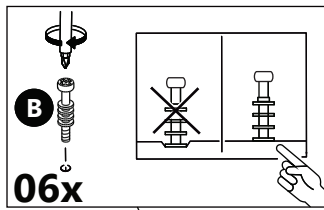
2



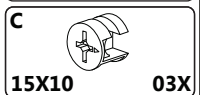
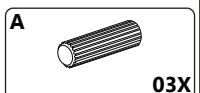
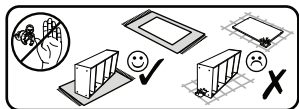
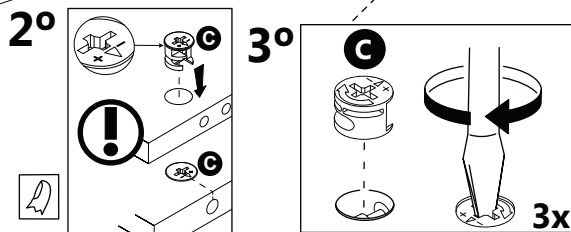
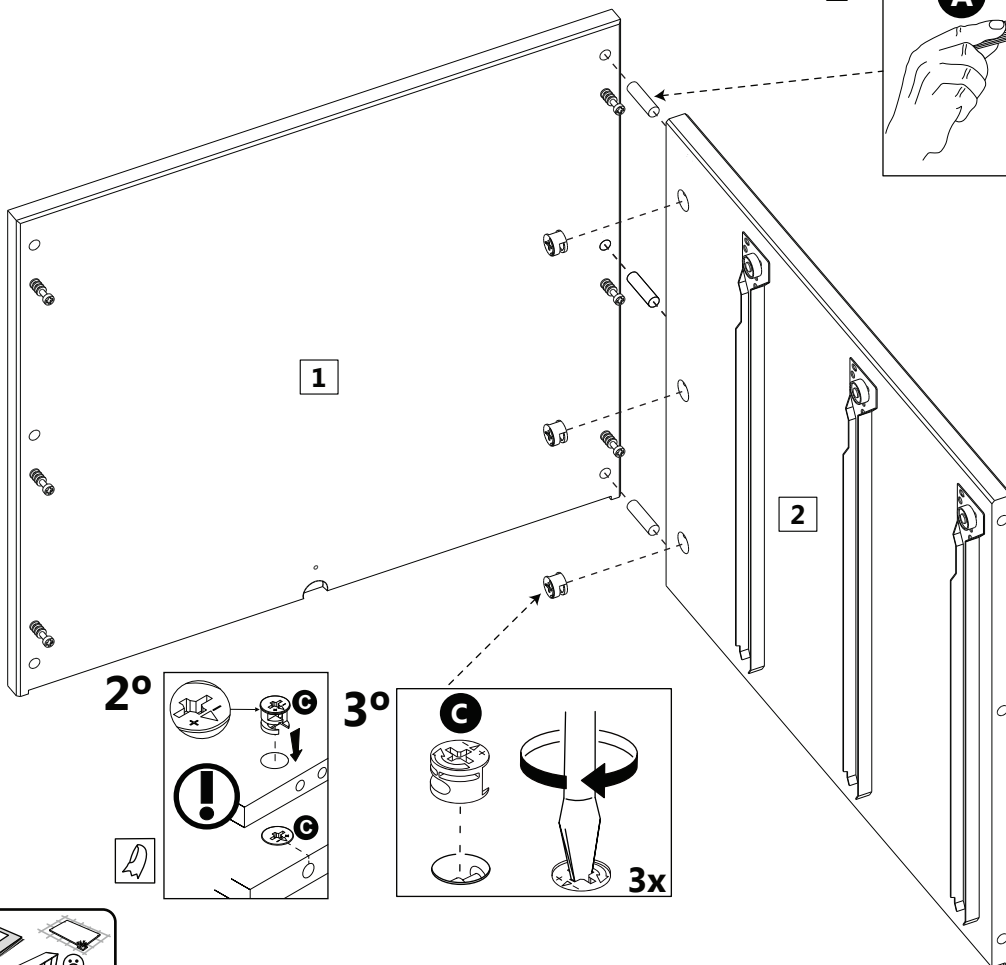
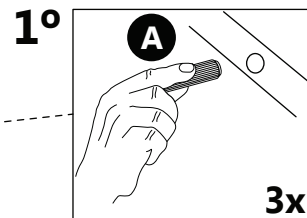
3



3

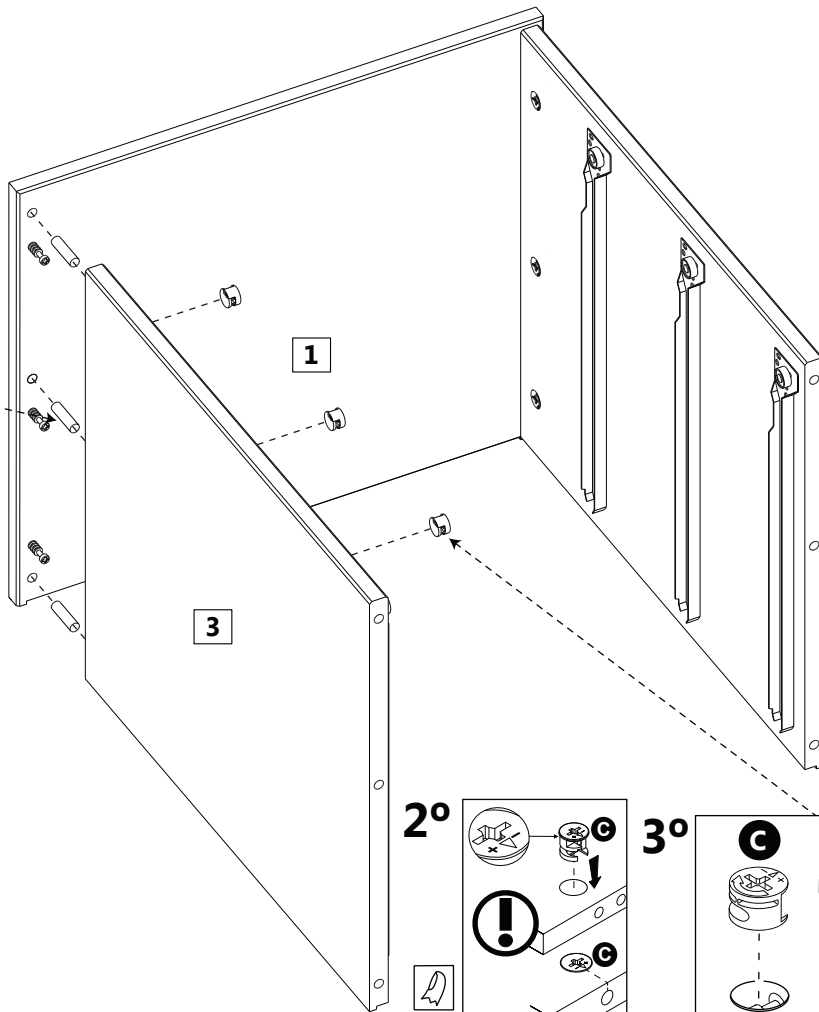
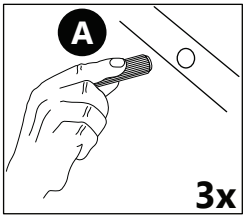


4

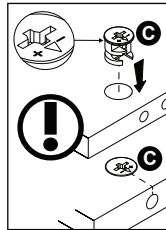


5

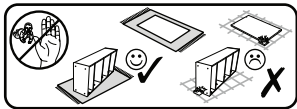
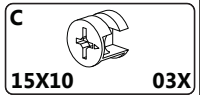
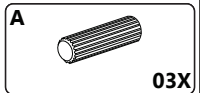
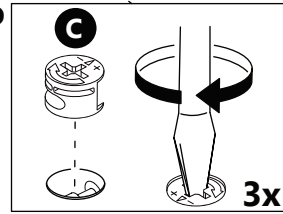
1°



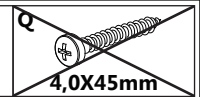
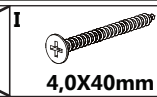
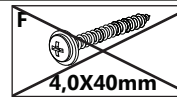
2°



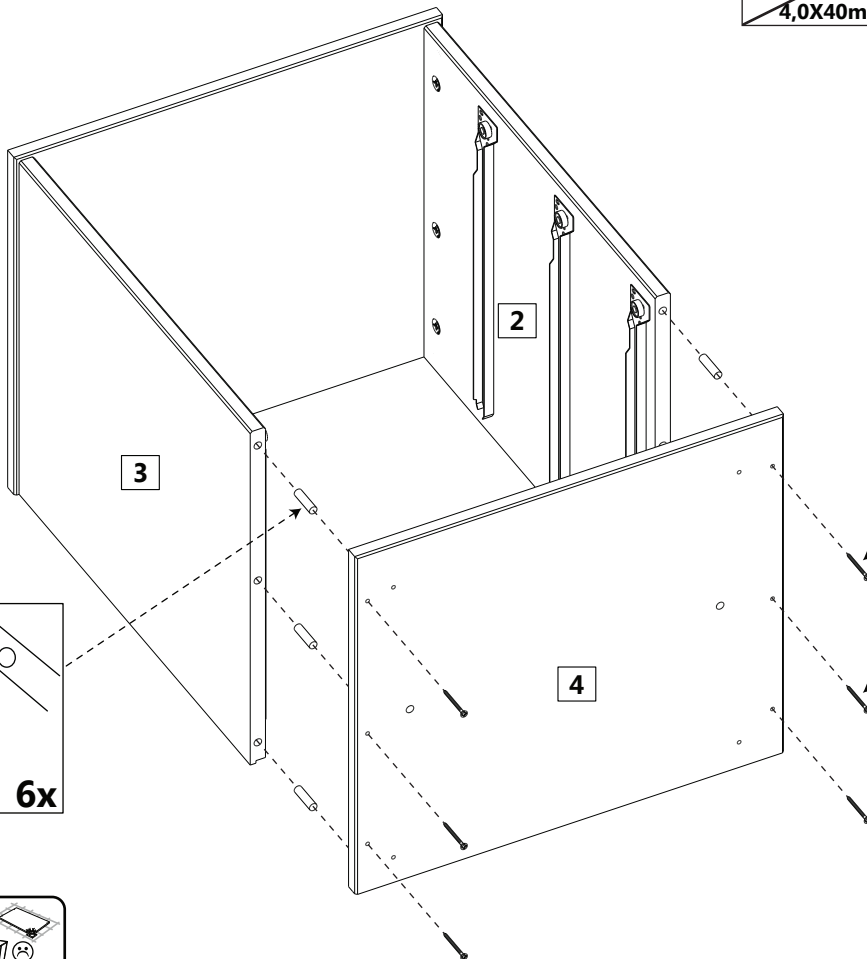
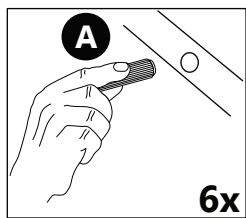
3°



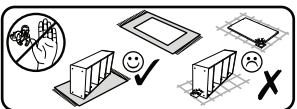
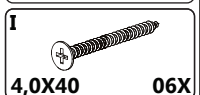
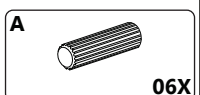
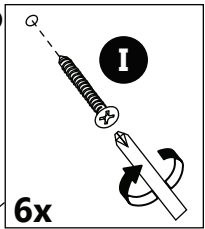
6



1°

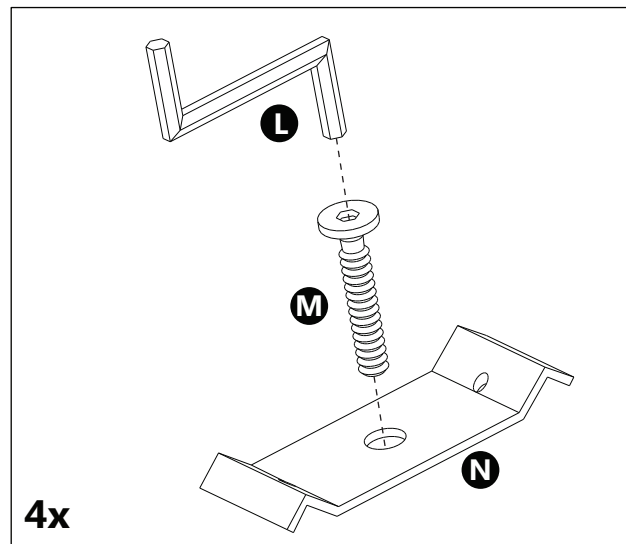
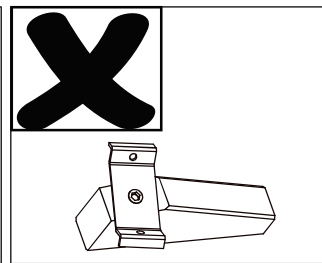
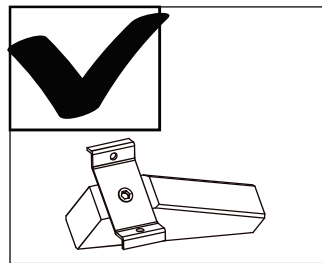
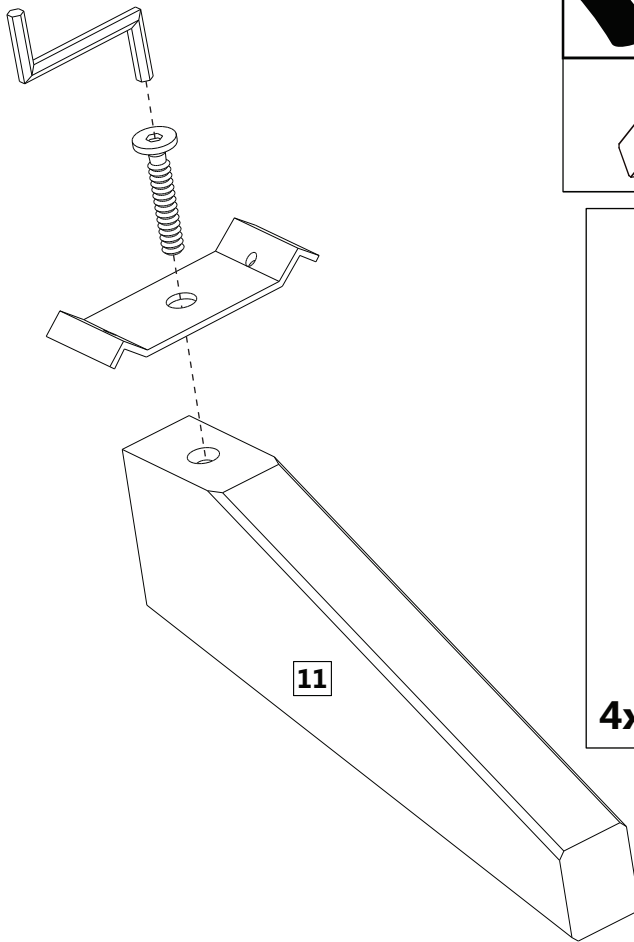


2°

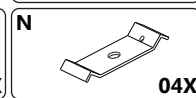
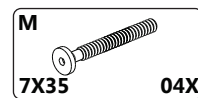
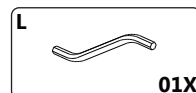
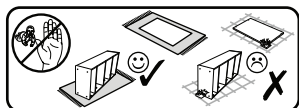


7

4x

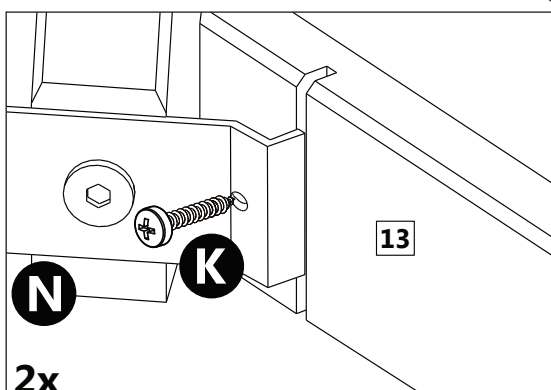
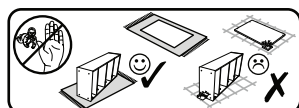
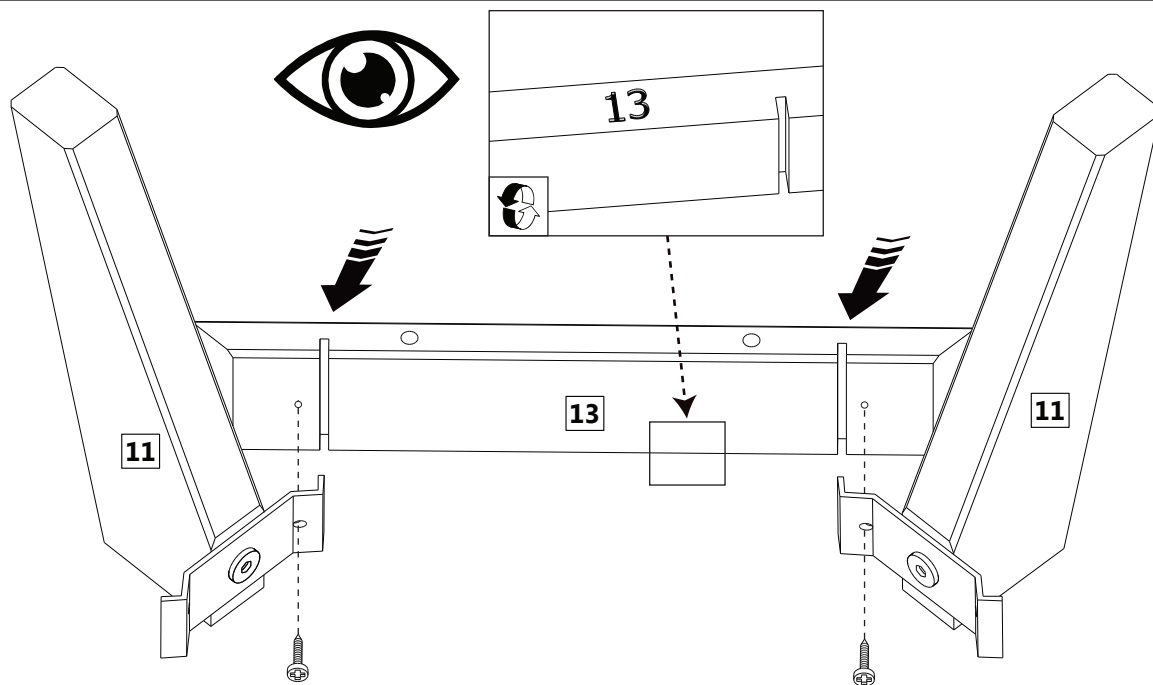


4x

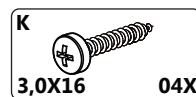


8

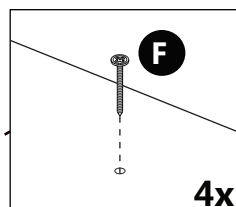
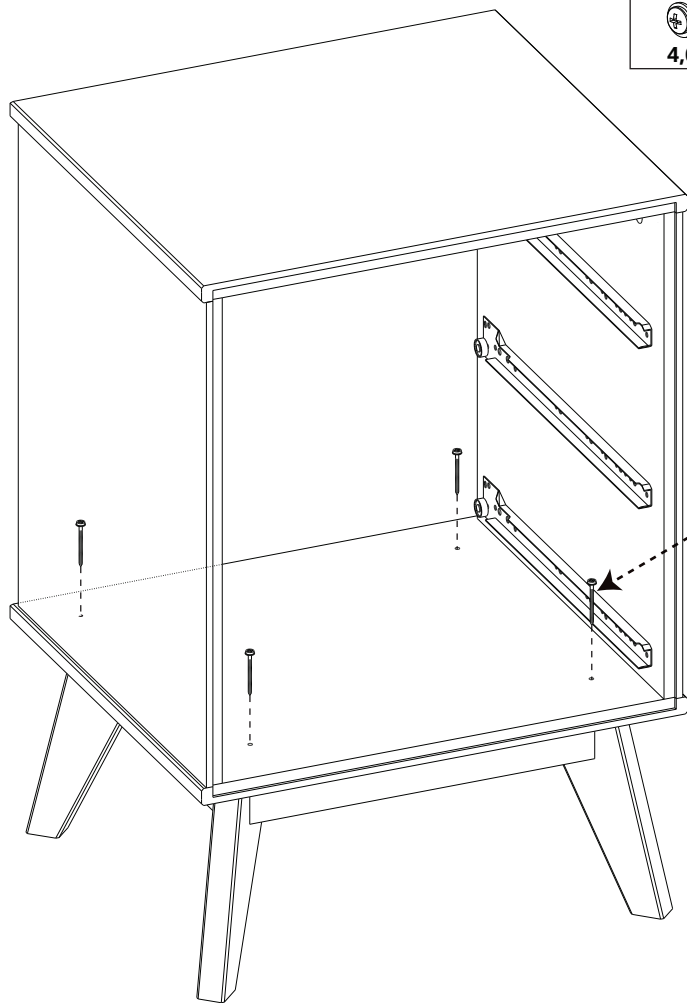
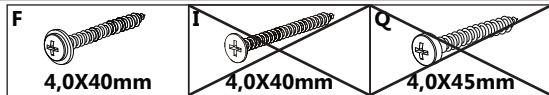
2x



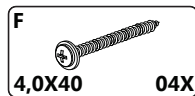
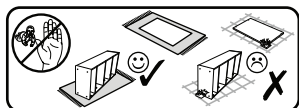
2x



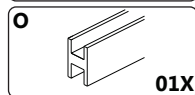
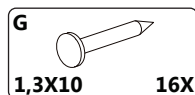
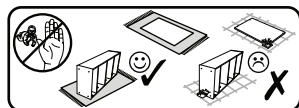
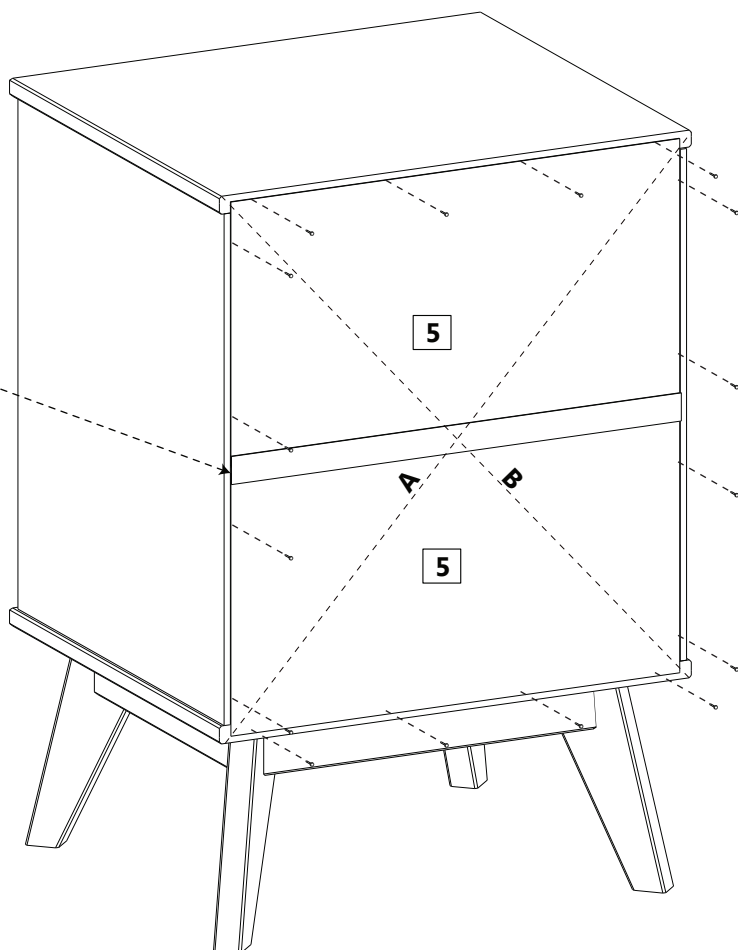
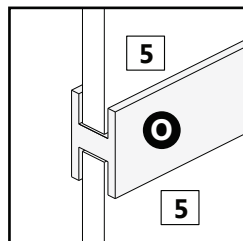
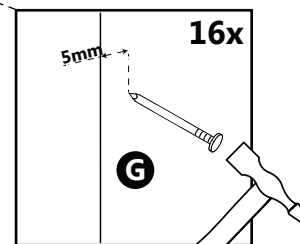
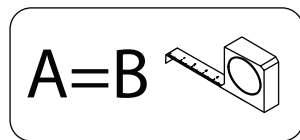
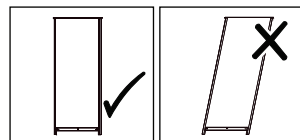
11

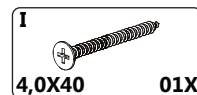
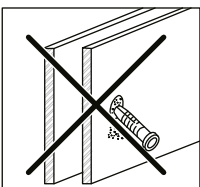
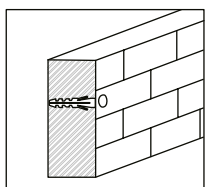
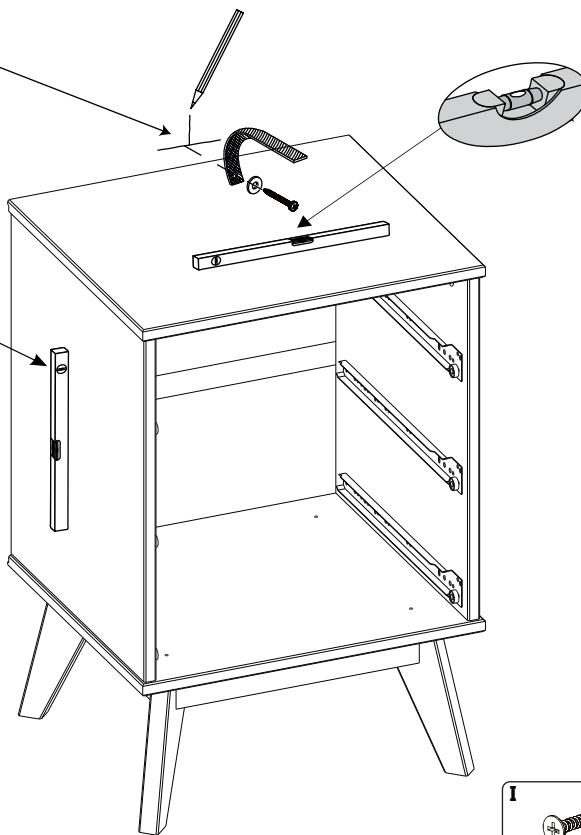
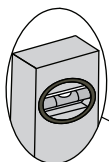
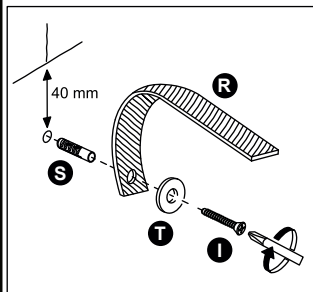
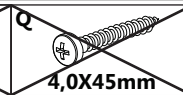
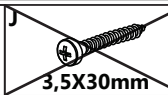
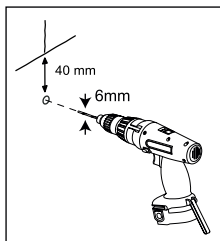
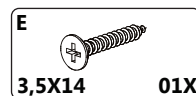
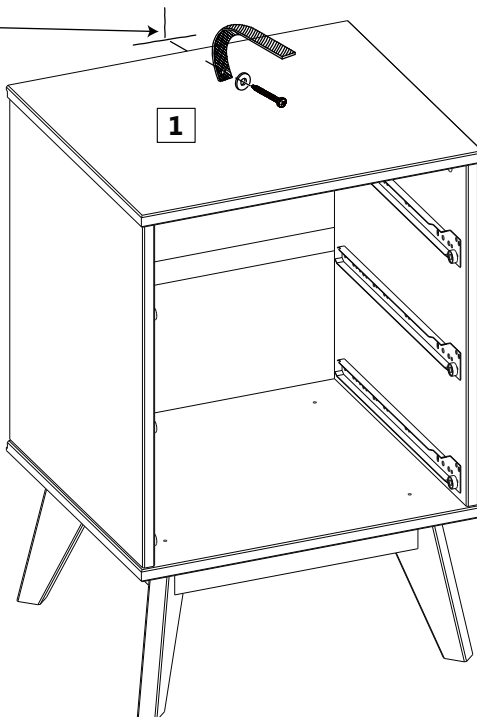
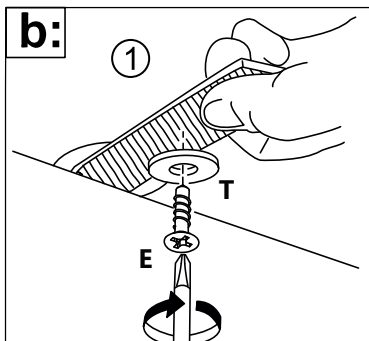
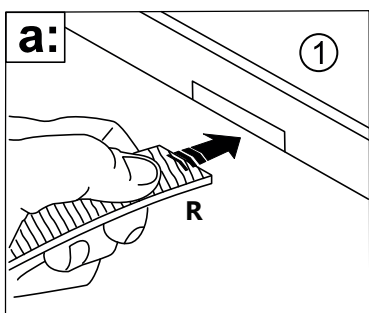


180°



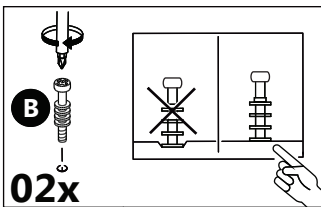
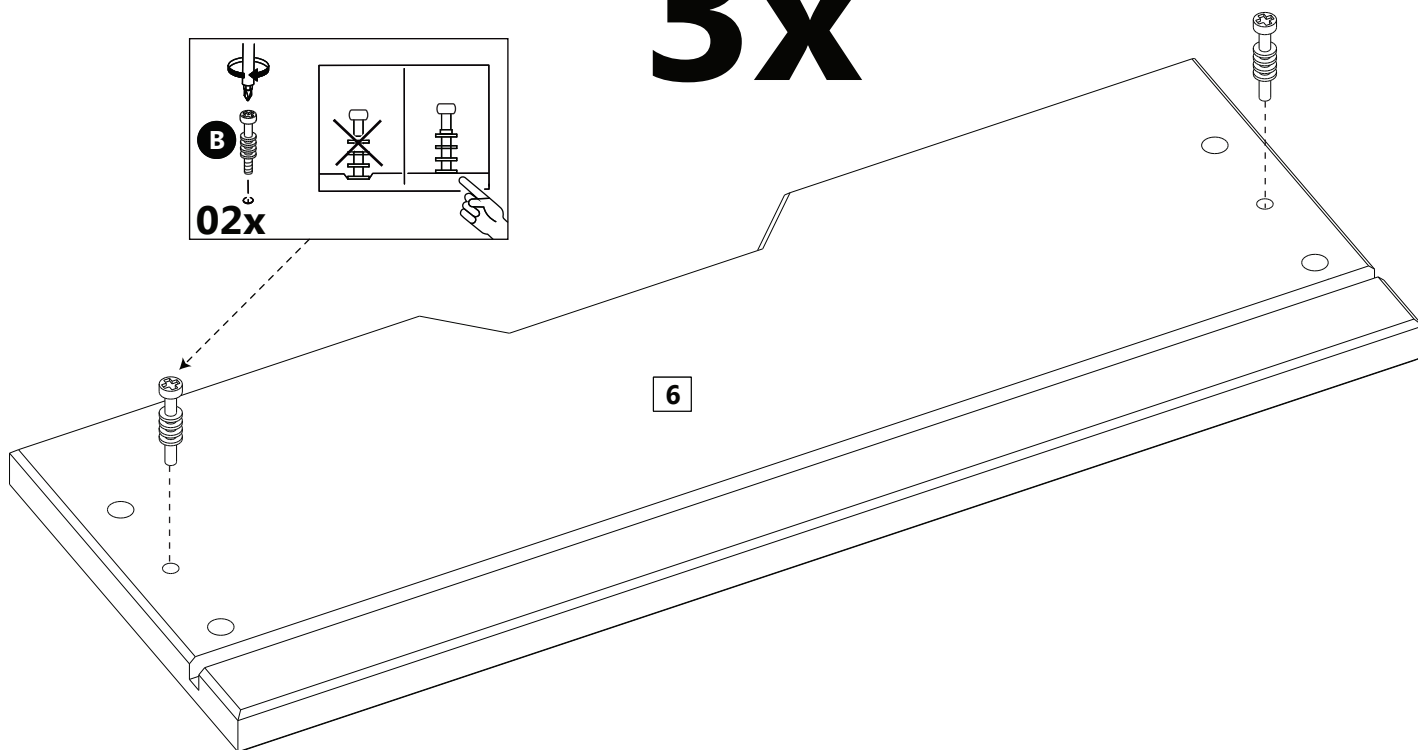
12



13**14**

15

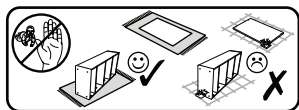
3x



B
02x

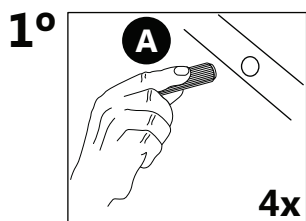
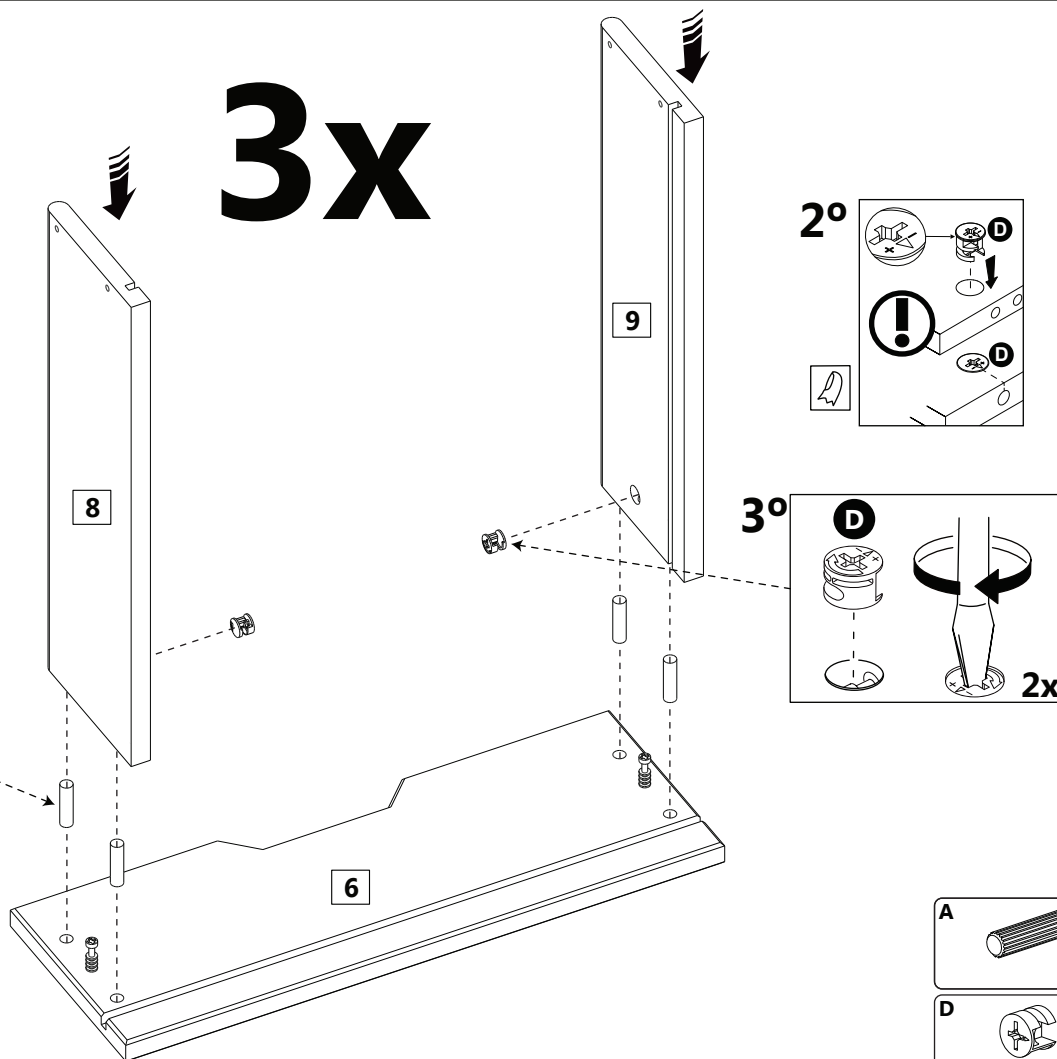
6

B
6,0X31 06X



16

3x



1°

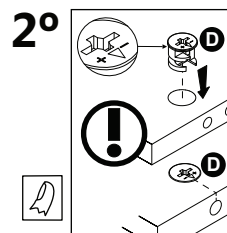
A

4x

8

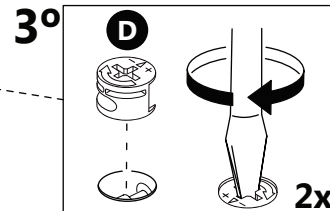
9

6



2°

D

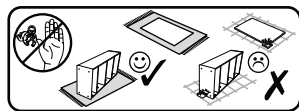


3°

D

2x

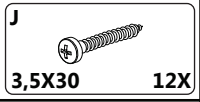
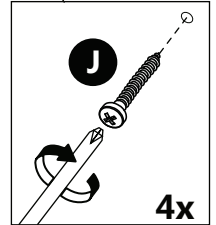
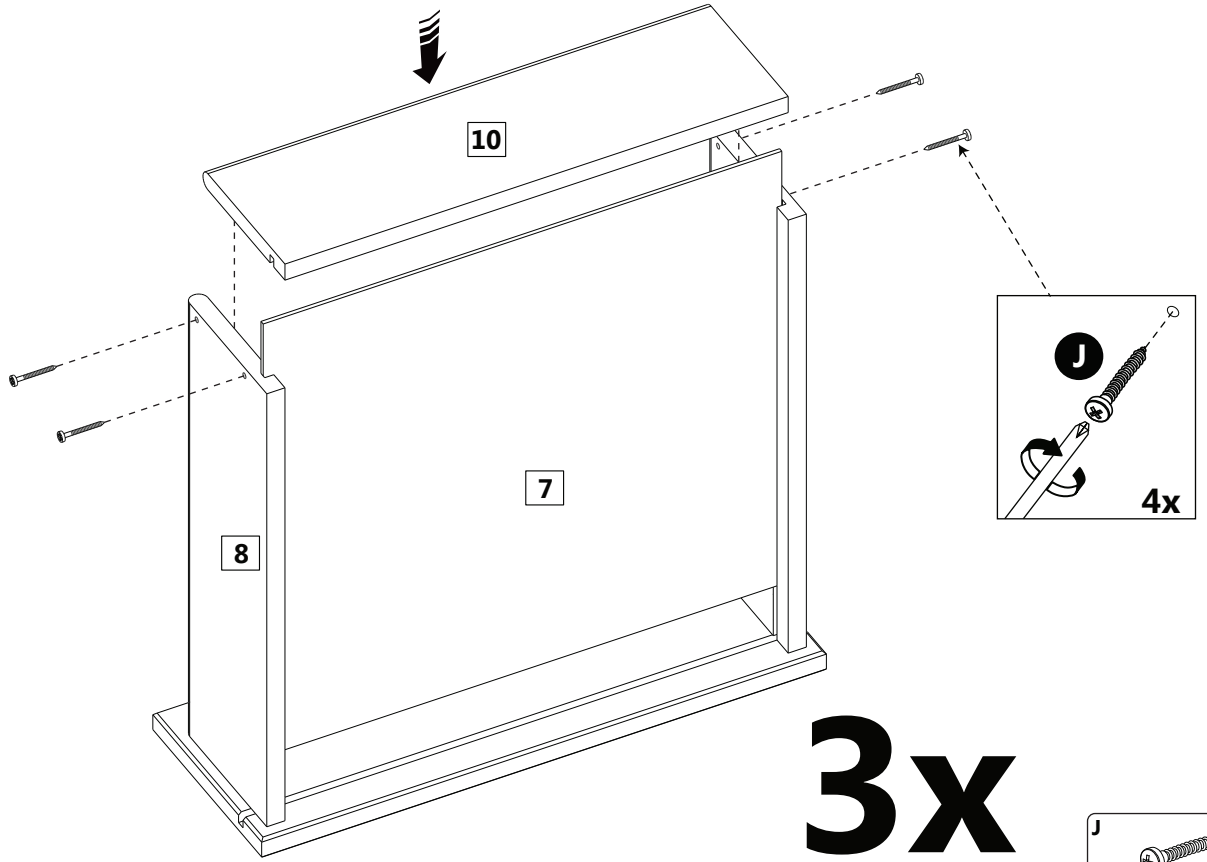
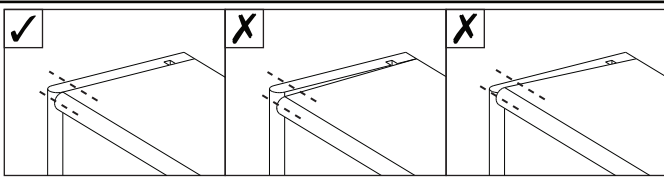
90°



A
12X

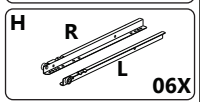
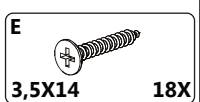
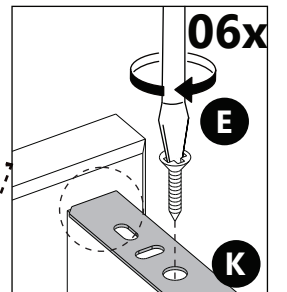
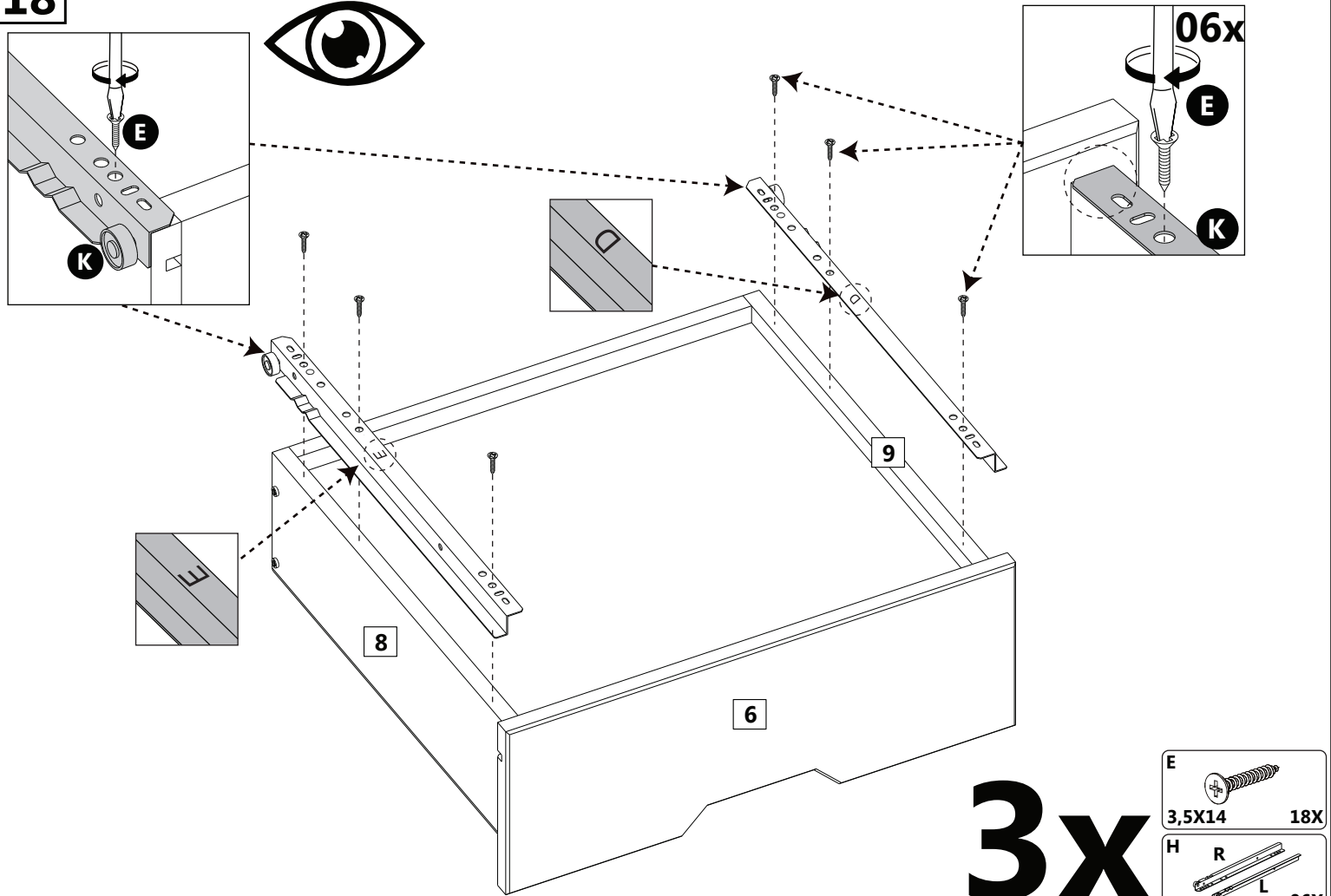
D
12X10 06X

17



3x

18



3x

