

# Wall Sconces Fixture

## Model# JK-WS007



### PACKAGE CONTENTS



Wall Sconces Fixture



Wire Nuts



Screws



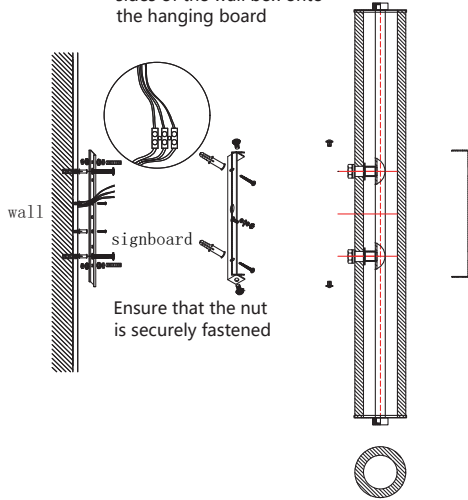
Plastic Expansion Pipes

### How to install the Wall Sconces Fixture

1

1. Use a hanging board on the wall to determine the location for drilling holes.  
Fix the hanging board on the wall.

2. Lock the upper and lower sides of the wall box onto the hanging board.



2



### Maintenance

1. Voltage: 85-265V
2. Turn off the power before clean out
3. Please wash with the sanitizer without corrosivity.
4. Please install according to the installation manual.