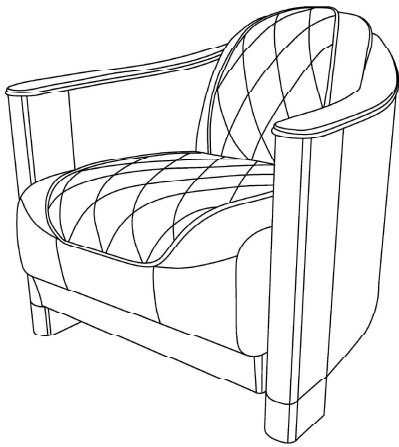


Installation & Assembly



PARTS



Ax8+1Ext



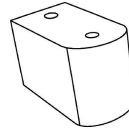
Bx8+1Ext



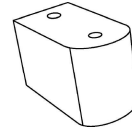
Cx8+1Ext



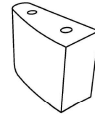
Dx1



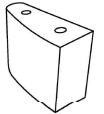
Ex1



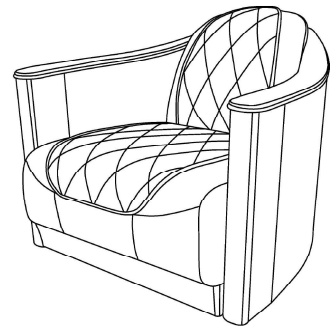
Fx1



Gx1

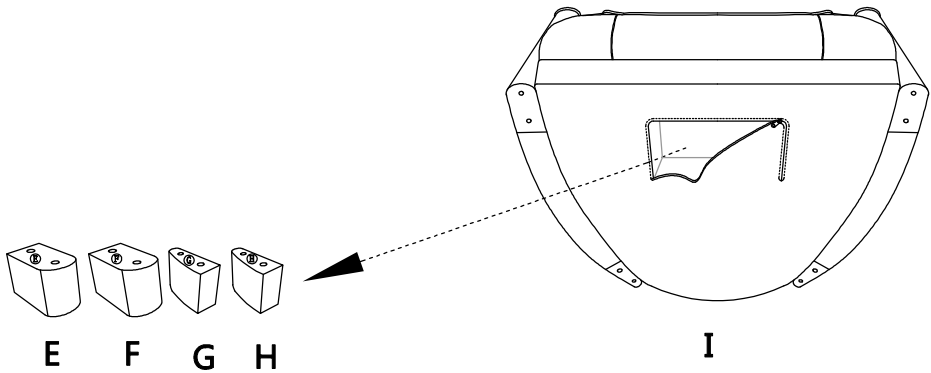


Hx1



I x1

STEP1



STEP2

